



US00D780864S

(12) **United States Design Patent**
Hawkins

(10) **Patent No.:** **US D780,864 S**

(45) **Date of Patent:** **** Mar. 7, 2017**

(54) **GOLF PUTTER HEAD**

(71) Applicant: **Jerry Claude Hawkins**, Rockville, MD
(US)

(72) Inventor: **Jerry Claude Hawkins**, Rockville, MD
(US)

(**) Term: **15 Years**

(21) Appl. No.: **29/505,185**

(22) Filed: **Jul. 13, 2015**

(51) **LOC (10) Cl.** **21-02**

(52) **U.S. Cl.**
USPC **D21/743; D21/738**

(58) **Field of Classification Search**
USPC D21/736-746
CPC ... A63B 53/00; A63B 53/065; A63B 53/0487;
A63B 53/007; A63B 53/04
See application file for complete search history.

D405,491 S	2/1999	Bizovi	
D410,718 S *	6/1999	Christensen	D21/744
D415,229 S *	10/1999	Christensen	D21/744
D425,951 S *	5/2000	Davis	D21/736
6,176,791 B1 *	1/2001	Wright	A63B 53/0487 473/252
D438,923 S	3/2001	Broom	
D441,820 S *	5/2001	Nicolette	D21/738
D446,562 S *	8/2001	Forzano	D21/736
D450,799 S *	11/2001	Nicolette	D21/736
D458,657 S *	6/2002	Shmoldas	D21/743
D468,381 S *	1/2003	Parker	D21/738
D481,088 S *	10/2003	Mader	D21/736
D487,295 S *	3/2004	Smith	D21/736
D489,780 S *	5/2004	Sloboda	D21/738
D513,295 S *	12/2005	Johnson	D21/743
D518,126 S	3/2006	Sloboda	
D715,878 S *	10/2014	Gishi	D21/738
D721,146 S *	1/2015	Hough	D21/744
D722,661 S *	2/2015	Hough	D21/743
D722,662 S *	2/2015	Hough	D21/744

* cited by examiner

Primary Examiner — Mitchell Siegel

(56) **References Cited**

U.S. PATENT DOCUMENTS

D187,658 S *	4/1960	Holdstein	D21/728
3,042,405 A *	7/1962	Solheim	A63B 53/007 473/313
D202,504 S *	10/1965	Citro	D21/736
3,595,582 A *	7/1971	Chapman	A63B 53/0487 473/244
4,881,737 A *	11/1989	Mullins	A63B 53/065 403/84
D306,629 S	3/1990	Shearer	
D325,949 S	5/1992	Harris, Jr.	
D357,519 S *	4/1995	Ellickson	D21/738
5,700,207 A *	12/1997	Guthrie	A63B 53/0487 473/313
D391,329 S *	2/1998	English	D21/738

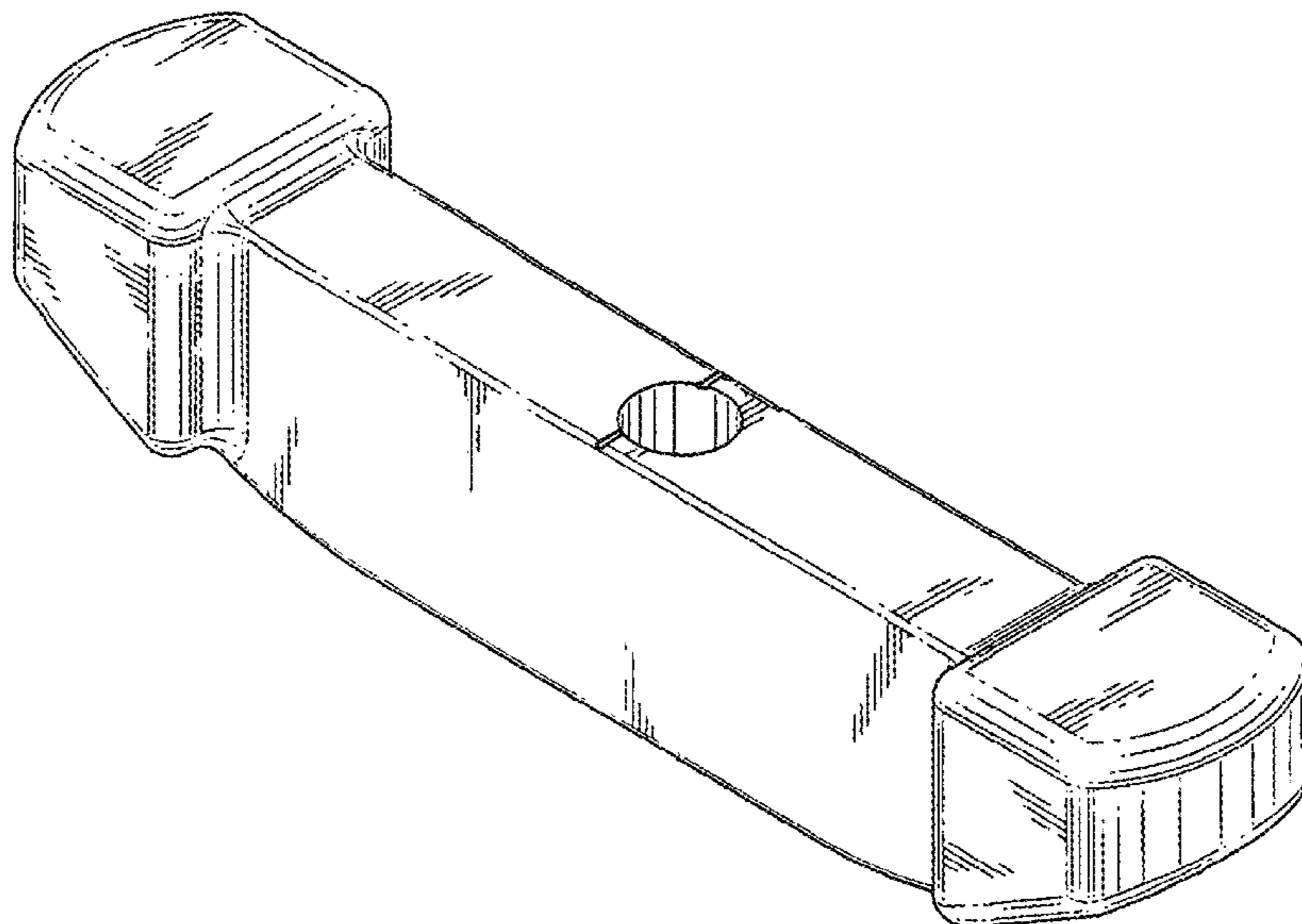
(57) **CLAIM**

I claim the ornamental design for a golf putter head, as shown.

DESCRIPTION

FIG. 1 is the top plan view of a golf putter head showing my new design;
FIG. 2 is a left side elevation view thereof;
FIG. 3 is a right side elevation view thereof;
FIG. 4 is a front elevation view;
FIG. 5 is a rear elevation view;
FIG. 6 is a bottom plan view; and,
FIG. 7 is a left side perspective view.

1 Claim, 7 Drawing Sheets



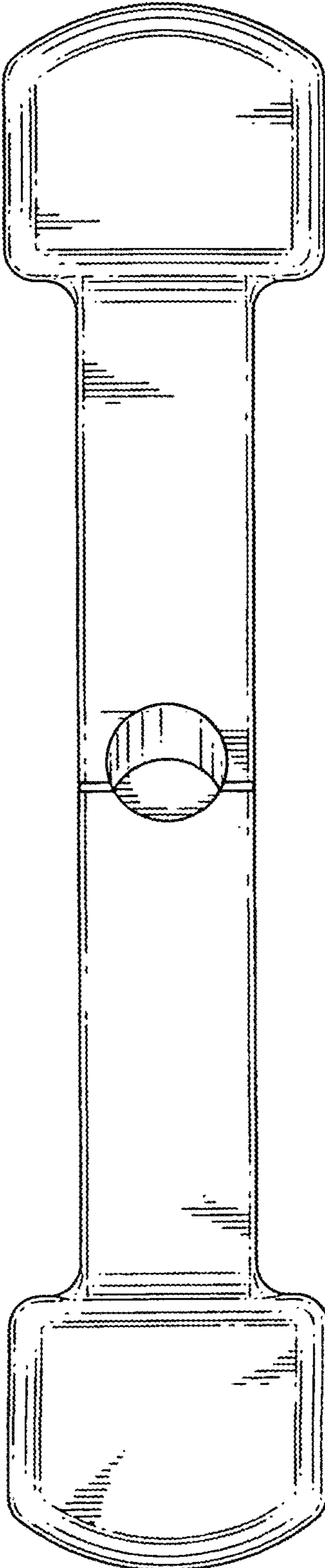


FIG.1



FIG. 2

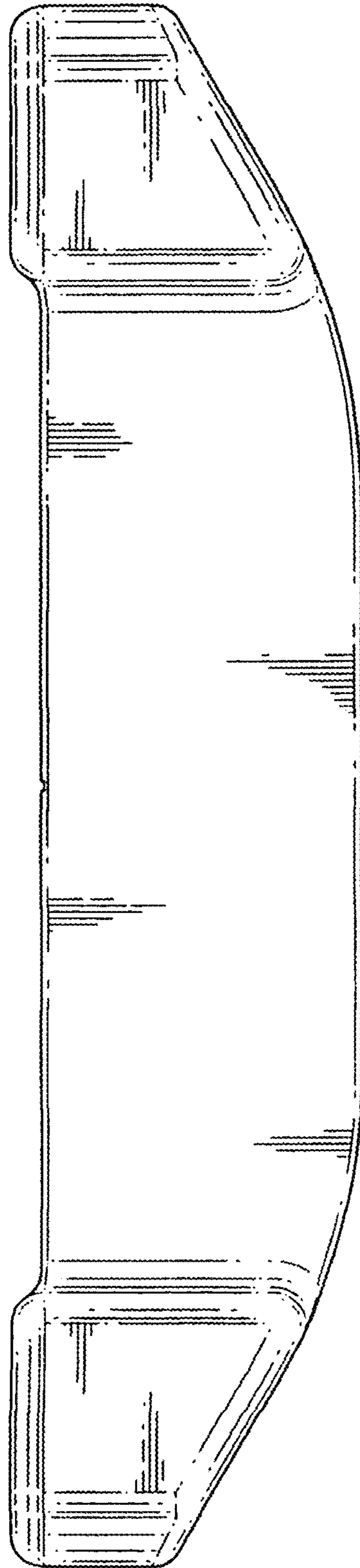


FIG. 3

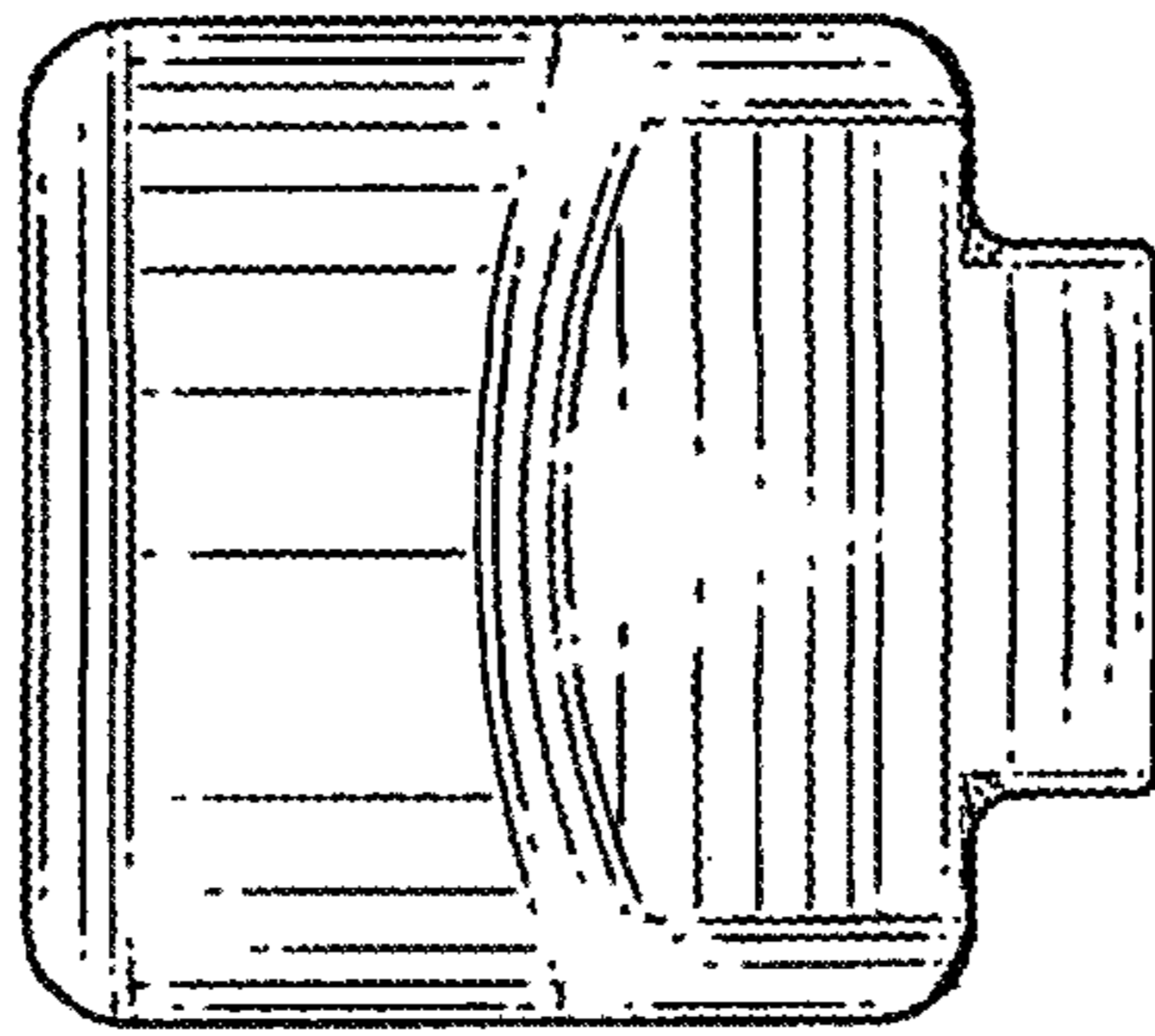


FIG.4

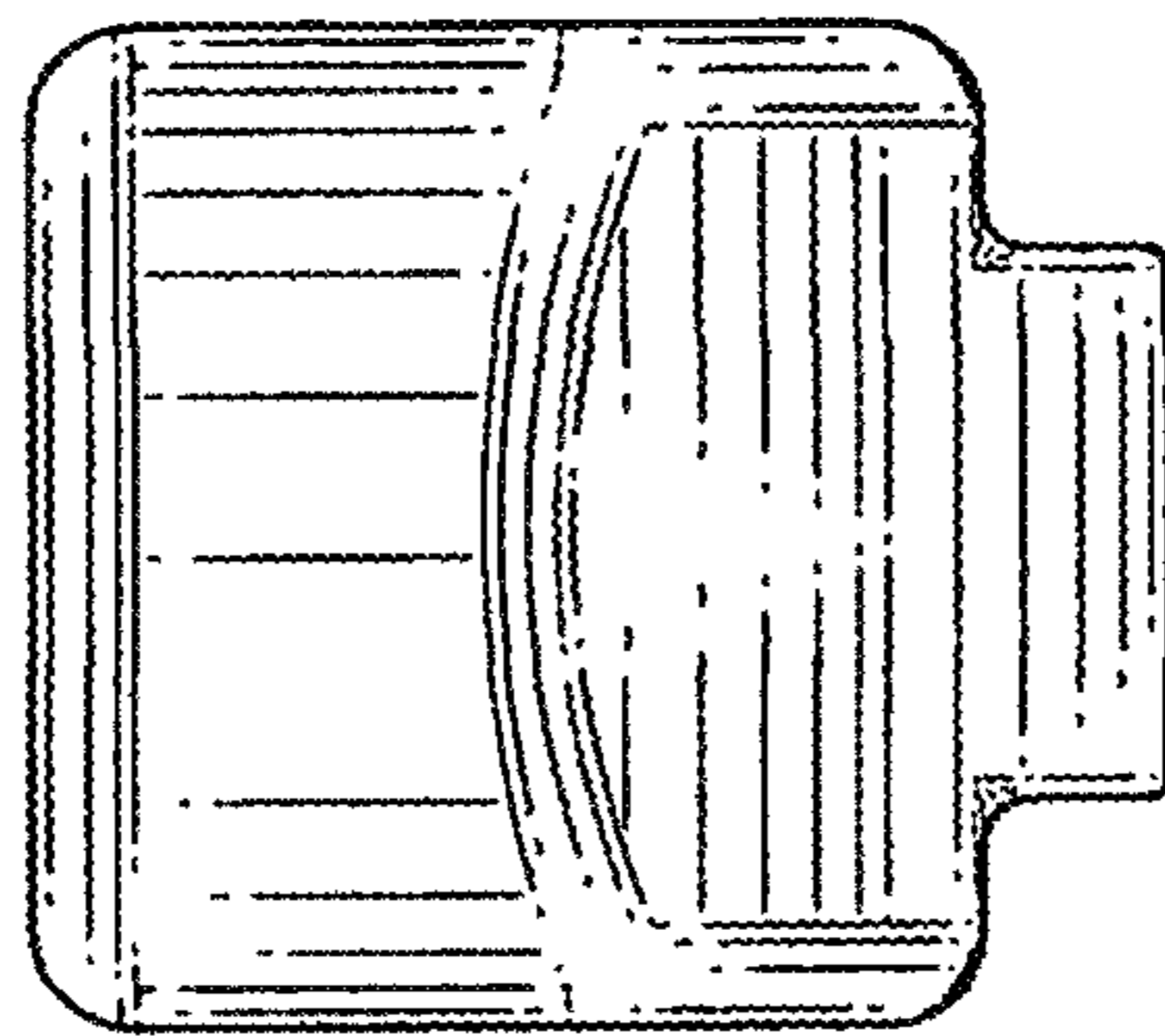


FIG. 5

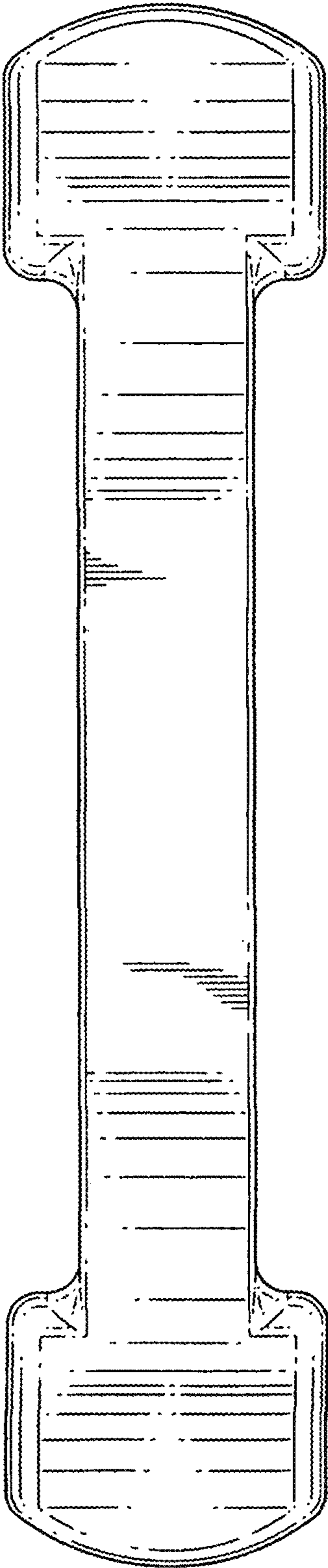


FIG. 6

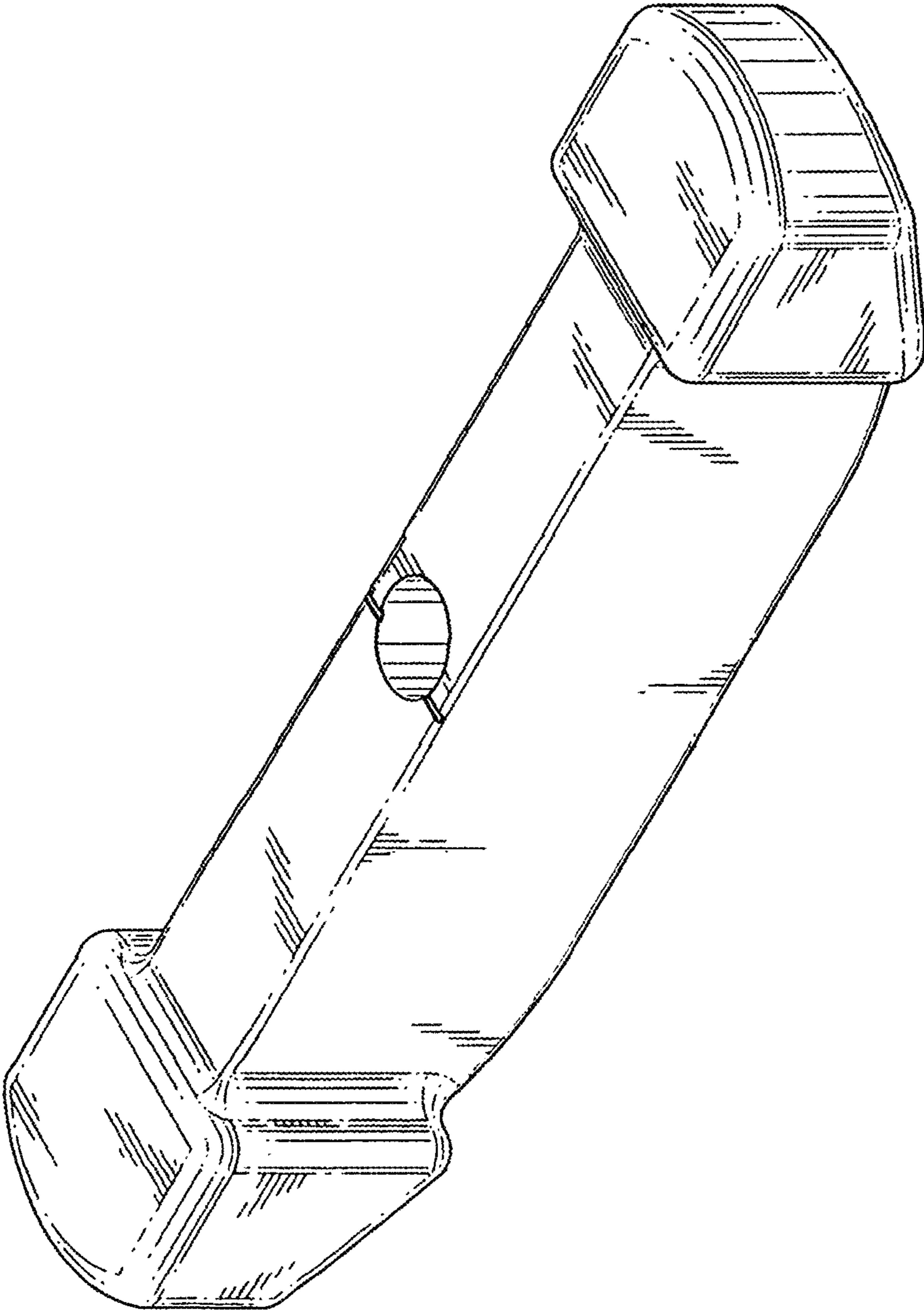


FIG. 7