



US00D780858S

(12) **United States Design Patent** (10) **Patent No.:** **US D780,858 S**
Pfaff (45) **Date of Patent:** **** Mar. 7, 2017**

(54) **WEIGHTED BACKPACK** 4,986,536 A * 1/1991 Zane A63B 21/4001
 224/266
 (71) Applicant: **Josh Pfaff**, Pontiac, IL (US) 5,211,615 A 5/1993 Sides
 5,299,999 A * 4/1994 Brine A63B 21/065
 221/210
 (72) Inventor: **Josh Pfaff**, Pontiac, IL (US) D354,975 S * 1/1995 Penn 224/910
 5,417,635 A 5/1995 Sell
 5,472,398 A * 12/1995 Silverman A63B 21/4001
 482/105
 (**) Term: **15 Years** 5,957,818 A * 9/1999 Betournay A63B 21/065
 482/105
 (21) Appl. No.: **29/529,617** 6,323,407 B1 * 11/2001 May G10D 13/00
 248/443
 (22) Filed: **Jun. 9, 2015**

Related U.S. Application Data

(63) Continuation of application No. 13/826,445, filed on Mar. 14, 2013, now abandoned.
 (51) **LOC (10) Cl.** **21-02**
 (52) **U.S. Cl.**
 USPC **D21/683**
 (58) **Field of Classification Search**
 USPC 482/54, 140, 142, 123, 121, 122, 129,
 482/130, 96, 52, 57, 907, 126, 131, 145,
 482/144, 112, 134, 26, 27, 77, 125, 132,
 482/92, 95, 91, 128, 68, 141; D21/687,
 D21/686, 669, 673, 690, 691, 694, 676,
 D21/674, 670, 663, 662, 423, 695, 688;
 D24/183, 188; 297/175, 445.1,
 297/423.38; 601/24, 49; 606/240, 244,
 606/242; 5/613, 618, 624; 473/197, 422;
 280/47.371, 280/79.6; D14/447
 CPC . A63B 22/02; A63B 22/0023; A63B 22/0235;
 A63B 2210/50; A63B 21/4029; A63B
 22/0285; A63B 22/0242; A63B 2225/30;
 A63B 21/078; A61H 2203/0493; A61H
 1/0292; A61H 2201/1284; A61H 1/0222
 See application file for complete search history.

References Cited

(56) **U.S. PATENT DOCUMENTS**
 4,139,132 A 2/1979 Fairchild, Jr.
 4,453,442 A * 6/1984 LaFlame G10G 5/005
 224/910
 4,799,610 A * 1/1989 Hsieh A45F 5/00
 224/201

(Continued)

OTHER PUBLICATIONS

Josh Pfaff | Weighted Backpack by for Sale by Inventor dated Jun. 7, 2013. Found online [Oct. 12, 2016] <https://www.youtube.com/watch?v=U1B6ii-ICpc>.*

Primary Examiner — Robert M Spear
Assistant Examiner — Ryan Harvey
 (74) *Attorney, Agent, or Firm* — Robert C. Montgomery;
 Montgomery Patent & Design LP.

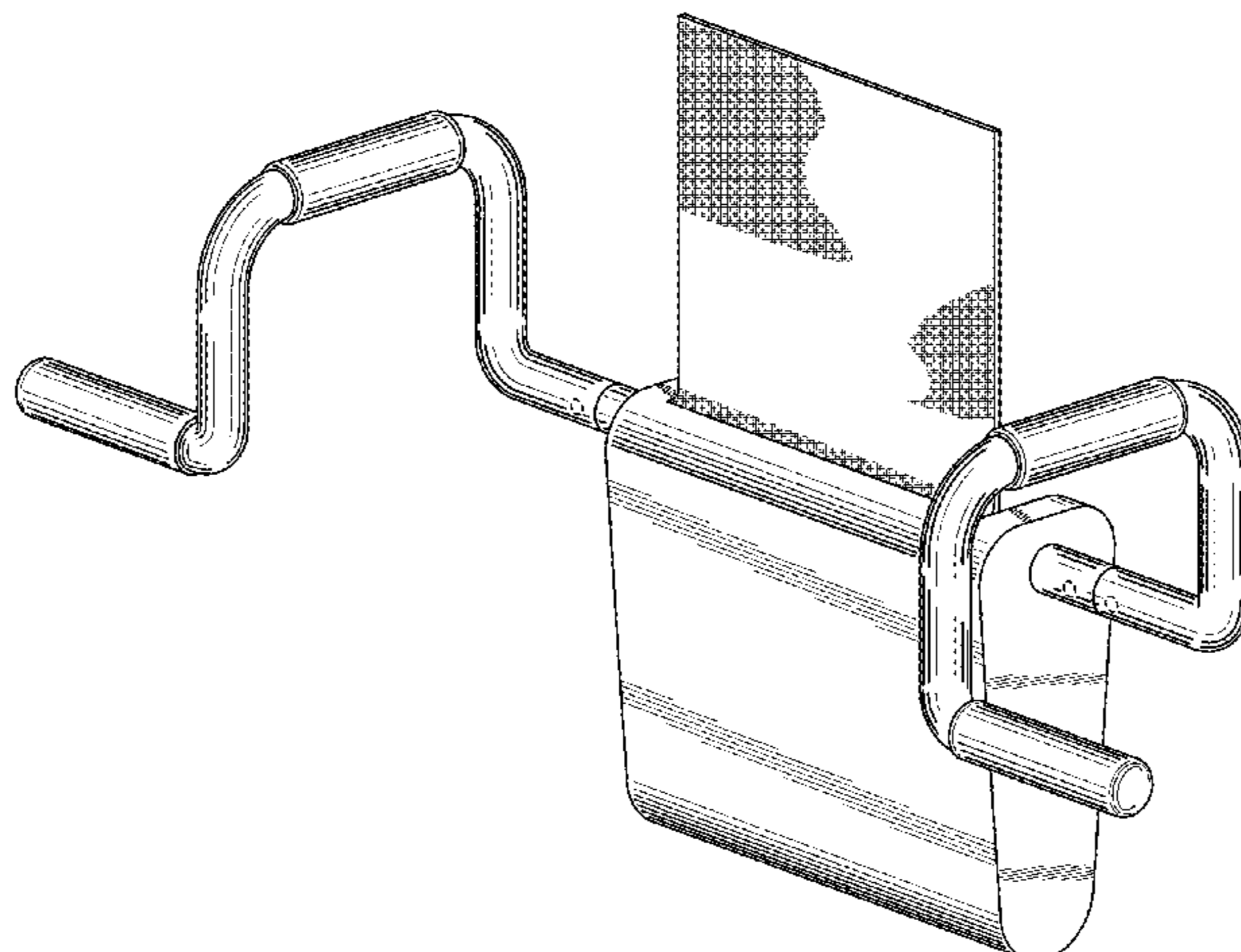
(57) **CLAIM**

The ornamental design for a weighted backpack, as shown and described.

DESCRIPTION

FIG. 1 is a perspective front view of the weighted backpack, showing my new design;
 FIG. 2 is a perspective back view thereof;
 FIG. 3 is a from side view thereof;
 FIG. 4 is a back side view thereof;
 FIG. 5 is left side view with the right side view being a mirror image thereof;
 FIG. 6 is a top side view thereof;
 FIG. 7 is a bottom side view thereof; and,
 FIG. 8 is a perspective back view shown with the flap closed. The broken line showing of portions of the weighted backpack depicts environment and forms no part of the claim.

1 Claim, 8 Drawing Sheets



(56)

References Cited

U.S. PATENT DOCUMENTS

6,329,583	B1 *	12/2001	May	G10G 5/005
					248/443
6,557,176	B2	5/2003	Franco-Sion		
6,881,886	B2 *	4/2005	May	G10G 5/005
					248/443
7,261,677	B2	8/2007	Åhman		
7,671,261	B1 *	3/2010	Momose	G10G 5/005
					84/421
D636,826	S *	4/2011	Chan	D21/663
8,646,666	B2 *	2/2014	May	G10G 5/005
					224/201
D743,494	S *	11/2015	Ho	D21/687
9,199,114	B1 *	12/2015	Santoro	A63B 21/015
9,387,354	B1 *	7/2016	Santoro	A63B 21/0125
2005/0040193	A1 *	2/2005	May	G10G 5/005
					224/201
2005/0183565	A1 *	8/2005	May	G10G 5/005
					84/421
2007/0281840	A1 *	12/2007	Tsai	A63B 23/0211
					482/140
2008/0182735	A1 *	7/2008	Thomas	A63B 21/4025
					482/139
2008/0261786	A1	10/2008	Laramore		
2008/0264236	A1 *	10/2008	Miyajima	G10G 5/005
					84/421
2009/0272779	A1 *	11/2009	Vu	A45F 5/00
					224/677
2010/0154617	A1 *	6/2010	May	G10G 5/005
					84/421

* cited by examiner

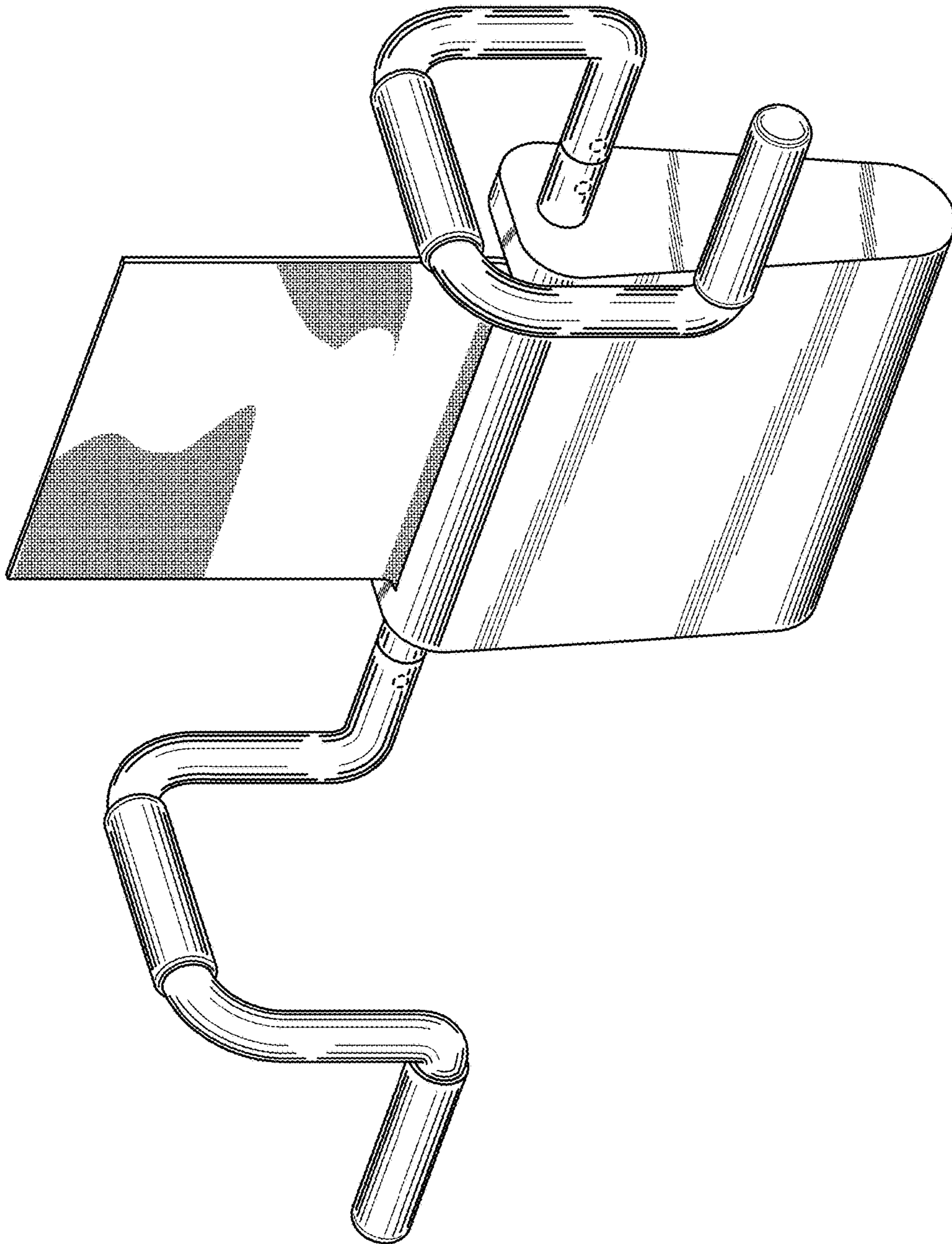


FIG. 1

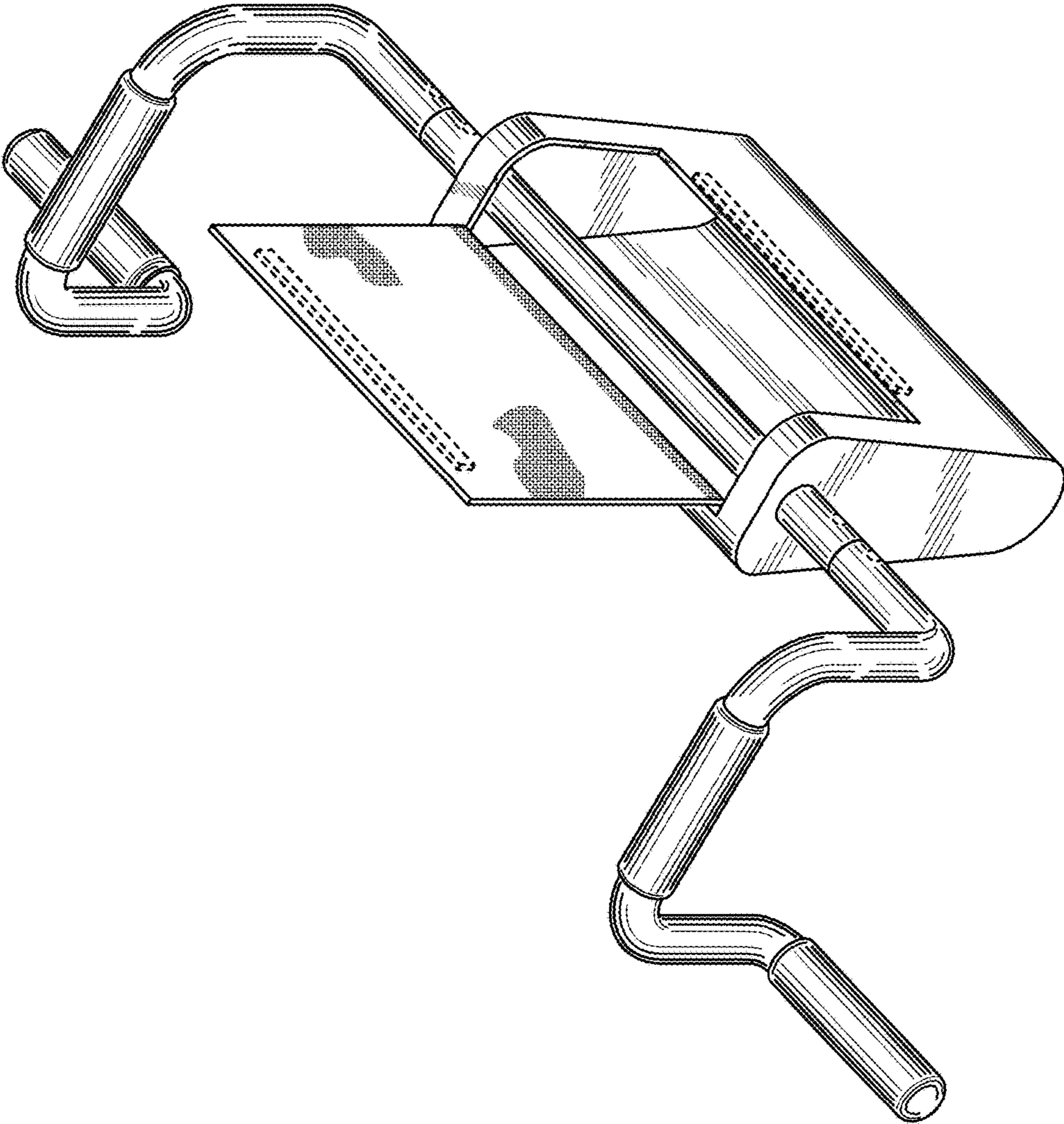


FIG. 2

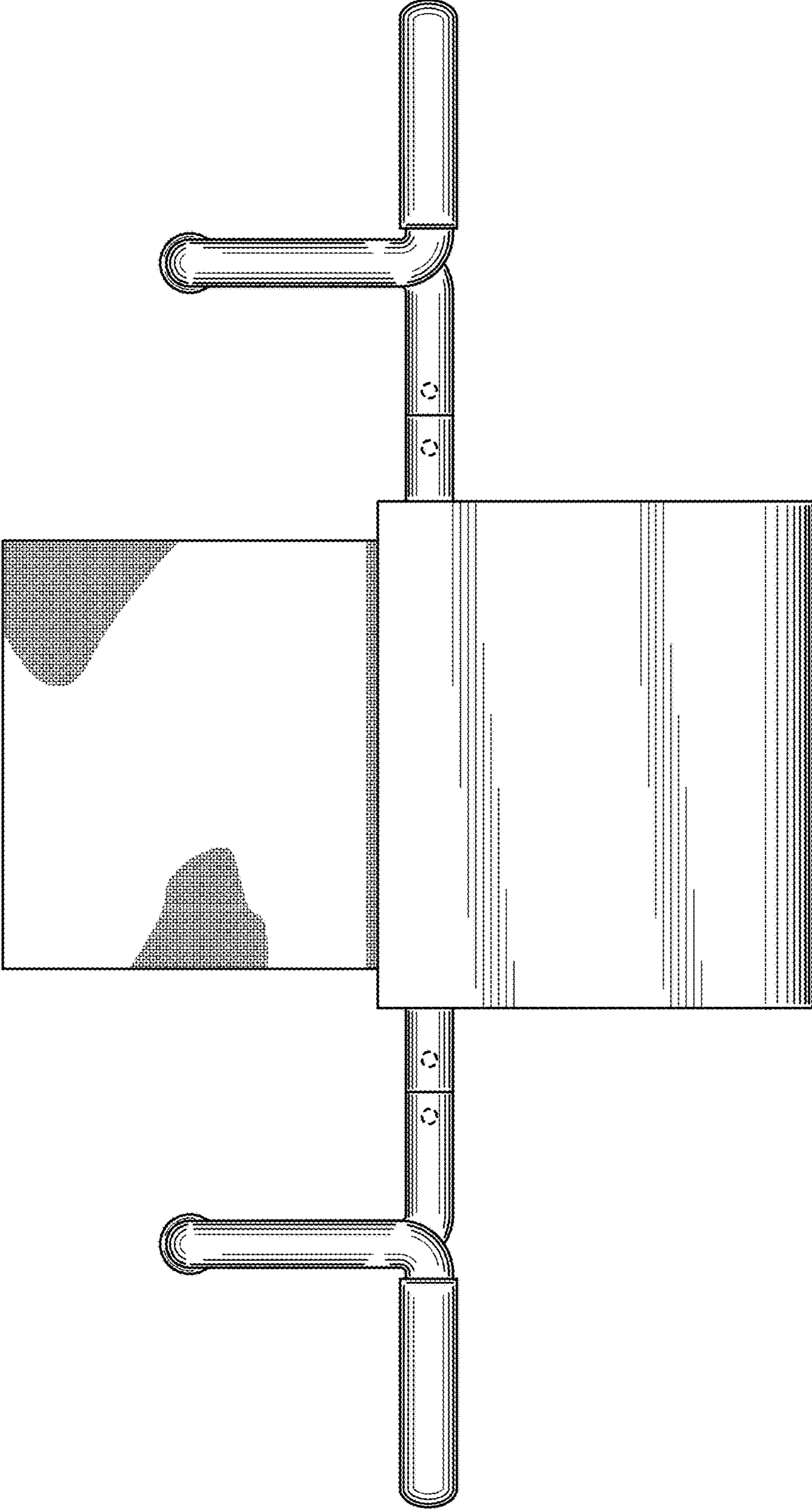


FIG. 3

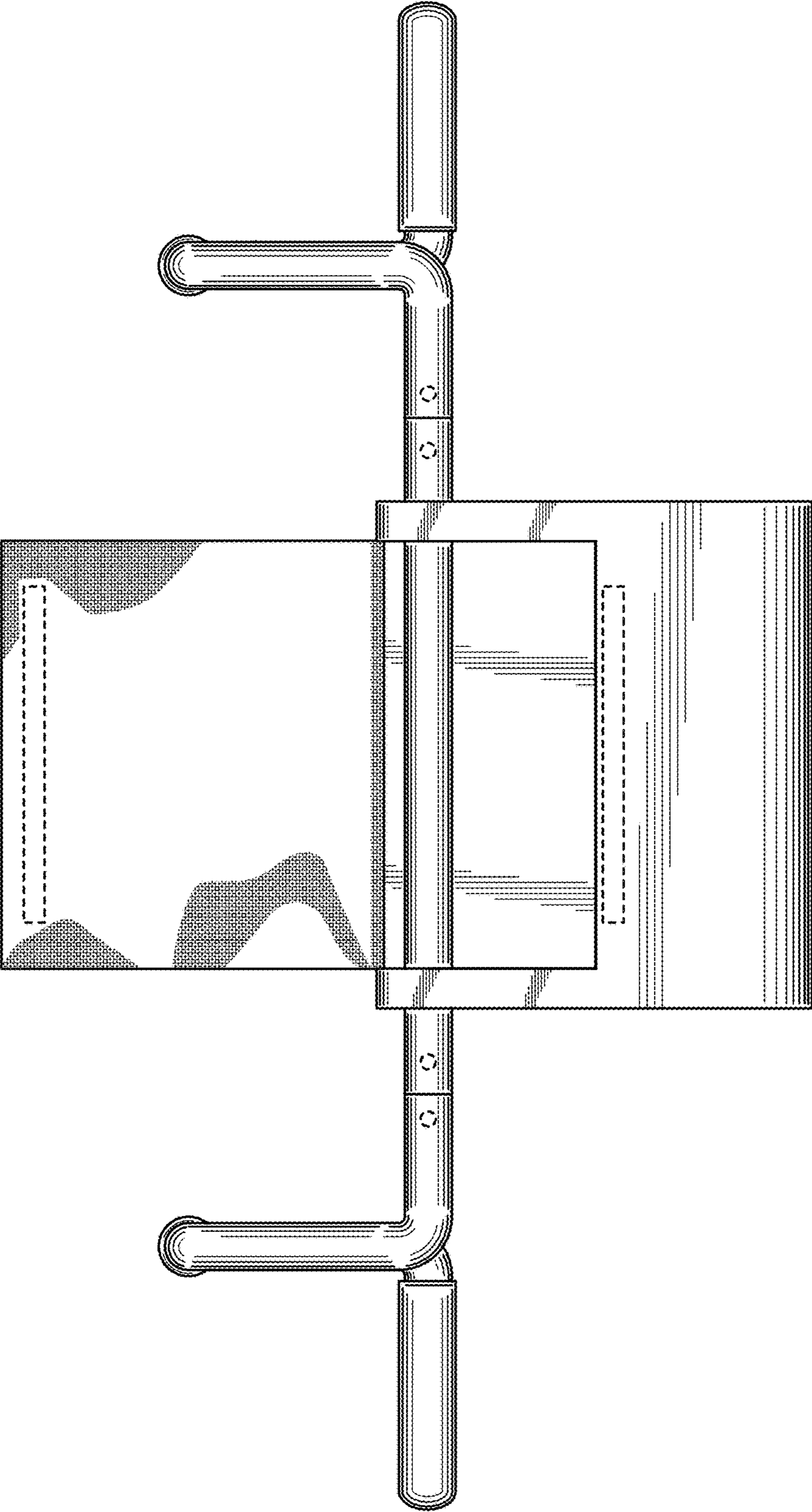


FIG. 4

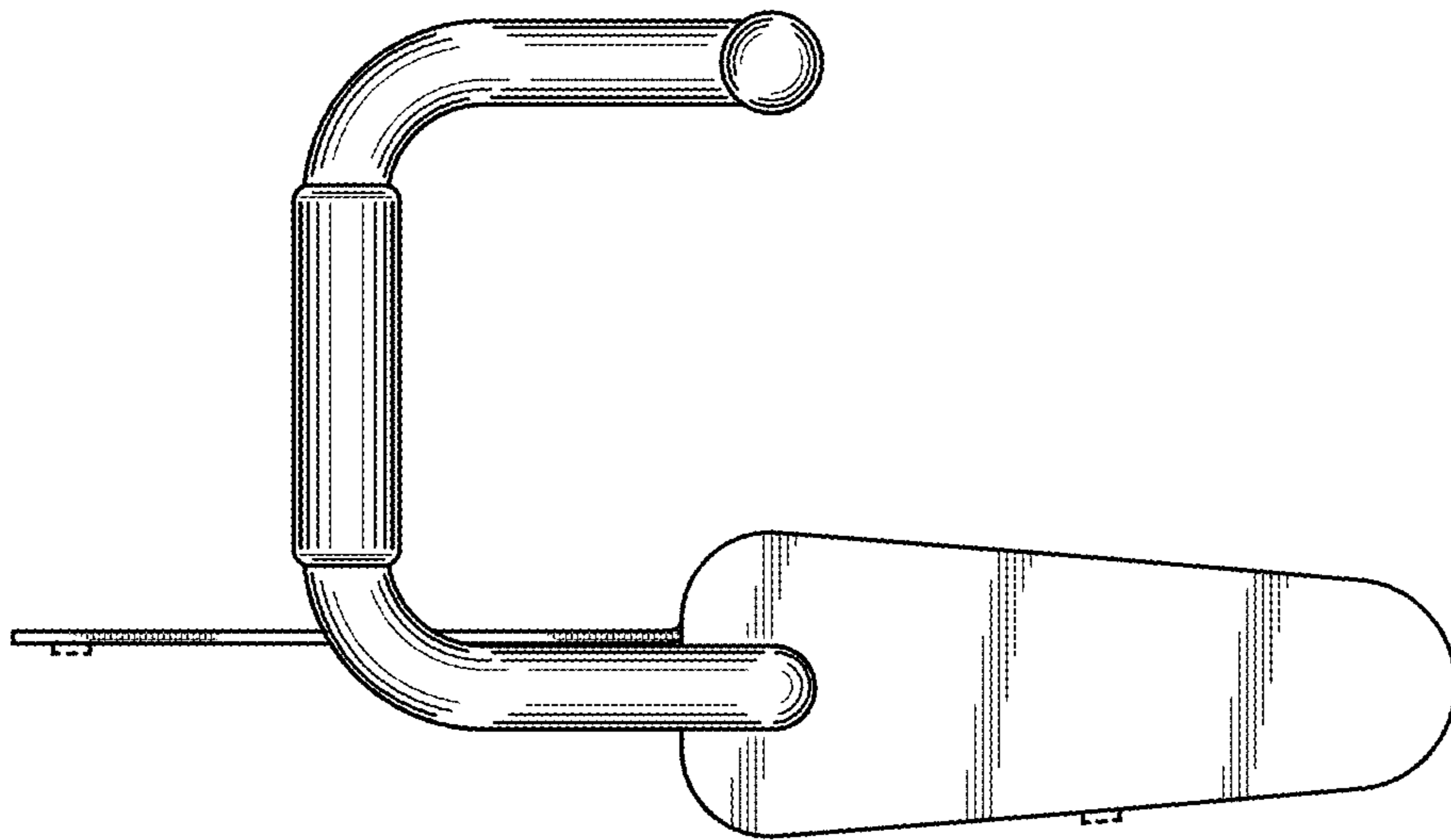


FIG. 5

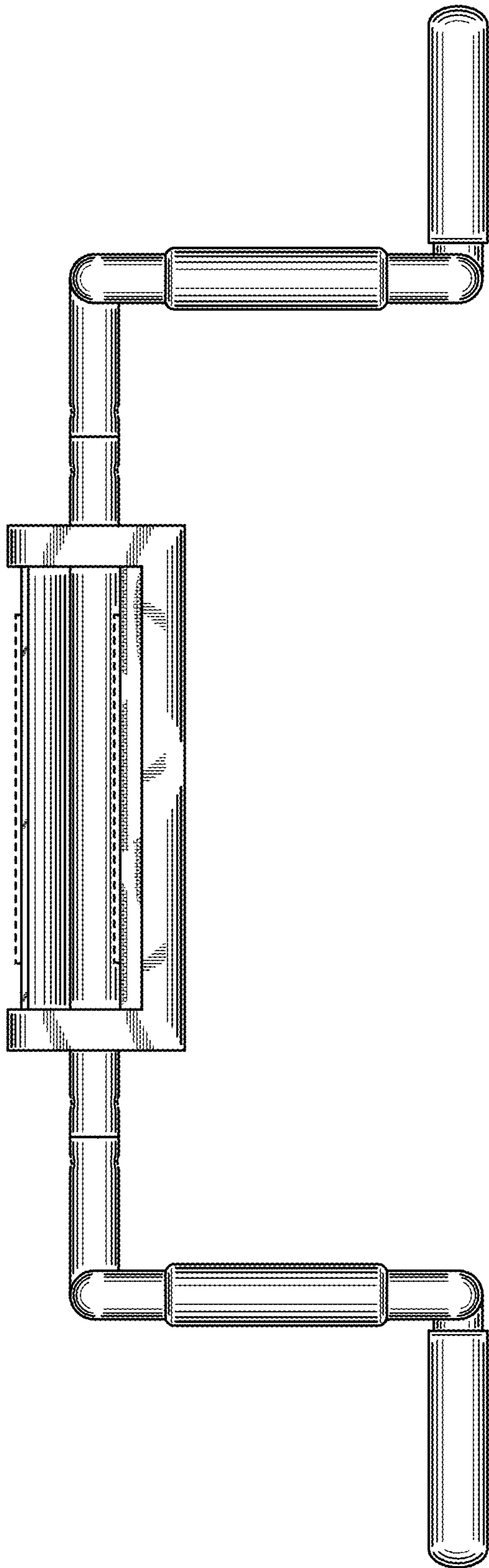


FIG. 6

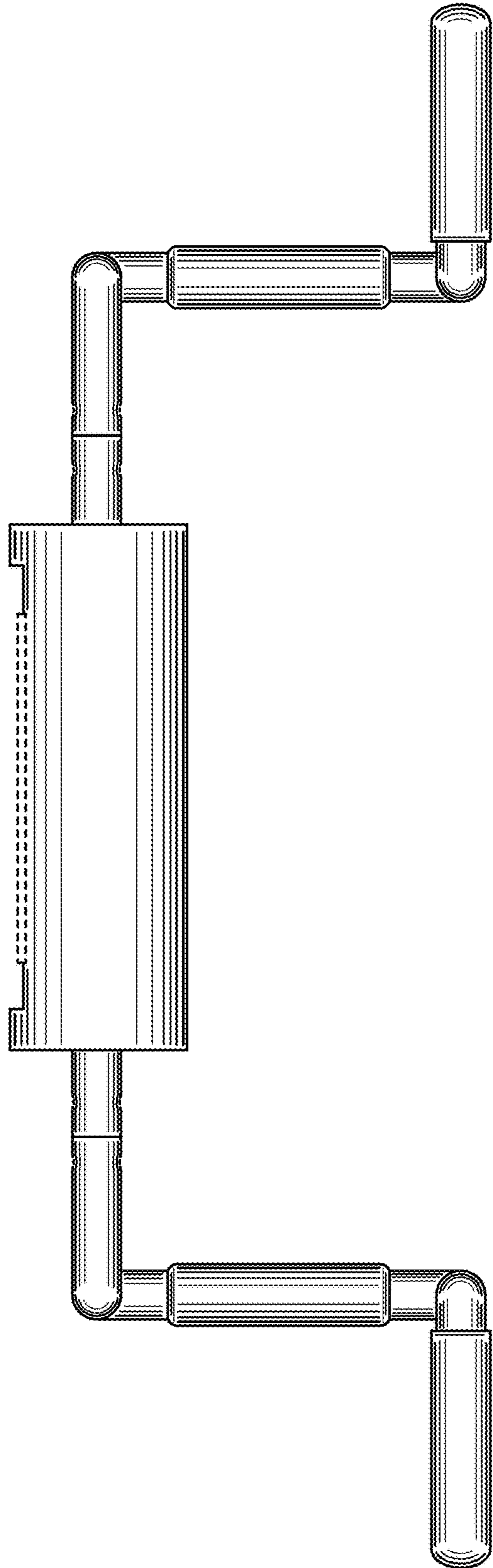


FIG. 7

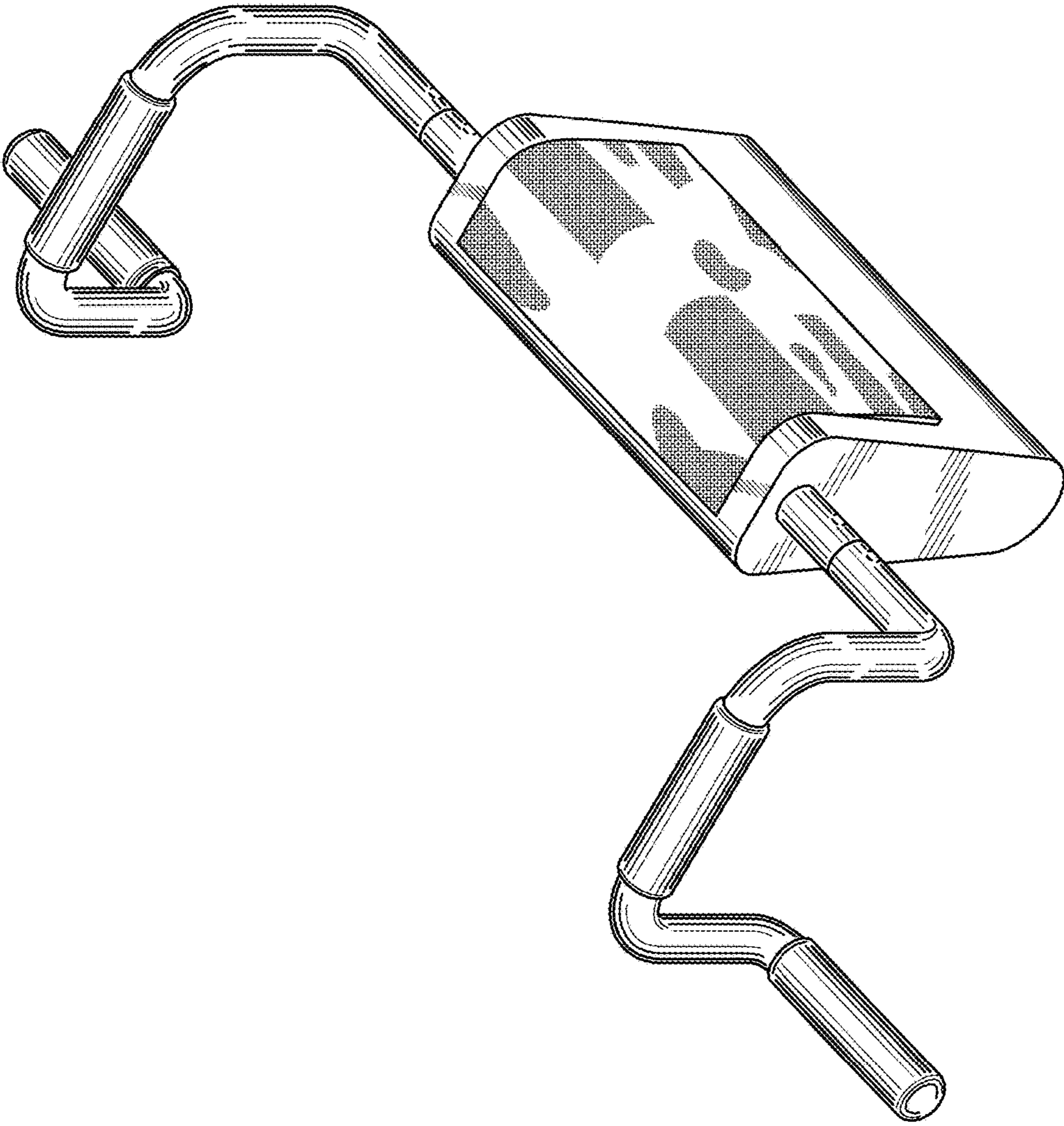


FIG. 8