



US00D780855S

(12) **United States Design Patent** (10) **Patent No.:** **US D780,855 S**  
**Lambert et al.** (45) **Date of Patent:** **\*\* Mar. 7, 2017**

(54) **UNDERWATER LIGHT-UP DIVER TOY**

(71) Applicant: **TOMY International, Inc.**, Dyersville, IA (US)

(72) Inventors: **Stephen T. Lambert**, Phoenix, AZ (US); **Joshua J. Nelson**, Phoenix, AZ (US); **Michael Joseph Bargiel**, Phoenix, AZ (US); **Hideo Tone**, Chandler, AZ (US)

(73) Assignee: **TOMY International, Inc.**, Dyersville, IA (US)

(\*\*) Term: **15 Years**

(21) Appl. No.: **29/533,350**

(22) Filed: **Jul. 16, 2015**

(51) **LOC (10) Cl.** ..... **21-01**

(52) **U.S. Cl.**  
USPC ..... **D21/621**

(58) **Field of Classification Search**  
USPC ..... D21/621, 623, 624, 625, 627, 628, 630, D21/631, 633; 446/268, 360, 361, 376, 379, 446/382-384; D6/595-601  
CPC ..... A63H 3/02; A63H 3/04; A63H 3/06; A63H 3/08; A63H 3/10  
See application file for complete search history.

(56) **References Cited**

**U.S. PATENT DOCUMENTS**

D429,780 S \* 8/2000 Storch ..... D21/637  
D442,649 S \* 5/2001 Galvan ..... D21/621

D444,514 S \* 7/2001 Jenkins ..... D21/577  
D450,787 S \* 11/2001 Jenkins ..... D21/577  
D497,400 S \* 10/2004 Dykstra ..... D11/160  
D574,898 S \* 8/2008 Auberger ..... D21/621  
7,766,716 B2 \* 8/2010 Fong ..... A63H 3/16  
446/99  
D685,438 S \* 7/2013 Fan ..... D15/199  
D772,351 S \* 11/2016 Guo ..... D21/621

\* cited by examiner

*Primary Examiner* — Zenia Bennett

(74) *Attorney, Agent, or Firm* — Lando & Anastasi, LLP

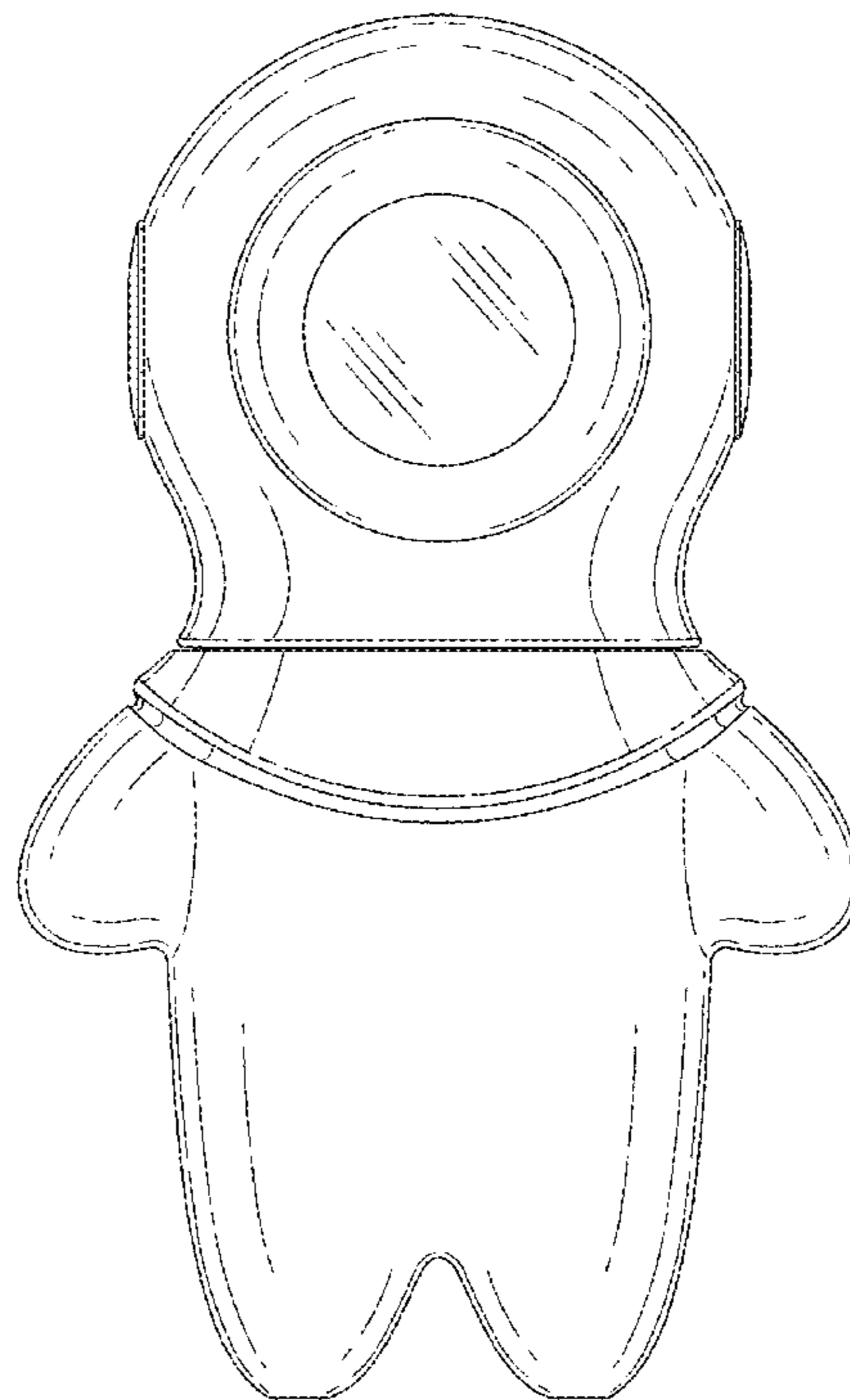
(57) **CLAIM**

The ornamental design for an underwater light-up diver toy, as shown and described.

**DESCRIPTION**

FIG. 1 is a perspective view of an underwater light-up diver toy design;  
FIG. 2 is a front elevational view thereof;  
FIG. 3 is a rear elevational view thereof;  
FIG. 4 is a right side view thereof;  
FIG. 5 is a left side view thereof;  
FIG. 6 is a top plan view thereof; and,  
FIG. 7 is a bottom plan view thereof.  
The broken lines showing portions of the underwater light-up diver toy design in FIGS. 1-7 are for illustrative purposes only and form no part of the claimed design.

**1 Claim, 6 Drawing Sheets**



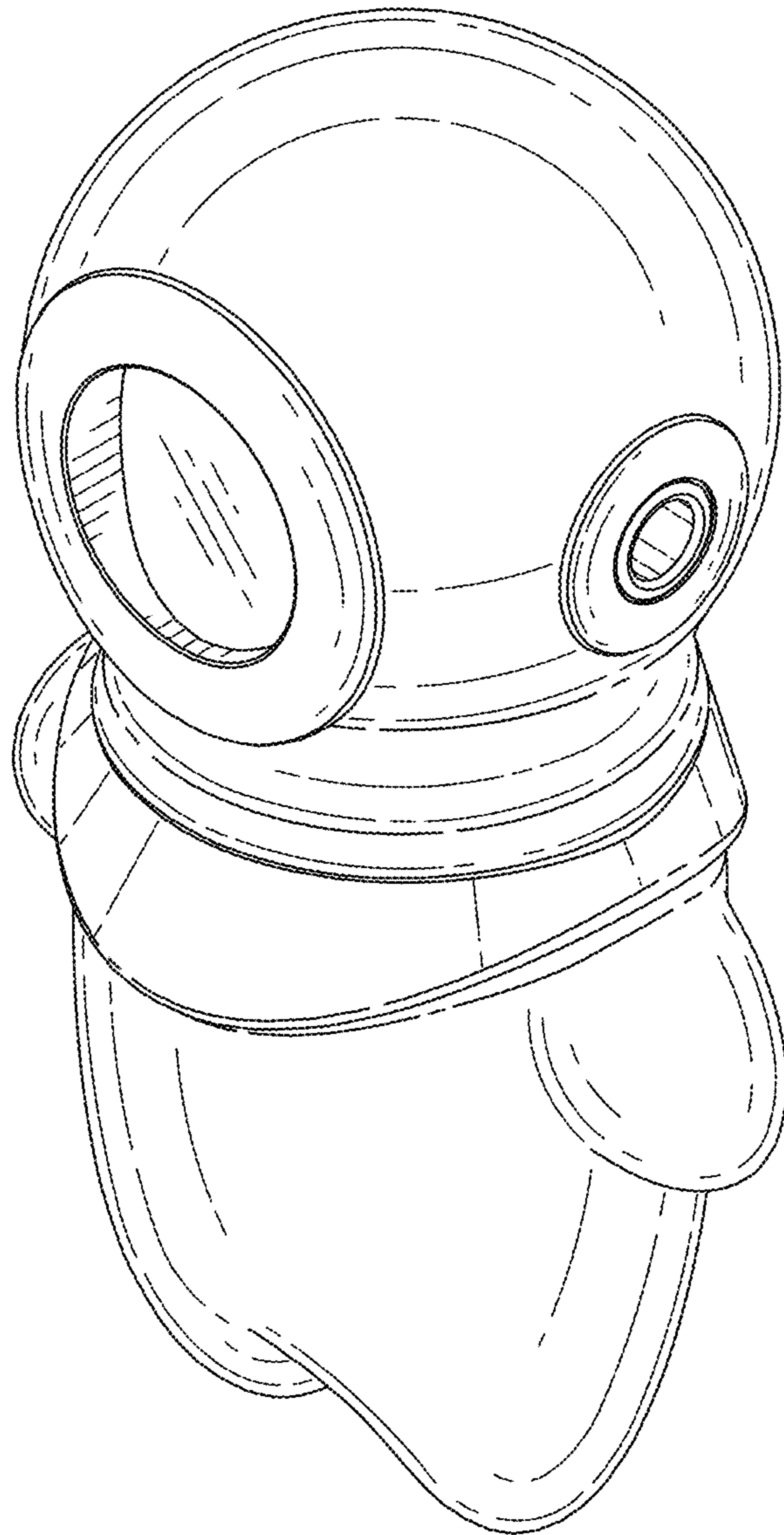


FIG. 1

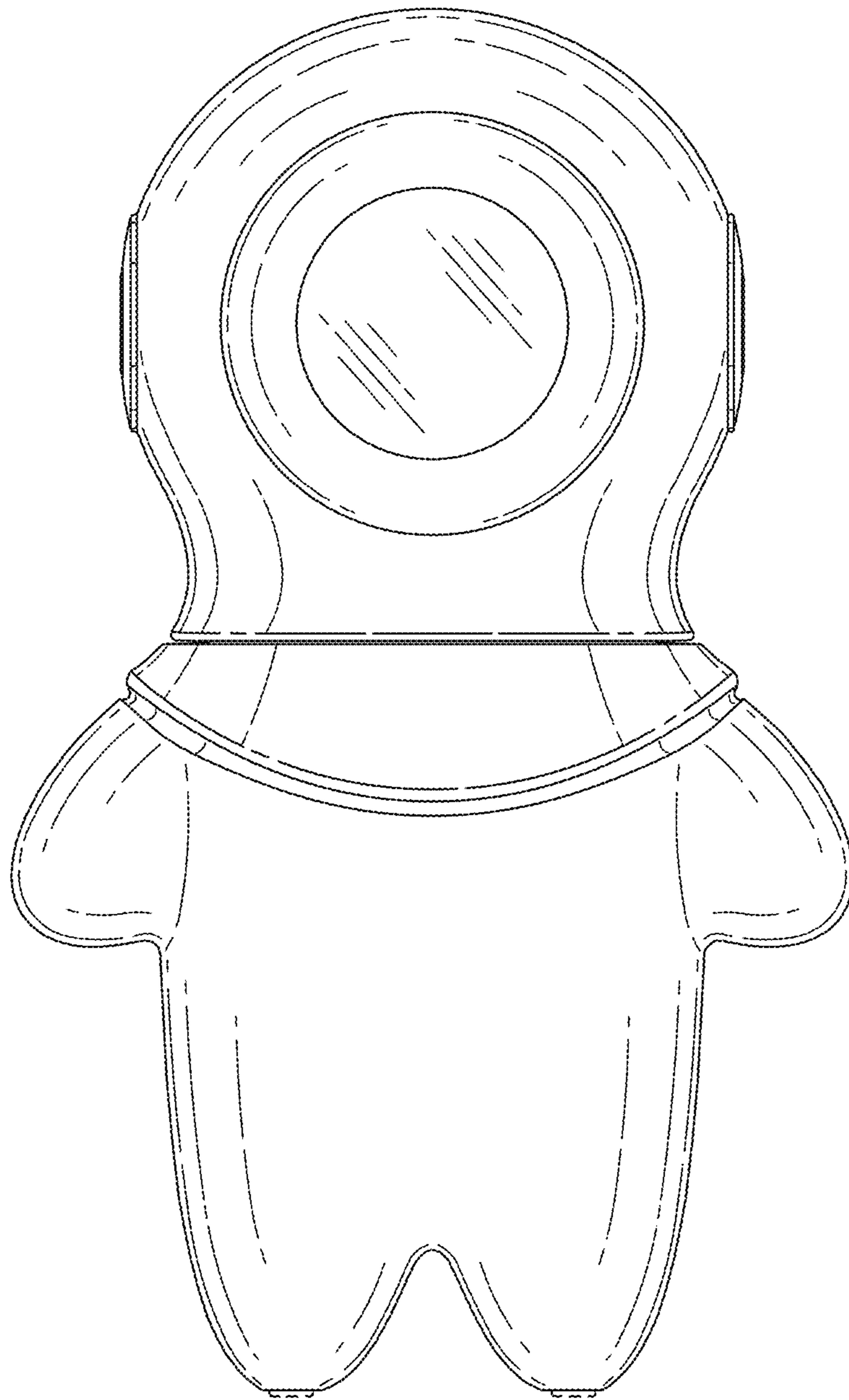


FIG. 2

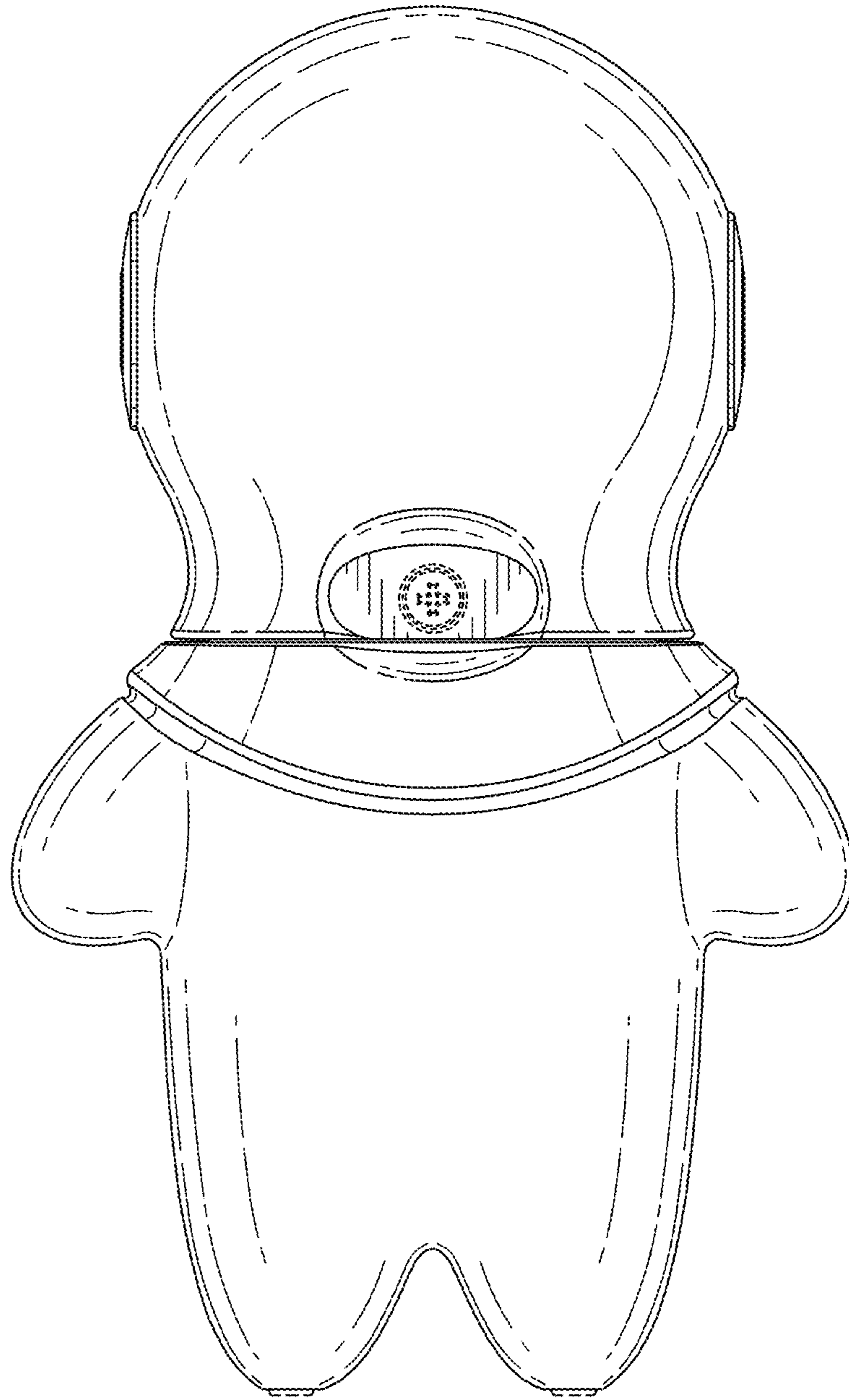


FIG. 3

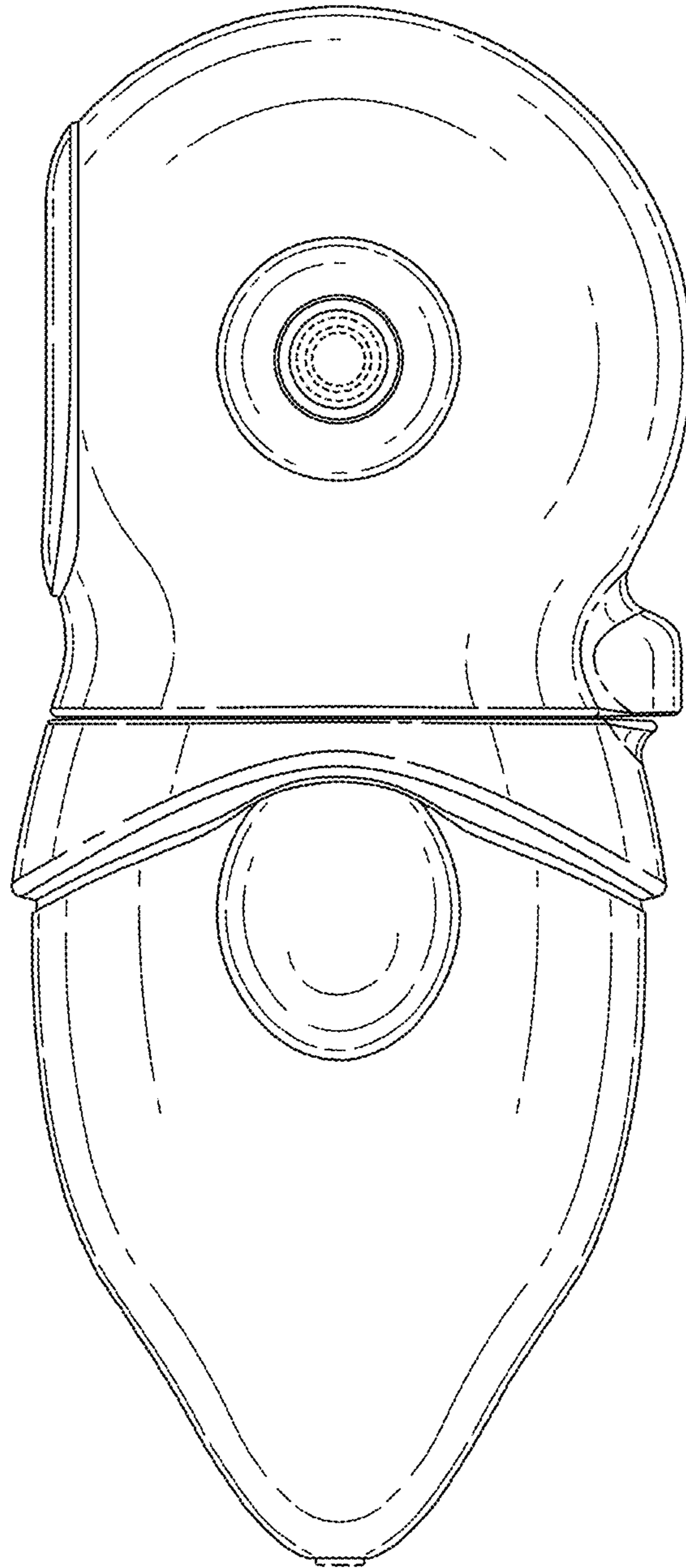


FIG. 4

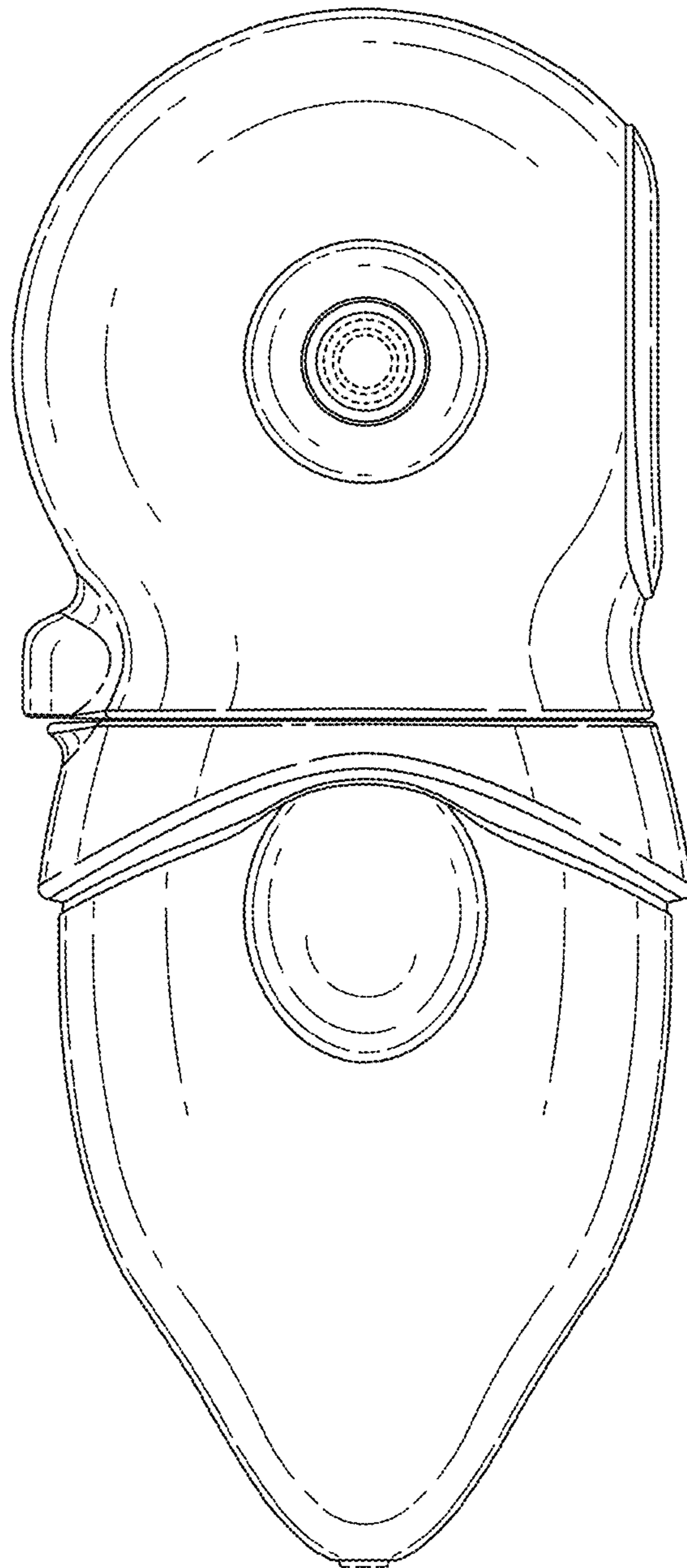


FIG. 5

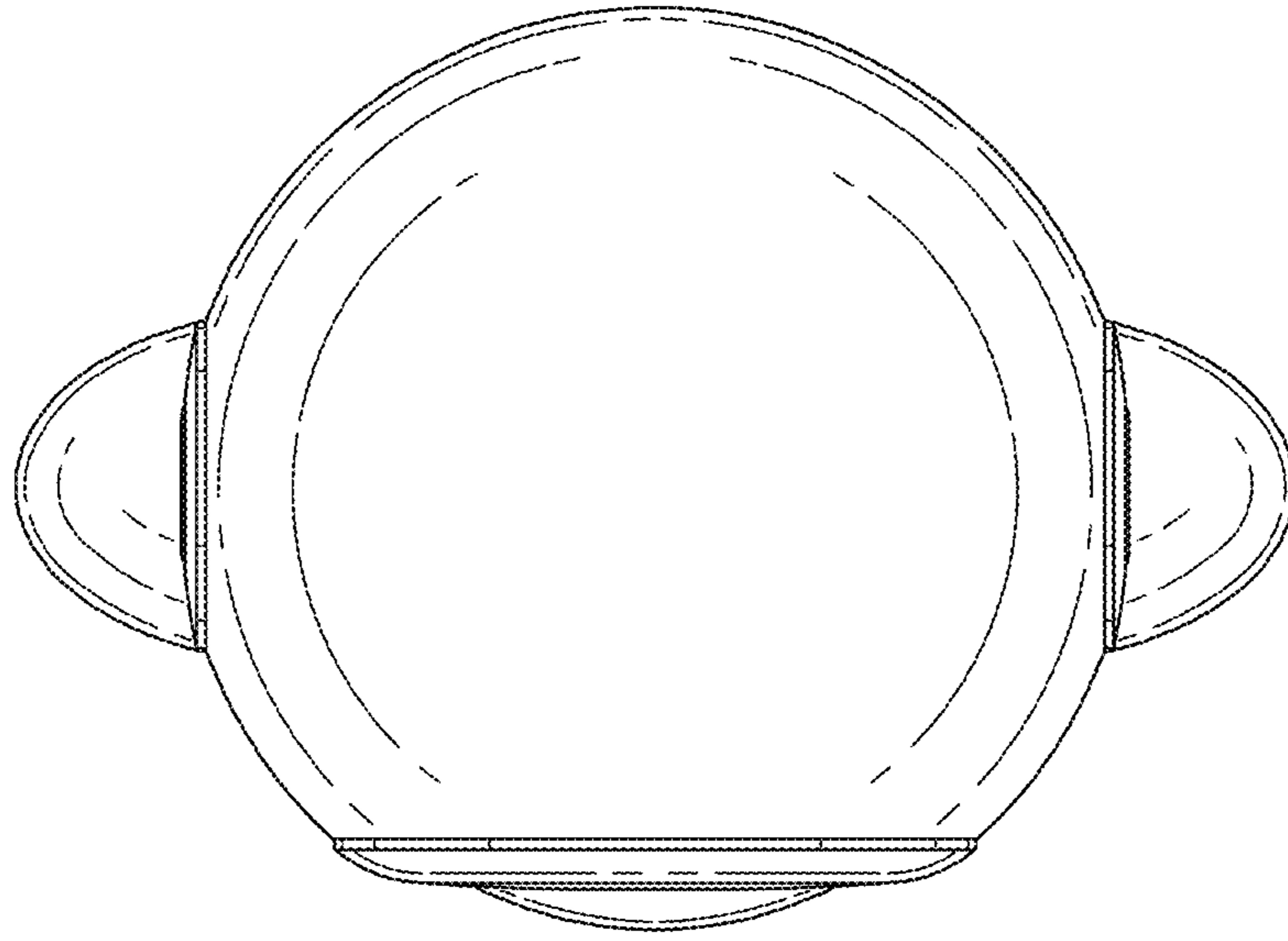


FIG. 6

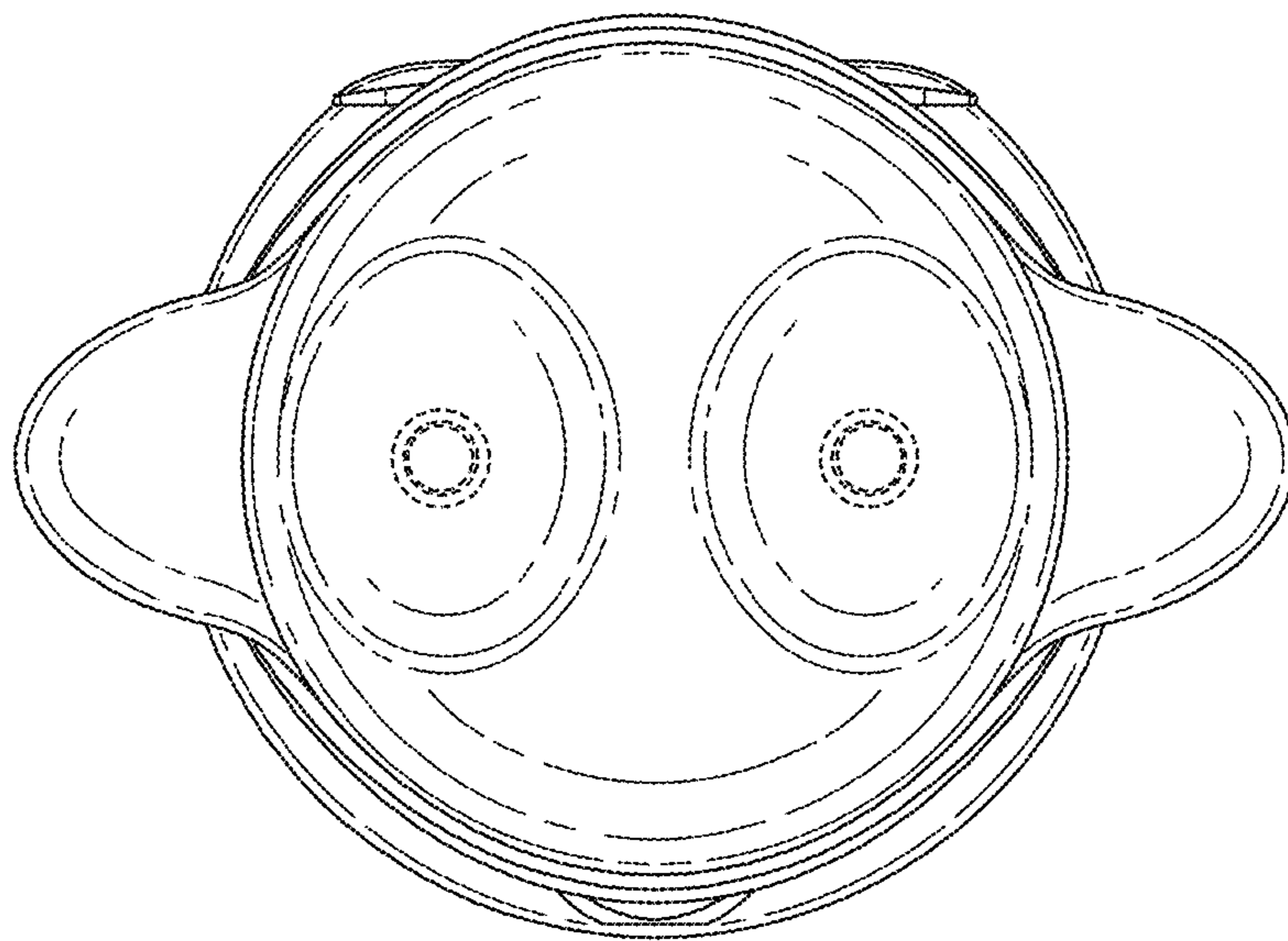


FIG. 7