



US00D780853S

(12) **United States Design Patent**
Weisman et al.

(10) **Patent No.:** **US D780,853 S**
(45) **Date of Patent:** **** Mar. 7, 2017**

(54) **WATER TOY**

(71) Applicant: **Global Marketing Enterprise (G.M.E.) Ltd., Tel Aviv (IL)**

(72) Inventors: **Zafrira Weisman, Tel Aviv (IL); Israel Zanger, Tel Aviv (IL)**

(**) Term: **14 Years**

(21) Appl. No.: **29/519,890**

(22) Filed: **Mar. 9, 2015**

(30) **Foreign Application Priority Data**

Sep. 10, 2014 (IL) 56059

(51) **LOC (10) Cl.** **21-01**

(52) **U.S. Cl.**

USPC **D21/398**

(58) **Field of Classification Search**

USPC D21/398, 401, 455, 468, 473, 474, 483, D21/493, 506, 507, 526, 576, 585, 590, D21/597, 606-609, 589, 811; D23/213-216, 221, 222, 228; D30/123

CPC A63H 13/00; A63H 13/02; A63H 13/20; A63H 23/00-23/16; A63H 29/10; A63H 29/14; A63H 33/00; A63H 33/26; A63H 33/28; A63H 33/30; A63H 33/3022; A63H 33/3038; A63H 33/3061; A63H 33/42

See application file for complete search history.

(56) **References Cited**

U.S. PATENT DOCUMENTS

543,993 A * 8/1895 Kohler B05B 3/0486
239/222.19

2,063,381 A * 12/1936 Holland B05B 3/0486
239/222.19

D171,020 S * 12/1953 Anderson 47/66.6

2,752,156 A * 6/1956 Washburn A63H 33/26
222/527

2,938,495 A * 5/1960 Hinton A01K 45/002
119/460

3,952,447 A * 4/1976 Hackell A63H 33/28
446/19

4,274,591 A * 6/1981 Sunshine B05B 3/00
239/211

4,946,164 A * 8/1990 Fuller A63B 69/0075
446/186

D338,434 S * 8/1993 Muff D12/130

5,438,957 A * 8/1995 Shagoury A01K 45/002
119/69.5

D365,607 S * 12/1995 Kino D21/472

5,522,552 A * 6/1996 Liu B05B 17/00
239/29.5

D406,184 S * 2/1999 Aker D21/398

6,012,960 A * 1/2000 Lee A63H 23/10
446/180

6,082,633 A * 7/2000 Kephart B05B 3/06
239/211

(Continued)

Primary Examiner — Catherine Tuttle
(74) *Attorney, Agent, or Firm* — Haim M. Factor

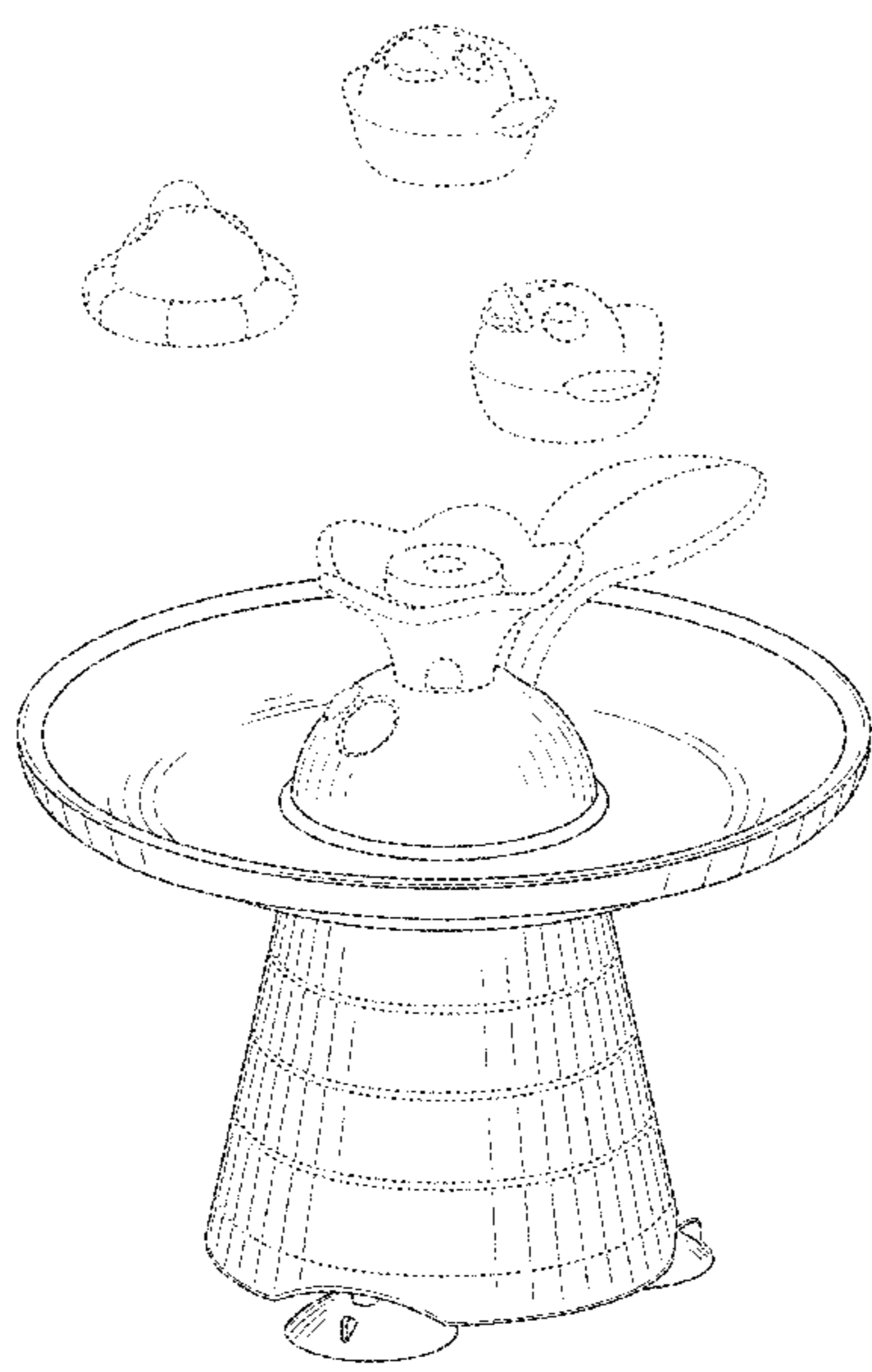
(57) **CLAIM**

The ornamental design for a water toy, as shown and described.

DESCRIPTION

FIG. 1 is a front and left perspective view of a water toy showing my new design;
FIG. 2 is a front elevational view thereof;
FIG. 3 is a left side elevational view thereof;
FIG. 4 is a right side elevational view thereof; and,
FIG. 5 is a top plan view thereof.
The broken lines are included for the purpose of illustrating the portions of the water toy that form no part of the claimed design.

1 Claim, 5 Drawing Sheets



(56)

References Cited

U.S. PATENT DOCUMENTS

D444,847 S *	7/2001	Chao	D23/213
D460,997 S *	7/2002	Yang	D23/215
6,652,348 B2 *	11/2003	Yen	B05B 17/08 239/17
6,782,567 B1 *	8/2004	Austin	A63H 23/10 4/496
D651,662 S *	1/2012	Monahan	D21/608
2007/0037470 A1 *	2/2007	Rothan	A63H 29/14 446/176
2008/0045118 A1 *	2/2008	Todokoro	A63H 23/10 446/267
2013/0181067 A1 *	7/2013	Todokoro	A63H 23/10 239/442

* cited by examiner

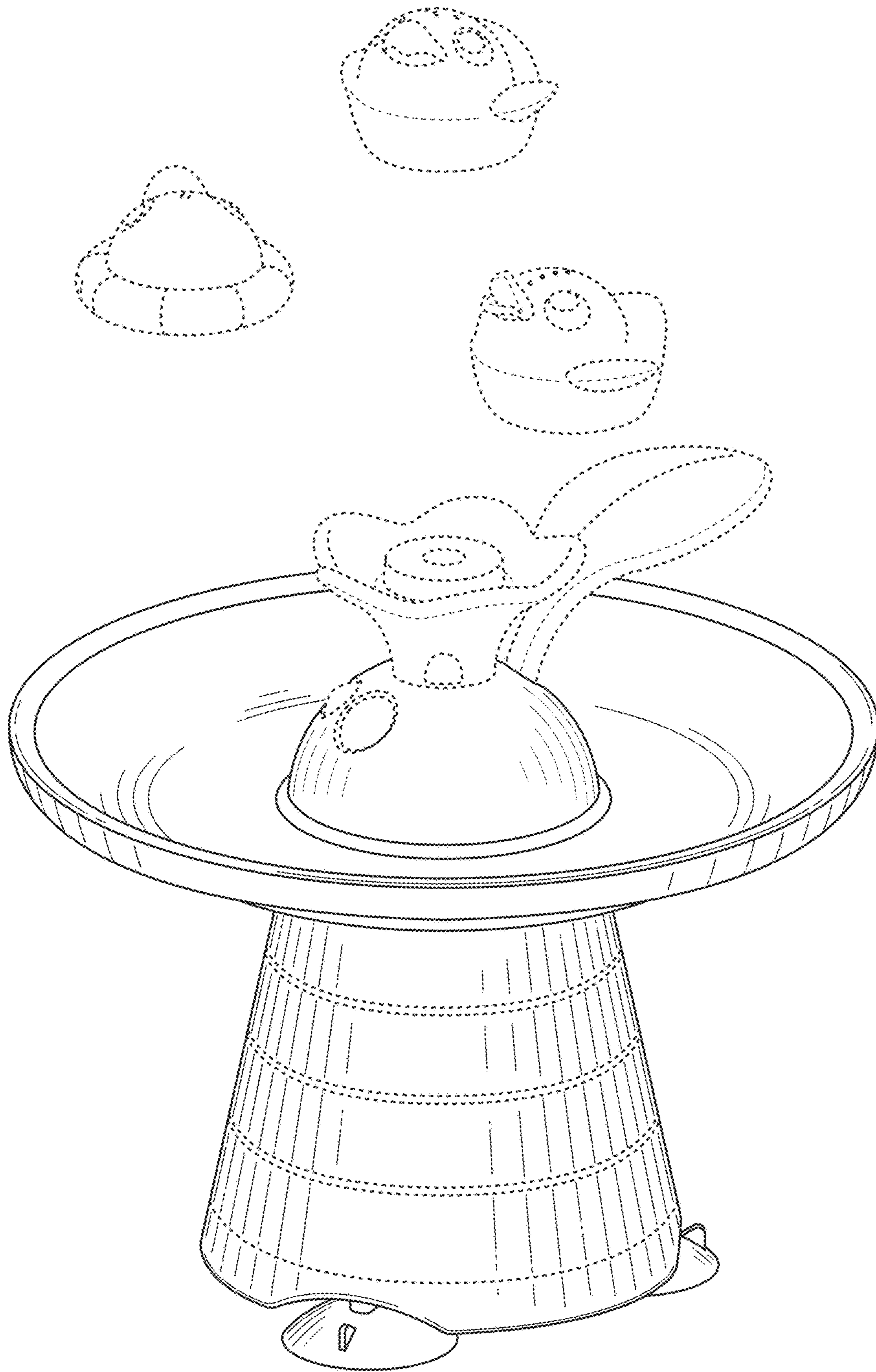


FIGURE 1

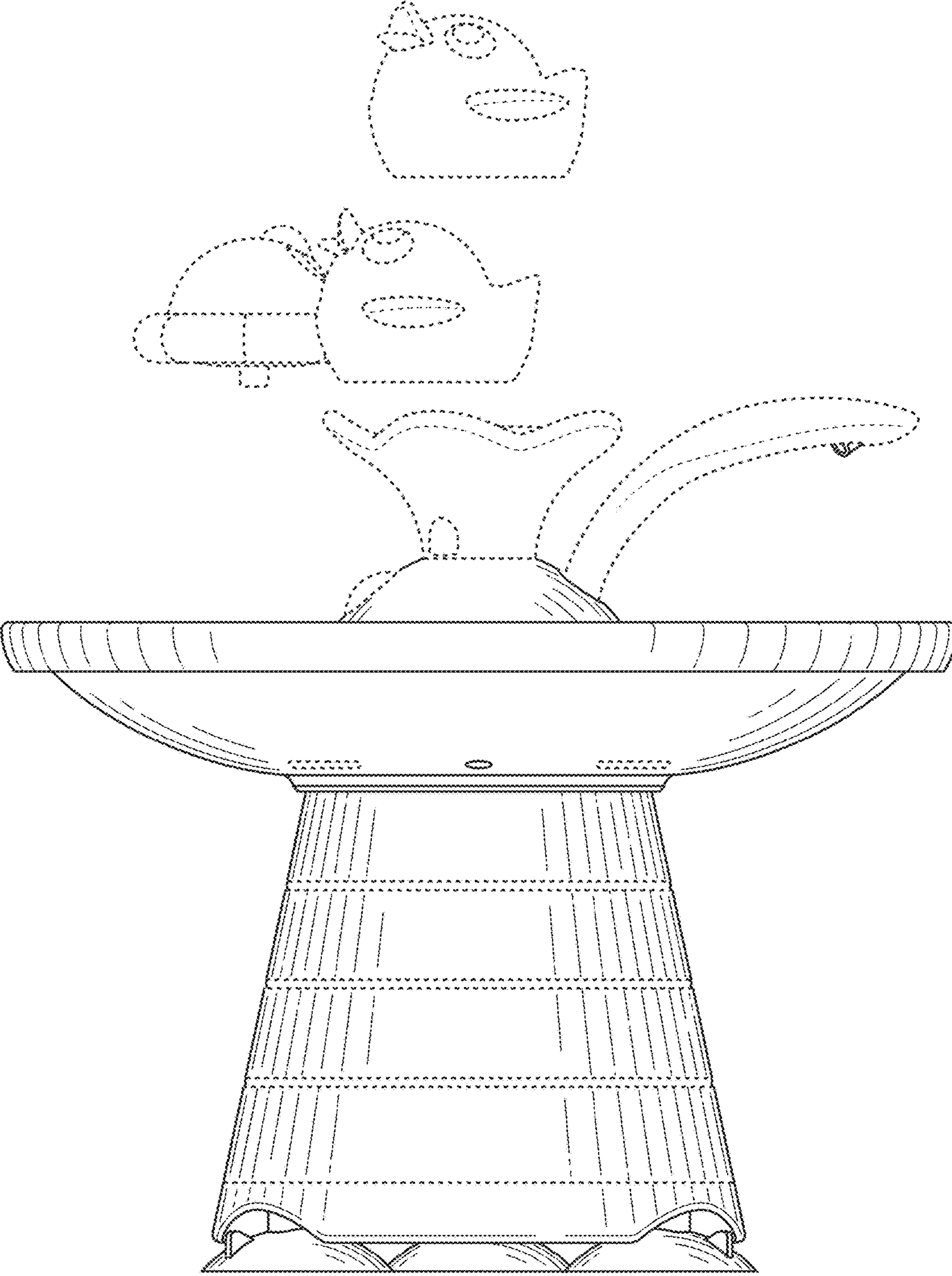


FIGURE 2

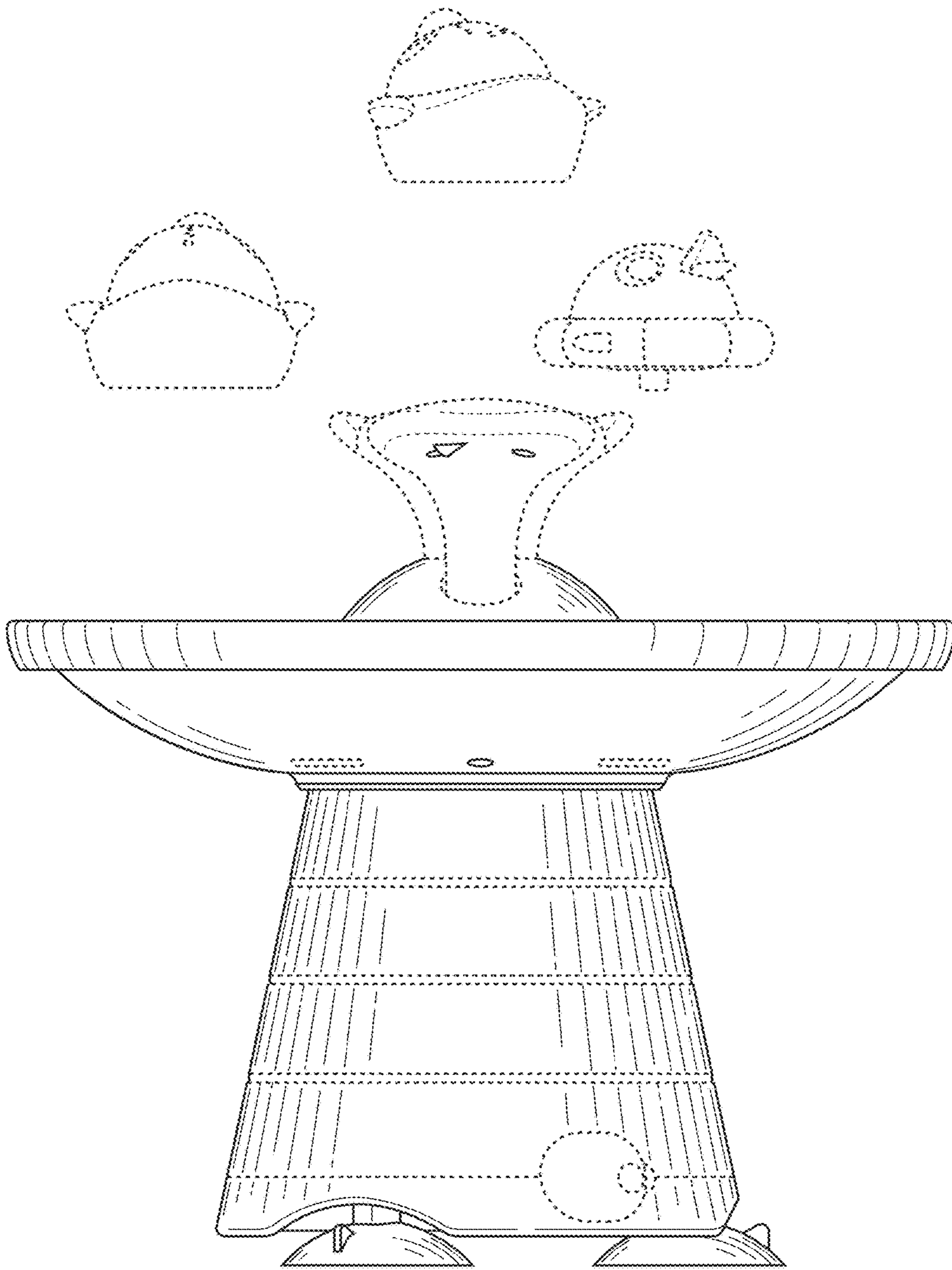


FIGURE 3

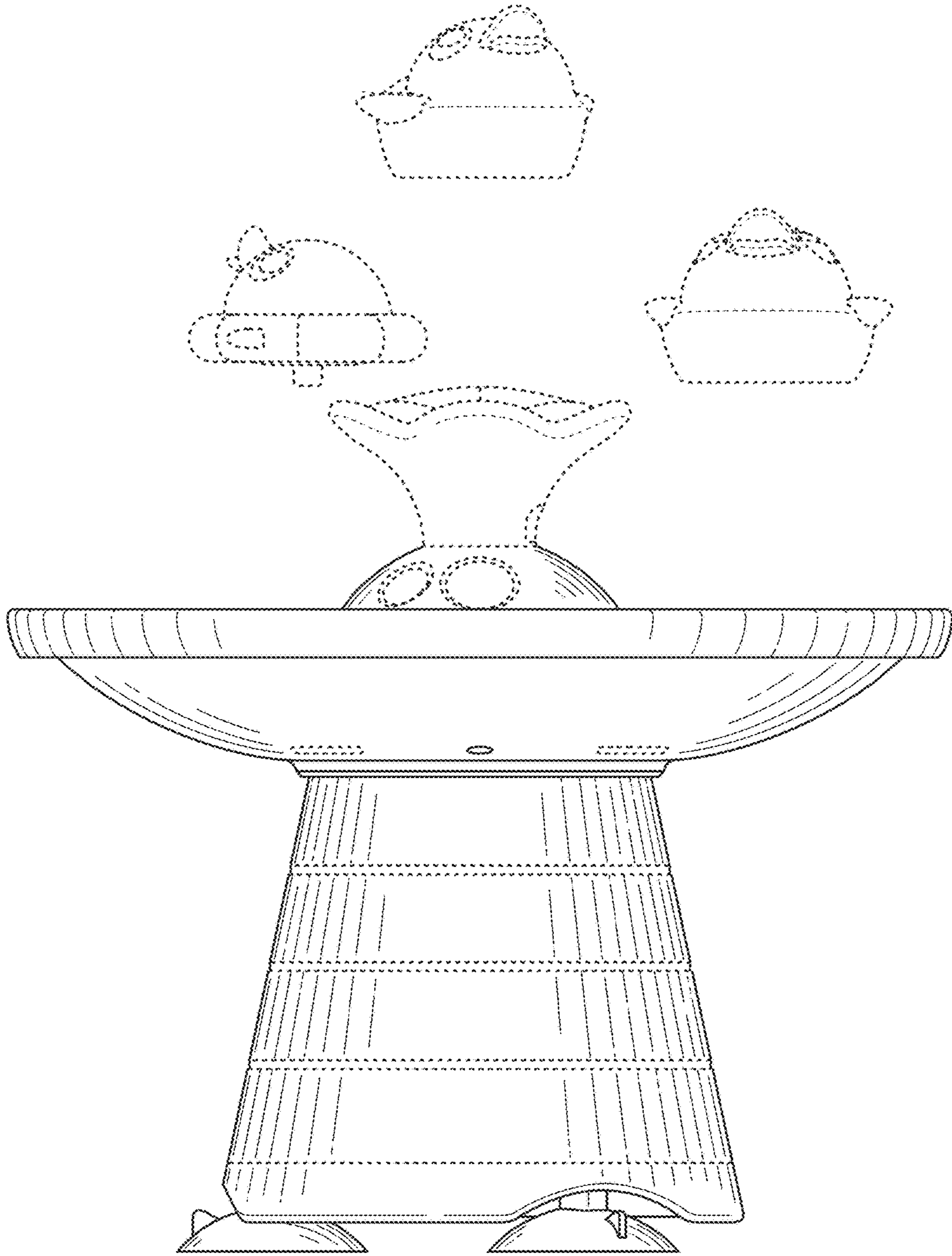


FIGURE 4

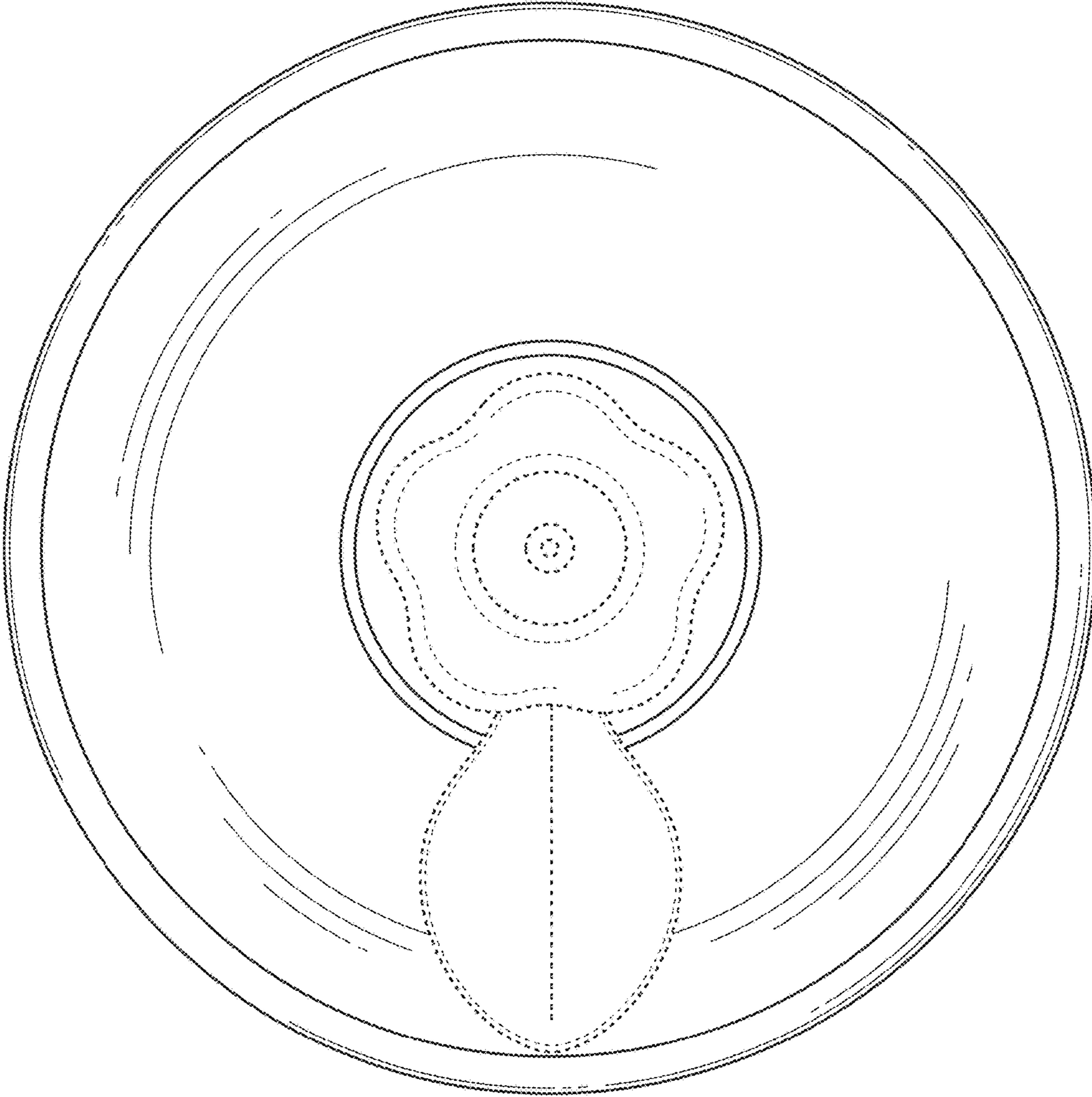


FIGURE 5