



US00D780852S

(12) **United States Design Patent**  
**Sharp et al.**

(10) **Patent No.:** **US D780,852 S**

(45) **Date of Patent:** **\*\* Mar. 7, 2017**

(54) **INTERACTIVE DEVICE FOR A USER**

(74) *Attorney, Agent, or Firm* — Frank Cire

(71) Applicant: **Gamblit Gaming, LLC**, Glendale, CA (US)

(57) **CLAIM**

The ornamental design for an interactive device for a user, as shown and described.

(72) Inventors: **Milton Sharp**, Los Angeles, CA (US);  
**Wayne Loynes**, Altadena, CA (US);  
**Eric Meyerhofer**, Pasadena, CA (US)

**DESCRIPTION**

(73) Assignee: **Gamblit Gaming, LLC**, Glendale, CA (US)

FIG. 1 is a top and front perspective view of an interactive device for a user showing our new design;  
FIG. 2 is a front elevational view thereof;  
FIG. 3 is a bottom and front perspective view thereof;  
FIG. 4 is a top and left perspective view thereof;  
FIG. 5 is a left perspective view thereof;  
FIG. 6 is a front and right perspective view thereof;  
FIG. 7 is a top and right perspective view thereof;  
FIG. 8 is a right elevational view thereof;  
FIG. 9 is a bottom and rear perspective view thereof;  
FIG. 10 is a top plan view thereof; and  
FIG. 11 is a bottom plan view thereof.  
FIG. 12 is a top and front perspective view of a second embodiment of an interactive device for a user showing our new design;  
FIG. 13 is a front elevational view thereof;  
FIG. 14 is a bottom and front perspective view thereof;  
FIG. 15 is a top and left perspective view thereof;  
FIG. 16 is a left perspective view thereof;  
FIG. 17 is a front and right perspective view thereof;  
FIG. 18 is a top and right perspective view thereof;  
FIG. 19 is a right elevational view thereof;  
FIG. 20 is a bottom and rear perspective view thereof;  
FIG. 21 is a top plan view thereof; and  
FIG. 22 is a bottom plan view thereof.  
The broken lines represent disclaimed portions and form no part of the claimed design.

(\*\*) Term: **15 Years**

(21) Appl. No.: **29/533,294**

(22) Filed: **Jul. 15, 2015**

(51) **LOC (10) Cl.** ..... **21-01**

(52) **U.S. Cl.**  
USPC ..... **D21/329**; D14/496; D14/203.7

(58) **Field of Classification Search**  
USPC ..... D21/324–333; D14/496, 168, 356;  
345/156, 1.1, 1.2, 3.1; 455/3.06;  
(Continued)

(56) **References Cited**

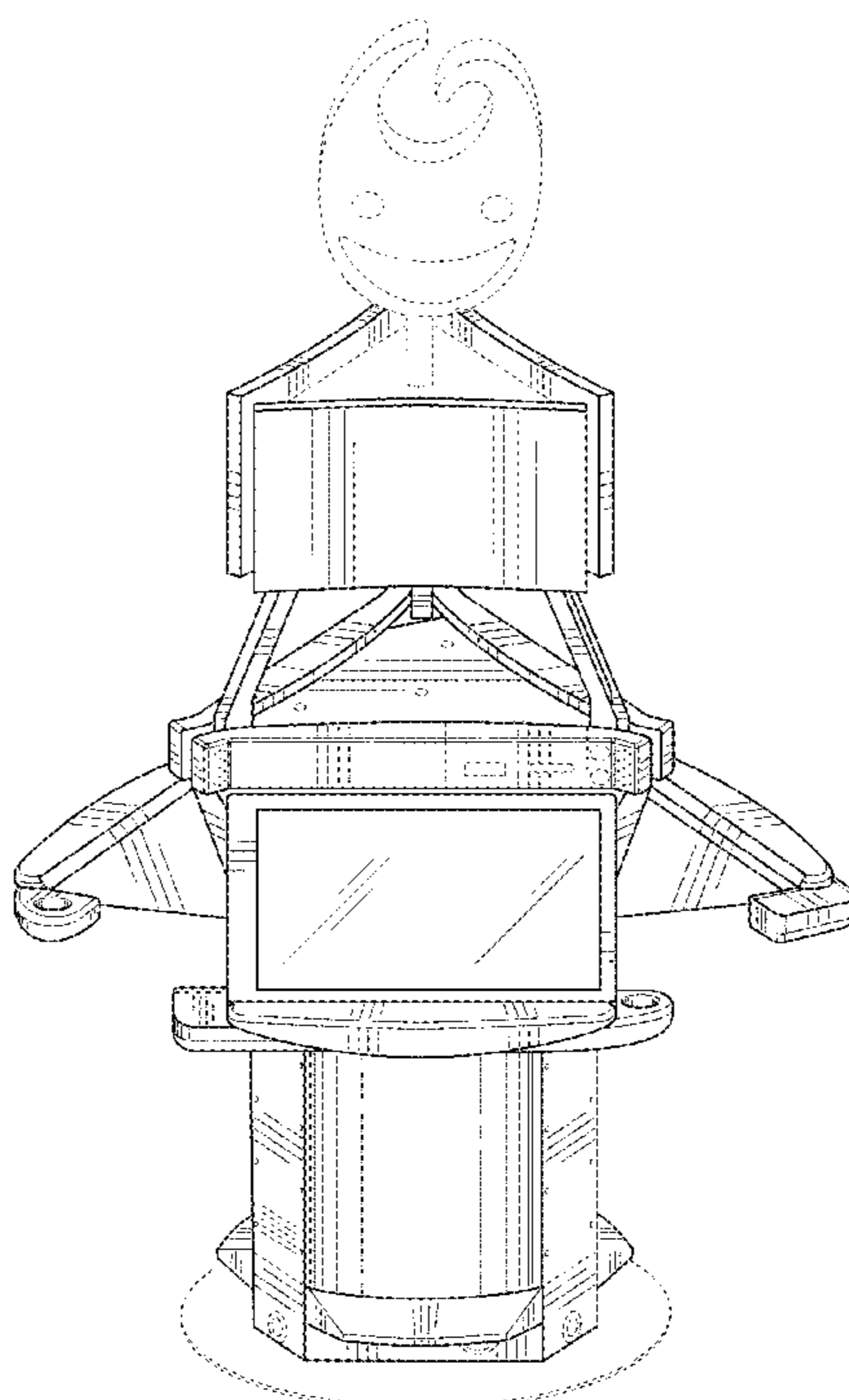
**U.S. PATENT DOCUMENTS**

6,997,772 B2\* 2/2006 Fong ..... A63H 3/28  
446/175  
7,062,146 B2\* 6/2006 Elias ..... A63H 33/006  
297/135

(Continued)

*Primary Examiner* — Prabhakar Deshmukh

**1 Claim, 22 Drawing Sheets**



(58) **Field of Classification Search**

USPC ..... 463/43-47; 273/148 B; 715/710, 700,  
715/717, 719, 727; 710/1, 5, 8, 15  
CPC ..... G06F 3/041; G06F 3/046; G06F 3/048  
See application file for complete search history.

(56) **References Cited**

U.S. PATENT DOCUMENTS

7,207,860 B2 \* 4/2007 Hornsby ..... A63H 33/00  
446/353  
D590,839 S \* 4/2009 Lewis ..... D14/496  
D614,202 S \* 4/2010 Strauser ..... D14/496  
7,905,783 B2 \* 3/2011 Cole ..... G07F 17/32  
463/16  
D643,439 S \* 8/2011 Bidaud ..... D14/203.1  
8,046,620 B2 \* 10/2011 Fong ..... A63H 3/003  
446/297  
8,520,064 B2 \* 8/2013 White ..... G02B 27/2292  
348/54  
8,717,316 B2 \* 5/2014 Gothard ..... G06Q 30/02  
345/173  
9,317,170 B2 \* 4/2016 Lipman ..... G06F 3/046

\* cited by examiner

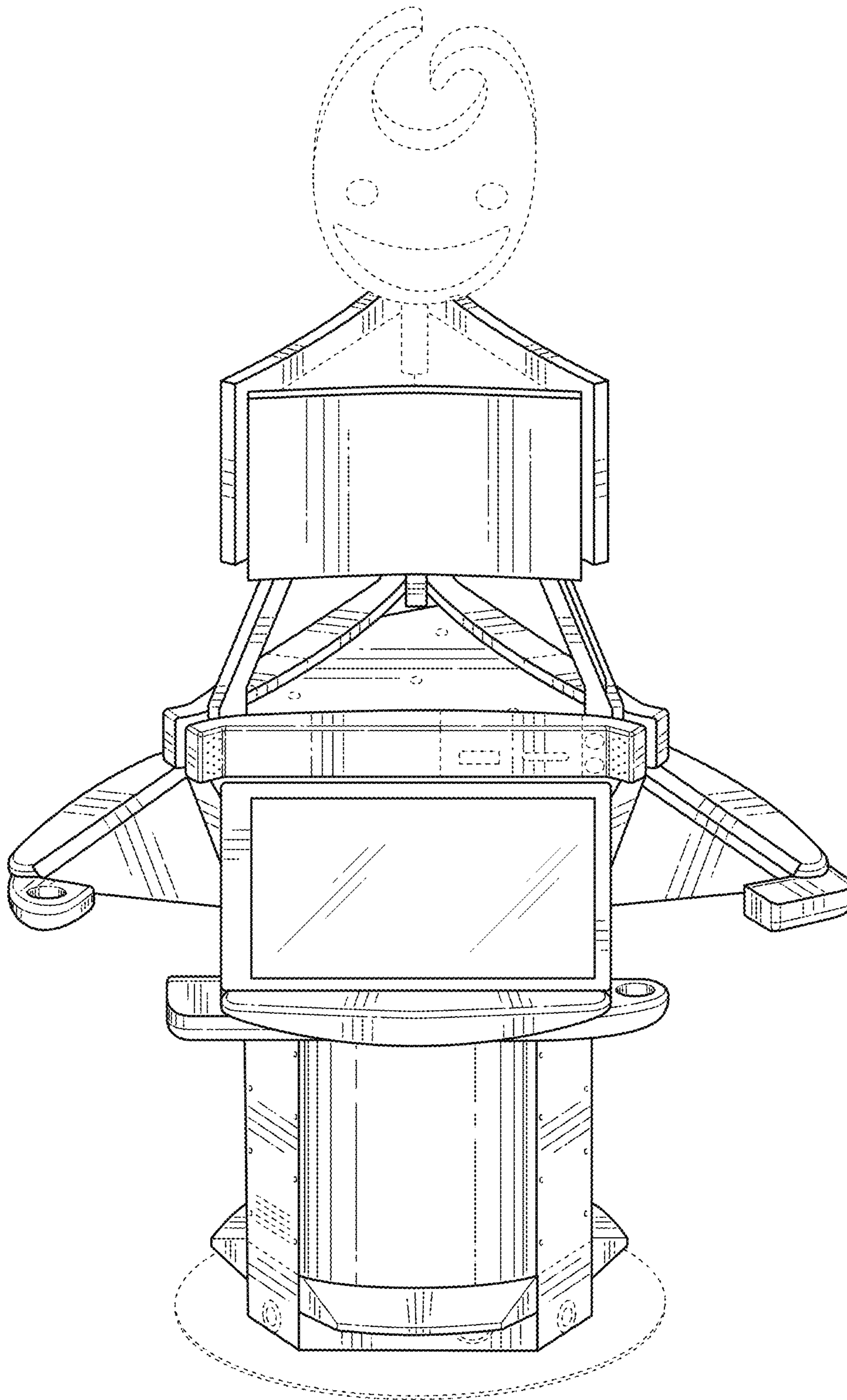


FIG. 1

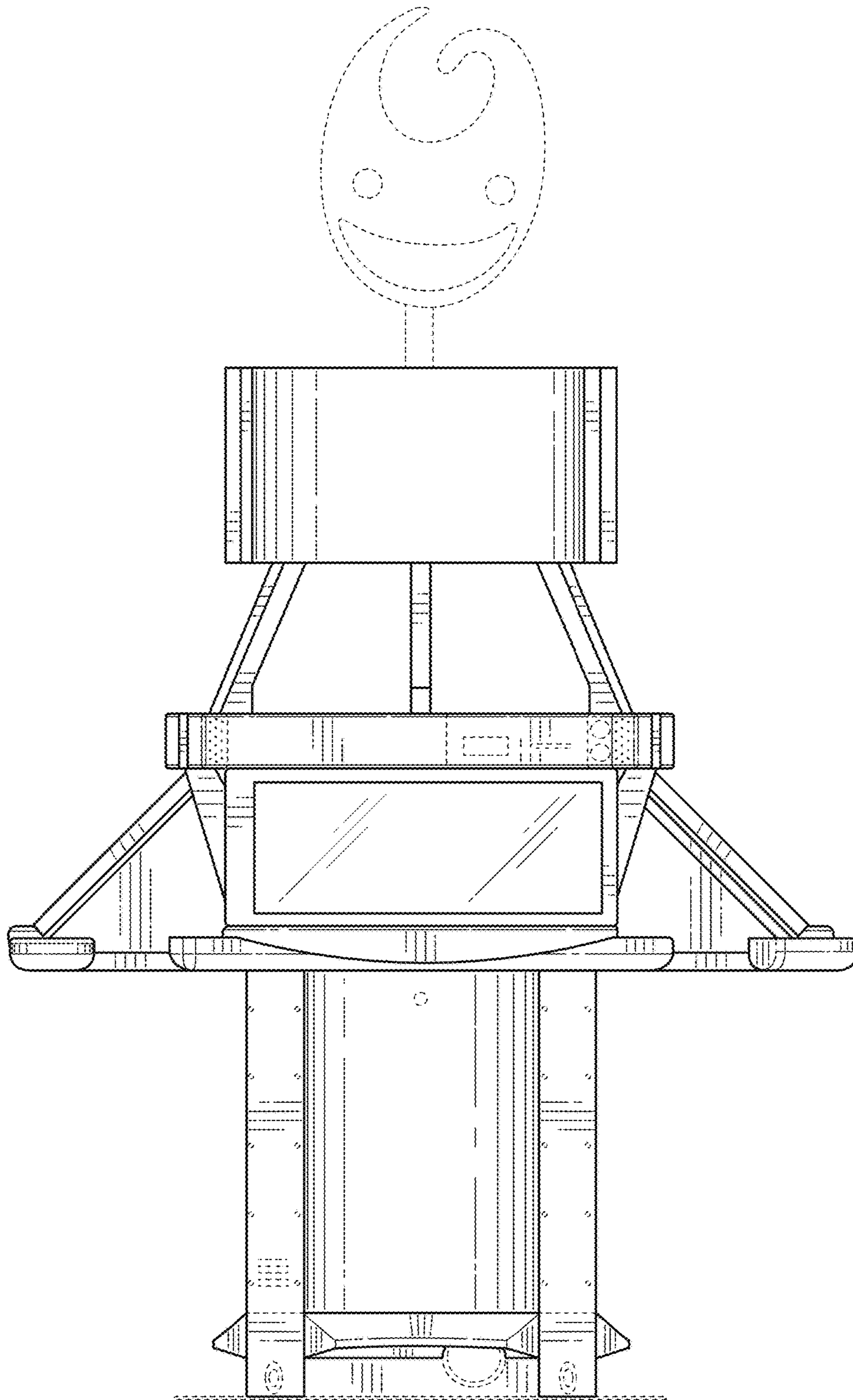


FIG. 2

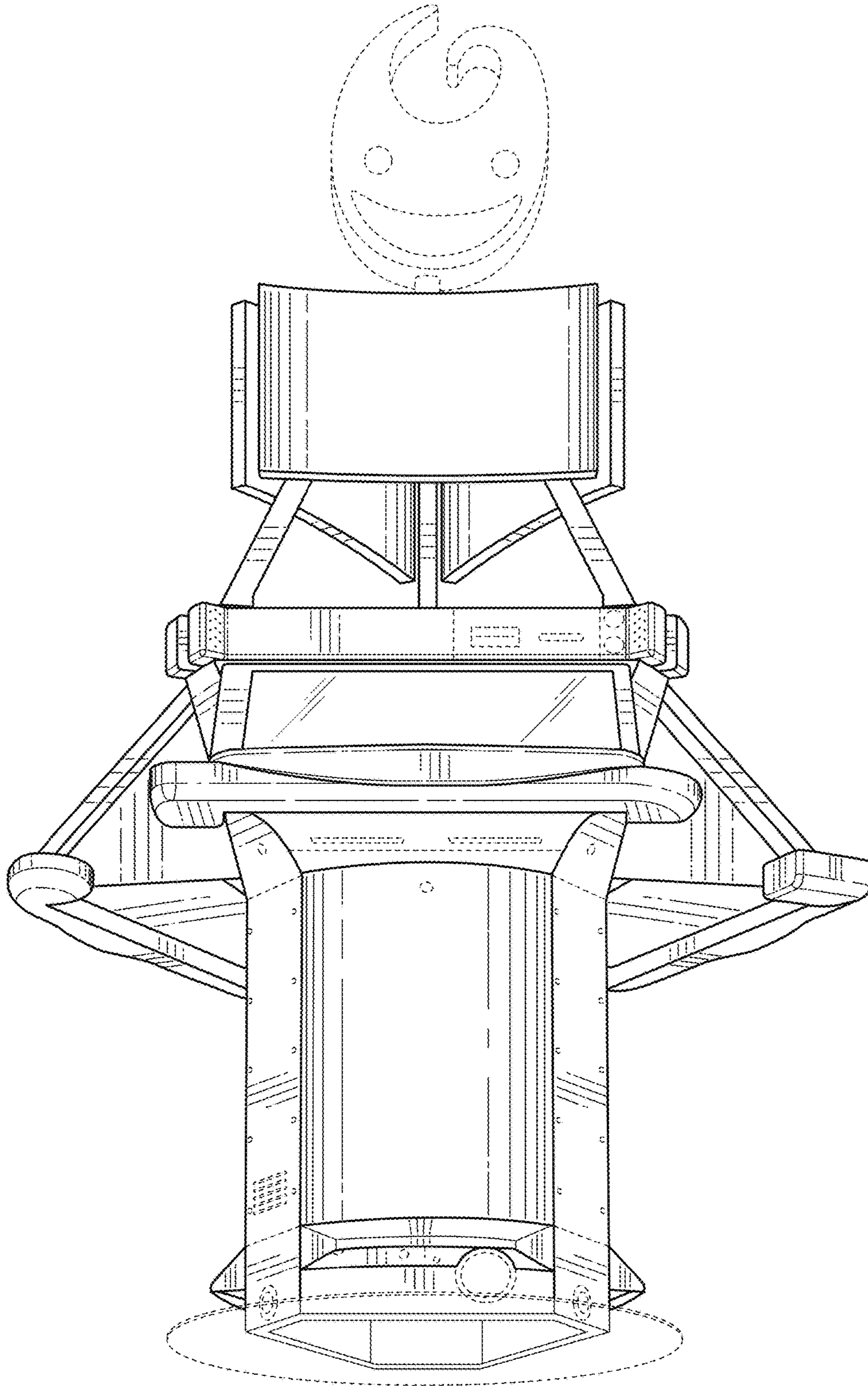


FIG. 3

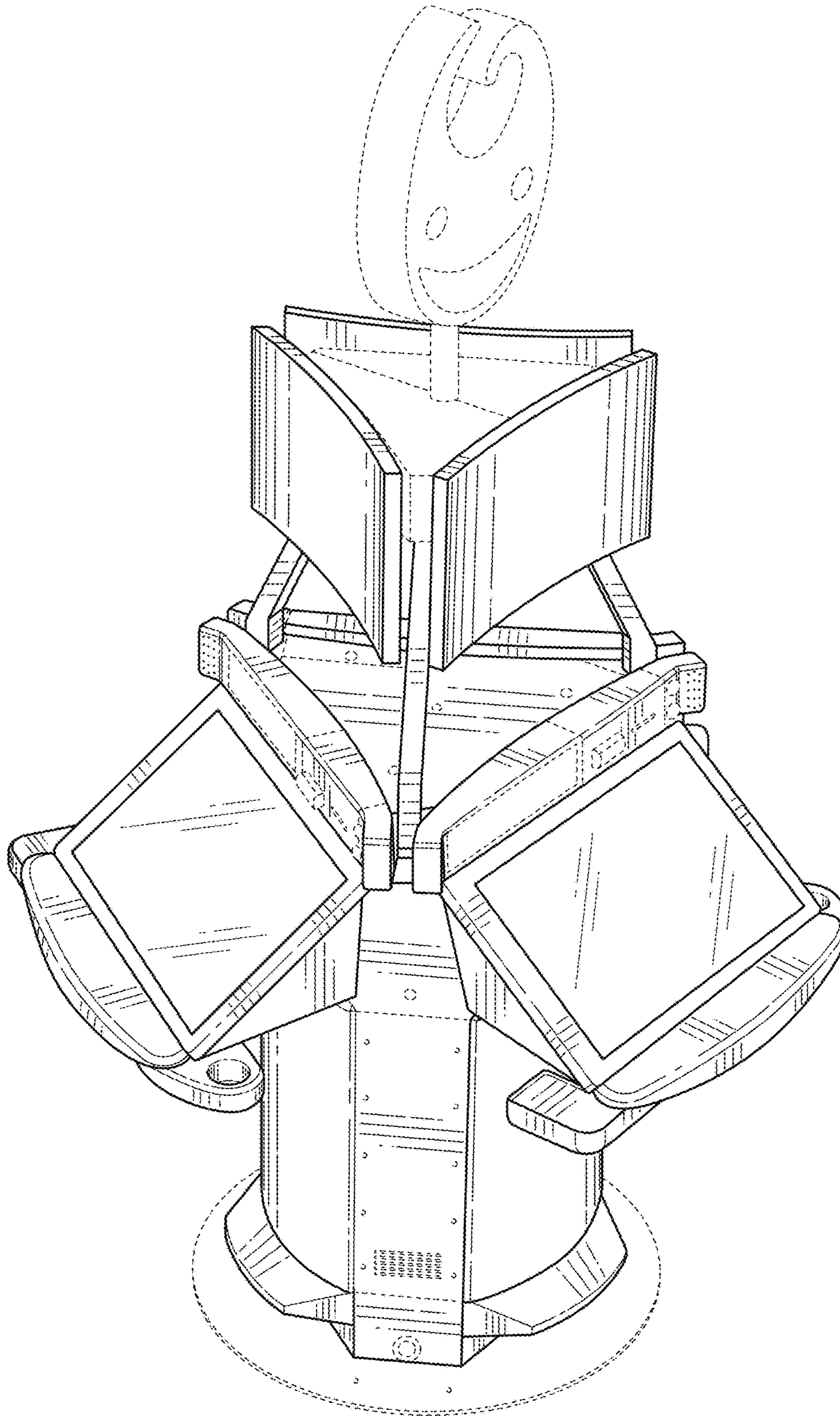


FIG. 4

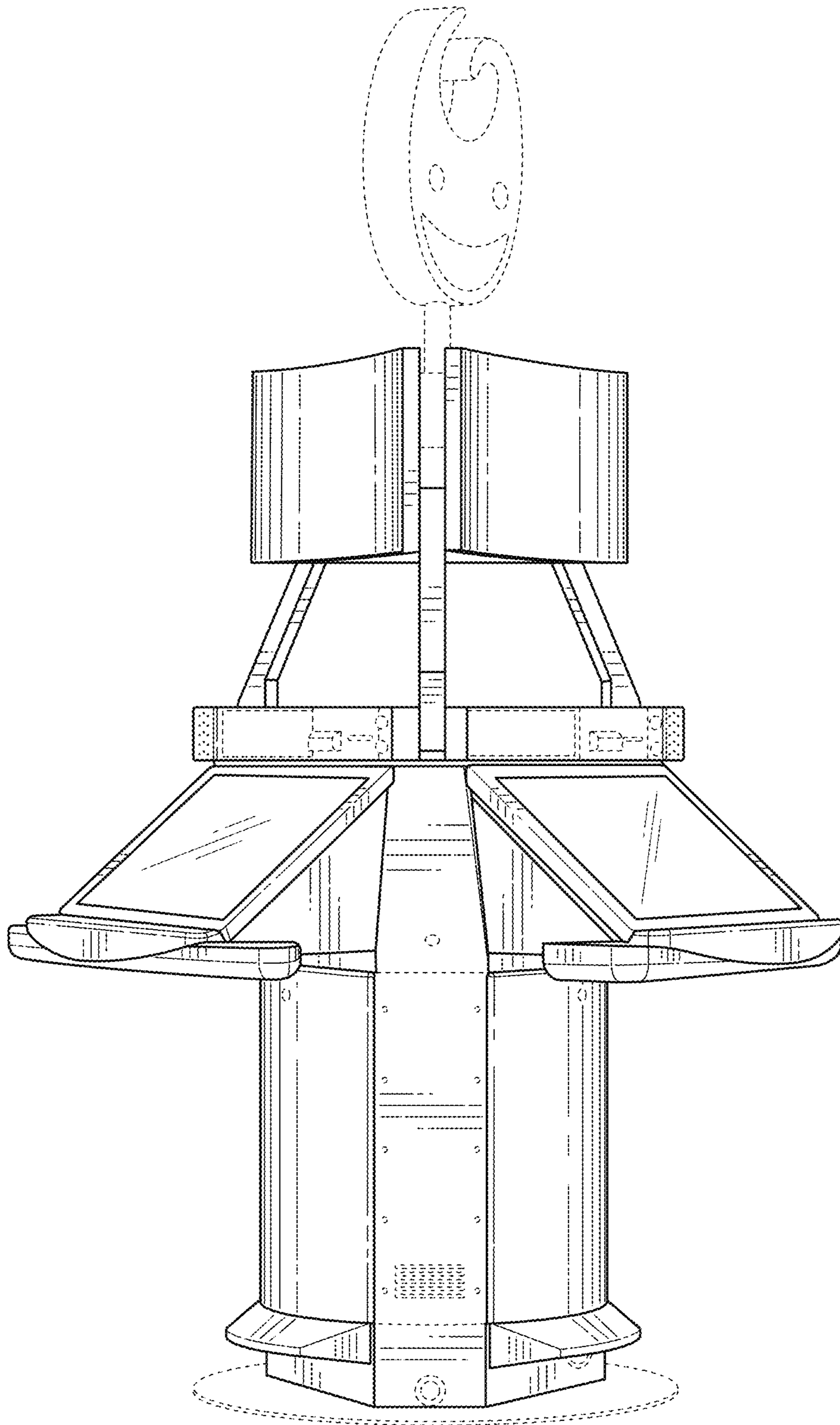


FIG. 5

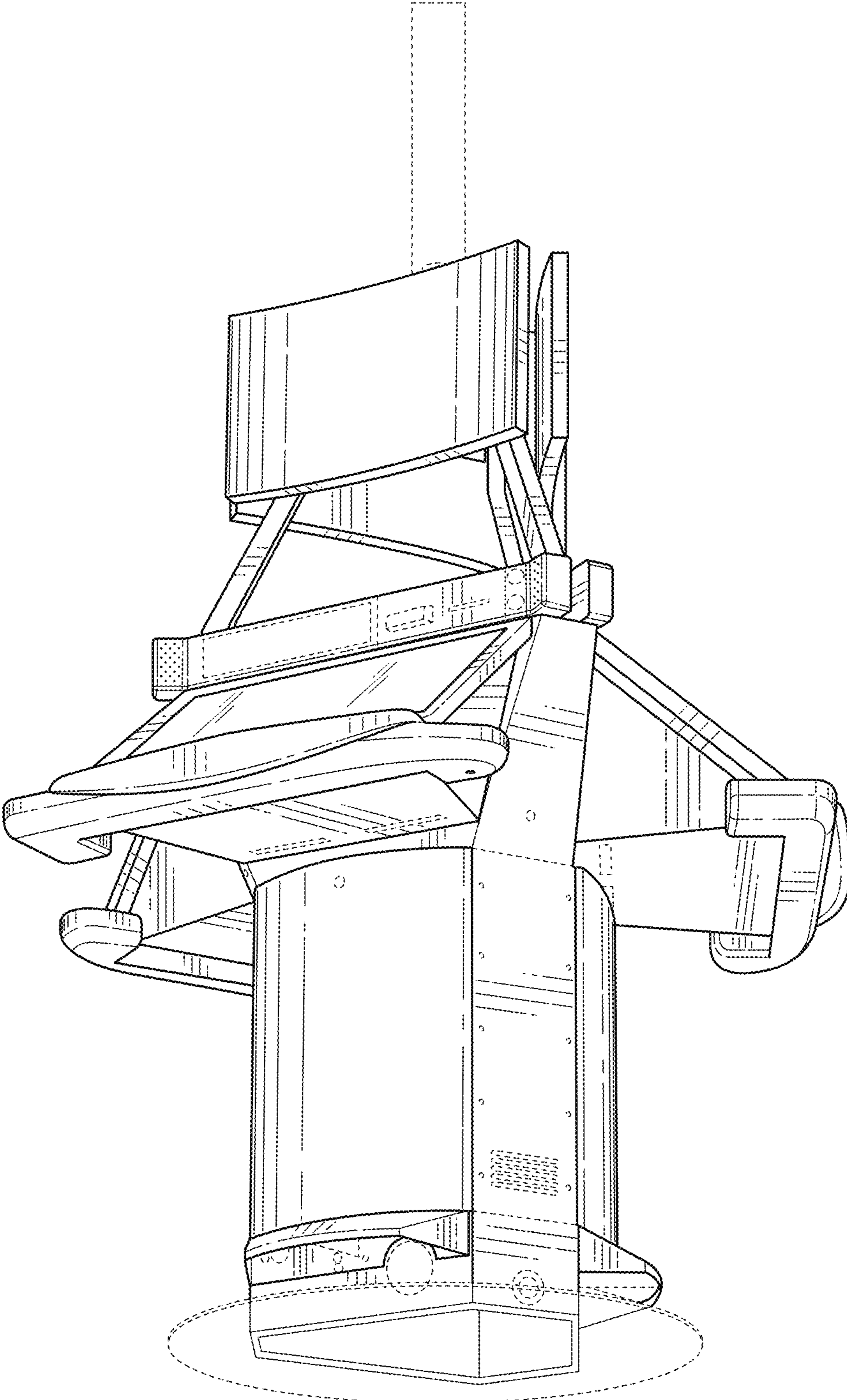


FIG. 6



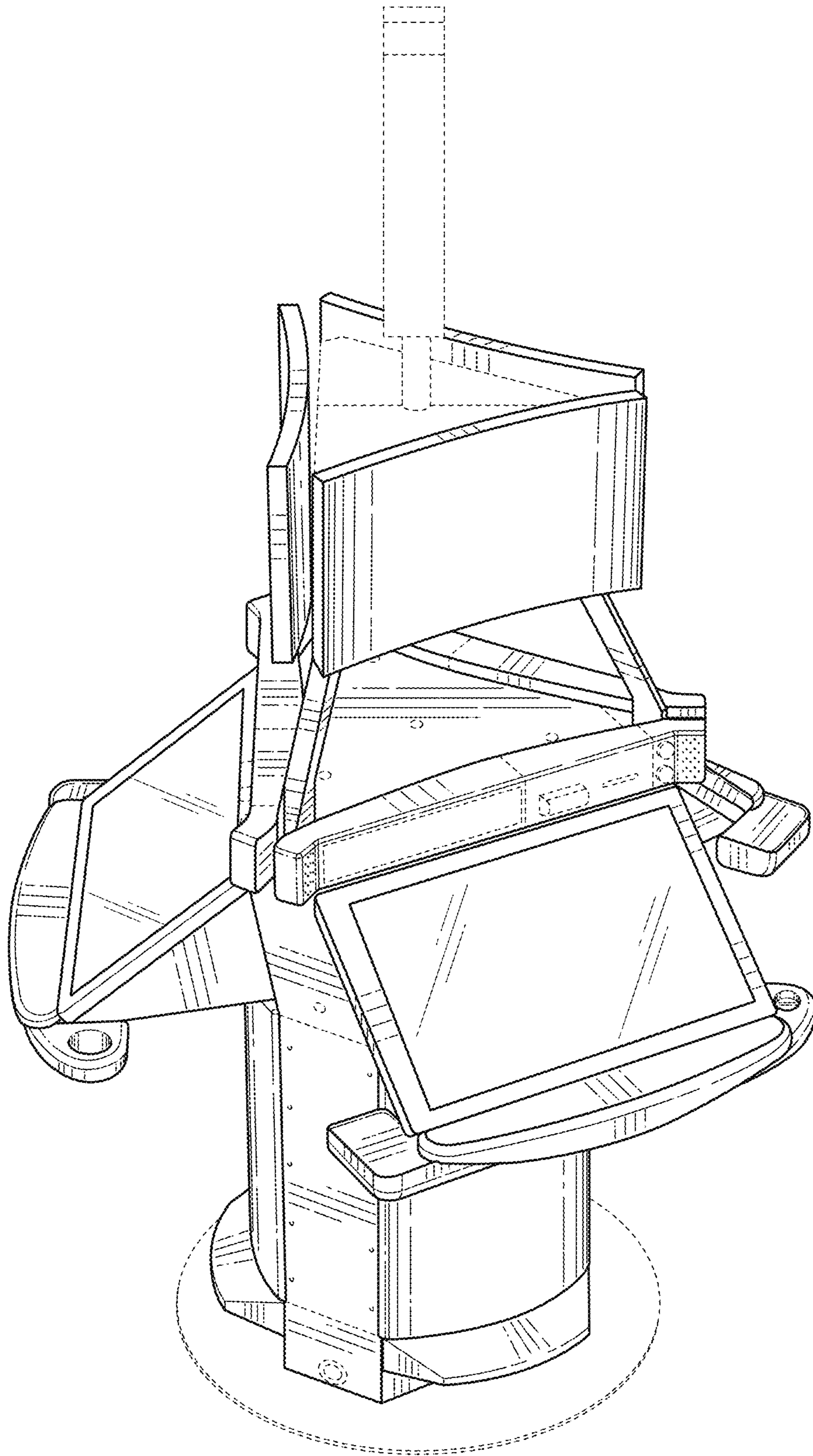


FIG. 7

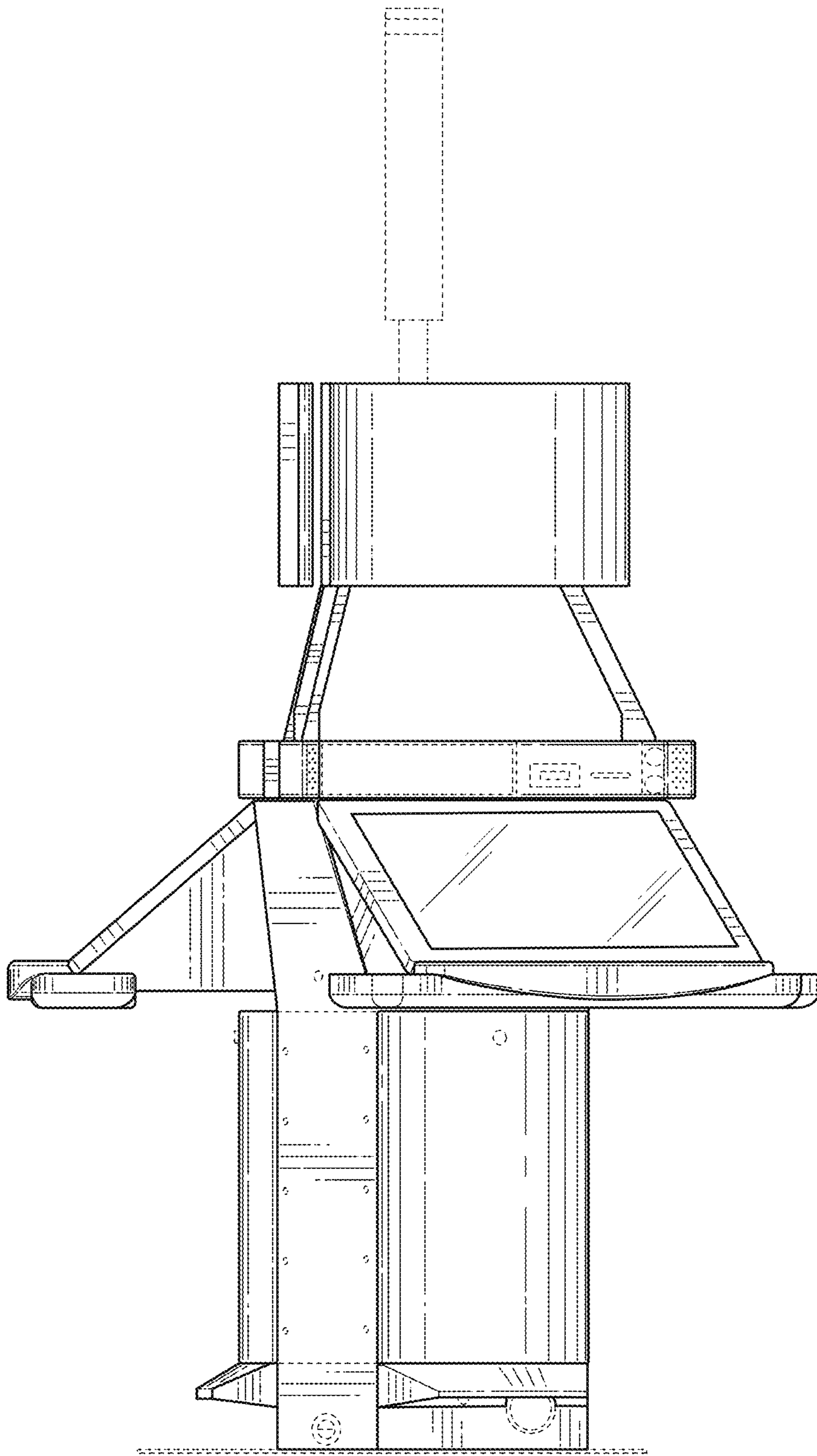


FIG. 8

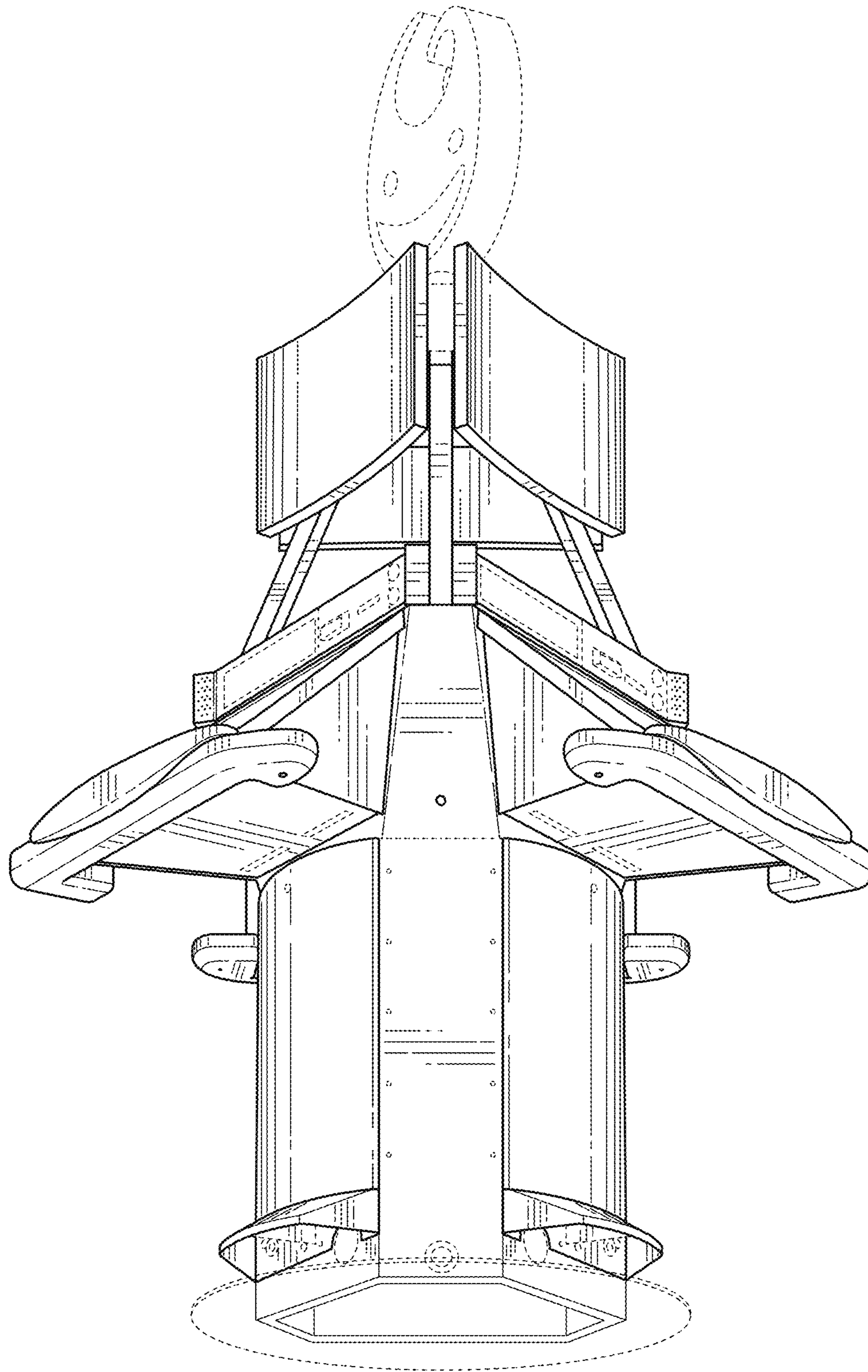


FIG. 9

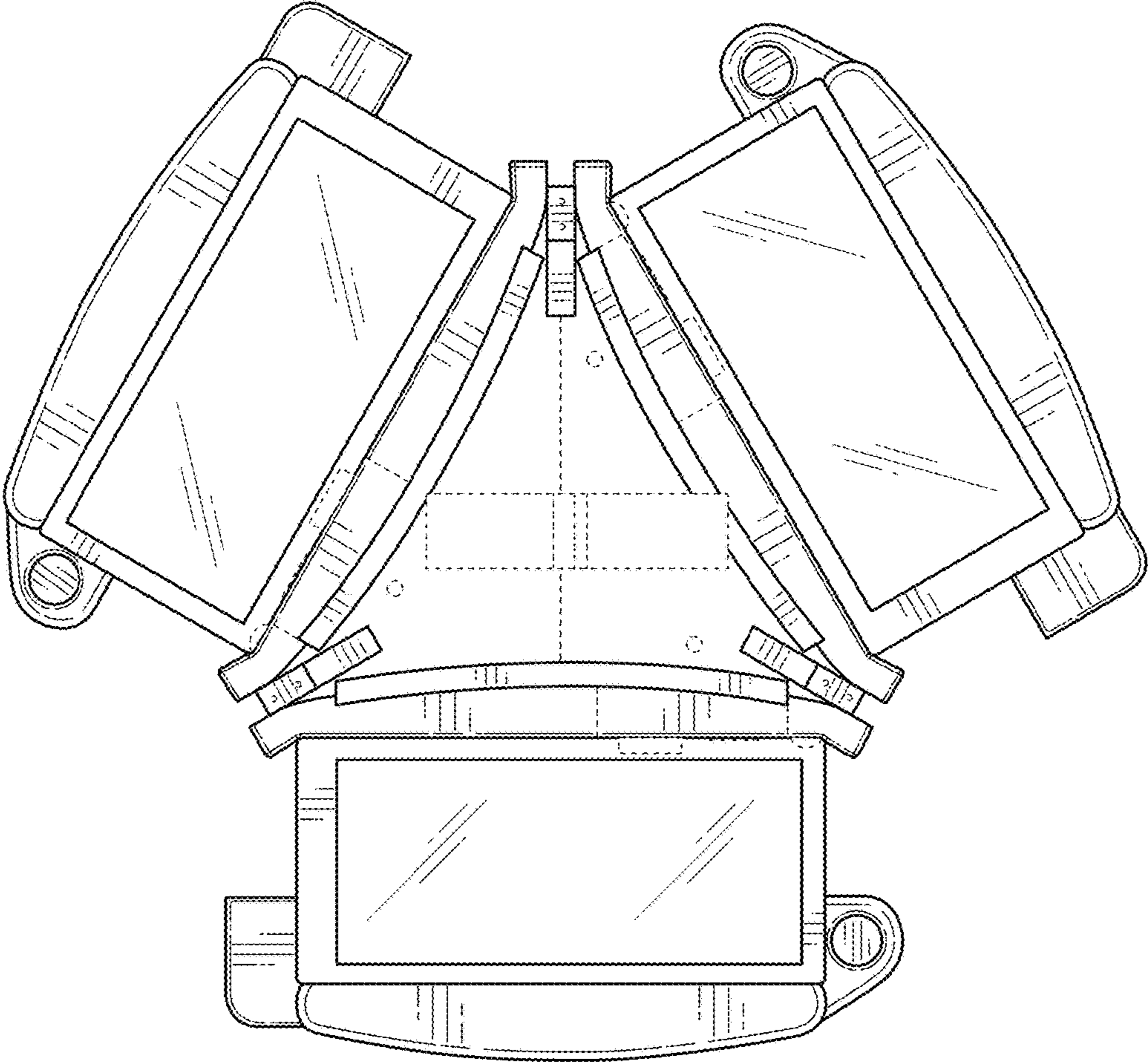


FIG. 10

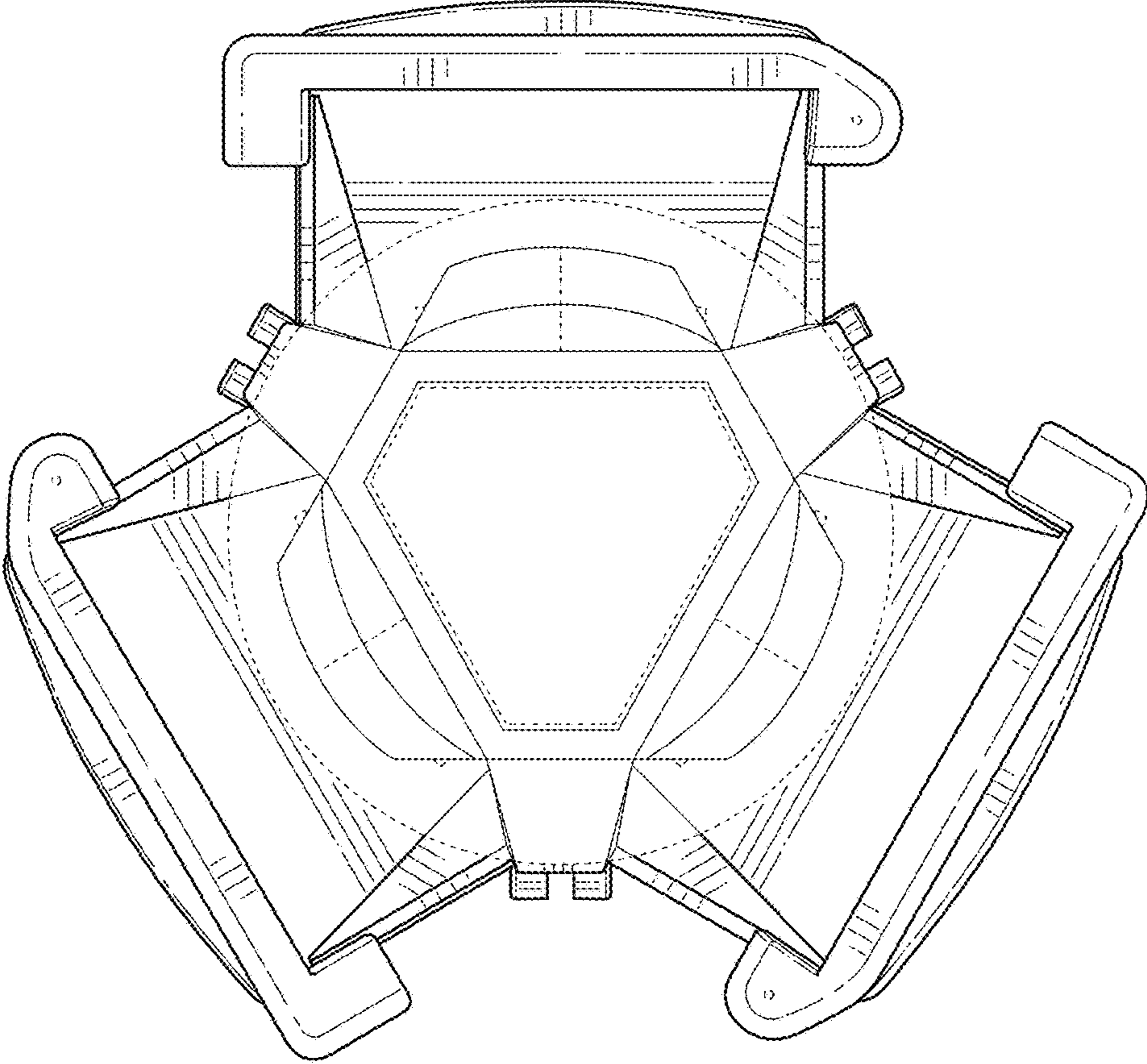


FIG. 11

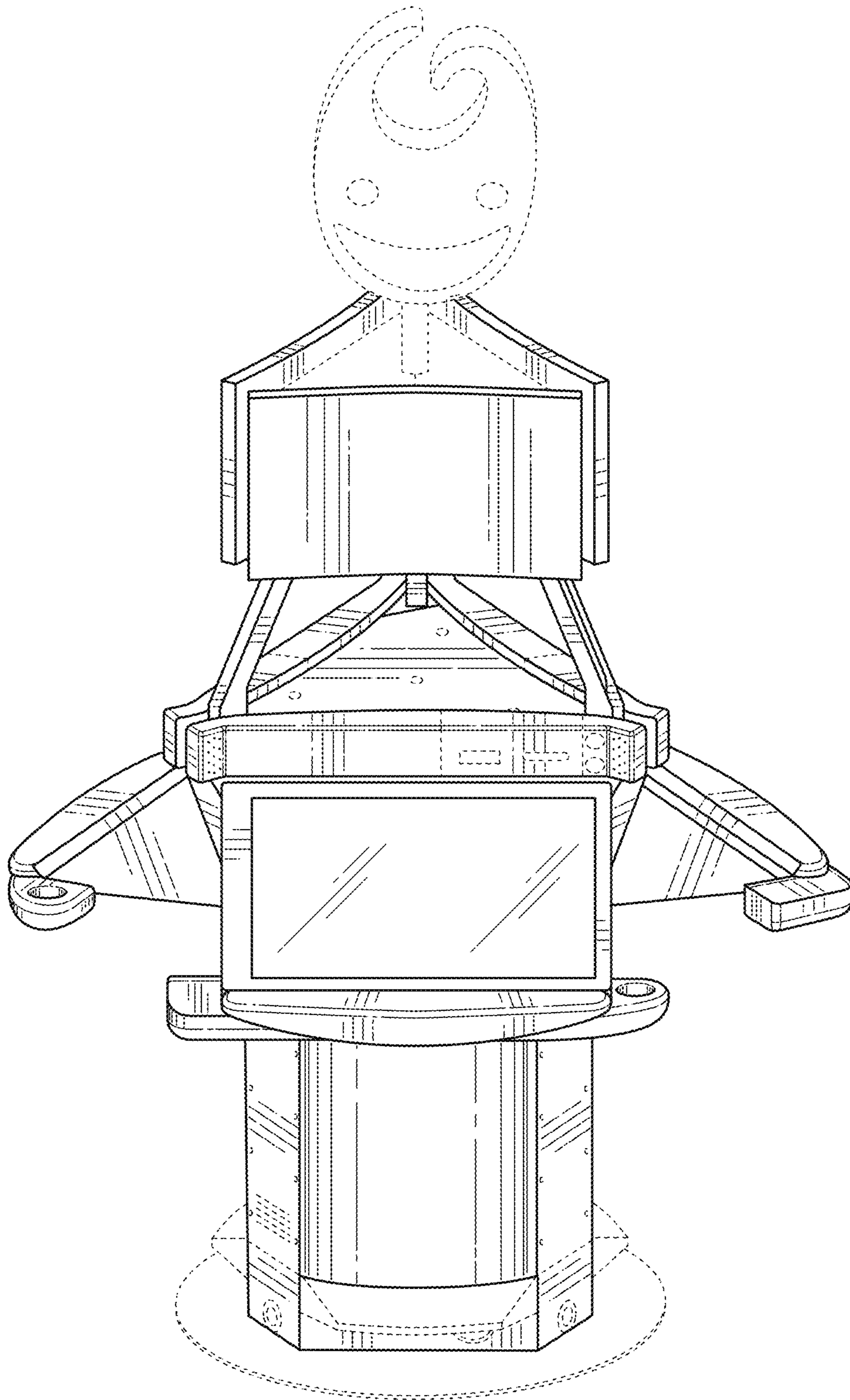


FIG. 12

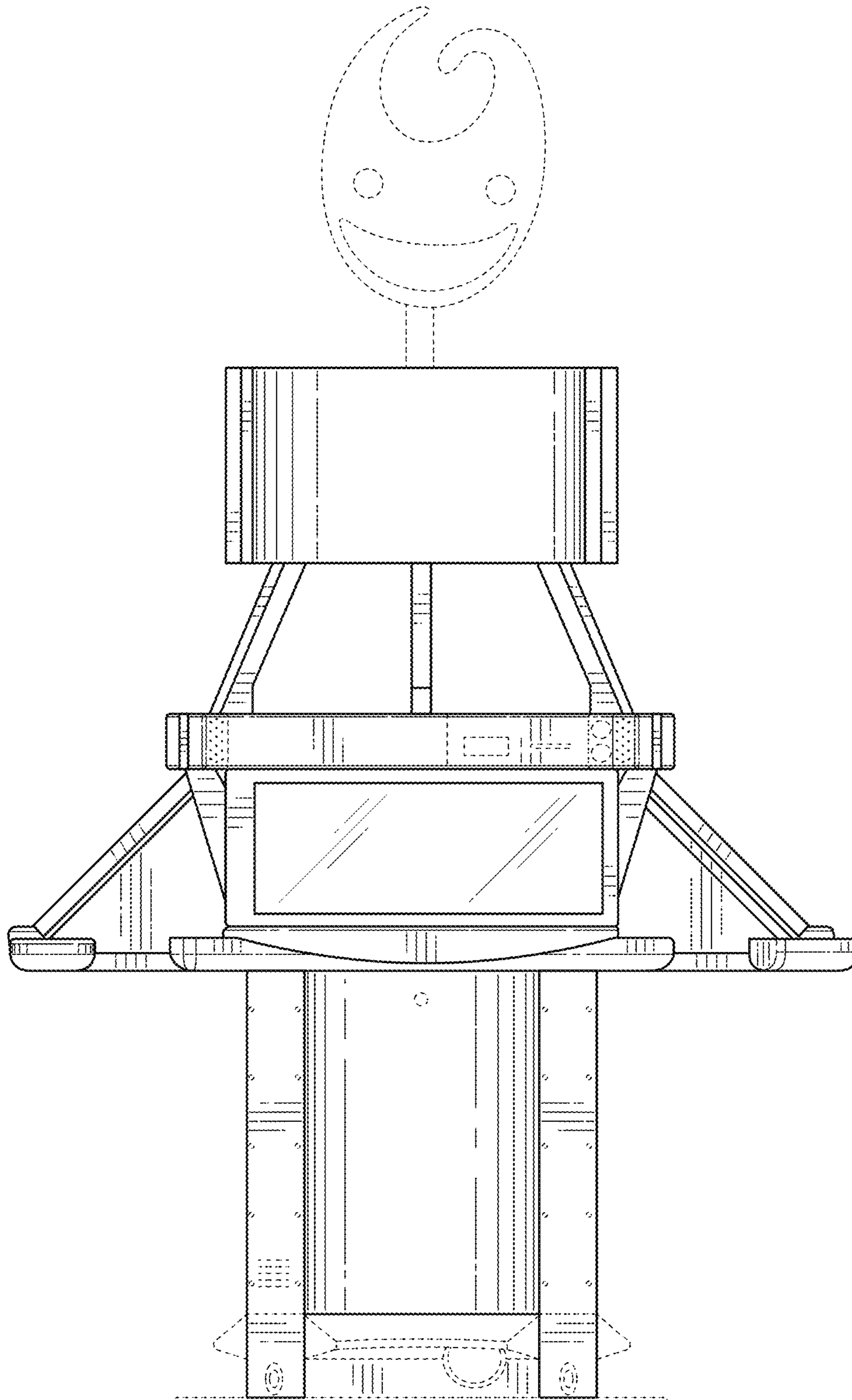


FIG. 13

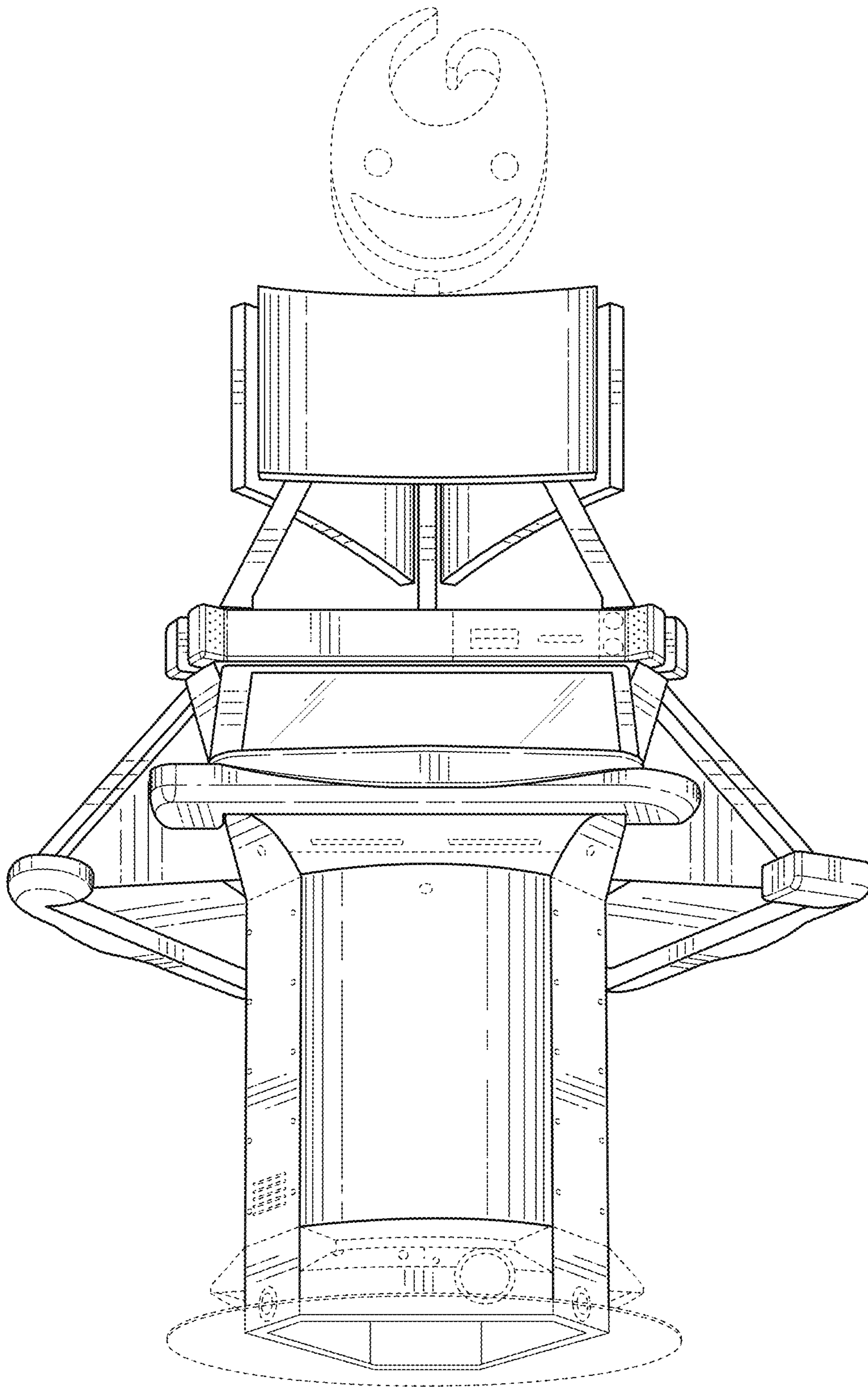


FIG. 14



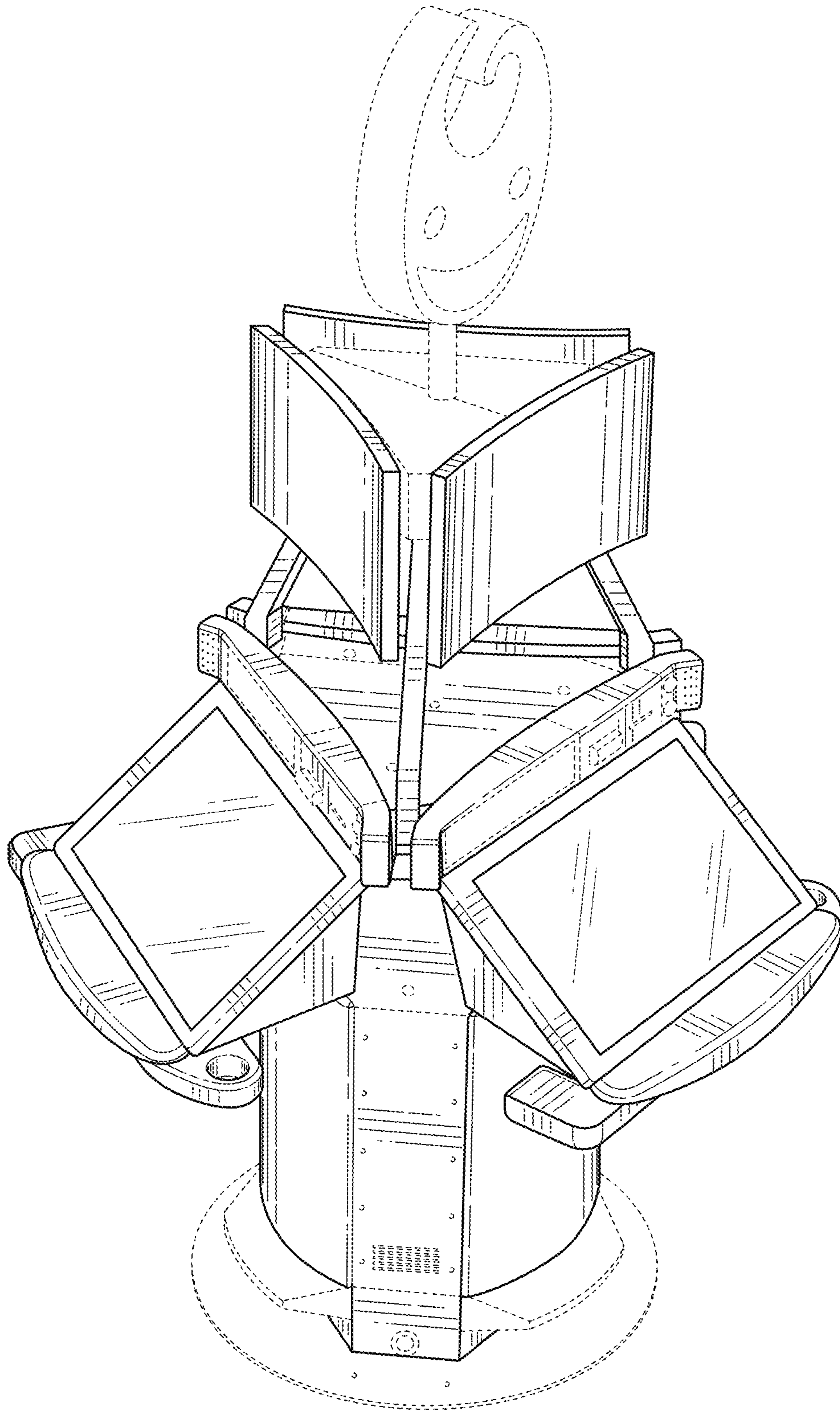


FIG. 15

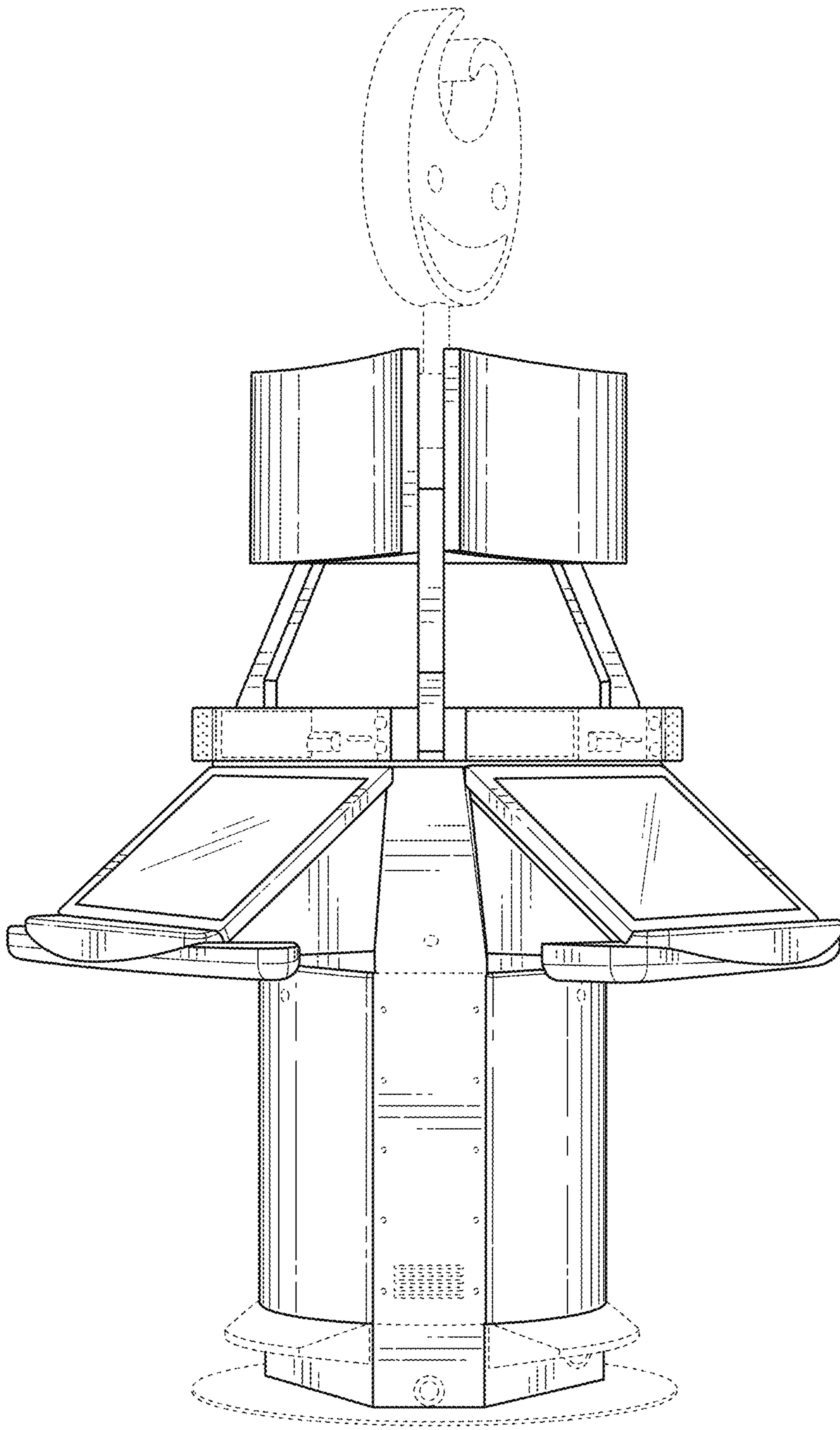


FIG. 16

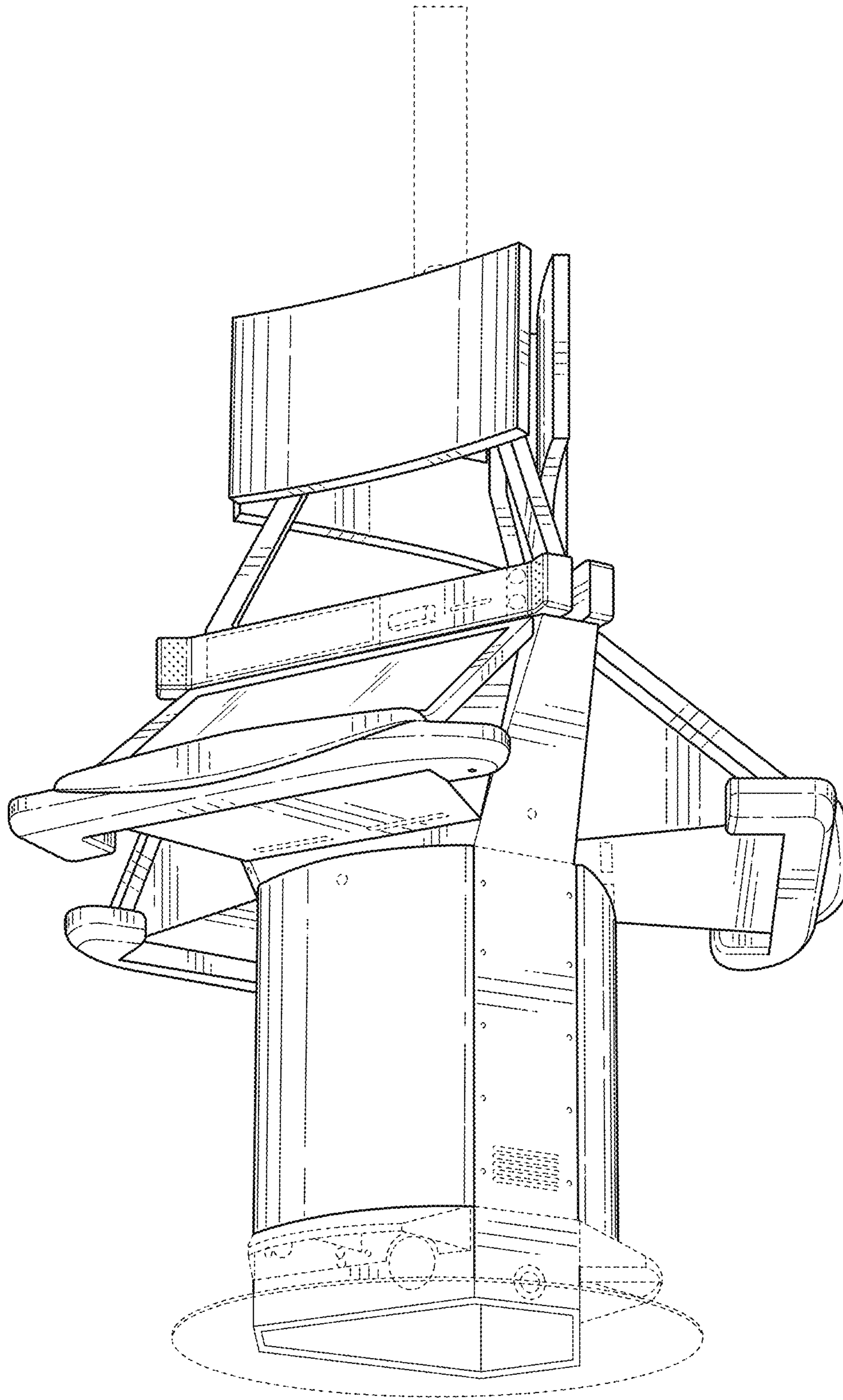


FIG. 17

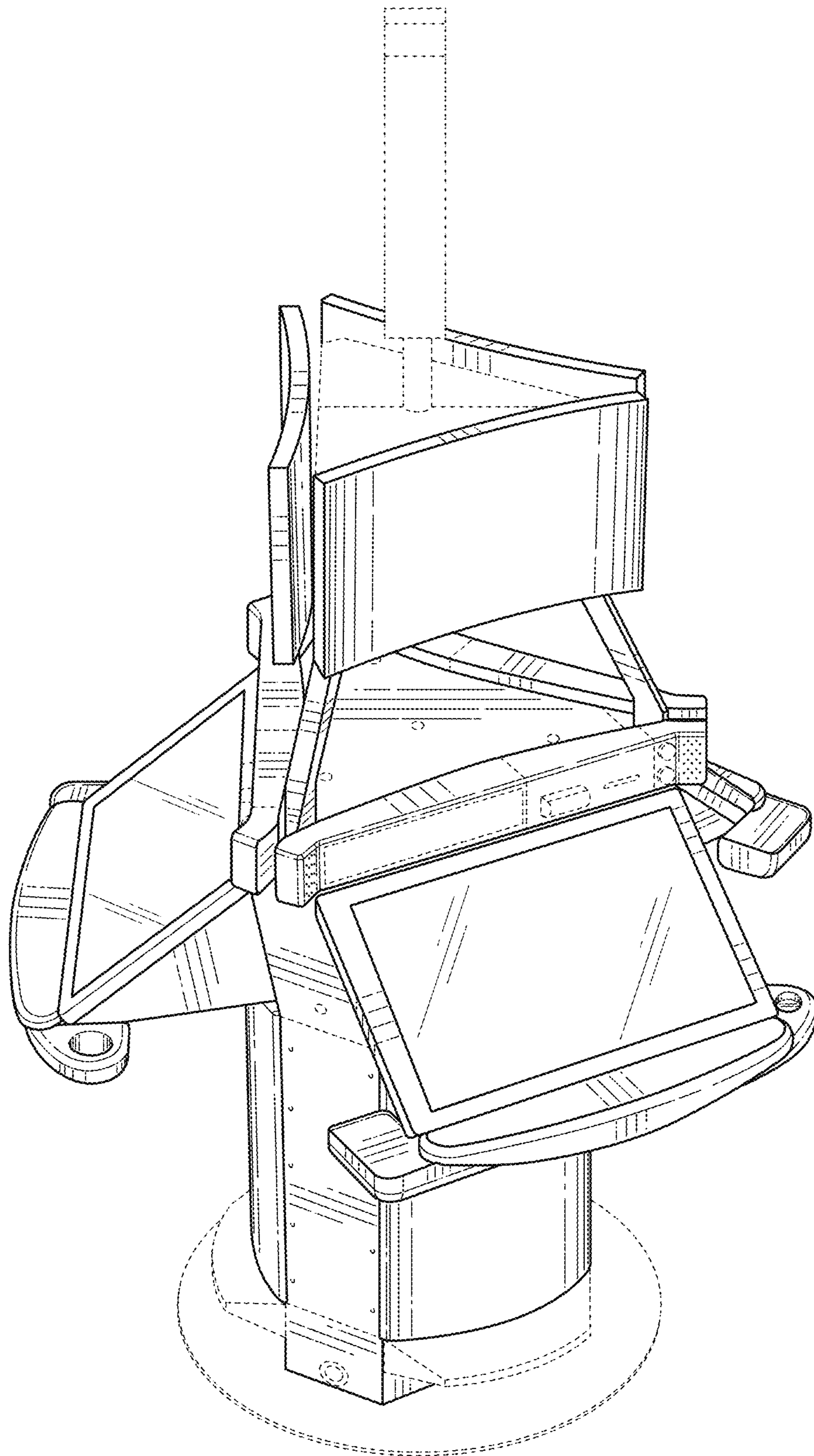


FIG. 18

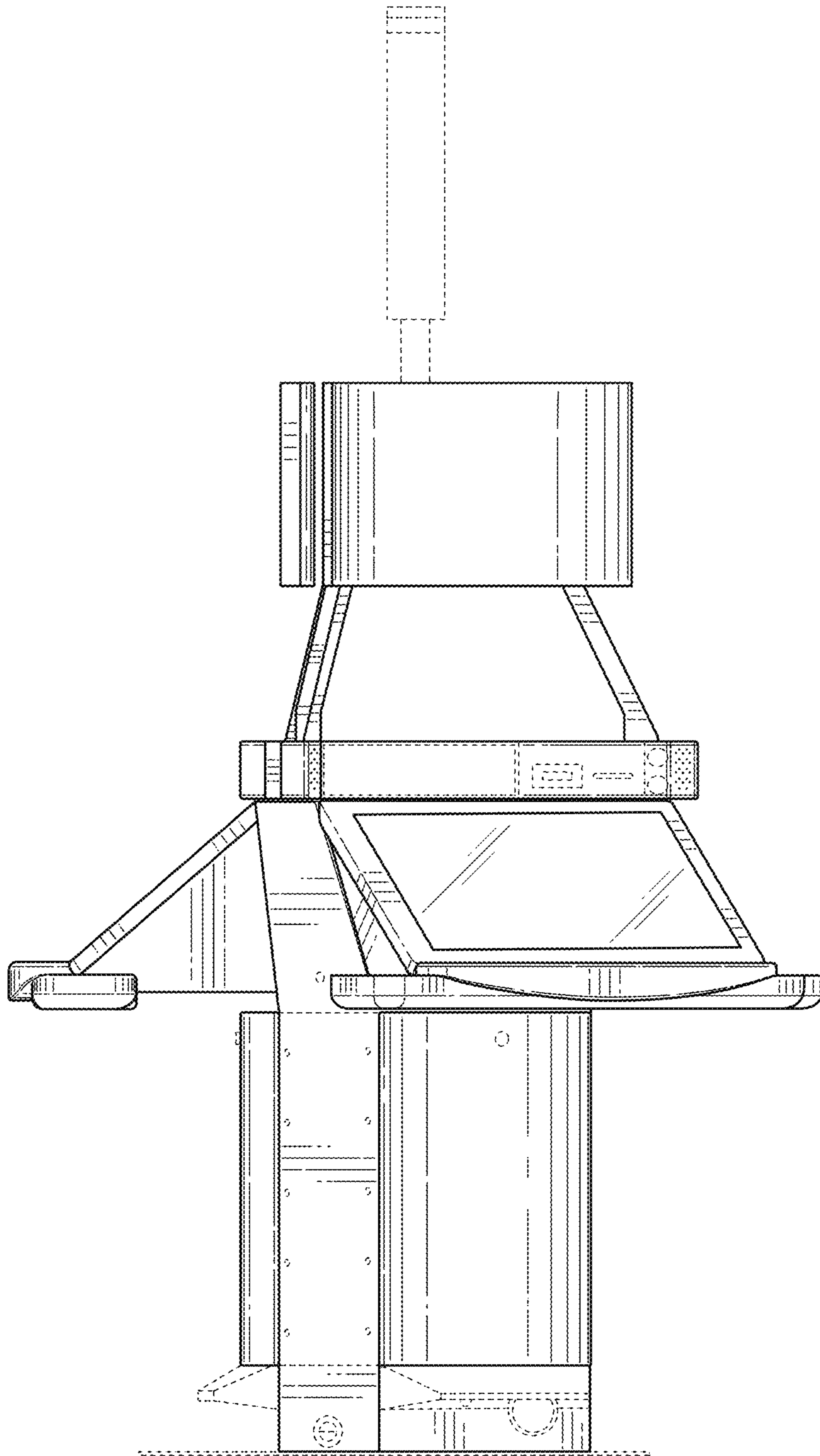


FIG. 19

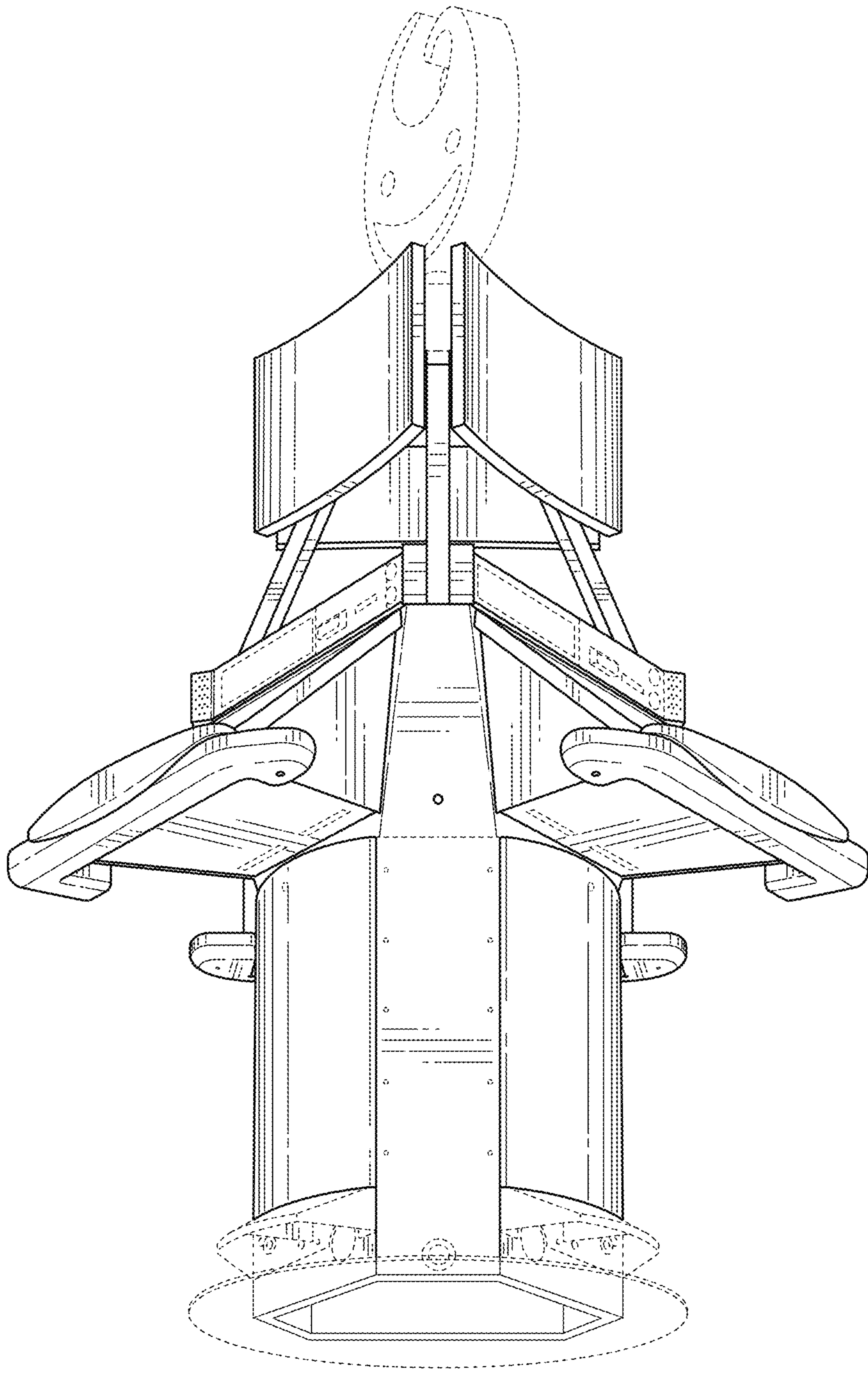


FIG. 20

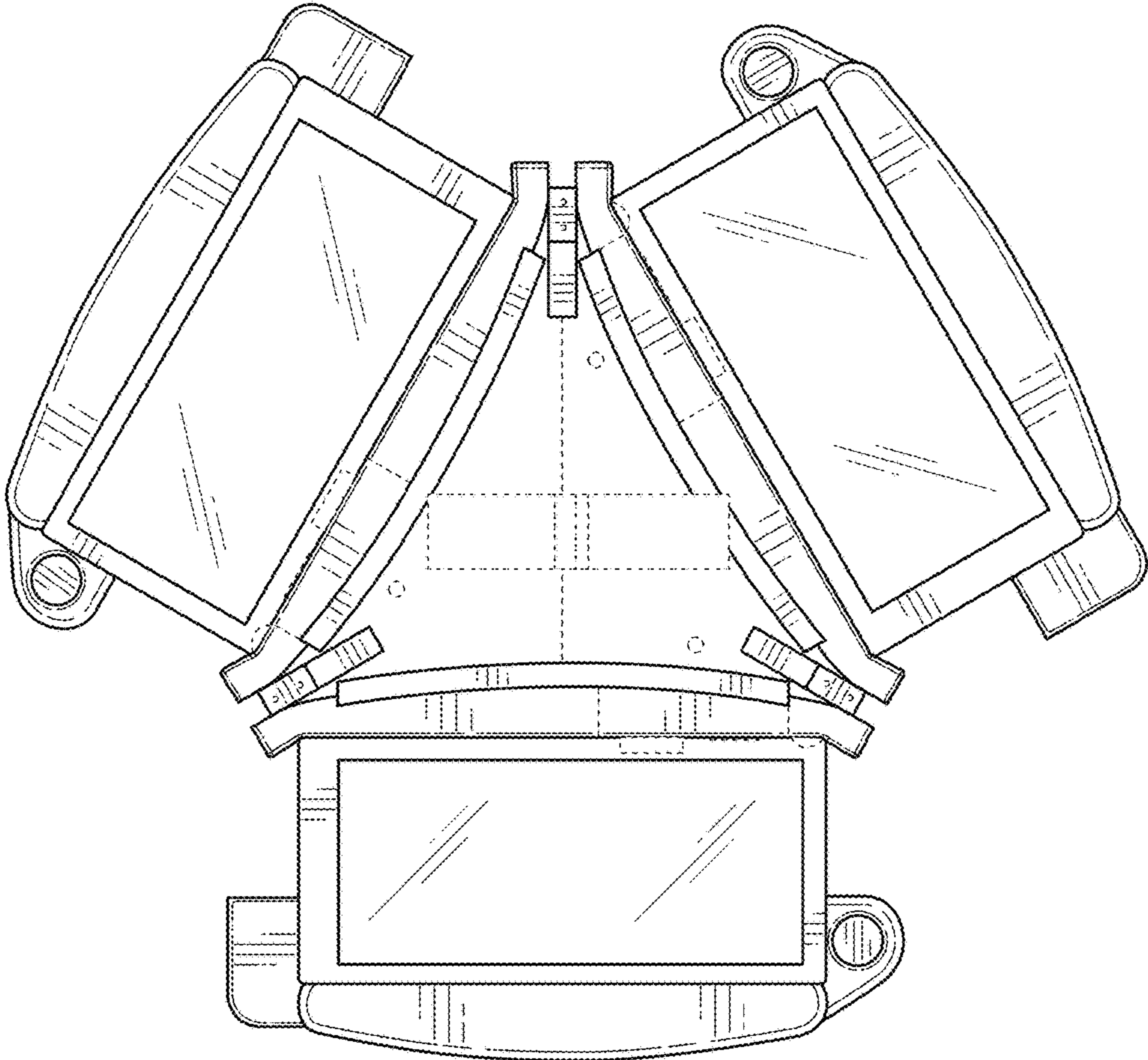


FIG. 21

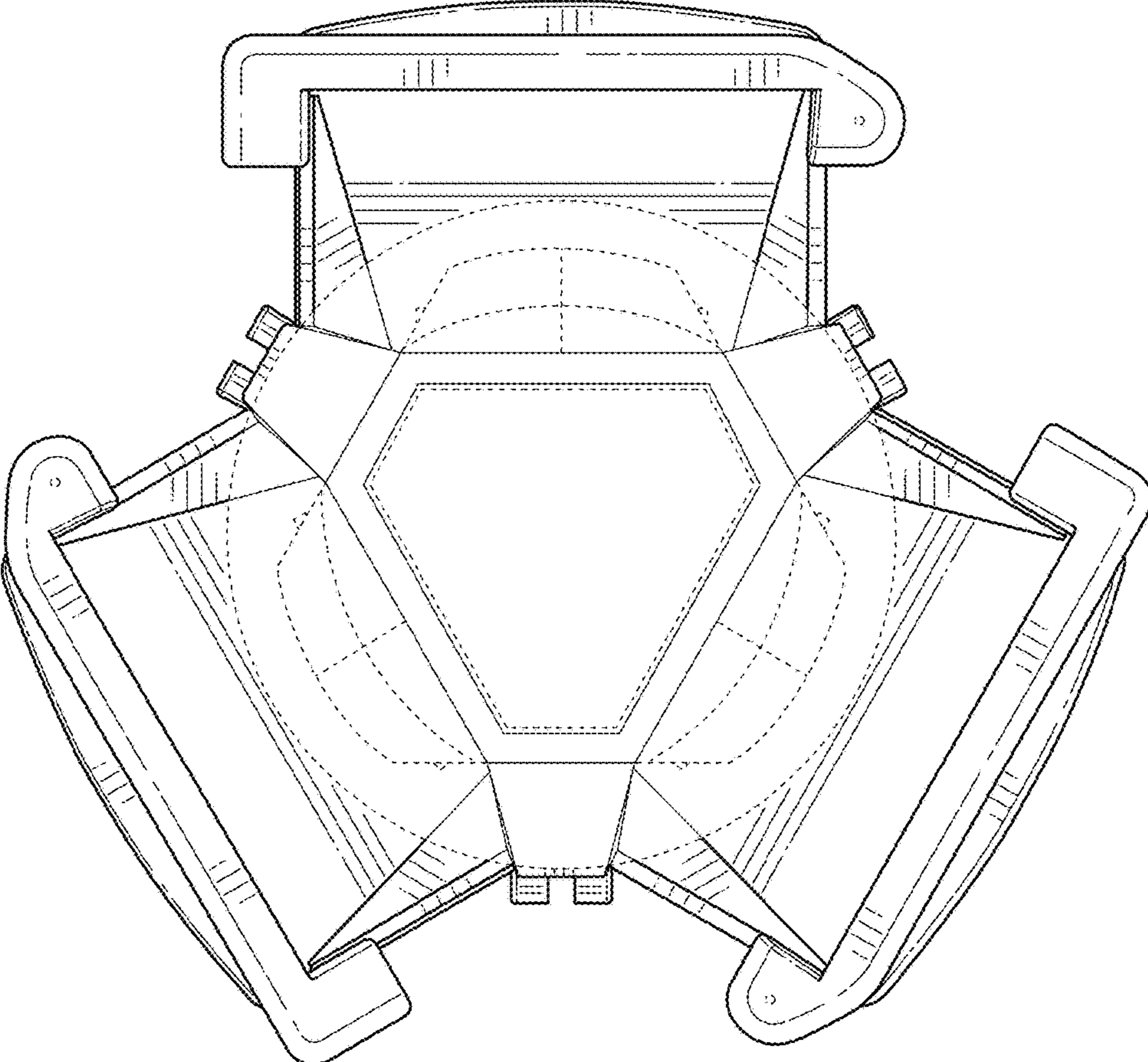


FIG. 22