



US00D780851S

(12) **United States Design Patent**
Kinney

(10) **Patent No.:** **US D780,851 S**
(45) **Date of Patent:** **** Mar. 7, 2017**

(54) **LIGHT EMITTING DIODE DISPLAY**

(71) Applicant: **William Jeffery Kinney**, Dallas, TX
(US)

(72) Inventor: **William Jeffery Kinney**, Dallas, TX
(US)

(**) Term: **14 Years**

(21) Appl. No.: **29/519,369**

(22) Filed: **Mar. 4, 2015**

(51) **LOC (10) Cl.** **20-03**

(52) **U.S. Cl.**
USPC **D20/16**

(58) **Field of Classification Search**
USPC D20/10, 13, 16, 19, 29, 99
CPC ... G09F 5/00; G09F 7/00; G09F 13/00; G09F
19/00; G09F 19/10
See application file for complete search history.

(56) **References Cited**

U.S. PATENT DOCUMENTS

D29,193 S *	8/1898	Barnes	D20/16
D174,935 S *	6/1955	Barefoot	D11/99
D198,663 S *	7/1964	Escalante	D20/29
D198,975 S *	8/1964	Holmes	D11/108
3,979,826 A *	9/1976	Koch	B26B 13/20 30/341
5,031,345 A	7/1991	Kinney		
D324,078 S	2/1992	Kinney		
5,131,176 A	7/1992	Kinney		

* cited by examiner

Primary Examiner — Mary Ann Calabrese

(74) *Attorney, Agent, or Firm* — Andrew W. Chu; Craft
Chu PLLC

(57) **CLAIM**

The ornamental design for a light emitting diode display, as
shown and described.

DESCRIPTION

FIG. 1 is an upper perspective view of the light emitting
diode display showing my design, showing an opened
configuration of the scissor elements and a housing and
cables in broken lines.

FIG. 2 is a front elevation view thereof, showing the opened
configuration of the scissor elements and the housing and
cables in broken lines;

FIG. 3 is a back elevation view thereof, showing the opened
configuration of the scissor elements and the housing and
cables in broken lines;

FIG. 4 is a side elevation view thereof, showing the opened
configuration of the scissor elements and the housing and
cables in broken lines;

FIG. 5 is an opposite side elevation view thereof, showing
the opened configuration of the scissor elements and the
housing and cables in broken lines;

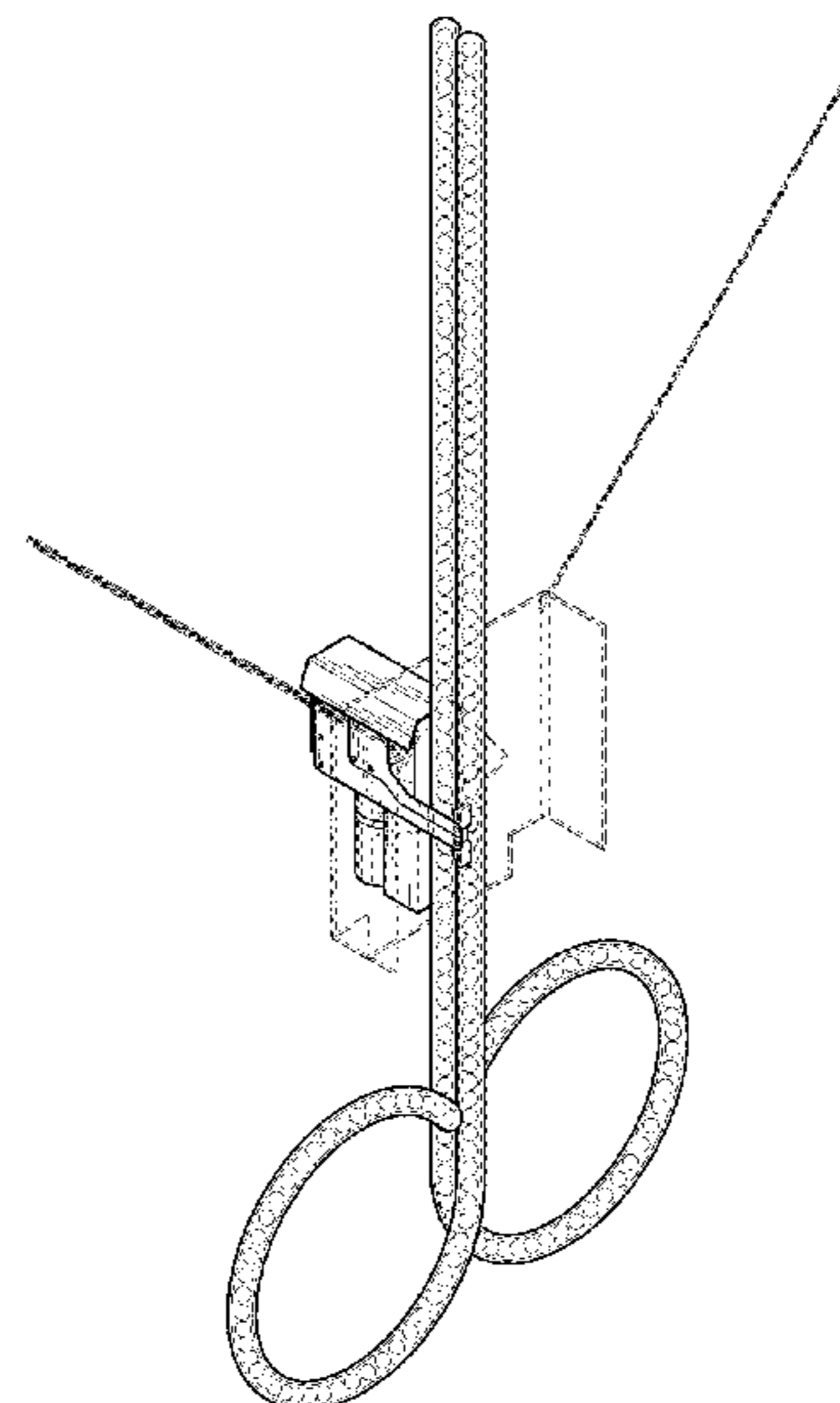
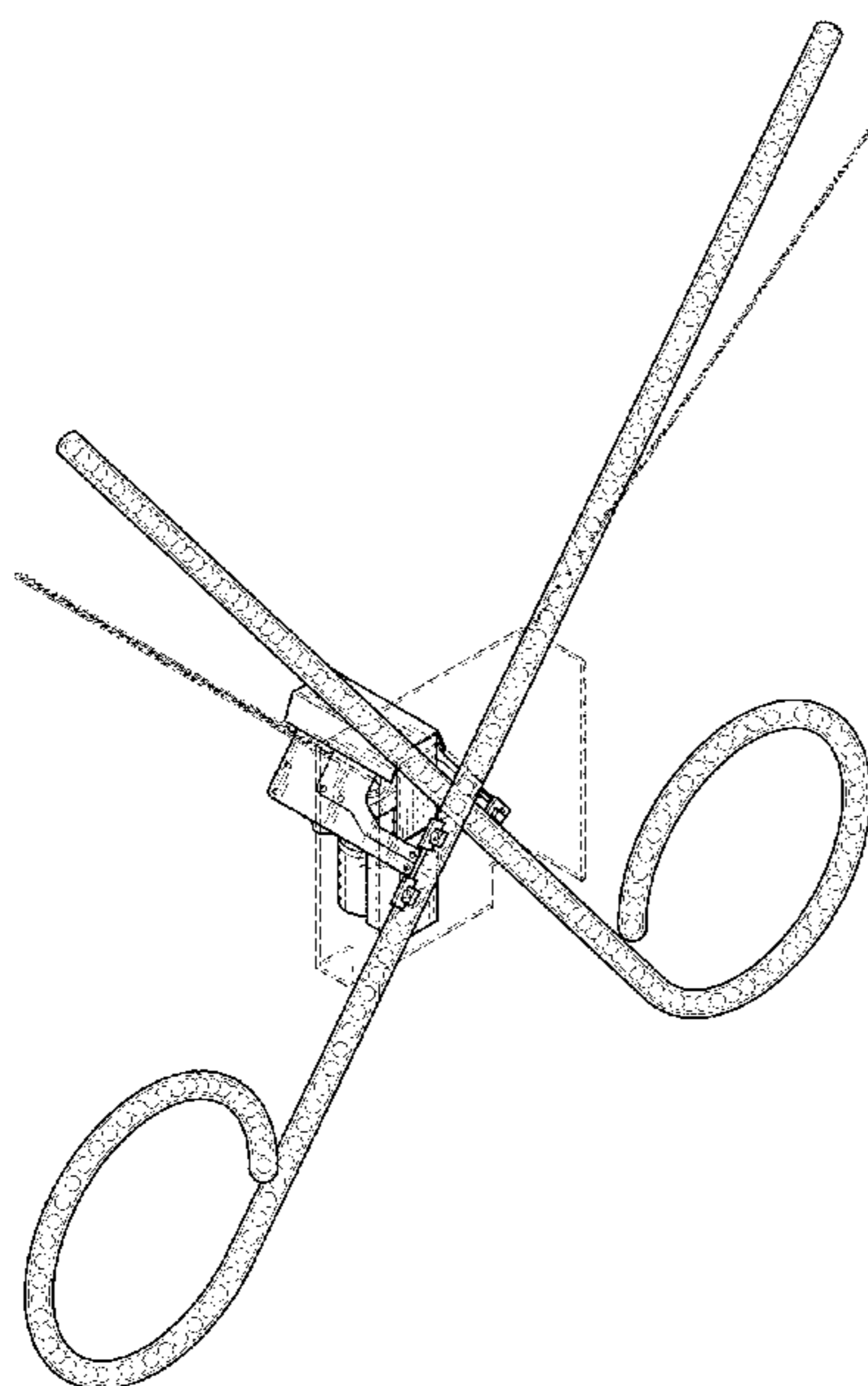
FIG. 6 is a top plan view thereof, showing the opened
configuration of the scissor elements and the housing and
cables in broken lines;

FIG. 7 is a bottom plan view thereof, showing the opened
configuration of the scissor elements and the housing and
cables in broken lines; and,

FIG. 8 is another upper perspective view thereof, showing a
closed configuration of the scissor elements and the housing
and cables in broken lines.

The broken lines showing the housing and cables illustrate
environment that form no part of the claimed design.

1 Claim, 5 Drawing Sheets



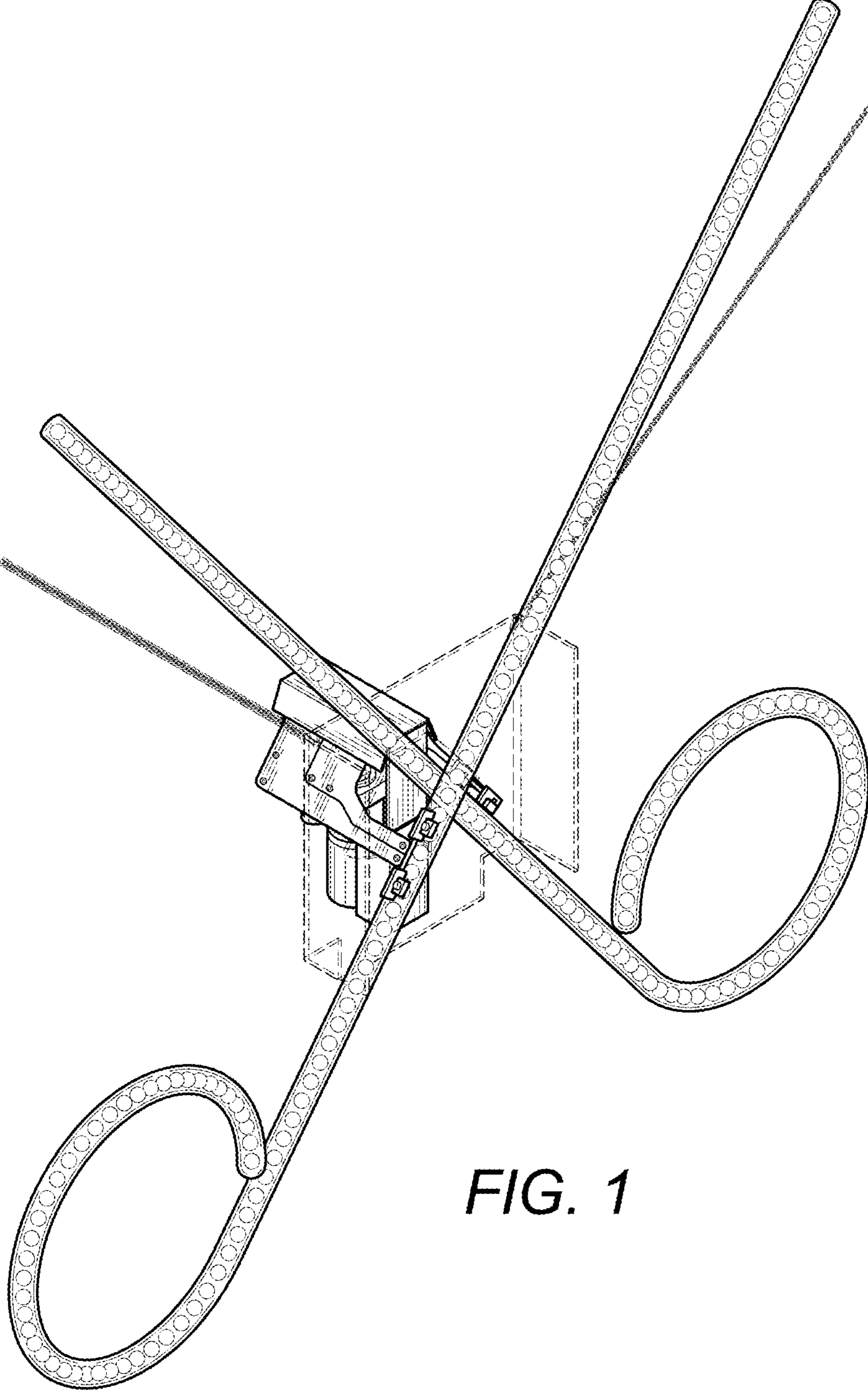


FIG. 1

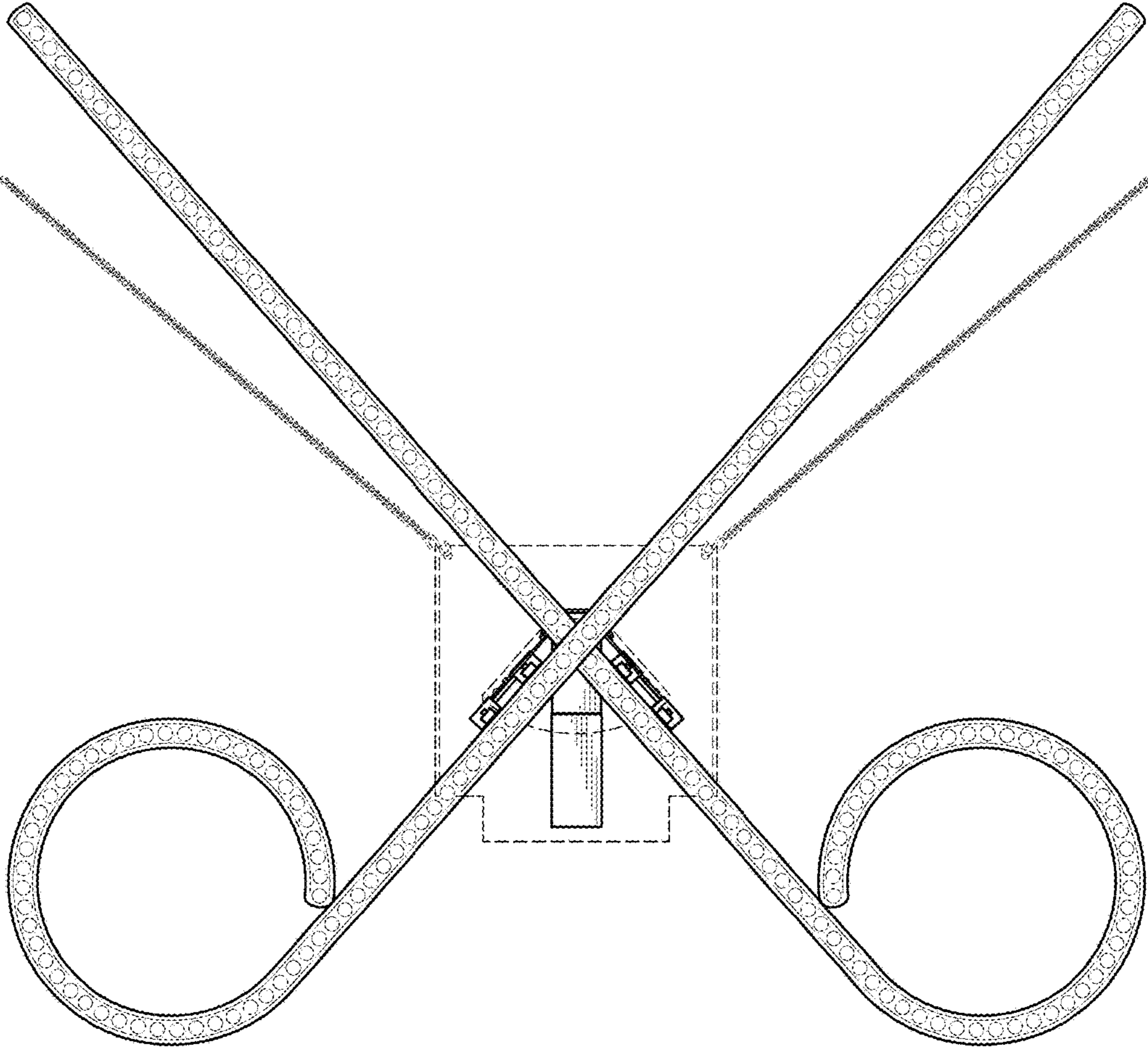


FIG. 2

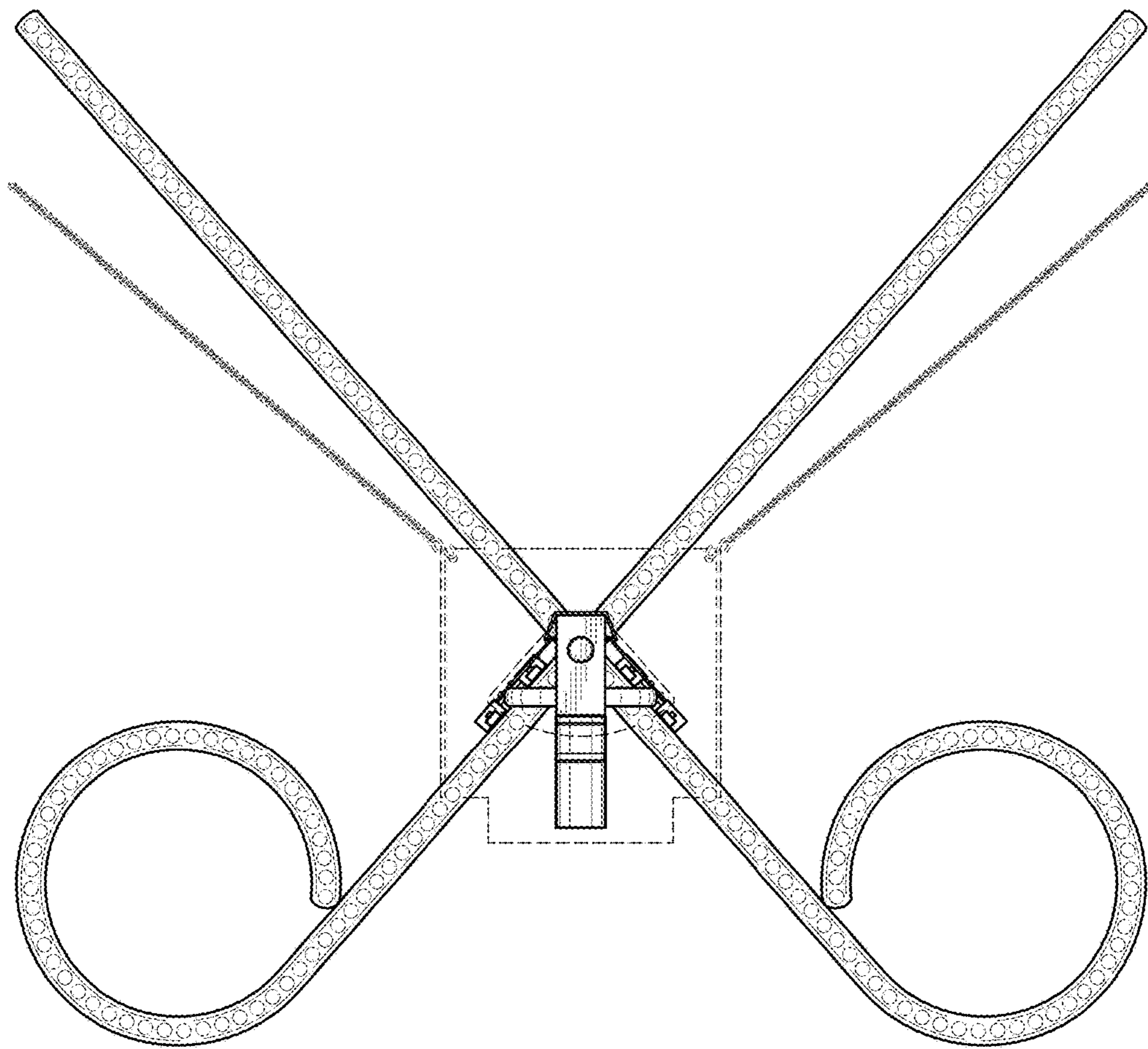


FIG. 3

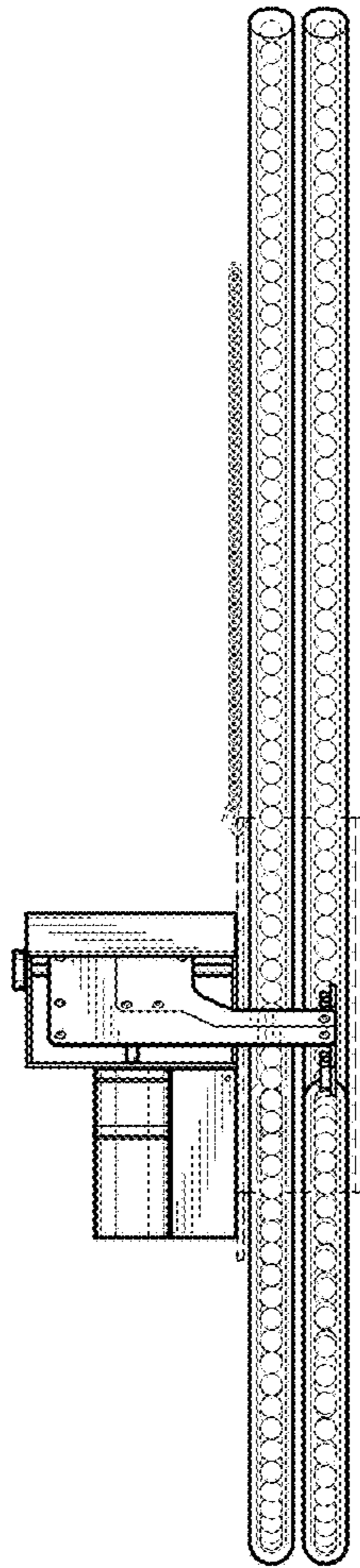


FIG. 4

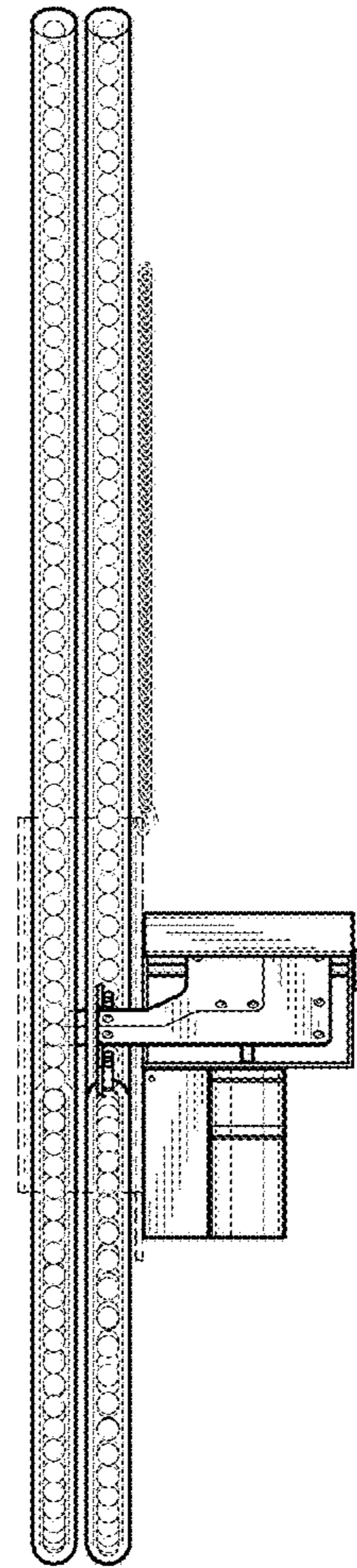


FIG. 5

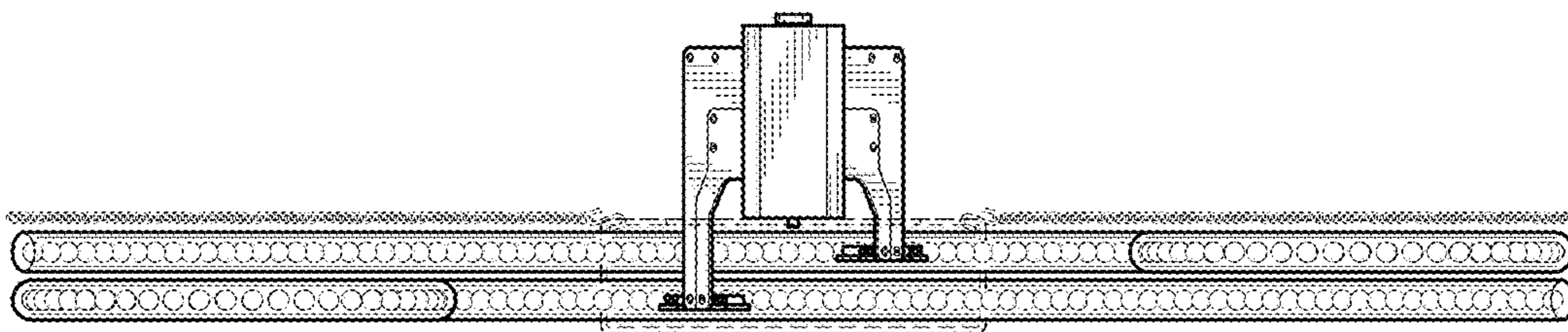


FIG. 6

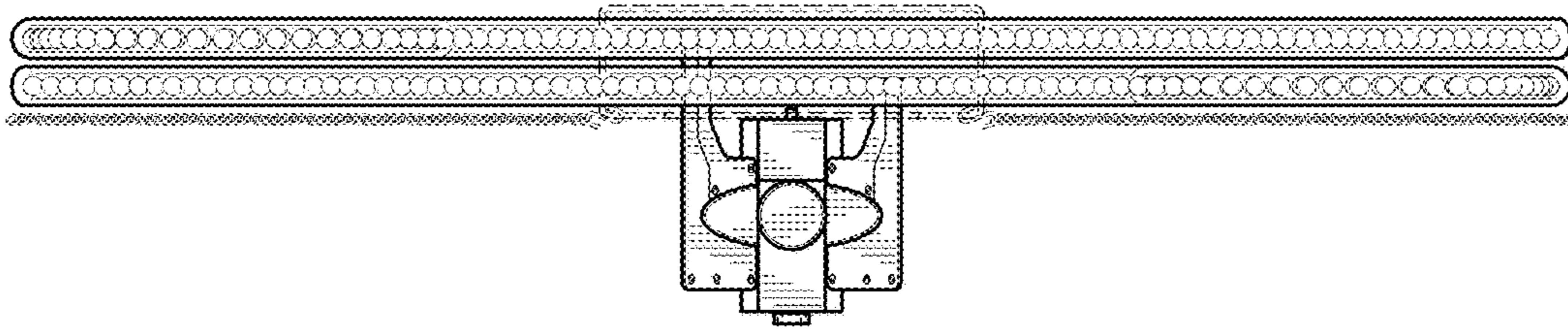


FIG. 7

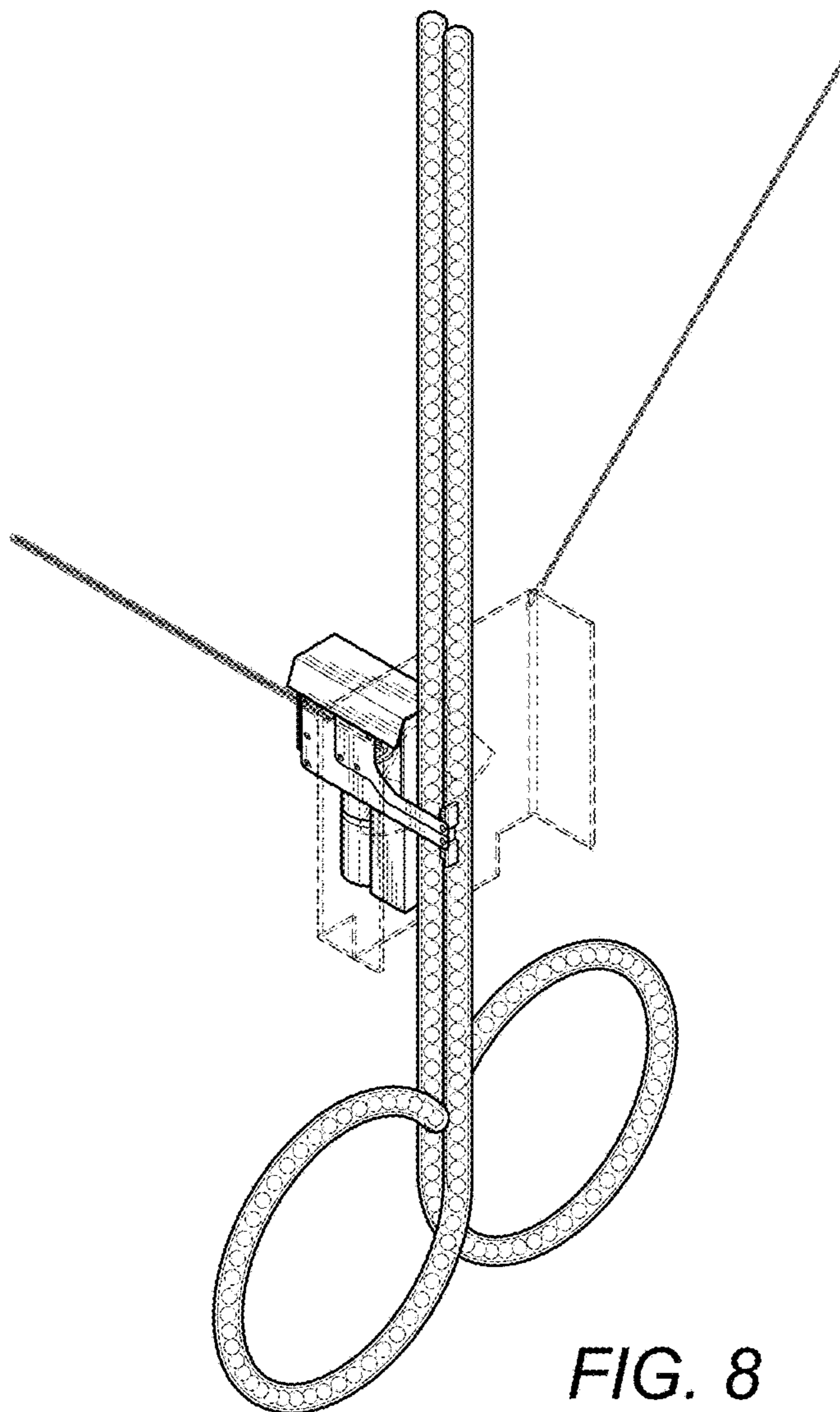


FIG. 8