



US00D780848S

(12) **United States Design Patent**
Greenspon et al.

(10) **Patent No.:** **US D780,848 S**
(45) **Date of Patent:** **** Mar. 7, 2017**

- (54) **ORGANIZER**
- (71) Applicant: **Honey-Can-Do International, LLC**,
Berkeley, IL (US)
- (72) Inventors: **Steven Greenspon**, Burr Ridge, IL
(US); **Slobodan Zivanovic**, Des
Plaines, IL (US); **Valerie Snow**,
Chicago, IL (US)
- (73) Assignee: **Honey-Can-Do International, LLC**,
Berkeley, IL (US)
- (**) Term: **15 Years**
- (21) Appl. No.: **29/544,590**
- (22) Filed: **Nov. 4, 2015**
- (51) **LOC (10) Cl.** **19-02**
- (52) **U.S. Cl.**
USPC **D19/92**
- (58) **Field of Classification Search**
USPC D3/304, 305, 310-315; D6/407, 675,
D6/683, 683.1; D9/737, 432; D19/75,
D19/77-80, 86-87, 90-92
CPC B42F 7/10; B42F 7/12; B42F 7/06;
B42F 7/145; B42F 17/02; B42F
17/12; B43M 99/00; B43M 99/001; B43M
99/008; A47B 6/00; A47B 47/00; A47B
47/0033; A47B 47/0041; B65D 5/566
See application file for complete search history.

- (56) **References Cited**
U.S. PATENT DOCUMENTS
2,135,814 A * 11/1938 Hearn B42F 7/10
206/449
2,503,833 A * 4/1950 Miller B42F 17/08
206/555
D158,444 S * 5/1950 Converse D19/86
3,236,385 A * 2/1966 Becker A47J 36/20
209/259

- 3,345,670 A * 10/1967 Charie E01H 1/1206
15/257.1
- 3,482,708 A * 12/1969 Levit A47B 87/0261
211/126.12
- D218,352 S * 8/1970 Hoch D6/683
- 3,648,849 A * 3/1972 Harris A47B 63/00
206/503
- D229,108 S * 11/1973 Grosse D19/92
- D241,834 S * 10/1976 Evenson D19/20
- 4,074,810 A * 2/1978 Juergens B42F 7/12
211/11
- 4,253,402 A * 3/1981 Carrig B43M 99/008
108/27
- D260,102 S * 8/1981 Evans D19/92
- D260,907 S * 9/1981 Giulie D19/92
- D275,771 S * 10/1984 Evans D18/49
- D279,847 S * 7/1985 Hanover D14/447
- D302,703 S * 8/1989 Foran D19/75
- 4,863,042 A * 9/1989 Rohner B42F 7/12
211/11

(Continued)

FOREIGN PATENT DOCUMENTS

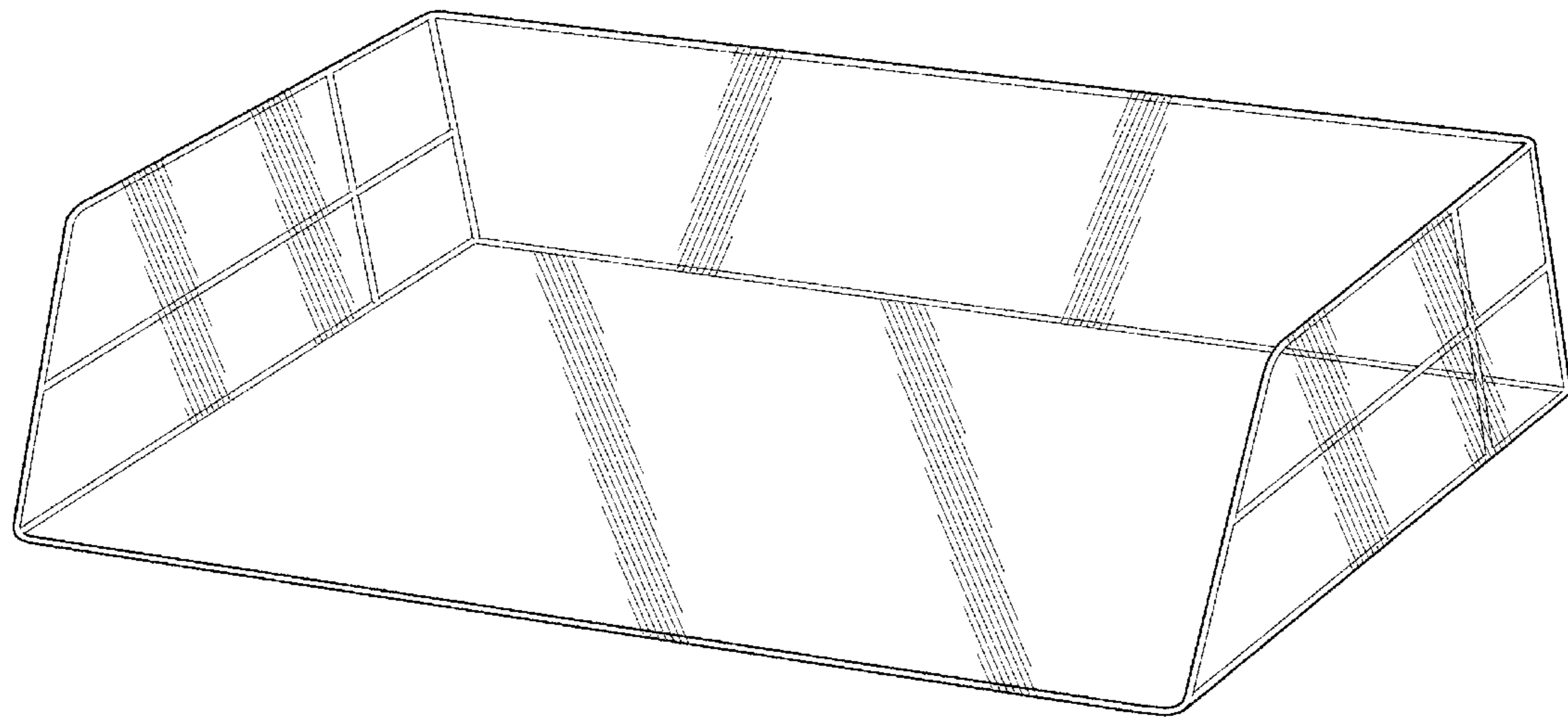
KR 3007221460000 12/2013
Primary Examiner — Elizabeth Albert
(74) *Attorney, Agent, or Firm* — Banner & Witcoff, Ltd.

(57) **CLAIM**
The ornamental design for an organizer, as shown and described.

DESCRIPTION

FIG. 1 is an enlarged top, front, right perspective view of an organizer showing our new design;
FIG. 2 is a front view thereof;
FIG. 3 is a rear view thereof;
FIG. 4 is a right side view thereof;
FIG. 5 is a left side view thereof;
FIG. 6 is a top view thereof; and,
FIG. 7 is a bottom view thereof.

1 Claim, 5 Drawing Sheets



(56)

References Cited

U.S. PATENT DOCUMENTS

D311,931 S *	11/1990	Evenson	D19/86	D524,154 S	7/2006	Post	
D348,694 S *	7/1994	Evenson	D19/86	D524,542 S	7/2006	Hardy	
D377,128 S *	1/1997	Baker	D6/675.1	D527,767 S	9/2006	Hardy	
D391,687 S *	3/1998	McMahon	D19/92	D545,060 S	6/2007	Cheng	
5,733,025 A *	3/1998	Jesse, Sr.	A47B 87/0253	D551,454 S	9/2007	Cheng	
				108/90	D565,334 S	4/2008	Post et al.	
D419,302 S	1/2000	Hardy et al.			D573,654 S	7/2008	Hardy et al.	
6,102,278 A *	8/2000	Rothas	A47L 13/52	D582,161 S	12/2008	Hardy et al.	
				15/257.1	D598,024 S *	8/2009	Scott D14/432
D431,907 S	10/2000	Andujar et al.			D602,255 S	10/2009	Ahlgrim et al.	
D433,711 S	11/2000	Andujar			D614,915 S *	5/2010	Schnitman D7/409
D449,074 S	10/2001	Andujar			D622,959 S	9/2010	Zalewski et al.	
D450,453 S	11/2001	Andujar			D632,080 S	2/2011	Hardy et al.	
D455,292 S	4/2002	Hardy et al.			D632,892 S	2/2011	Zalewski et al.	
D468,773 S *	1/2003	Bodum	D19/86	D641,210 S *	7/2011	Hamilton D7/554.3
D475,411 S	6/2003	Hardy et al.			D655,989 S *	3/2012	Nelms D7/409
D492,360 S *	6/2004	Hardy	D19/92	D658,881 S	5/2012	Post et al.	
D501,226 S *	1/2005	DeCarlo	D19/86	D663,118 S	7/2012	Zalewski et al.	
D516,814 S	3/2006	Post et al.			D673,369 S	1/2013	Post et al.	
D523,245 S	6/2006	Post			D676,721 S *	2/2013	Button D7/698
					D679,331 S *	4/2013	Stravitz D19/92
					D717,597 S *	11/2014	Henry D7/363
					D741,105 S *	10/2015	Ryan D7/354

* cited by examiner

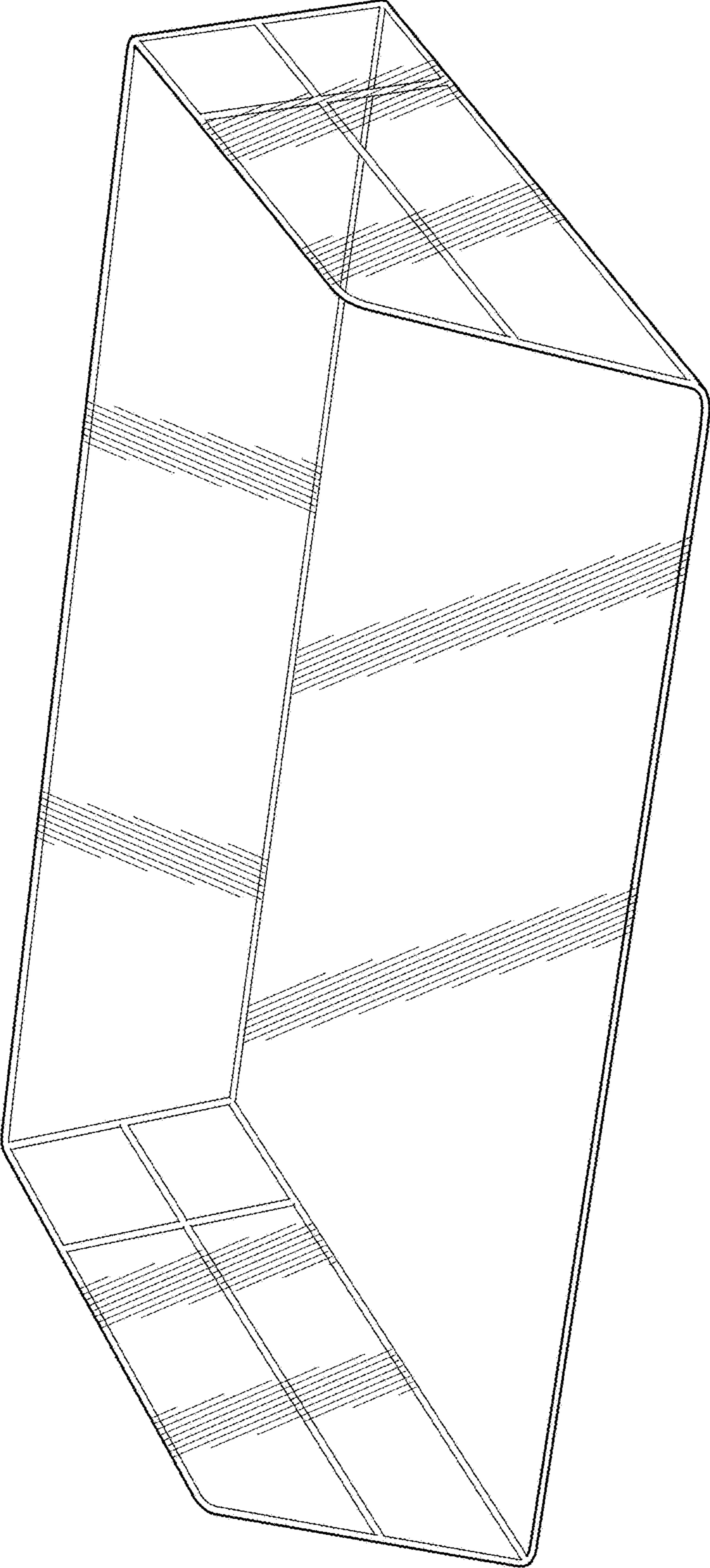


FIG. 1

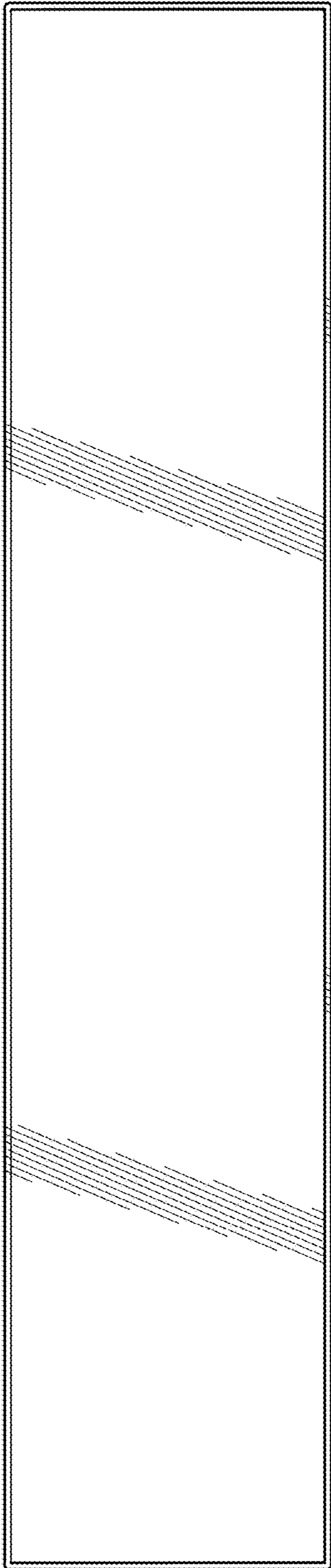


FIG. 2

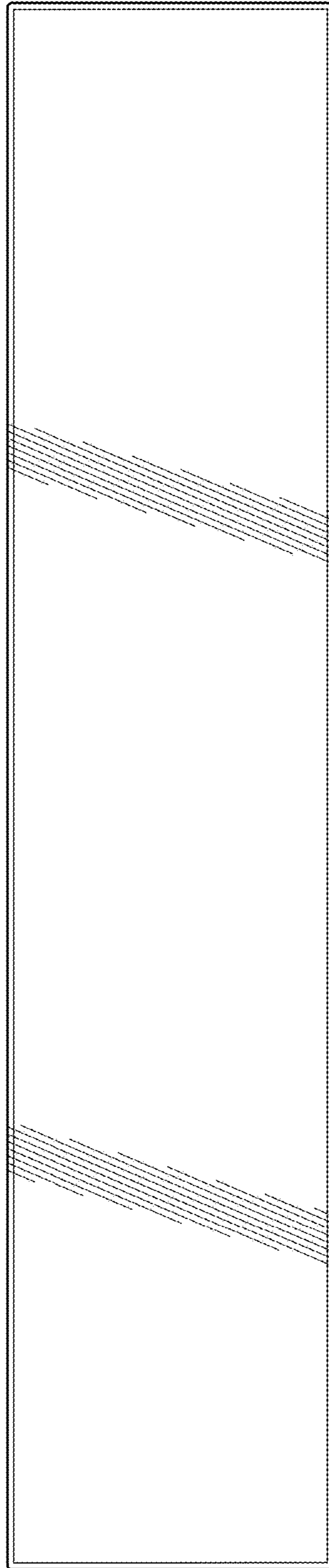


FIG. 3

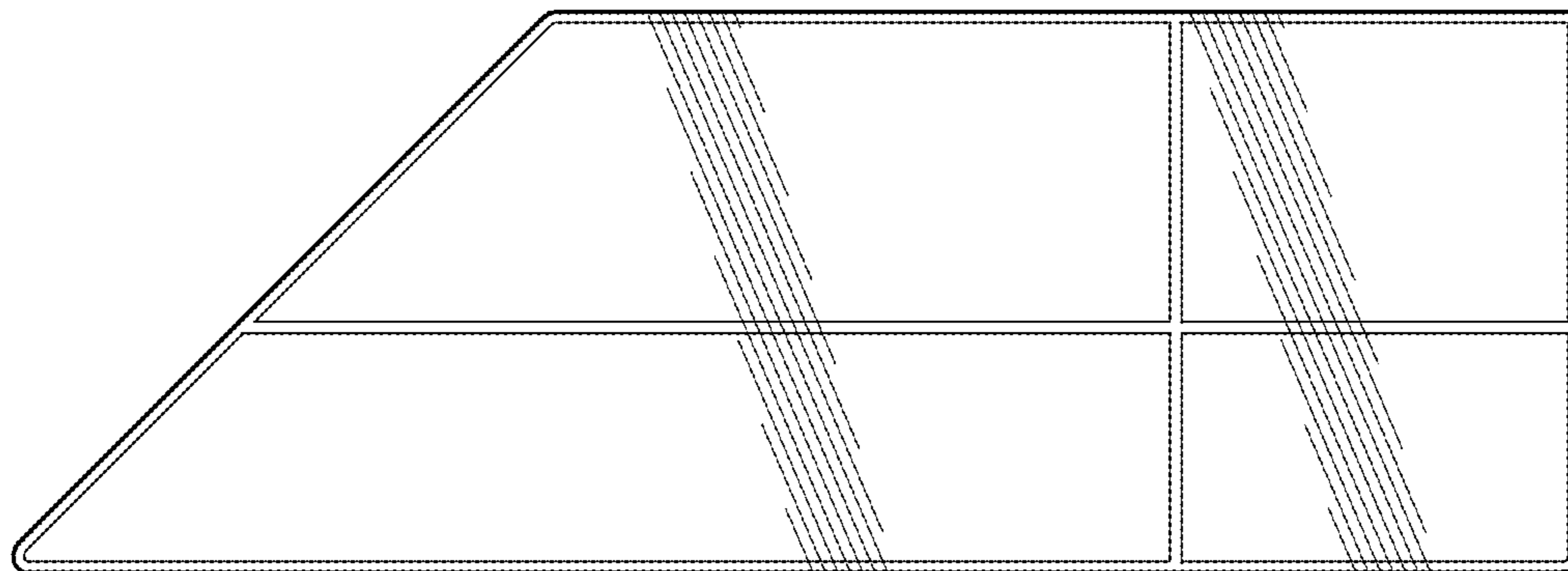


FIG. 4

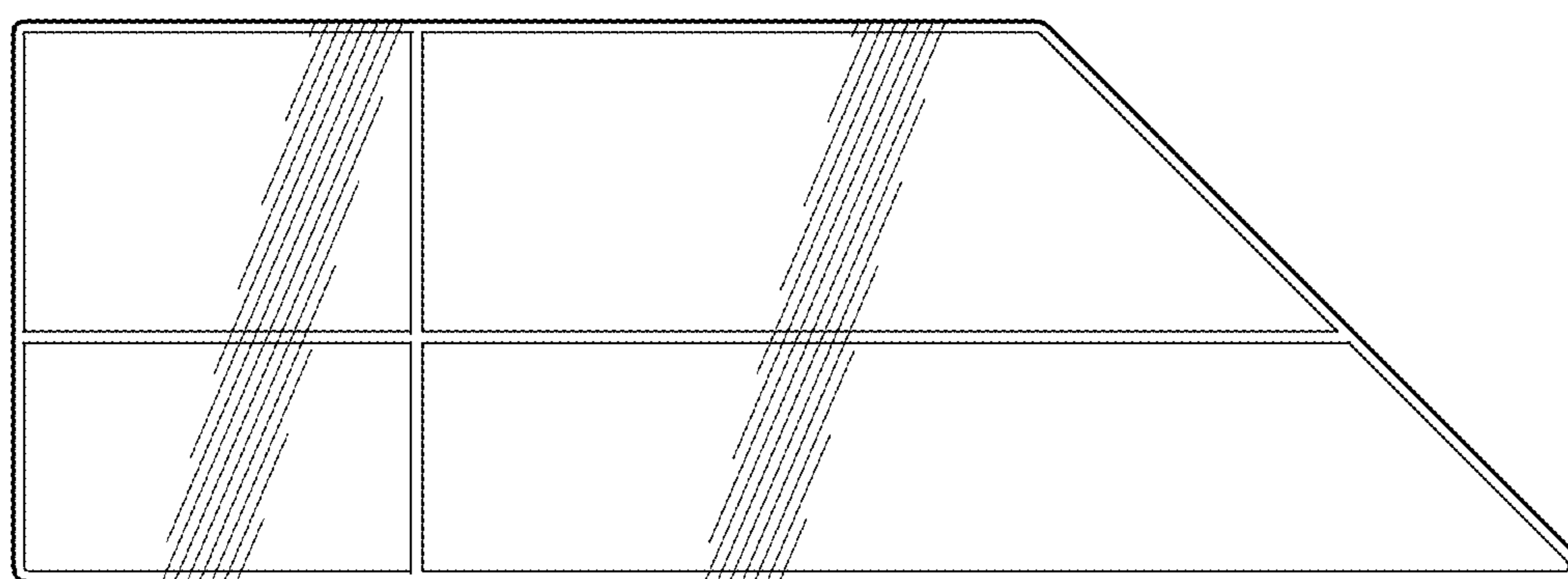


FIG. 5

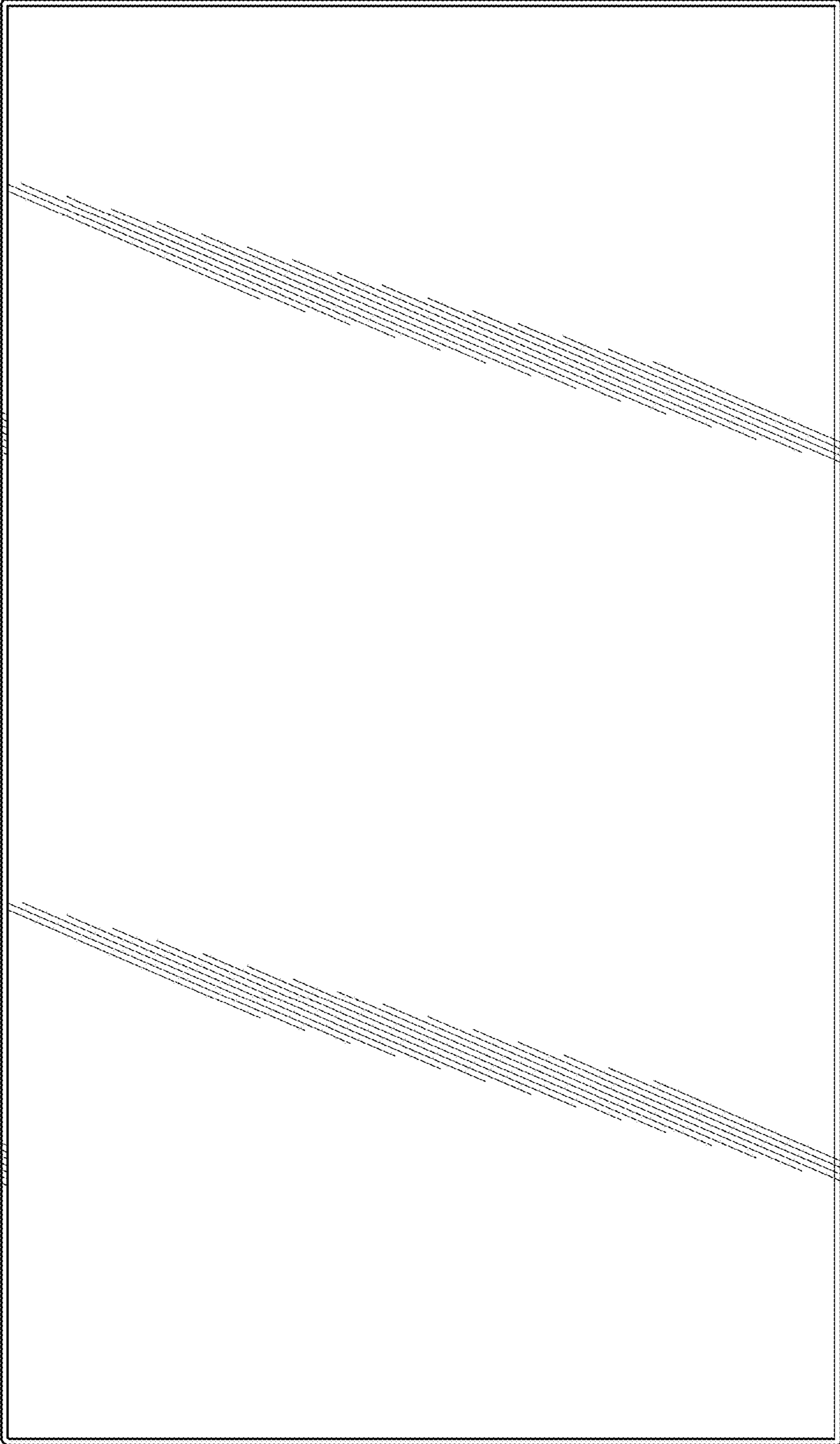


FIG. 6

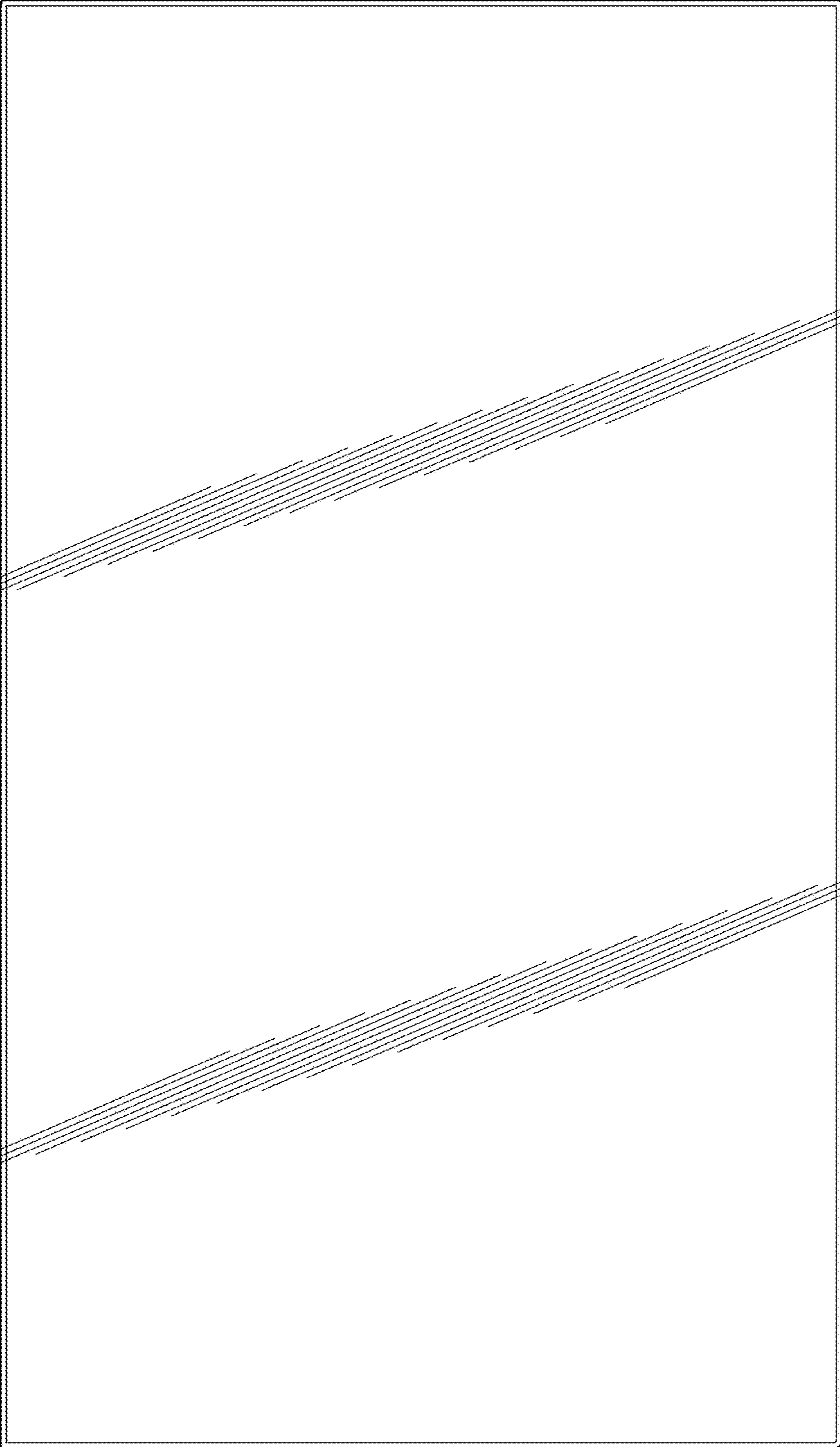


FIG. 7