



US00D780844S

(12) **United States Design Patent**
Frommelt

(10) **Patent No.:** **US D780,844 S**
(45) **Date of Patent:** **** Mar. 7, 2017**

(54) **BOOK WITH MULTIMEDIA SCREEN**
(71) Applicant: **WESTSIDE SOLUTIONS SÀRL**,
Lutry (CH)
(72) Inventor: **Marc Frommelt**, Grandvaux (CH)
(**) Term: **15 Years**
(21) Appl. No.: **35/500,579**
(22) Filed: **Aug. 8, 2015**
(80) **Hague Agreement Data**
Int. Filing Date: **Aug. 8, 2015**
Int. Reg. No.: **DM/087538**
Int. Reg. Date: **Aug. 8, 2015**
Int. Reg. Pub. Date: **Feb. 12, 2016**

(30) **Foreign Application Priority Data**
Feb. 9, 2015 (CH) 141322
(51) **LOC (10) Cl.** **19-04**
(52) **U.S. Cl.**
USPC **D19/26**
(58) **Field of Classification Search**
USPC D19/1-8, 26-33; D9/418, 432
CPC B42D 1/02; B42D 3/123; B42F 13/0033;
G09B 5/06; G09B 5/062
See application file for complete search history.

(56) **References Cited**
U.S. PATENT DOCUMENTS
2,314,721 A * 3/1943 Lowenstein A63J 13/00
40/615
4,002,355 A * 1/1977 Sendor B42D 1/02
206/307.1
4,222,188 A * 9/1980 Tarrant G09F 27/00
40/455
5,174,674 A * 12/1992 Norwood B42F 13/0033
402/502
D339,063 S * 9/1993 Simon D9/432

5,249,670 A * 10/1993 Simon B65D 5/4204
206/474
D374,036 S * 9/1996 Lin D19/1
5,645,432 A * 7/1997 Jessop A63F 3/00643
434/308
5,913,541 A * 6/1999 Chen B42D 5/04
281/37
6,082,029 A * 7/2000 Hoffman G09F 3/20
40/124.06
6,525,706 B1 * 2/2003 Rehkemper G09B 5/06
345/87
6,868,964 B2 * 3/2005 Carty B65D 5/541
206/232
D505,975 S * 6/2005 Navarre D19/26
D559,308 S * 1/2008 Sakaguchi D19/26
7,540,379 B2 * 6/2009 Yau B42D 3/123
206/320
D647,559 S * 10/2011 Clegg D19/1

(Continued)

Primary Examiner — Elizabeth Albert

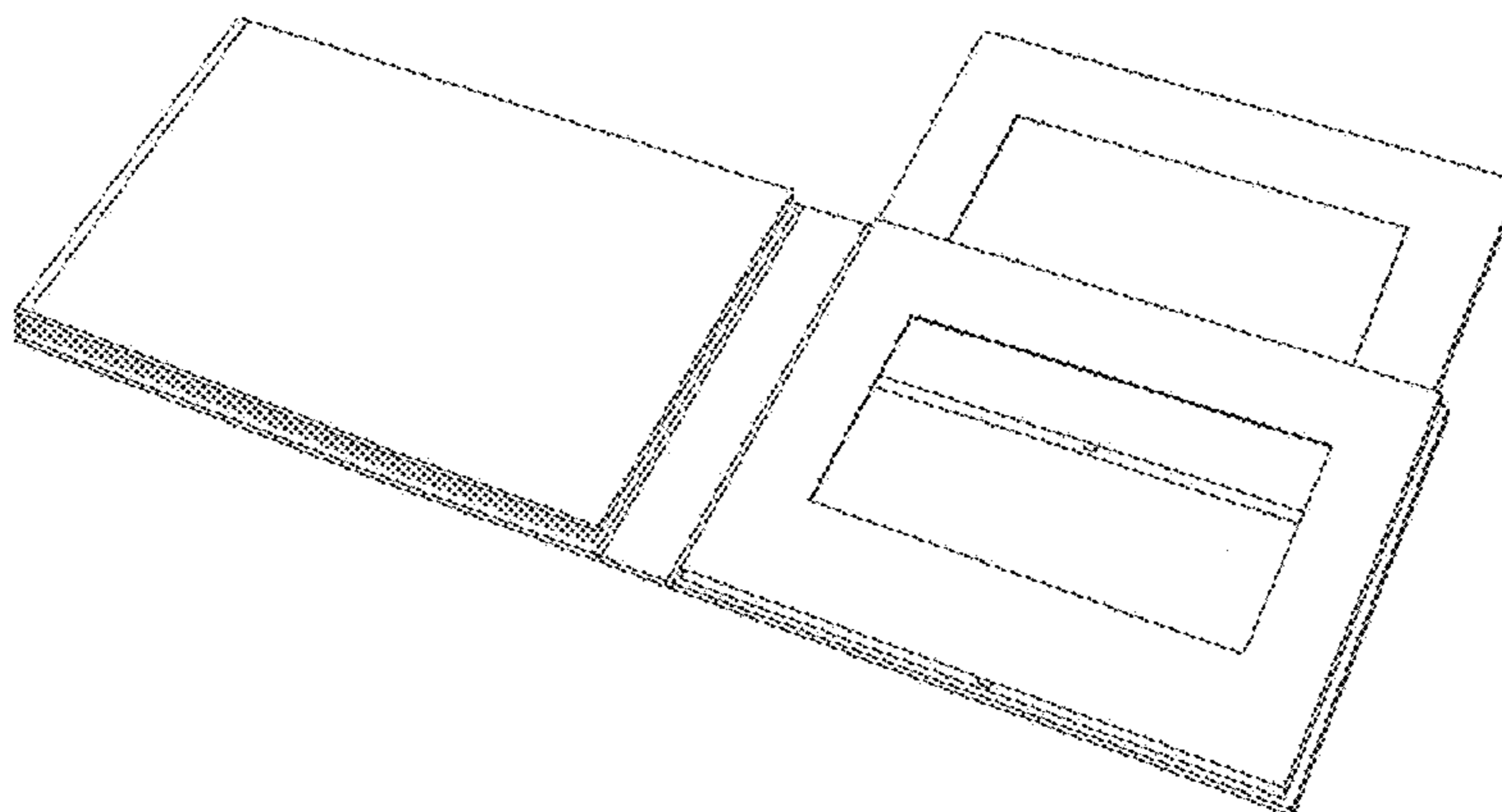
(57) **CLAIM**

The ornamental design for a book with multimedia screen,
as shown and described.

DESCRIPTION

- 1. Book with multimedia screen
- 1.1 : Perspective
- 1.2 : Perspective
- 1.3 : Perspective
- 1.4 : Perspective
- 1.5 : Perspective
- 1.6 : Perspective
- 1.7 : Perspective
- 1.8 : Front
- 1.9 : Back
- 1.10 : Bottom
- 1.11 : Top
- 1.12 : Left
- 1.13 : Right

1 Claim, 13 Drawing Sheets



(56)

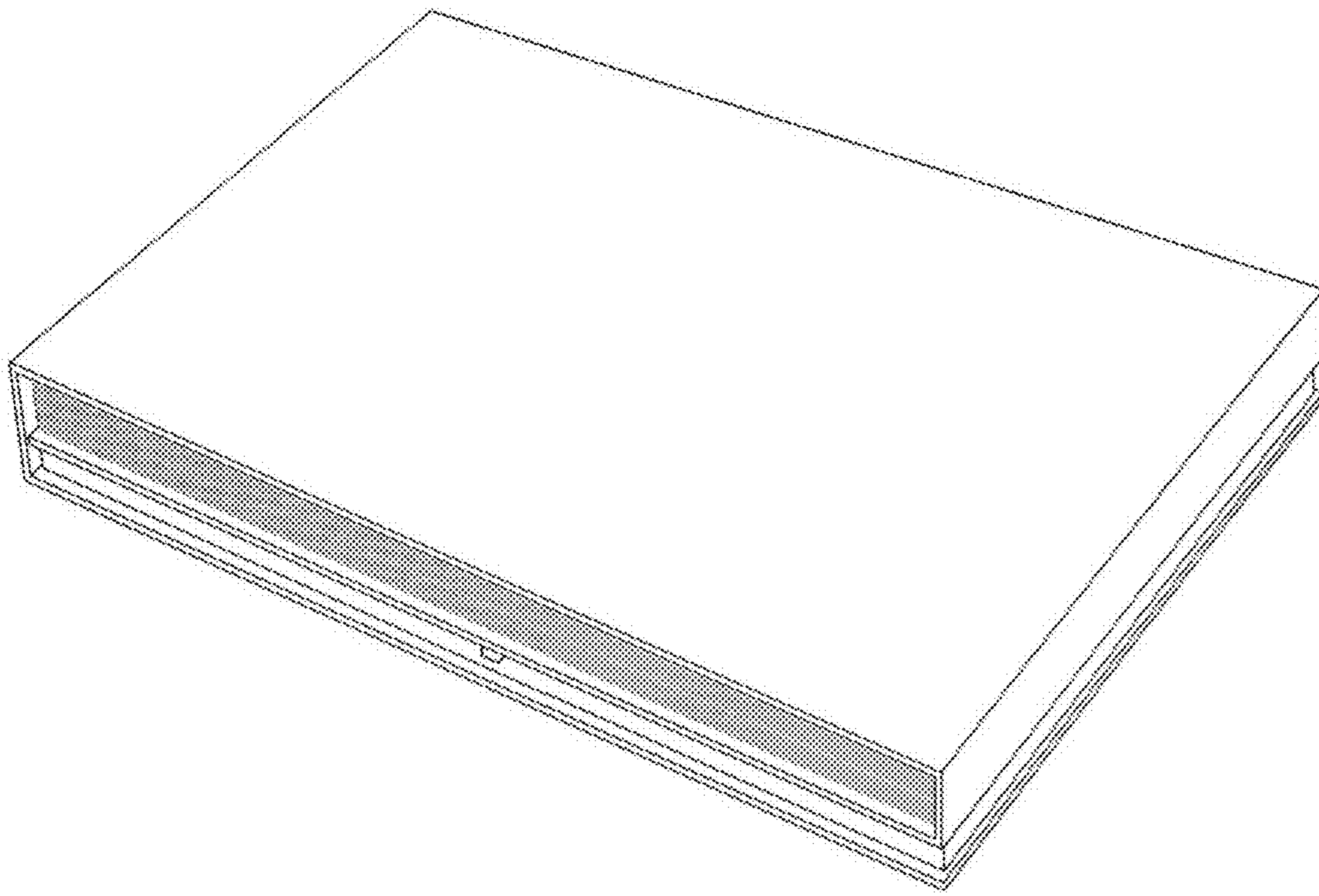
References Cited

U.S. PATENT DOCUMENTS

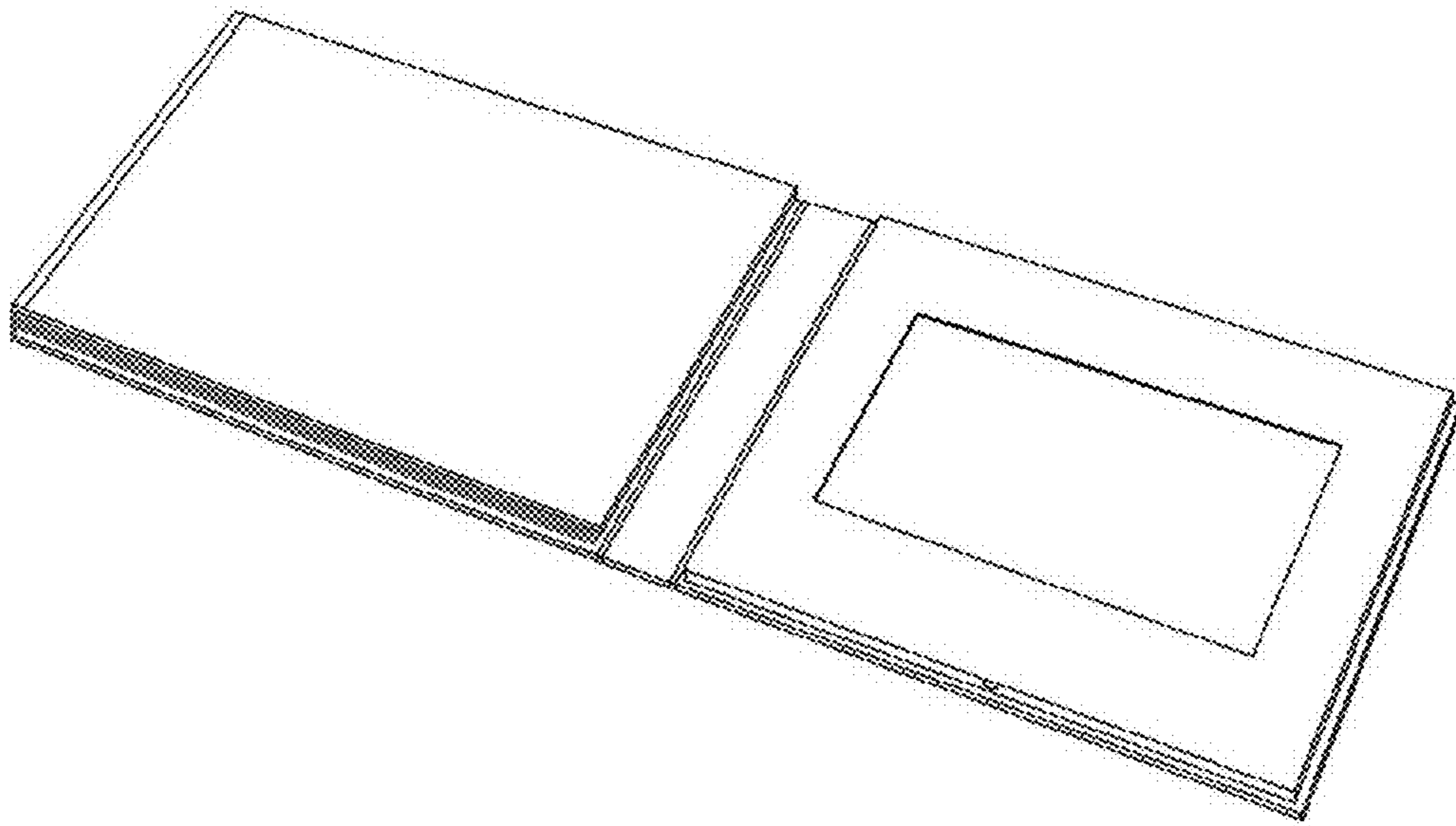
D655,750	S *	3/2012	Clegg	D19/1
D657,417	S *	4/2012	Naimi	D19/26
D661,732	S *	6/2012	Clegg	D19/1
8,261,993	B2 *	9/2012	Rathus	G06Q 20/3276 235/375
D691,653	S *	10/2013	Benadon	D19/26
D698,639	S *	2/2014	Fletcher	D9/415
D724,815	S *	3/2015	Harling	D99/43
9,230,460	B2 *	1/2016	Harling	G07F 19/201
9,333,793	B2 *	5/2016	Frech	B42D 1/08
2004/0164542	A1 *	8/2004	Crawford	B42F 13/0006 281/22
2004/0253567	A1 *	12/2004	Kaye	G09B 5/062 434/178
2007/0024048	A1 *	2/2007	Akin	B42D 1/08 281/22
2007/0143191	A1 *	6/2007	Santasiero	G06Q 30/0601 705/26.1
2008/0109407	A1 *	5/2008	Kirkland	B42D 3/123
2010/0133332	A1 *	6/2010	Rathus	G06Q 20/3276 235/375
2014/0313186	A1 *	10/2014	Fahrer	B42D 3/00 345/418
2015/0242185	A1 *	8/2015	Stone	A63H 33/38 345/174

* cited by examiner

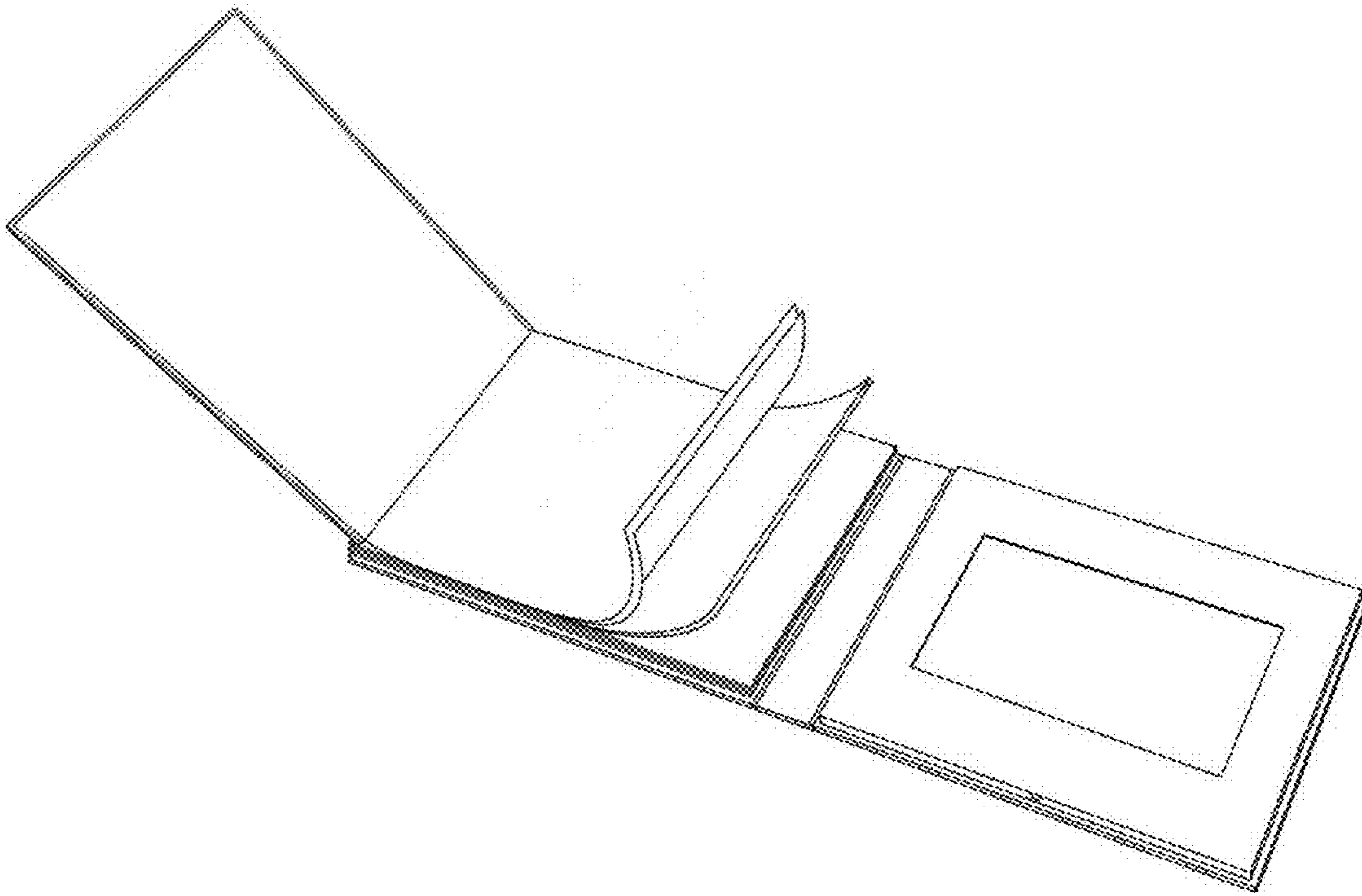
1.1



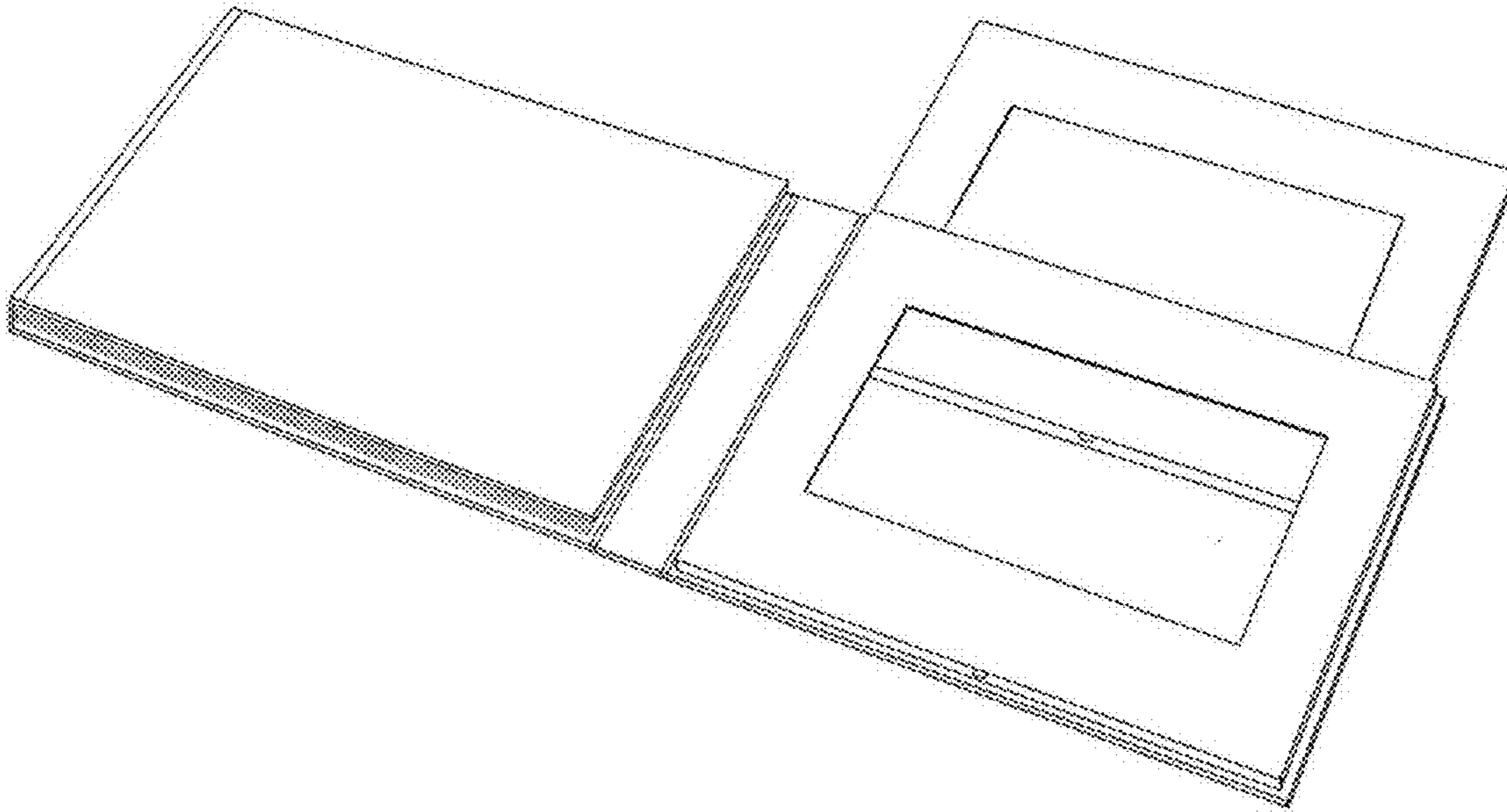
1.2



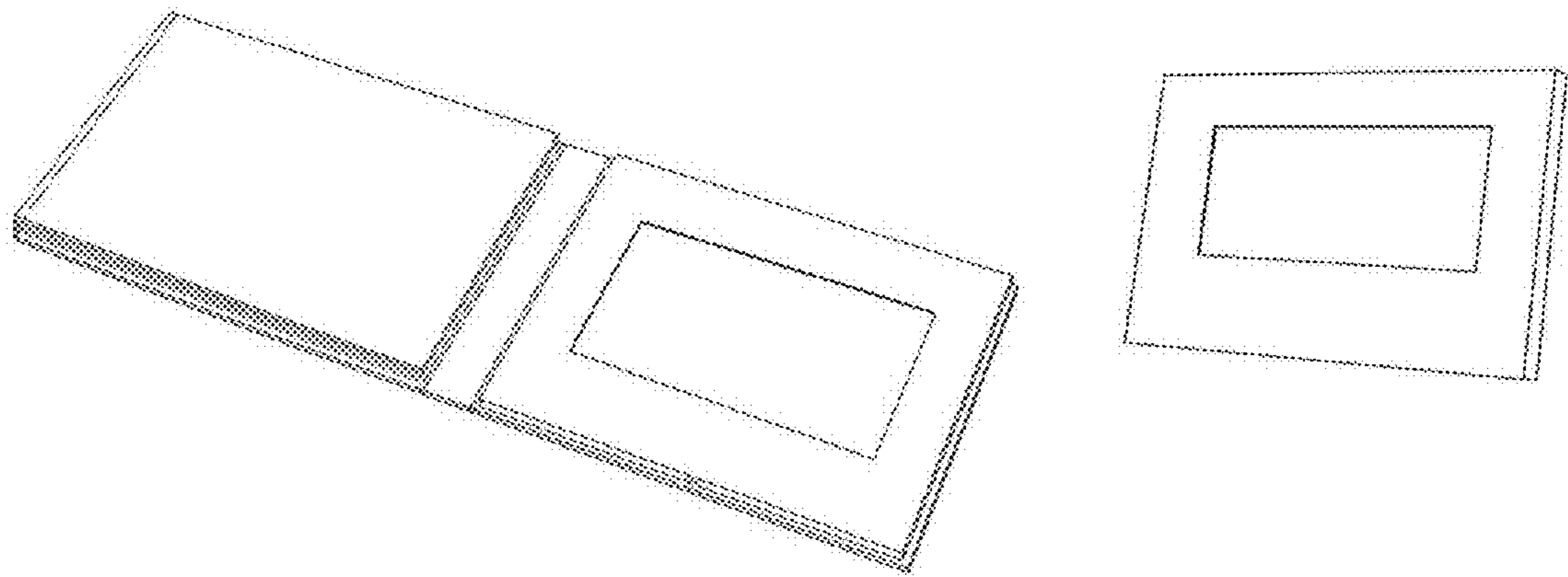
1.3



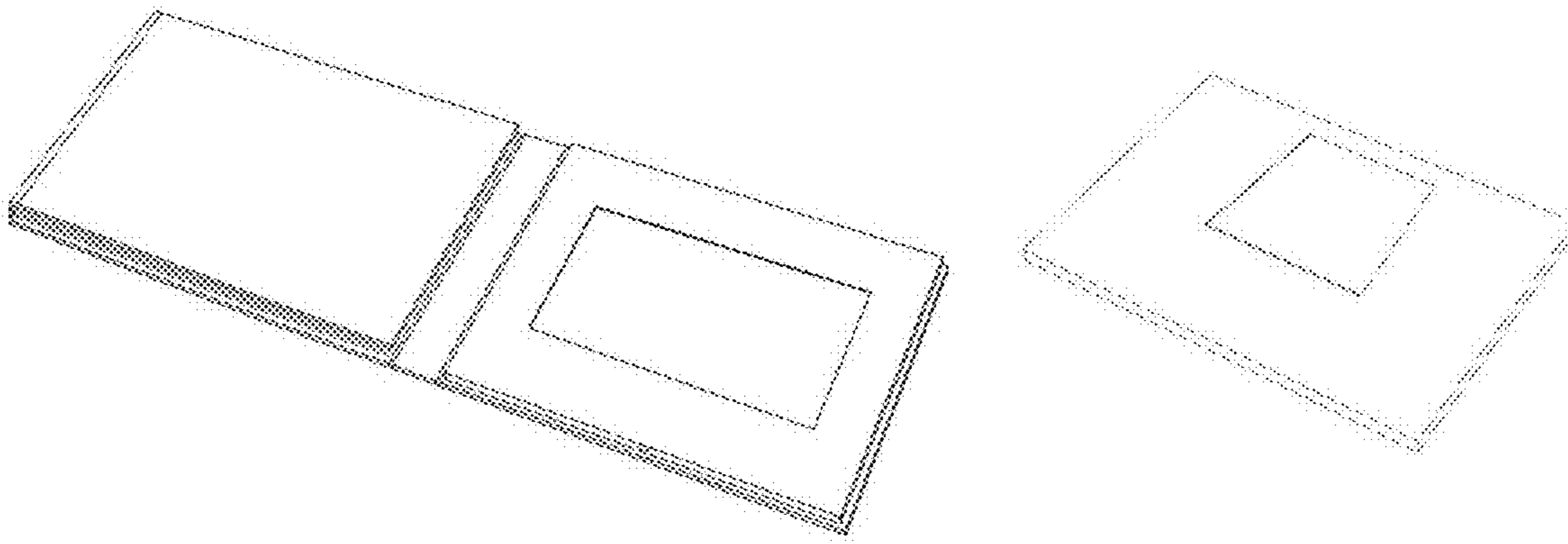
1.4



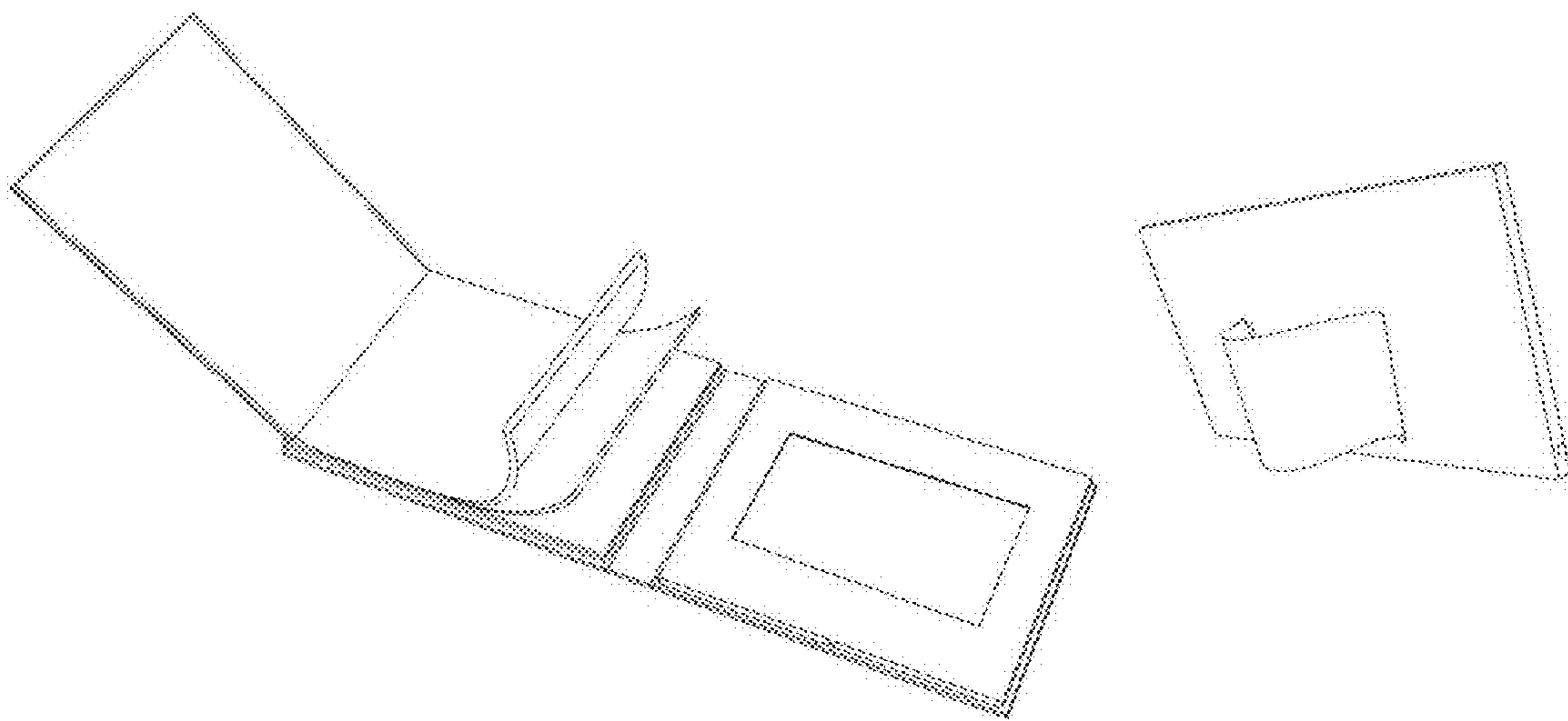
1.5



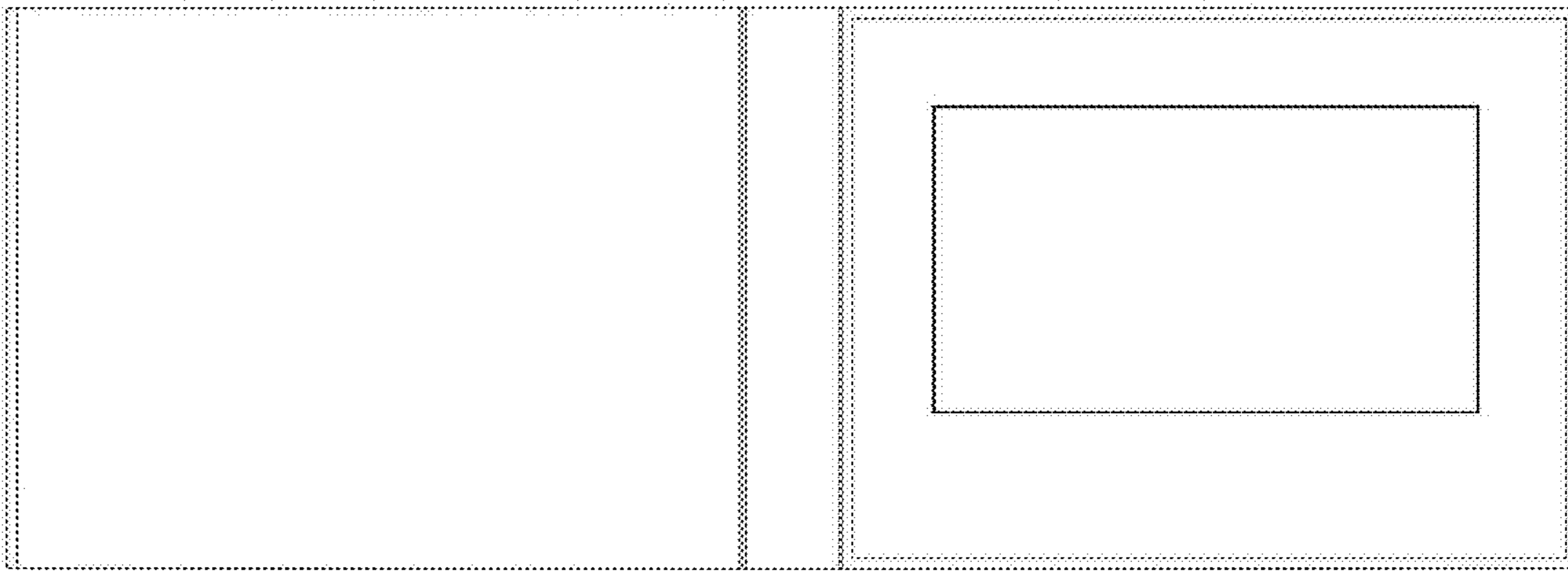
1.6



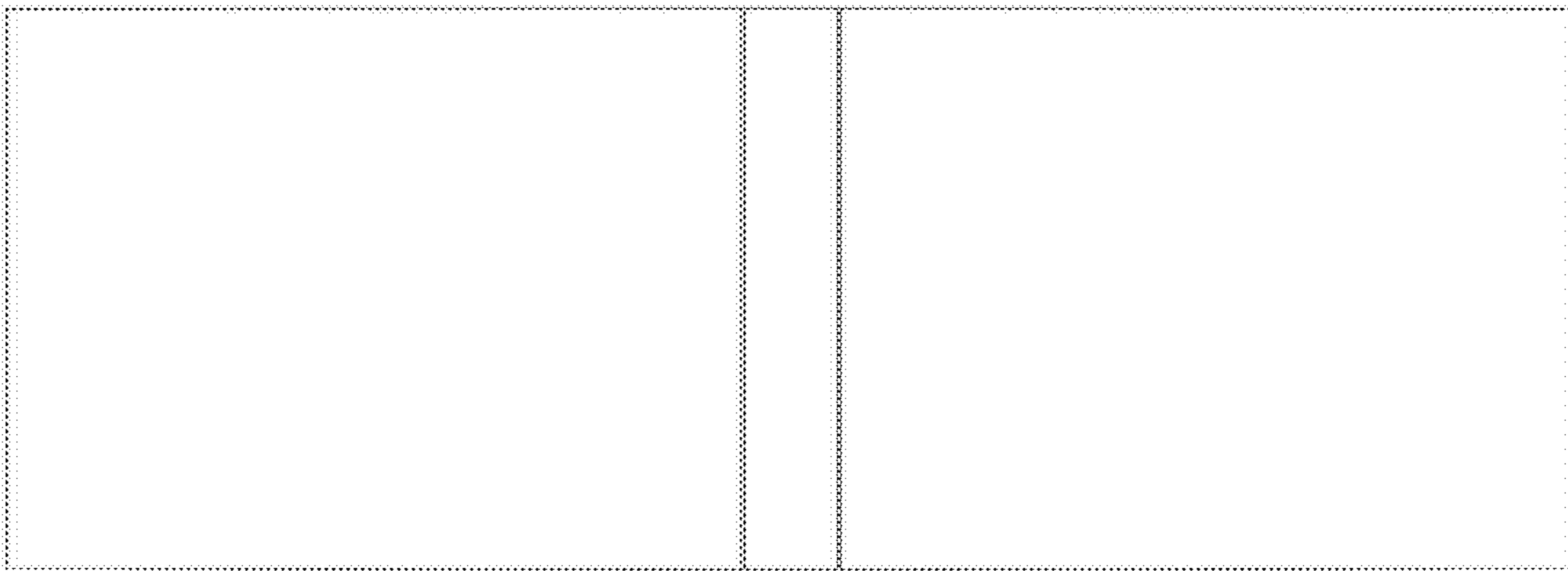
1.7



1.8



1.9



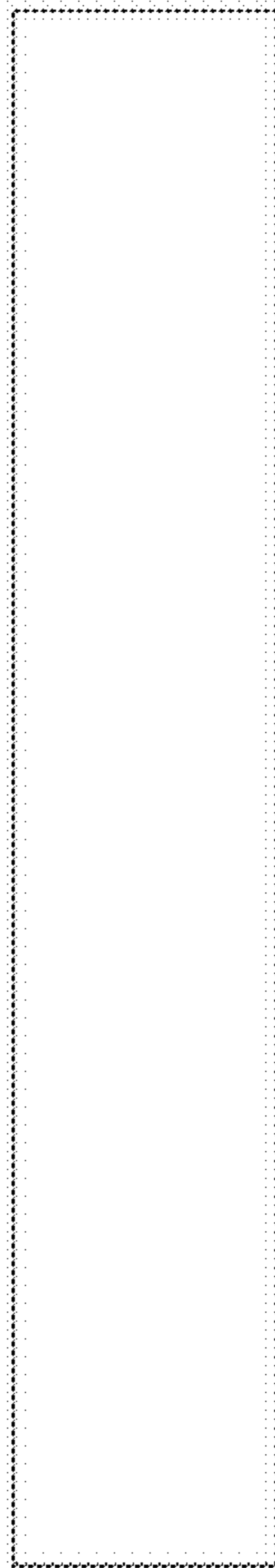
1.10



1.11



1.12



1.13

