



US00D780842S

(12) **United States Design Patent**
Kimura et al.

(10) **Patent No.:** **US D780,842 S**

(45) **Date of Patent:** **** Mar. 7, 2017**

(54) **INK TANK FOR PRINTER**

(71) Applicant: **SEIKO EPSON CORPORATION**,
Tokyo (JP)

(72) Inventors: **Naomi Kimura**, Okaya (JP); **Shoma Kudo**, Shiojiri (JP); **Koji Nishimaki**,
Matsumoto (JP); **Yoshiyuki Tanaka**,
Matsumoto (JP); **Shoichi Ishizawa**,
Nagano (JP); **Makoto Omuro**,
Matsumoto (JP); **Koji Kawai**, Shiojiri
(JP)

(73) Assignee: **SEIKO EPSON CORPORATION**,
Tokyo (JP)

(**) Term: **15 Years**

(21) Appl. No.: **29/543,198**

(22) Filed: **Oct. 21, 2015**

(30) **Foreign Application Priority Data**

Apr. 24, 2015 (JP) 2015-009279

(51) **LOC (10) Cl.** **18-02**

(52) **U.S. Cl.**
USPC **D18/56**

(58) **Field of Classification Search**

USPC D18/56, 12, 40, 43; 347/86
CPC B14J 2/17; B14J 2/1721; B14J 2/175;
B14J 2/17503; B14J 2/175013; B14J
2/1752; B14J 2/17523; B14J
2/17553; B14J 2/17556; B14J
2/185; B14J 29/377

See application file for complete search history.

(56) **References Cited**

U.S. PATENT DOCUMENTS

D351,190 S * 10/1994 Oshima D18/56
D442,219 S * 5/2001 Chou D18/56

D443,639 S * 6/2001 Chou D18/56
D461,493 S * 8/2002 Tajima D18/56
D461,494 S * 8/2002 Tajima D18/56
D490,102 S * 5/2004 Umeyama 347/86
D539,340 S * 3/2007 Shibata 347/86
D609,272 S * 2/2010 Lecheheb D18/56
D658,713 S * 5/2012 Miller D18/56
D678,405 S * 3/2013 Okuda D18/56
8,926,073 B2 * 1/2015 Shimizu B41J 2/17523
347/85
9,144,985 B2 * 9/2015 Koike B41J 2/175
9,289,999 B2 * 3/2016 Koike B41J 2/17513
9,403,371 B2 * 8/2016 Koike B41J 2/17513
9,415,601 B1 * 8/2016 Tsukida B41J 2/17566
9,421,779 B2 * 8/2016 Mokhammad B41J 2/17509
9,421,781 B2 * 8/2016 Kimura B41J 2/1752

(Continued)

Primary Examiner — Cathron Brooks
Assistant Examiner — Andrew Nemeth

(57) **CLAIM**

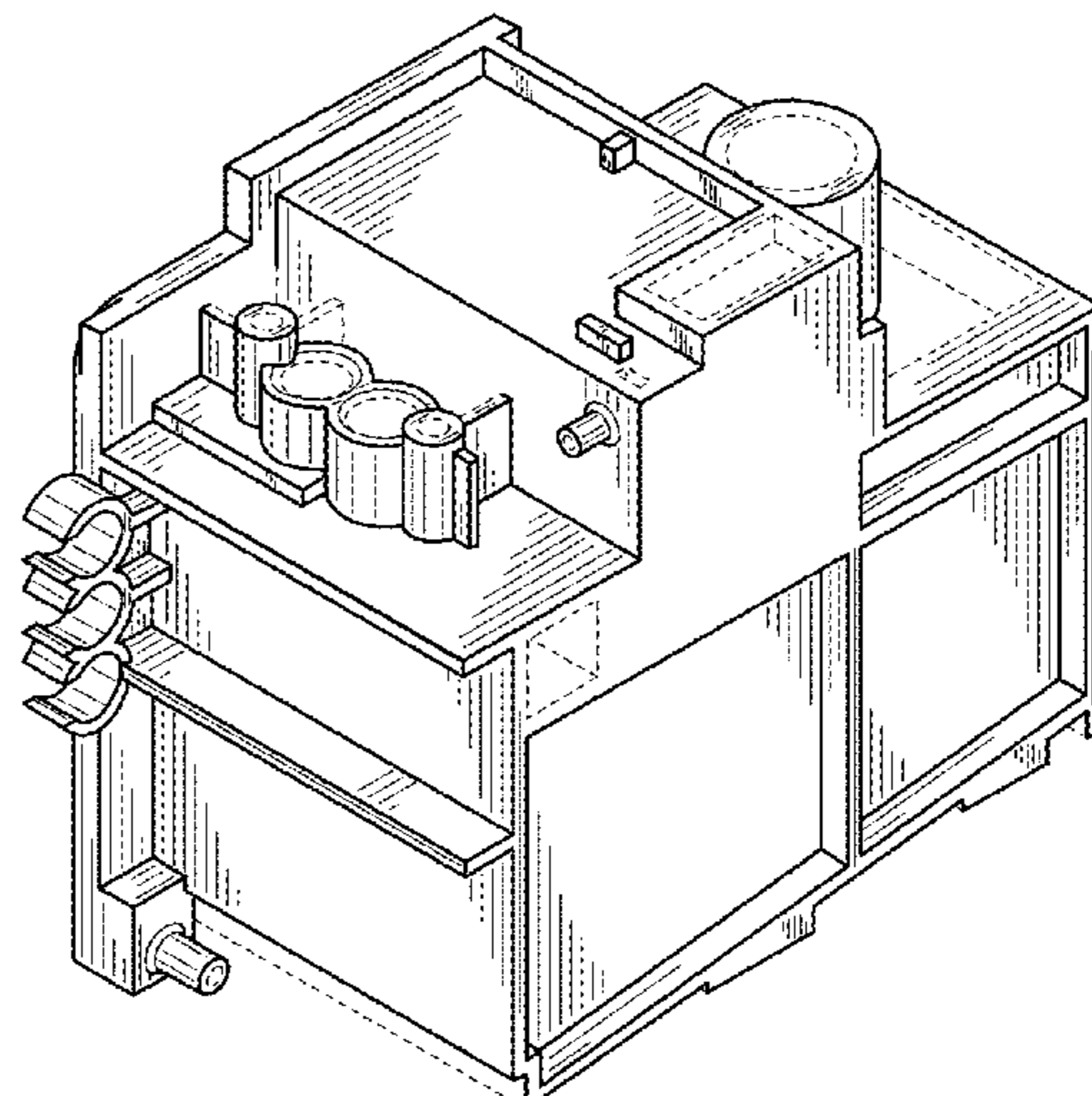
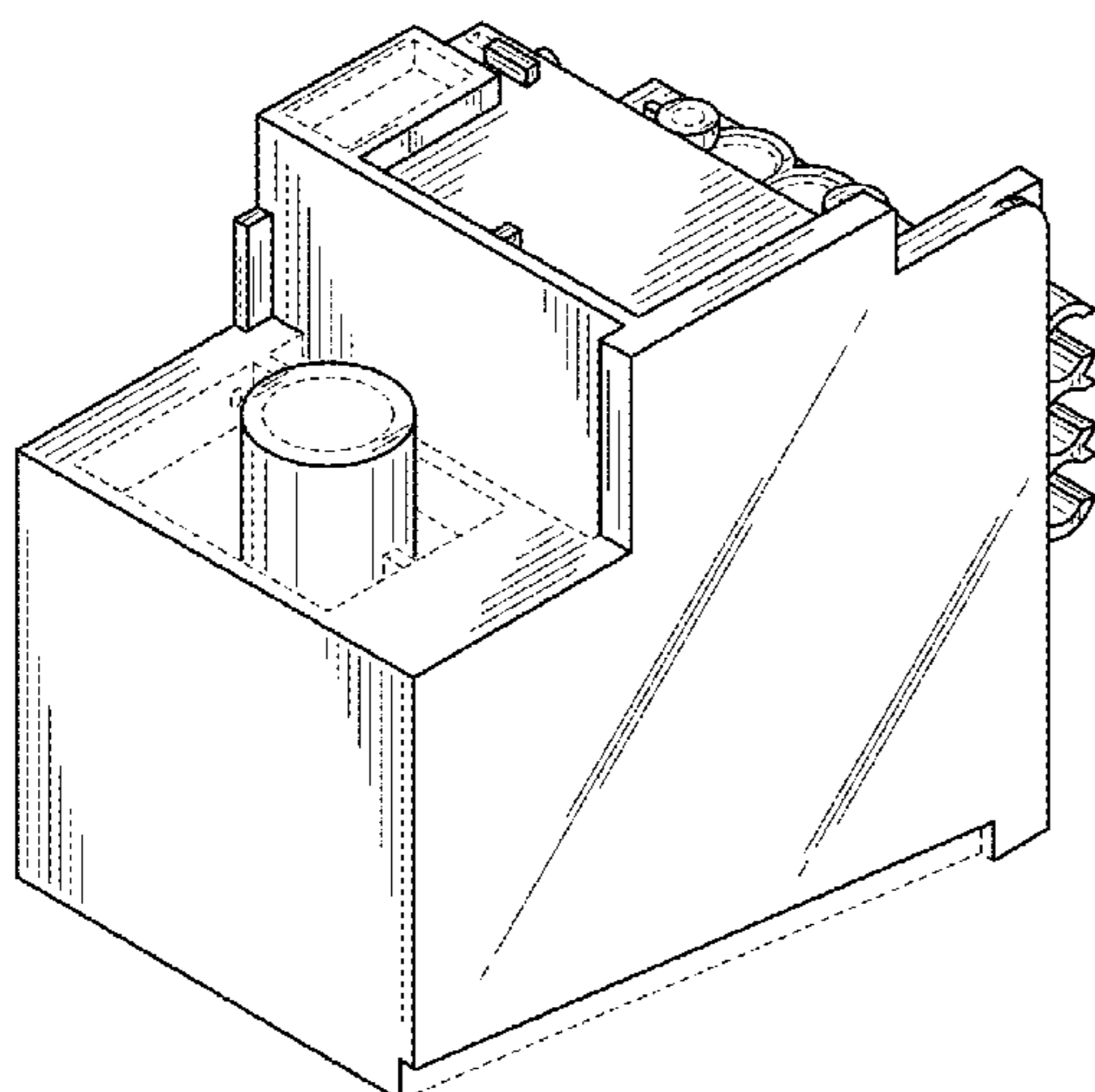
The ornamental design for an ink tank for printer, as shown and described.

DESCRIPTION

FIG. 1 is a front perspective view of an ink tank for printer showing our new design;
FIG. 2 is a rear perspective view thereof;
FIG. 3 is a front view thereof;
FIG. 4 is a rear view thereof;
FIG. 5 is a top plan view thereof;
FIG. 6 is a bottom plan view thereof;
FIG. 7 is a right side view thereof; and,
FIG. 8 is a left side view thereof.

The features shown in broken lines in the drawings depict environmental subject matter only and form no part of the claimed design. The oblique shade lines in FIGS. 1 and 7 are intended to represent translucency.

1 Claim, 8 Drawing Sheets



(56)

References Cited

U.S. PATENT DOCUMENTS

9,427,972 B2 * 8/2016 Kimura B41J 2/1752
 9,493,009 B2 * 11/2016 Kimura B41J 2/17526
 9,493,010 B2 * 11/2016 Kudo B41J 2/17553
 2004/0021751 A1 * 2/2004 Steinmetz B41J 2/17509
 347/86
 2004/0090502 A1 * 5/2004 Tham B41J 2/17513
 347/86
 2008/0036829 A1 * 2/2008 Nishioka B41J 2/17513
 347/86
 2008/0117270 A1 * 5/2008 Koike B41J 2/17509
 347/86
 2010/0328405 A1 * 12/2010 Ness G06K 15/102
 347/86
 2015/0197095 A1 * 7/2015 Kimura B41J 2/17523
 347/85
 2015/0197097 A1 * 7/2015 Kobayashi B41J 2/17509
 347/92
 2015/0210081 A1 * 7/2015 Suzuki B41J 2/175
 347/86

2015/0352853 A1 * 12/2015 Kudo B41J 2/175
 347/86
 2015/0367648 A1 * 12/2015 Kimura B41J 2/17509
 347/86
 2016/0009096 A1 * 1/2016 Suzuki B41J 2/175
 347/86
 2016/0009098 A1 * 1/2016 Kimura B41J 2/17566
 347/86
 2016/0009100 A1 * 1/2016 Kudo B41J 2/17553
 347/92
 2016/0016409 A1 * 1/2016 Kimura B41J 2/17523
 347/86
 2016/0052286 A1 * 2/2016 Kimura B41J 2/17509
 347/86
 2016/0263900 A1 * 9/2016 Kimura B41J 2/1752
 2016/0263901 A1 * 9/2016 Kudo B41J 2/1752
 2016/0263902 A1 * 9/2016 Kimura B41J 2/1752
 2016/0263905 A1 * 9/2016 Kimura B41J 2/17523
 2016/0263906 A1 * 9/2016 Kimura B41J 2/17526
 2016/0264306 A1 * 9/2016 Nishimaki B41J 2/1752
 2016/0271962 A1 * 9/2016 Omuro B41J 2/17553
 2016/0271967 A1 * 9/2016 Kudo B41J 2/19
 2016/0279957 A1 * 9/2016 Kudo B41J 2/17523

* cited by examiner

FIG. 1

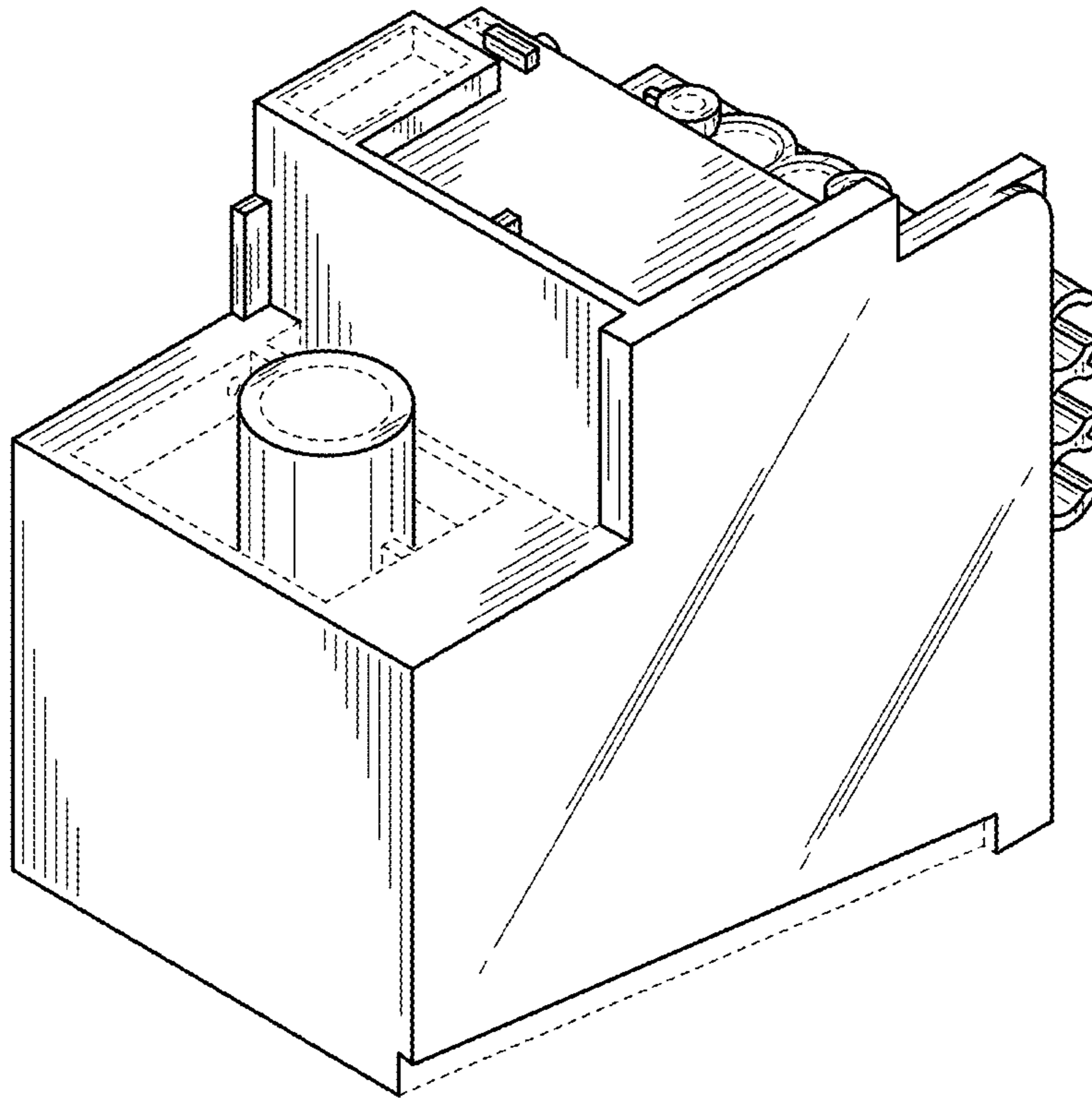


FIG. 2

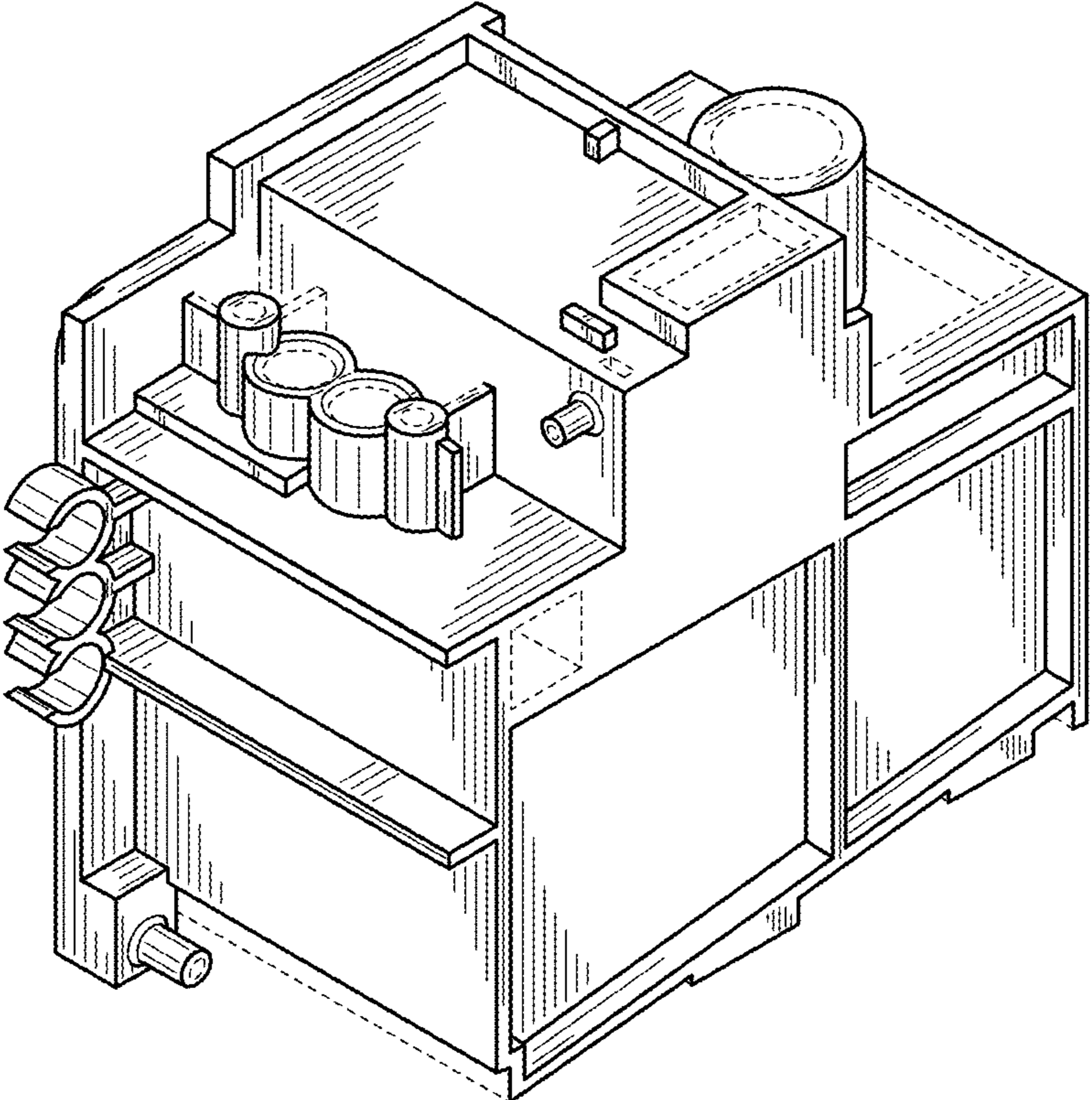


FIG. 3

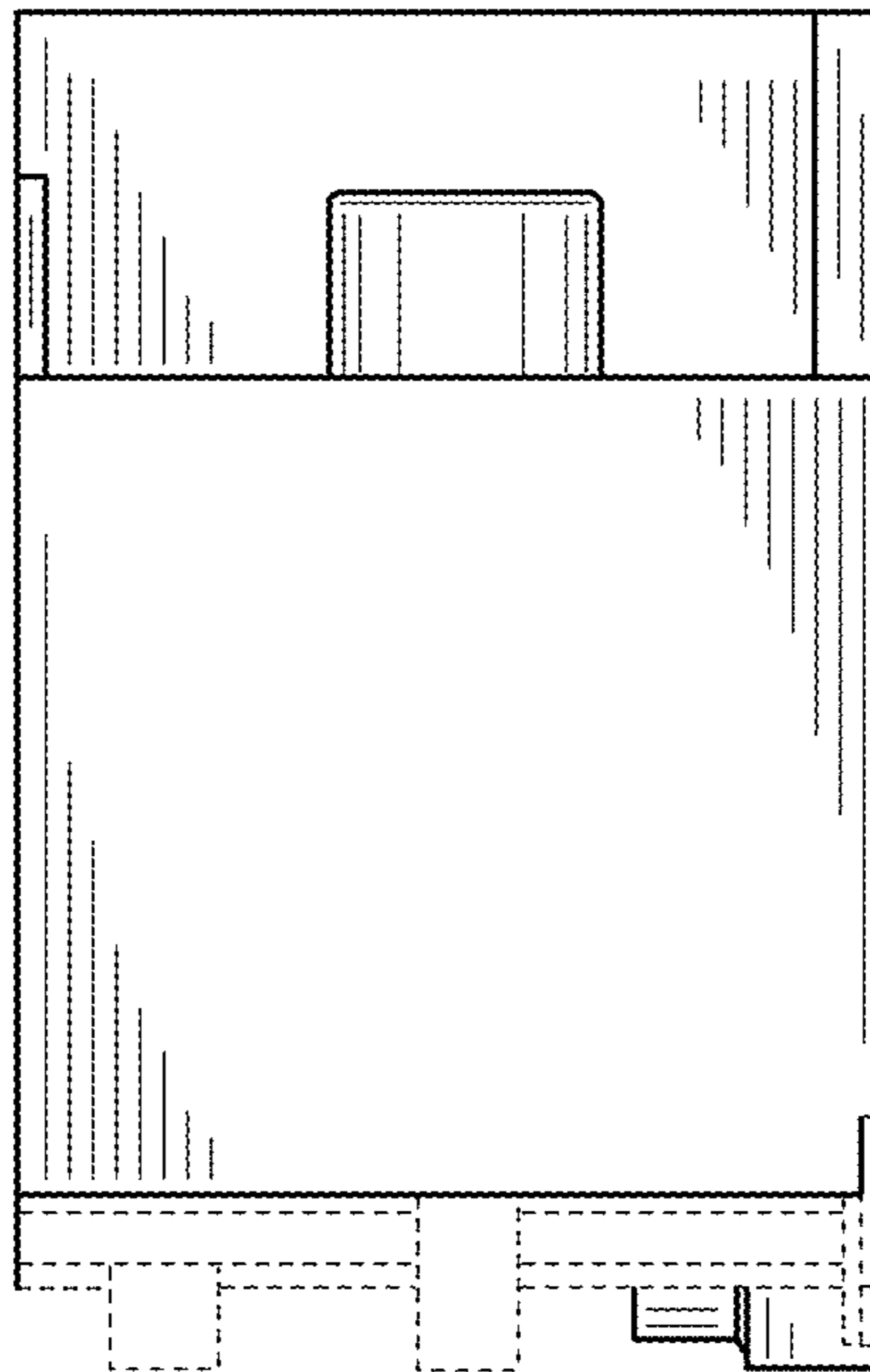


FIG. 4

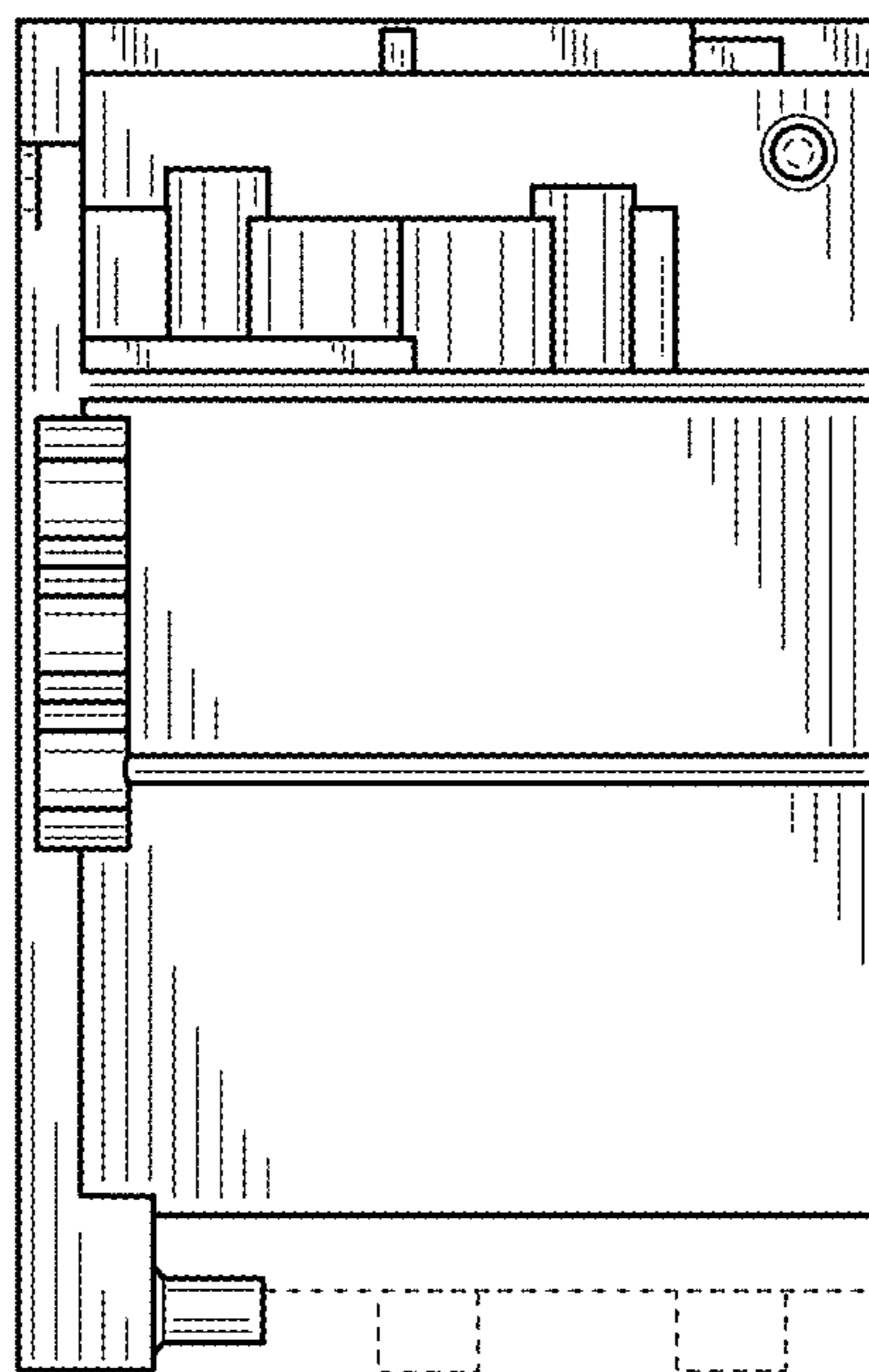


FIG. 5

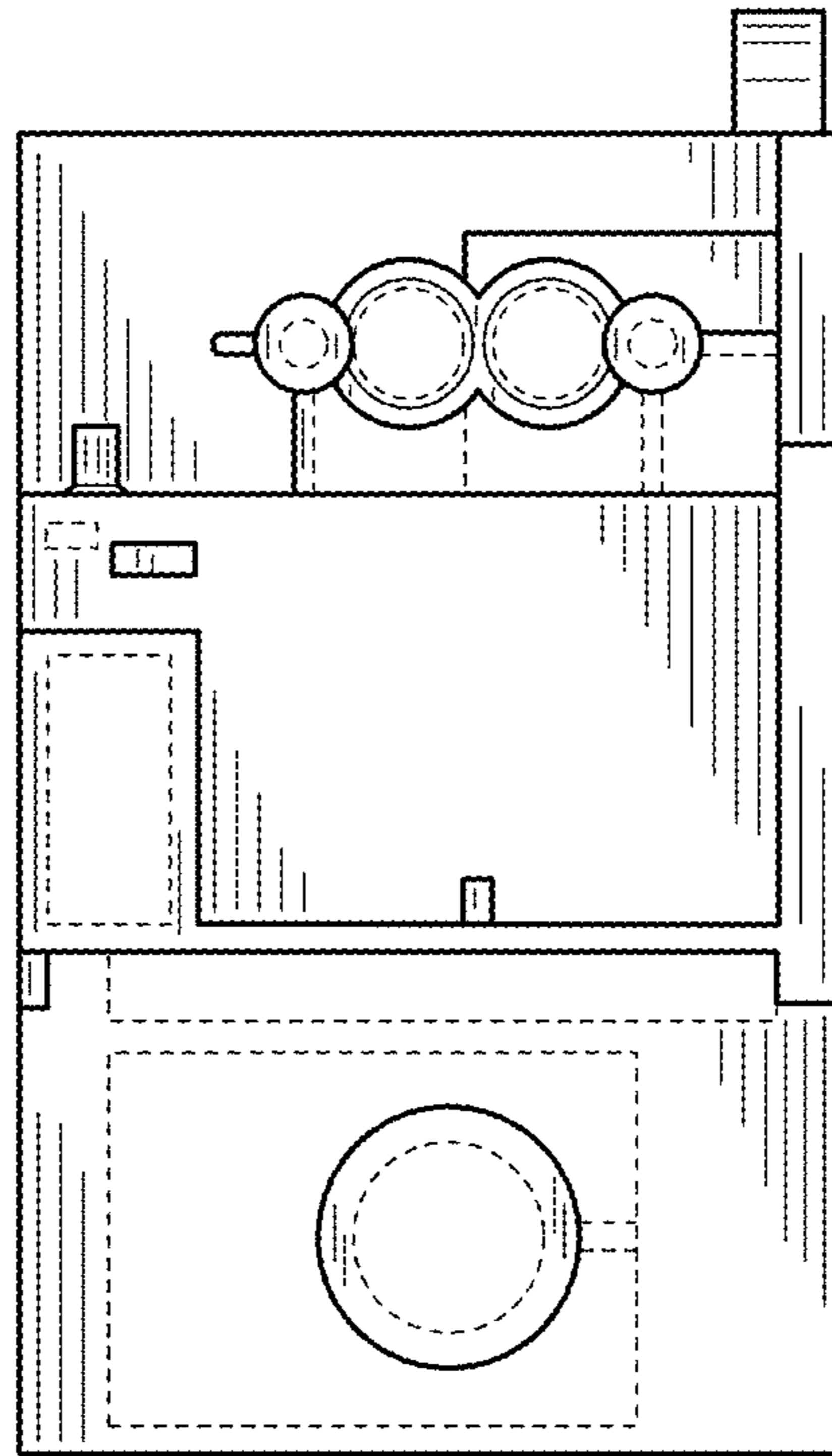


FIG. 6

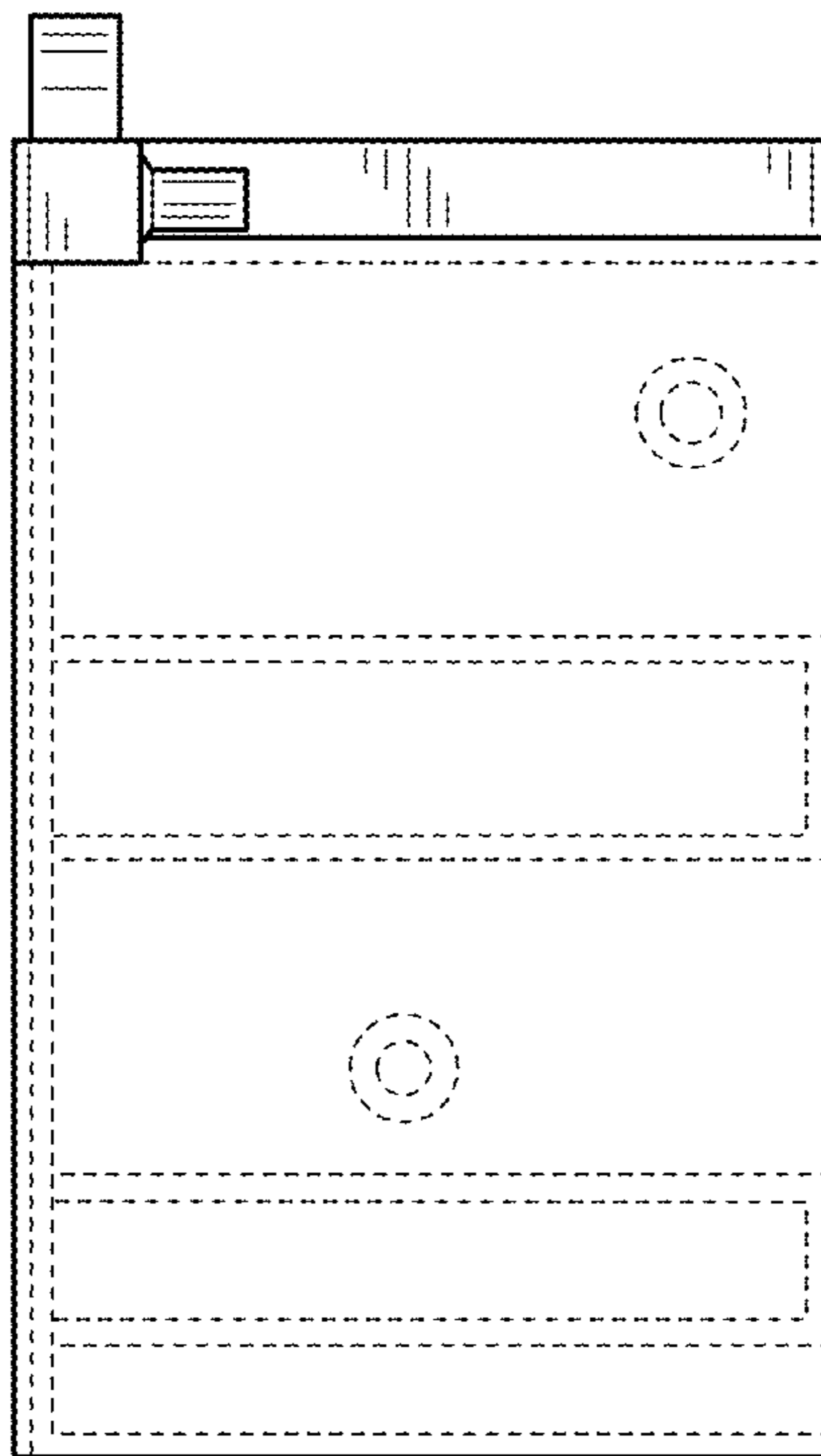


FIG. 7

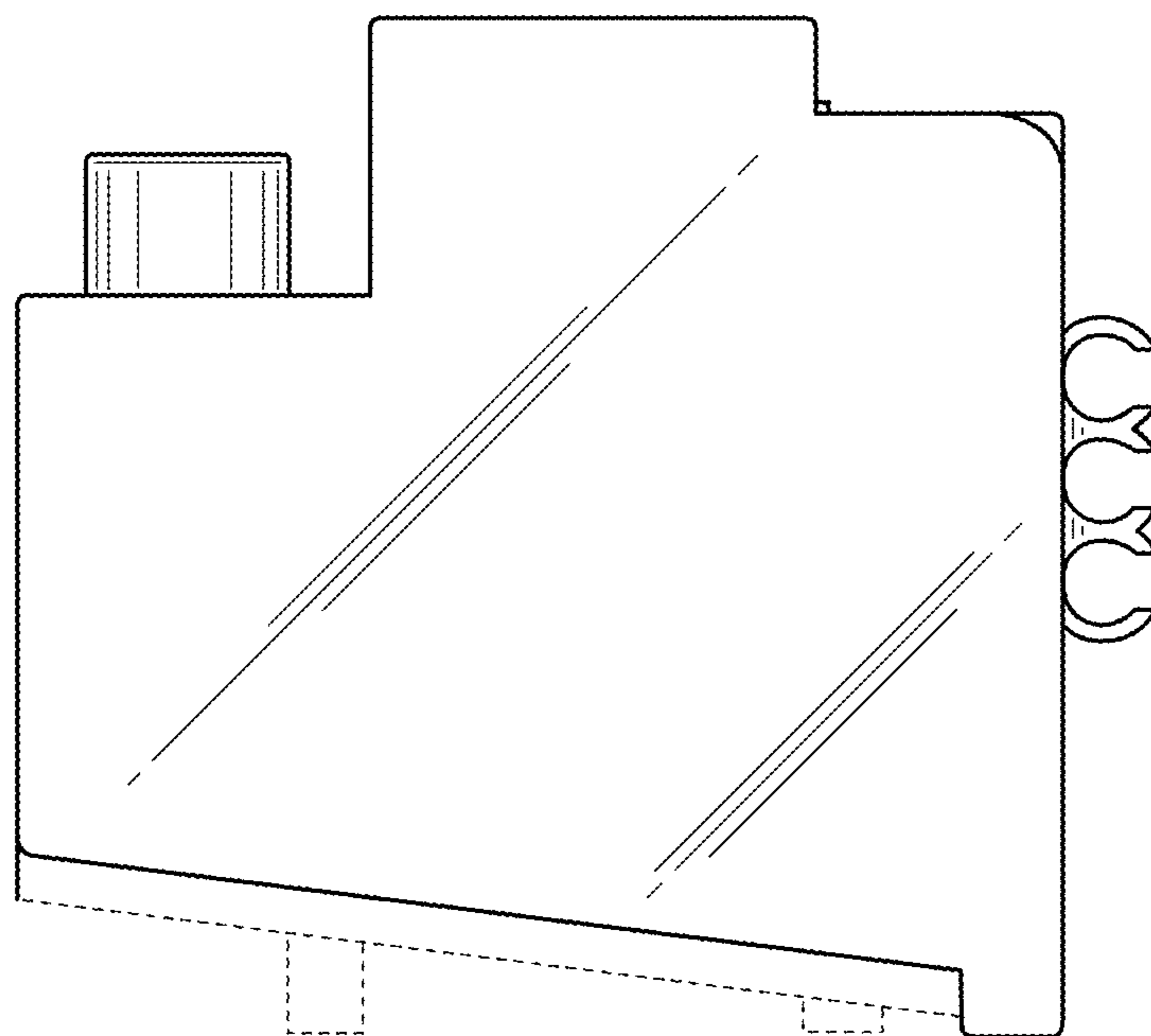


FIG. 8

