



US00D780840S

(12) **United States Design Patent**  
**Kim et al.**

(10) **Patent No.:** **US D780,840 S**  
(45) **Date of Patent:** **\*\* Mar. 7, 2017**

(54) **MULTI-FUNCTION PRINTER**

(71) Applicant: **Samsung Electronics Co., Ltd.**,  
Suwon-si (KR)  
(72) Inventors: **Jong Kyu Kim**, Yongin-si (KR);  
**Kwang Hyuck So**, Seoul (KR); **Seung**  
**Wook Jeong**, Seoul (KR)  
(73) Assignee: **Samsung Electronics Co., Ltd.**,  
Suwon-si (KR)

(\*\*) Term: **15 Years**  
(21) Appl. No.: **29/533,166**  
(22) Filed: **Jul. 15, 2015**

(30) **Foreign Application Priority Data**

Jan. 16, 2015 (KR) ..... 30-2015-0002165  
(51) **LOC (10) Cl.** ..... **18-02**  
(52) **U.S. Cl.**  
USPC ..... **D18/55**  
(58) **Field of Classification Search**  
USPC ..... D18/36-39, 50, 54, 54.1, 55;  
D14/420-425, 462-470  
CPC . B41J 3/4075; B41J 11/58; B41J 15/12; B41J  
15/042; B41J 17/00; B41J 29/02; B41J  
29/08  
See application file for complete search history.

(56) **References Cited**

U.S. PATENT DOCUMENTS

D696,341 S \* 12/2013 Yamada ..... D18/39  
D724,140 S \* 3/2015 Nishimura ..... D18/50  
D727,417 S \* 4/2015 Huang ..... D18/55  
D755,286 S \* 5/2016 Kim ..... D18/55

\* cited by examiner

*Primary Examiner* — Cathy Anne MacCormac  
(74) *Attorney, Agent, or Firm* — NSIP Law

(57) **CLAIM**

We claim the ornamental design for a multi-function printer,  
as shown and described.

**DESCRIPTION**

FIG. 1 is a front perspective view of a multi-function printer showing our new design;  
FIG. 2 is a front view thereof;  
FIG. 3 is a rear view thereof;  
FIG. 4 is a left-side view thereof;  
FIG. 5 is a right-side view thereof;  
FIG. 6 is a top view thereof; and,  
FIG. 7 is a bottom view thereof.  
The broken lines depict environmental subject matter and form no part of the claimed design.

**1 Claim, 6 Drawing Sheets**

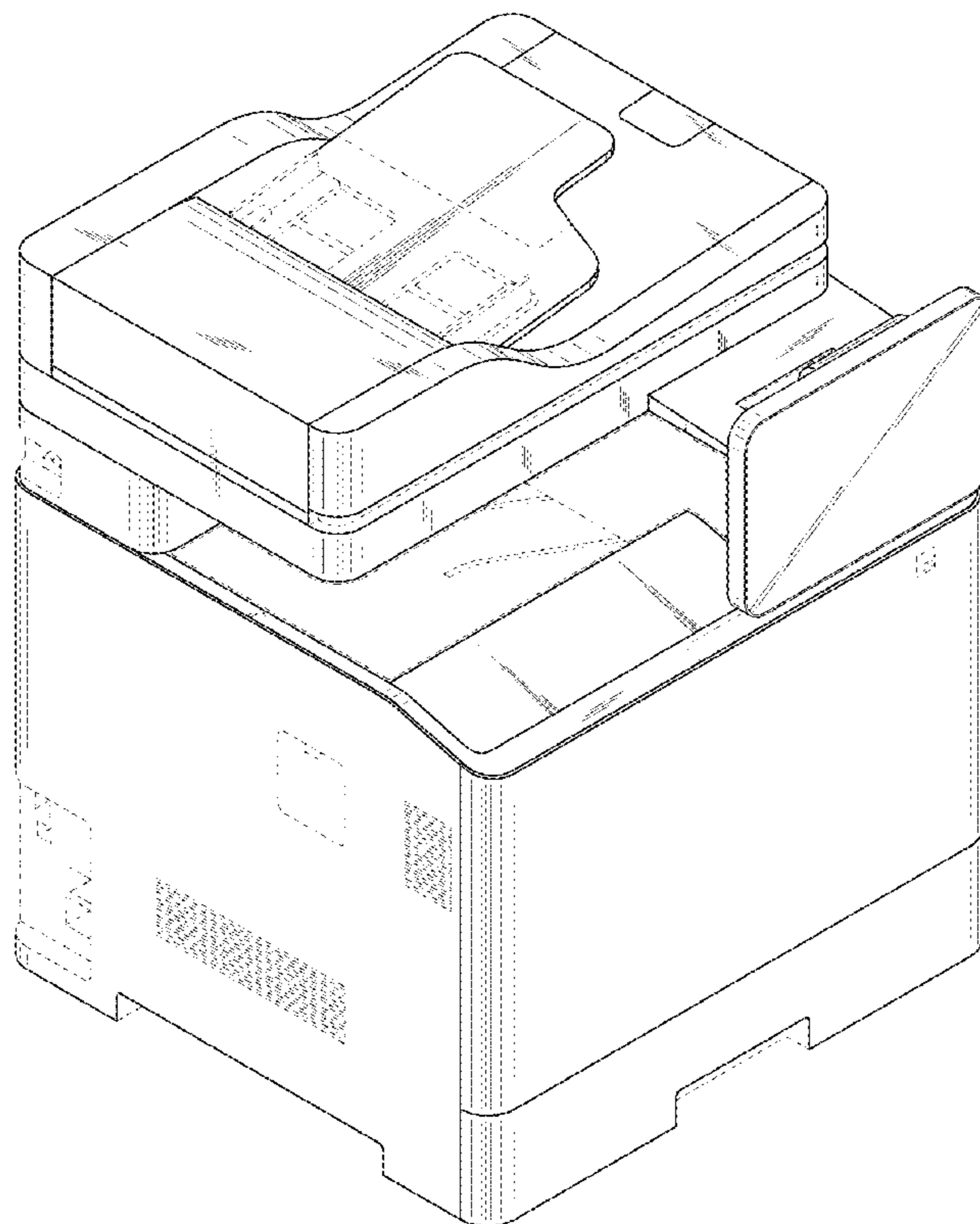


FIG.1

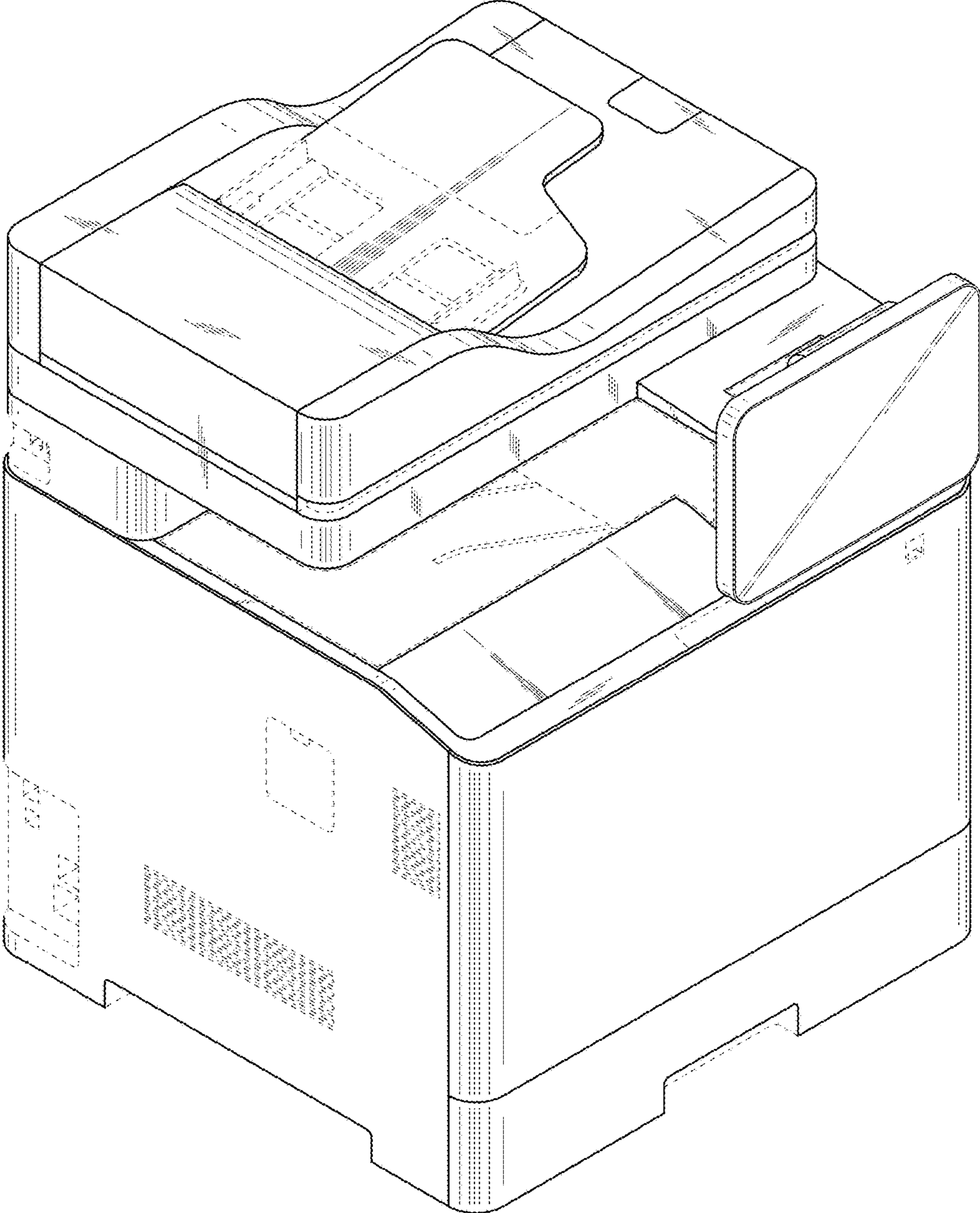


FIG.2

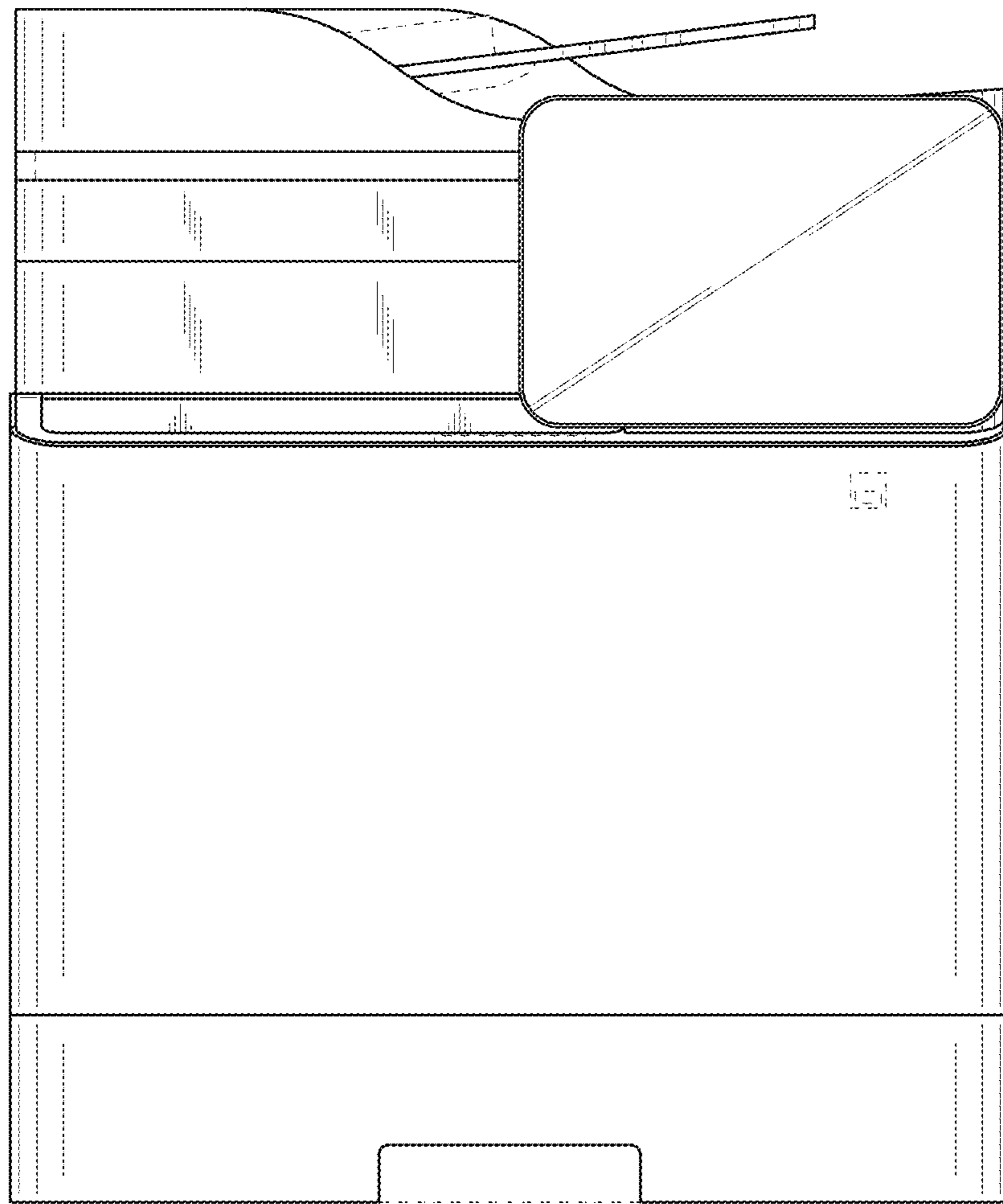


FIG.3

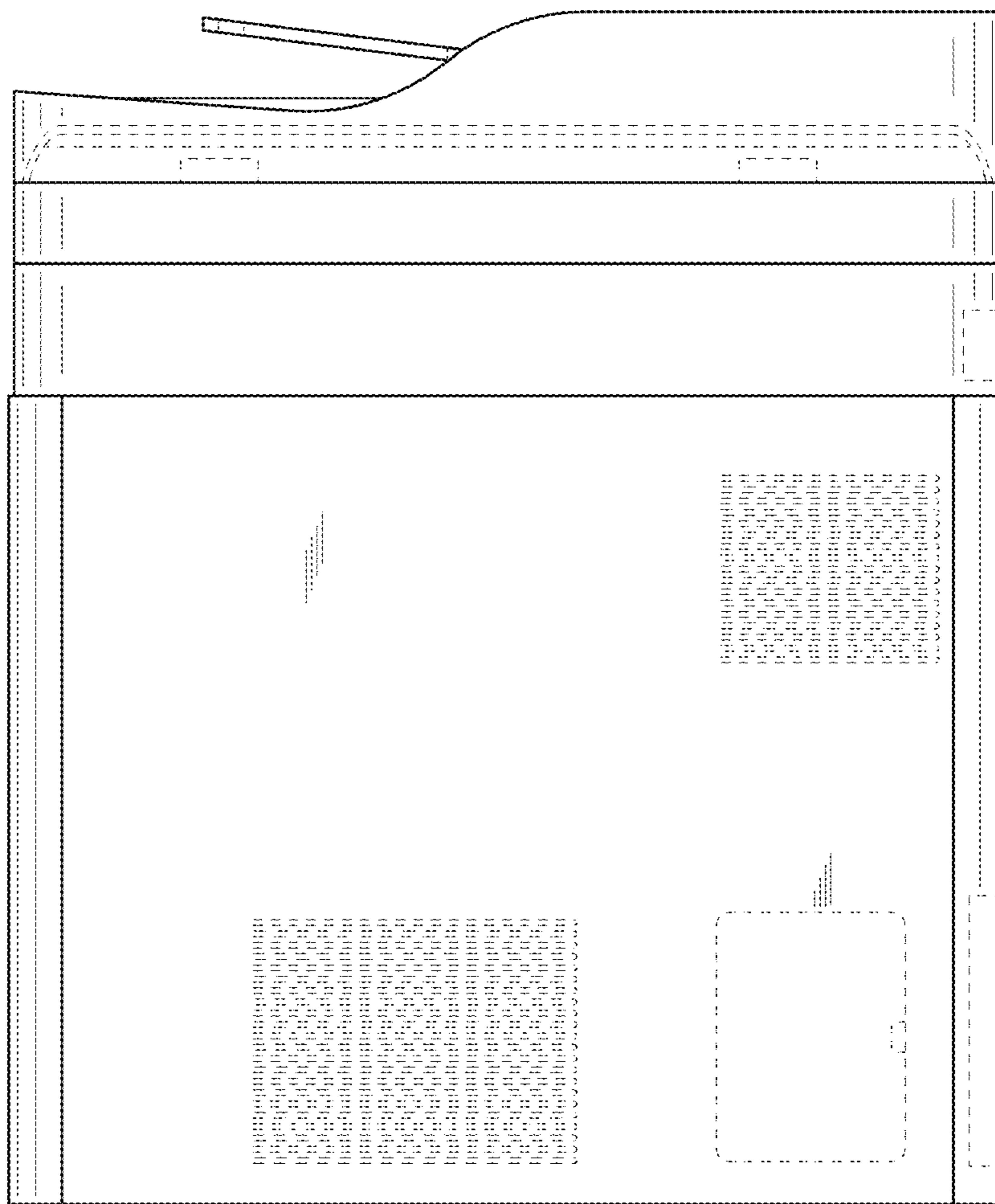


FIG.4

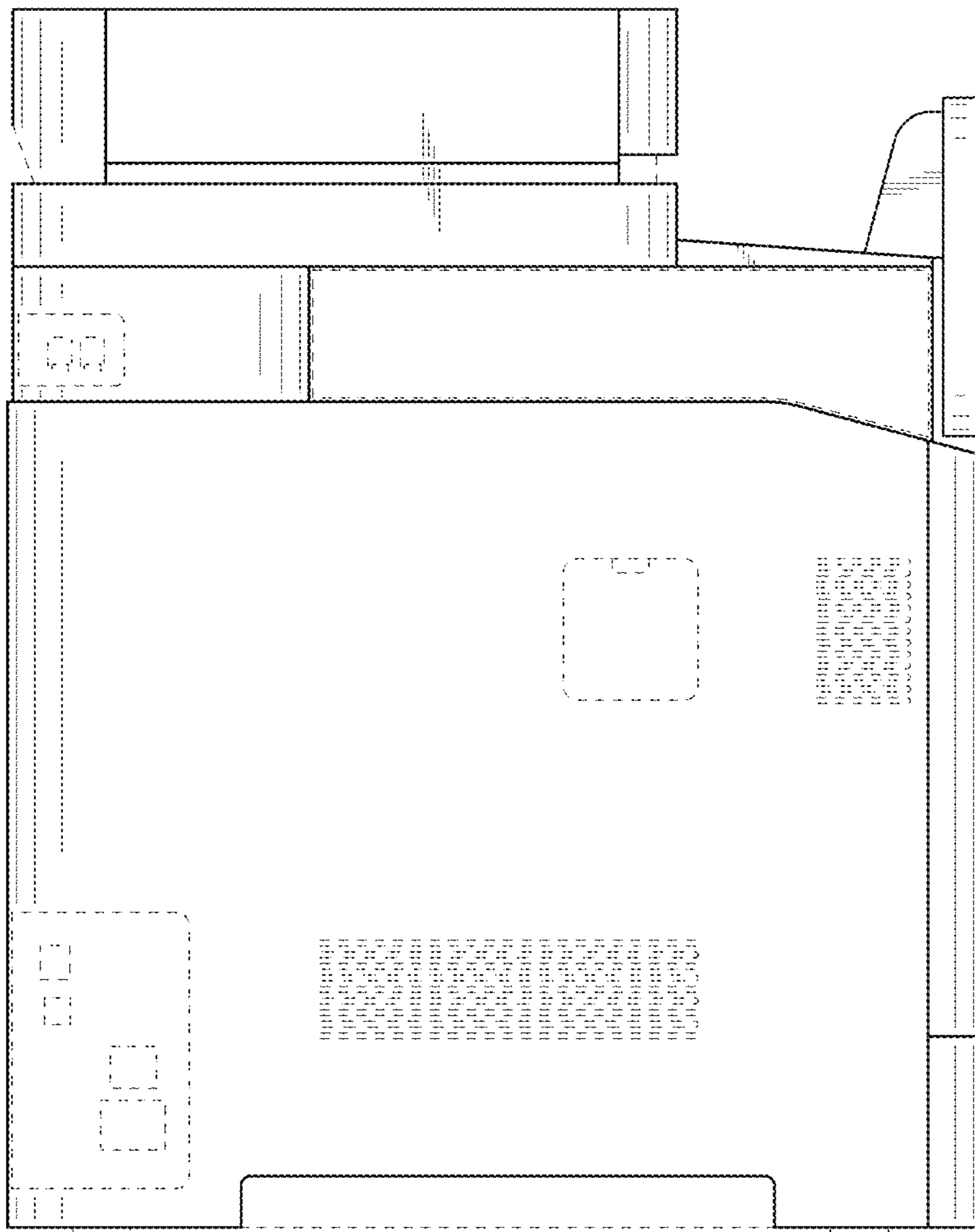




FIG.5

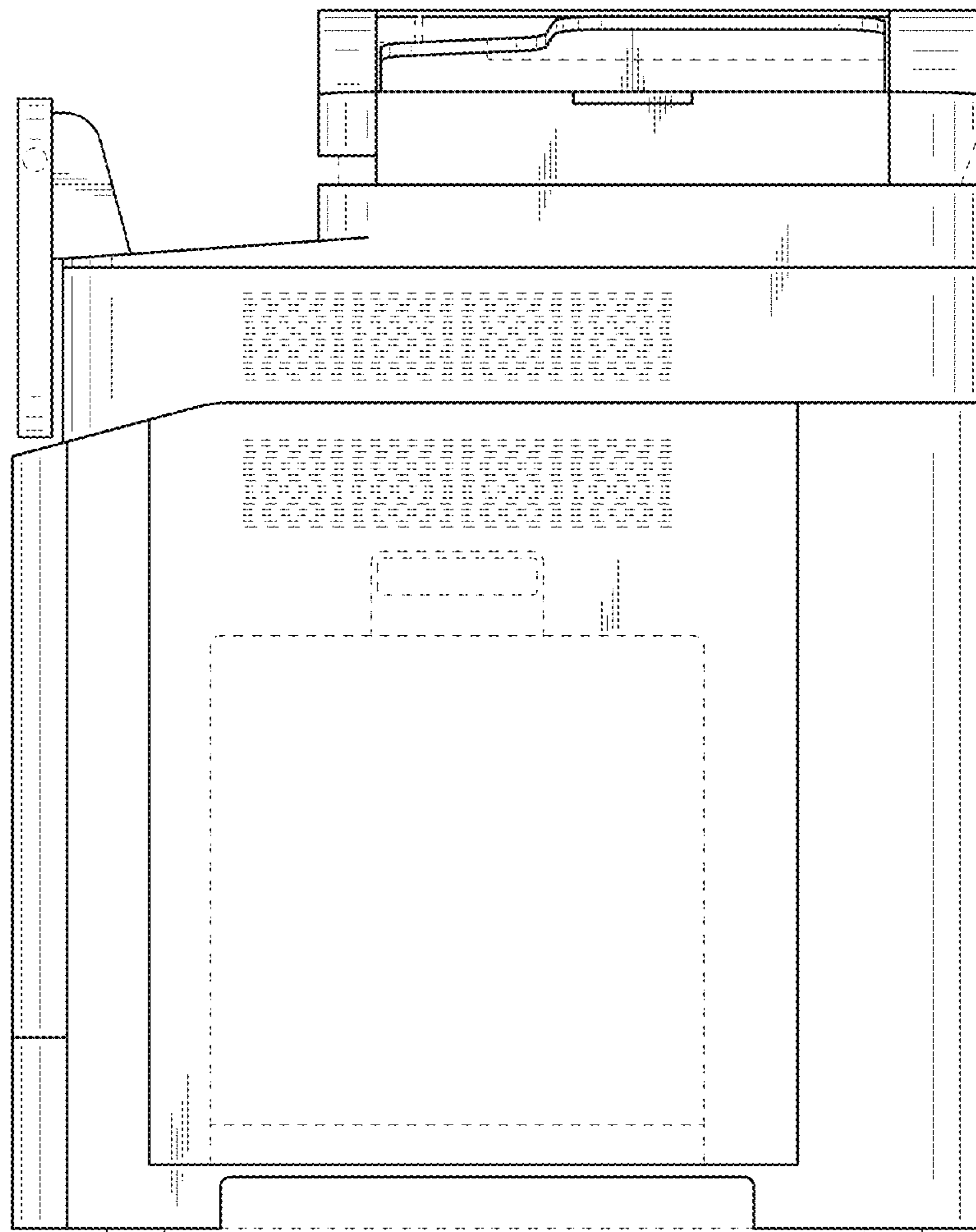


FIG.6

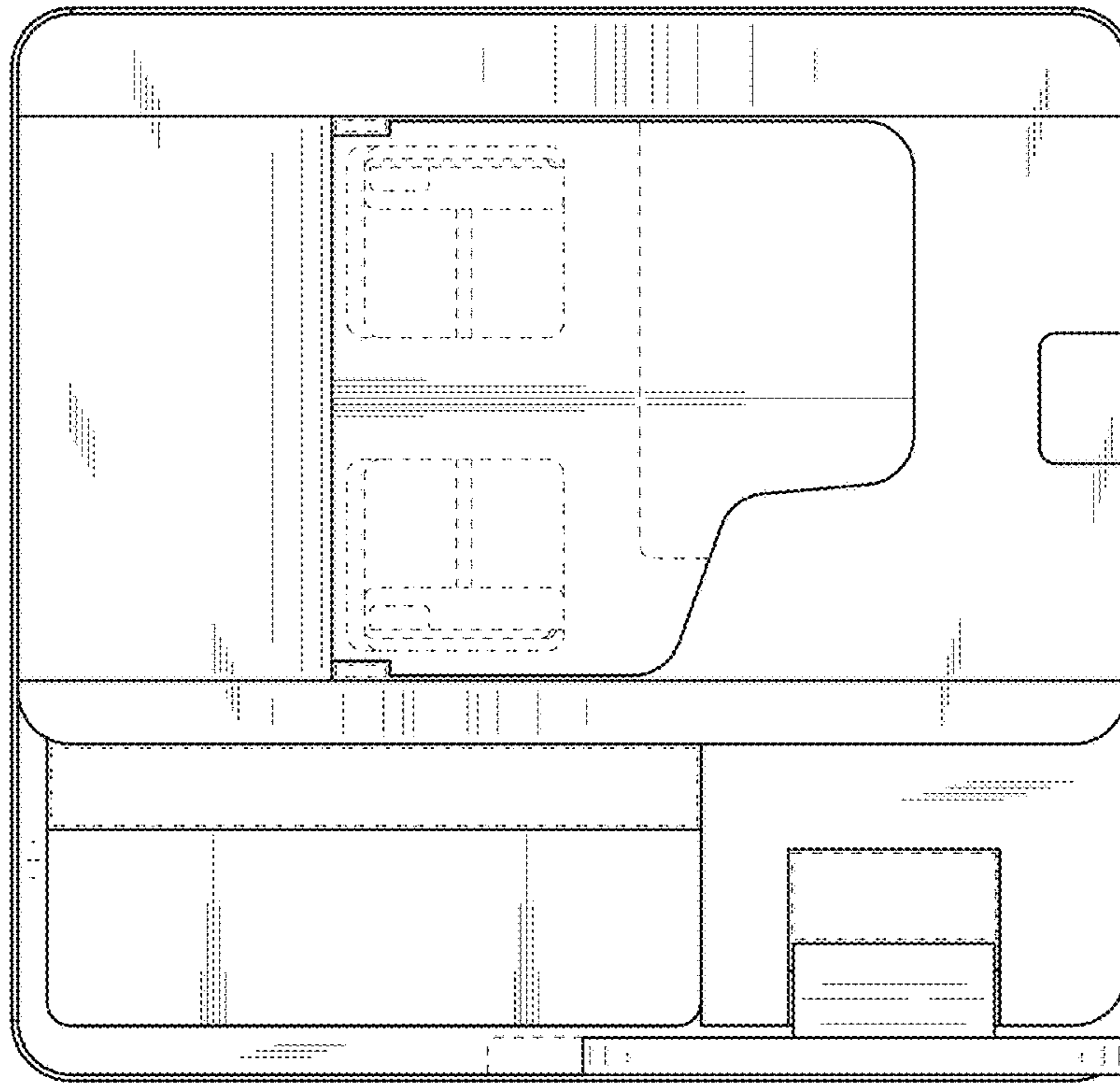
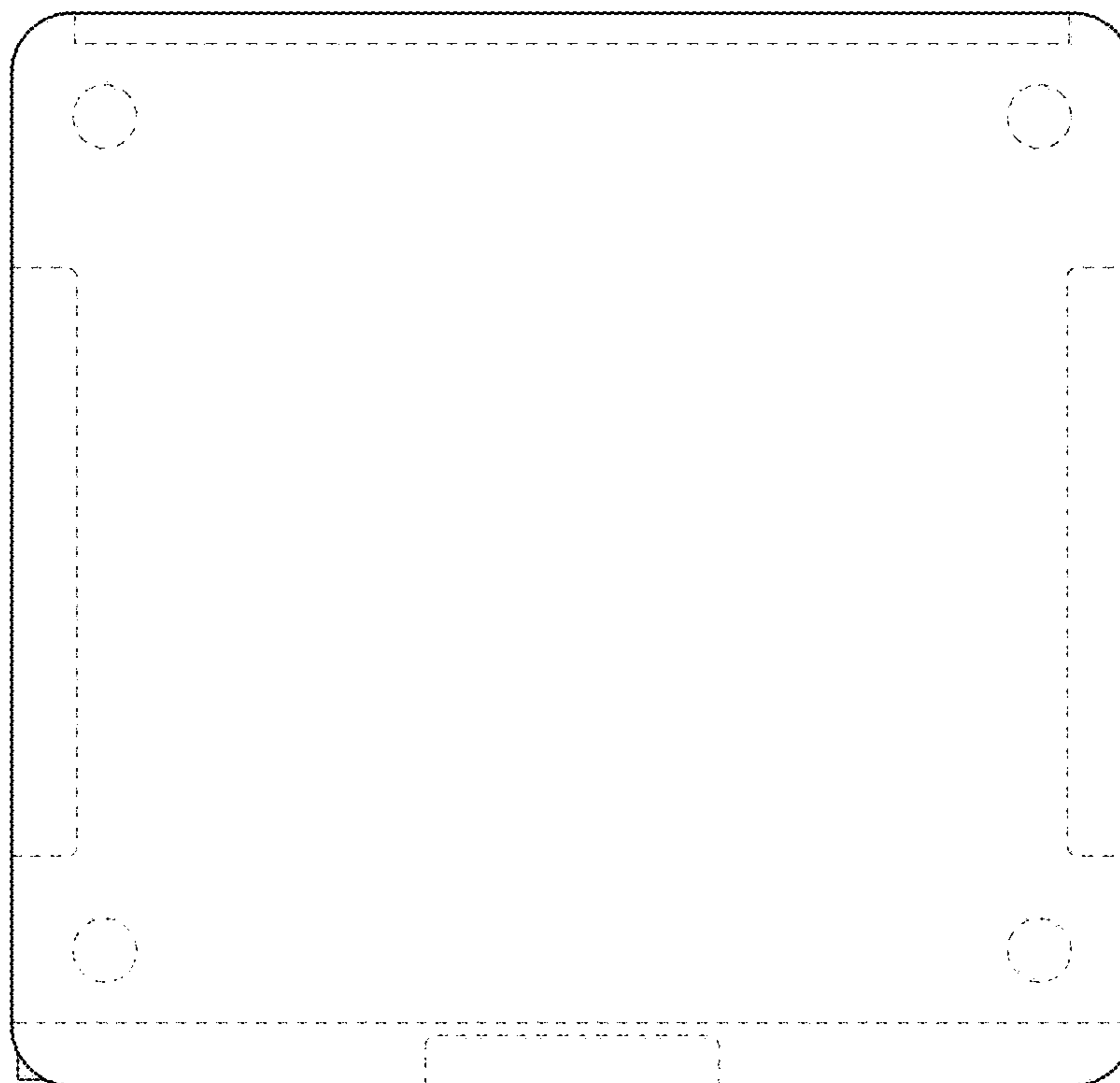


FIG.7



UNITED STATES PATENT AND TRADEMARK OFFICE  
**CERTIFICATE OF CORRECTION**

PATENT NO. : D780,840 S  
APPLICATION NO. : 29/533166  
DATED : March 7, 2017  
INVENTOR(S) : Kim et al.

Page 1 of 1

It is certified that error appears in the above-identified patent and that said Letters Patent is hereby corrected as shown below:

On the Title Page

Item (73) Assignee, Replace “Samsung Electronics Co., Ltd., Suwon-si (KR)” with  
“S-Printing Solutioc Co. Ltd., Suwon-si (KR)”

Signed and Sealed this  
Twenty-ninth Day of August, 2017



Joseph Matal  
*Performing the Functions and Duties of the  
Under Secretary of Commerce for Intellectual Property and  
Director of the United States Patent and Trademark Office*