



US00D780839S

(12) **United States Design Patent**
Kim et al.

(10) **Patent No.:** **US D780,839 S**
(45) **Date of Patent:** **** Mar. 7, 2017**

(54) **MULTI-FUNCTION PRINTER**
(71) Applicant: **Samsung Electronics Co., Ltd.**,
Suwon-si (KR)
(72) Inventors: **Jong Kyu Kim**, Yongin-si (KR); **Min Chul Kim**, Seoul (KR); **Seung Wook Jeong**, Seoul (KR)
(73) Assignee: **Samsung Electronics Co., Ltd.**,
Suwon-si (KR)

D567,848 S * 4/2008 Kawamura D18/39
D688,742 S * 8/2013 Kim D18/55
D689,543 S * 9/2013 Seki D18/50
D695,339 S * 12/2013 Fukasawa D18/55
D697,966 S * 1/2014 Fukasawa D18/55
D698,389 S * 1/2014 Fukasawa D18/55
D702,760 S * 4/2014 Kim D18/55
D726,250 S * 4/2015 Kim D18/55
D726,251 S * 4/2015 Kim D18/55
D742,960 S * 11/2015 Lee D18/50

(**) Term: **15 Years**

* cited by examiner

Primary Examiner — Cathy Anne MacCormac

(74) *Attorney, Agent, or Firm* — NSIP Law

(21) Appl. No.: **29/531,852**

(22) Filed: **Jun. 30, 2015**

(57) **CLAIM**

We claim the ornamental design for a multi-function printer, as shown and described.

(30) **Foreign Application Priority Data**

Dec. 31, 2014 (KR) 30-2014-0064473

(51) **LOC (10) Cl.** **18-02**

(52) **U.S. Cl.**
USPC **D18/55**

(58) **Field of Classification Search**
USPC D18/36–39, 50, 54, 54.1, 55;
D14/420–425, 462–470
CPC . B41J 3/4075; B41J 11/58; B41J 15/12; B41J
15/042; B41J 17/00; B41J 29/02; B41J
29/08
See application file for complete search history.

DESCRIPTION

FIG. 1 is a front perspective view of a multi-function printer showing our new design;
FIG. 2 is a front view thereof;
FIG. 3 is a rear view thereof;
FIG. 4 is a left-side view thereof;
FIG. 5 is a right-side view thereof;
FIG. 6 is a top view thereof;
FIG. 7 is a bottom view thereof;
FIG. 8 is a front view thereof with the unclaimed features removed; and,
FIG. 9 is a right side view of FIG. 8.
The broken lines depict environmental subject matter and form no part of the claimed design.

(56) **References Cited**

U.S. PATENT DOCUMENTS

D550,279 S * 9/2007 Tani D18/50
D565,650 S * 4/2008 Tani D18/50

1 Claim, 9 Drawing Sheets

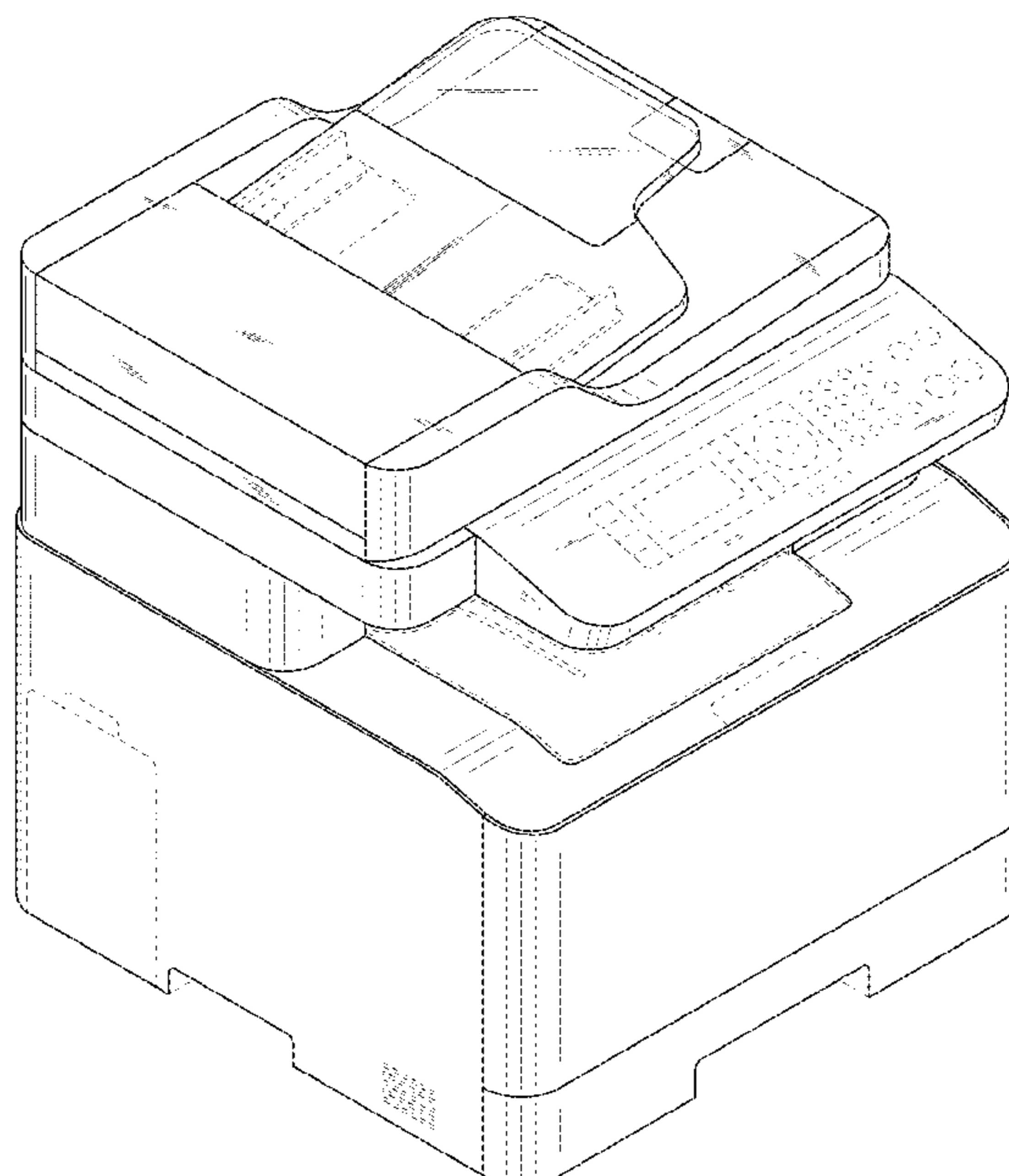


FIG. 1

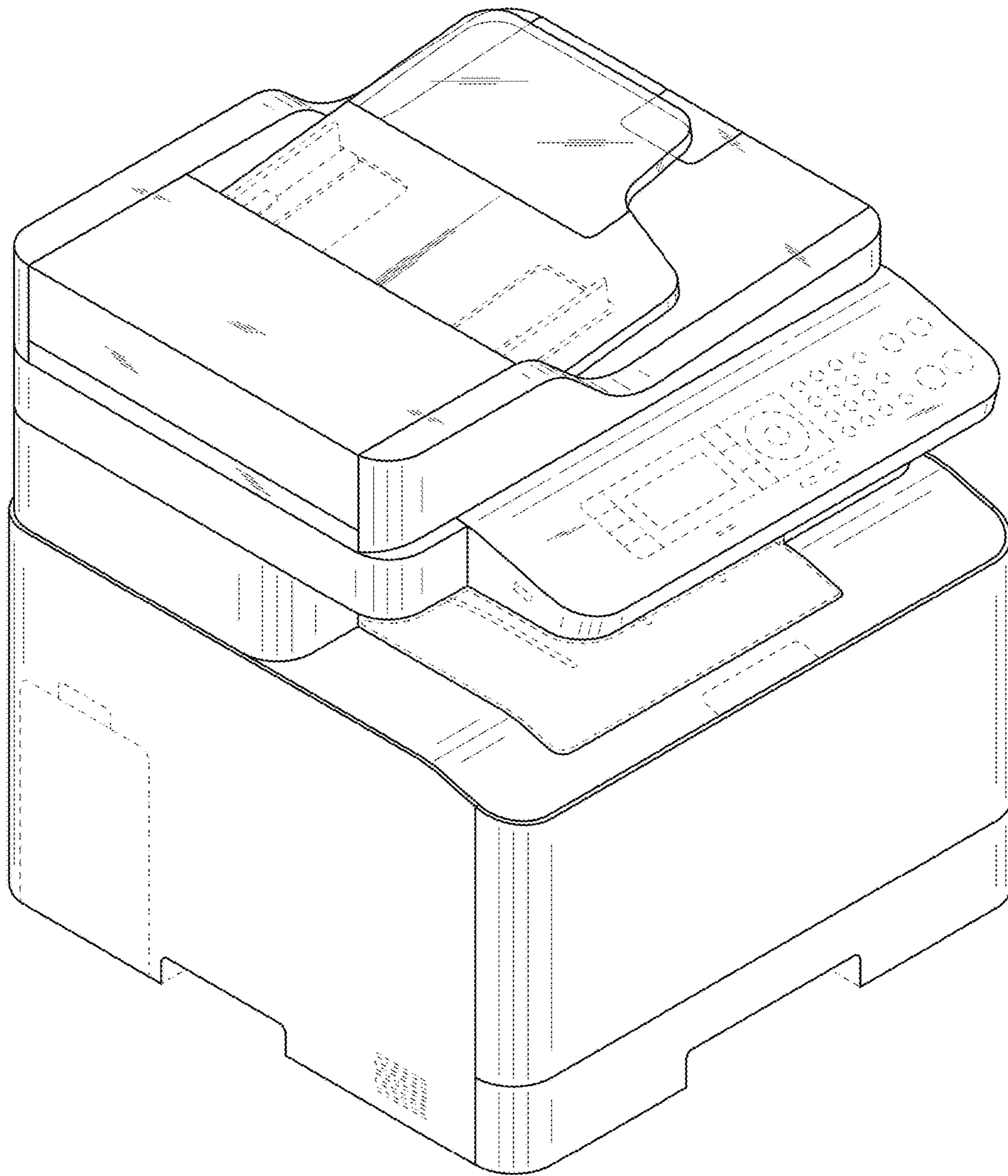


FIG.2

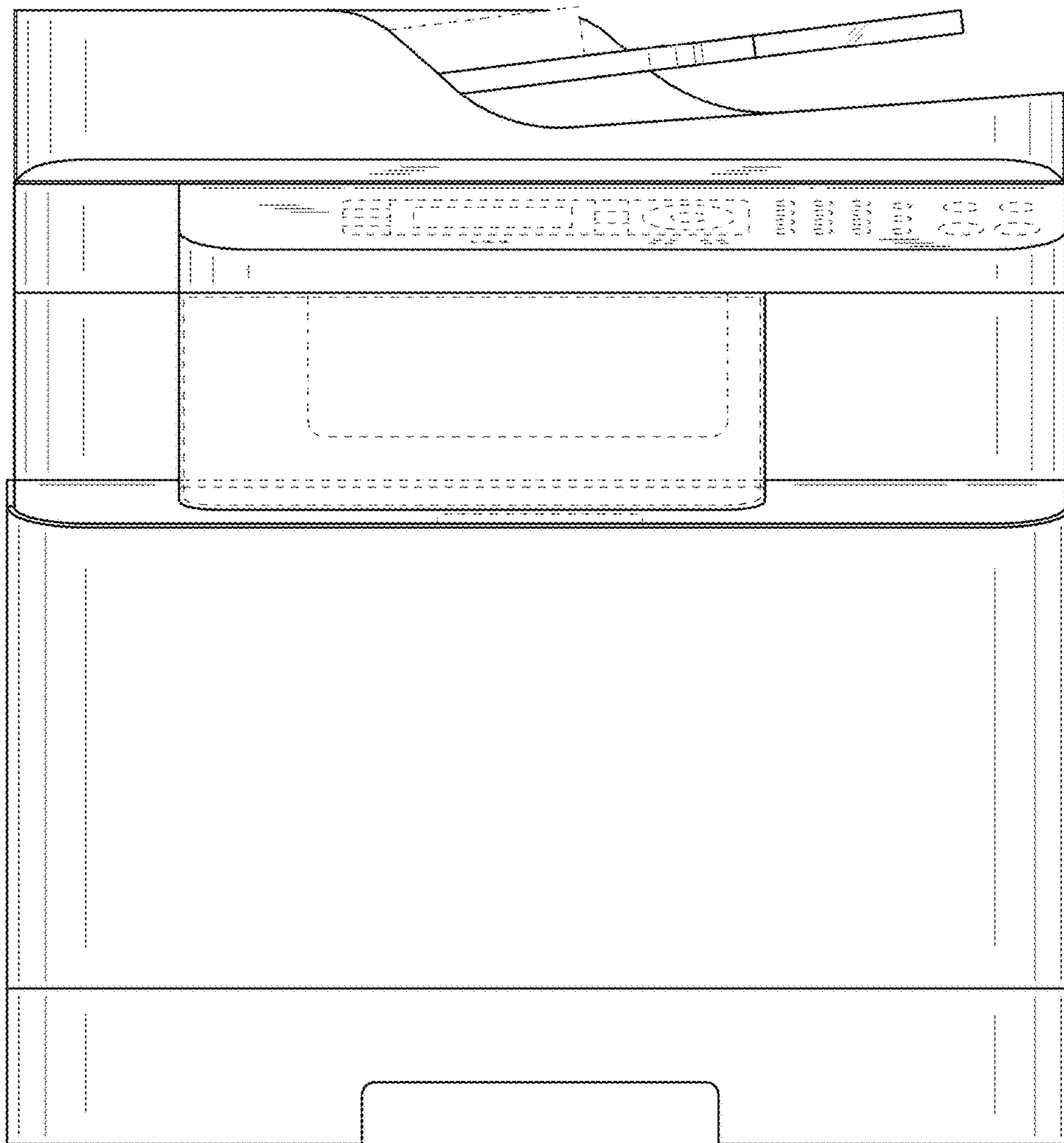


FIG.3

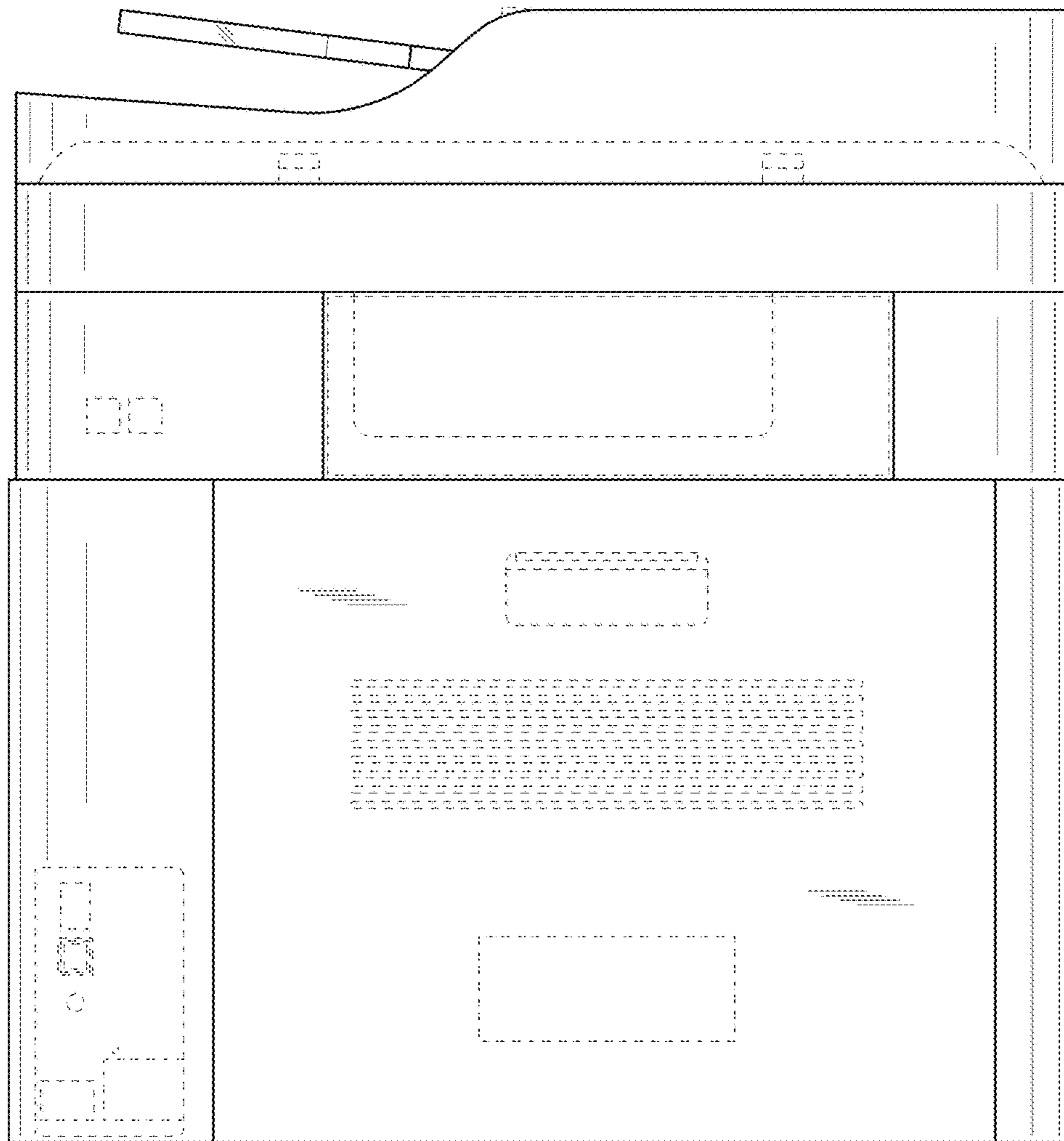


FIG.4

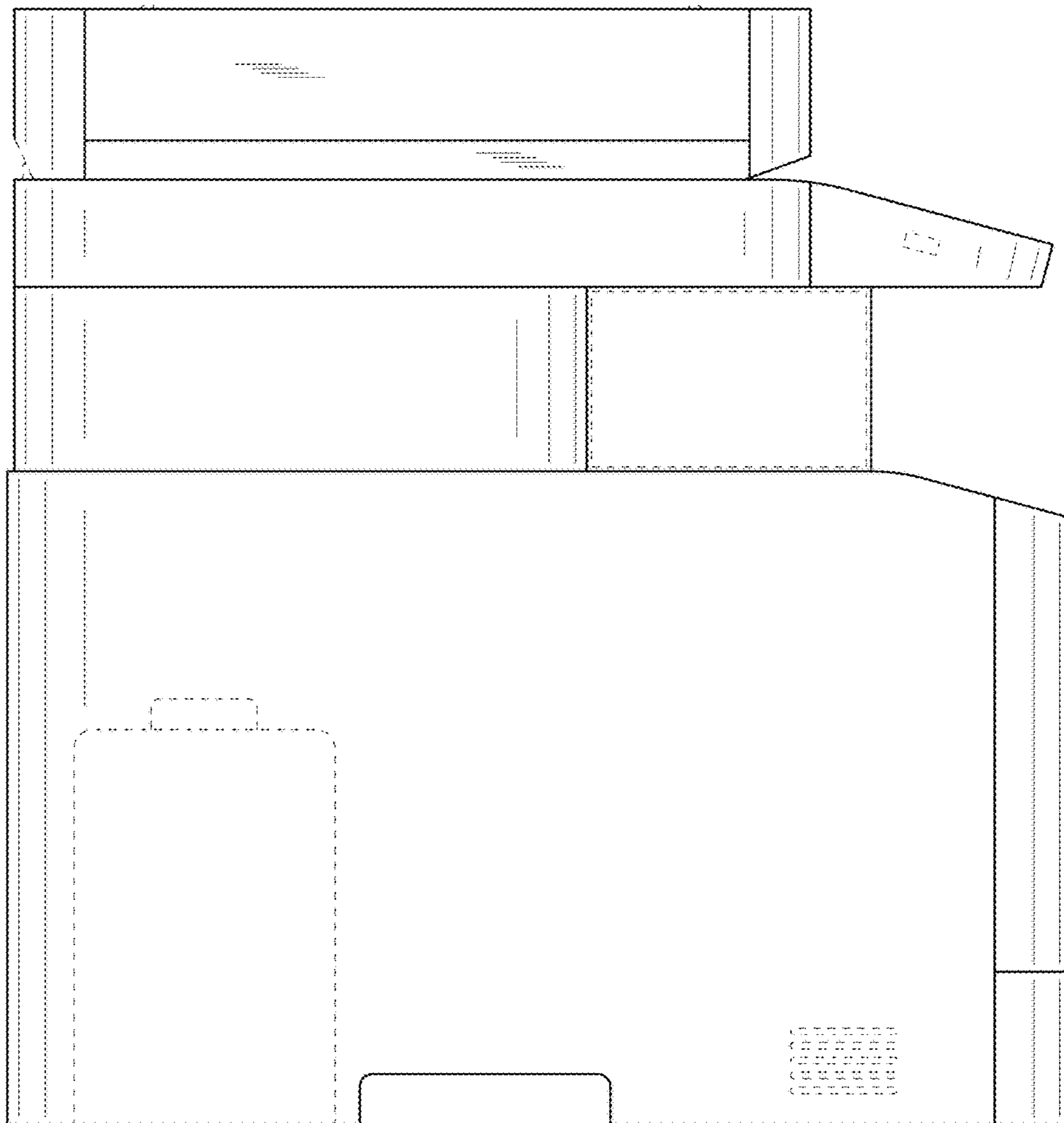


FIG.5

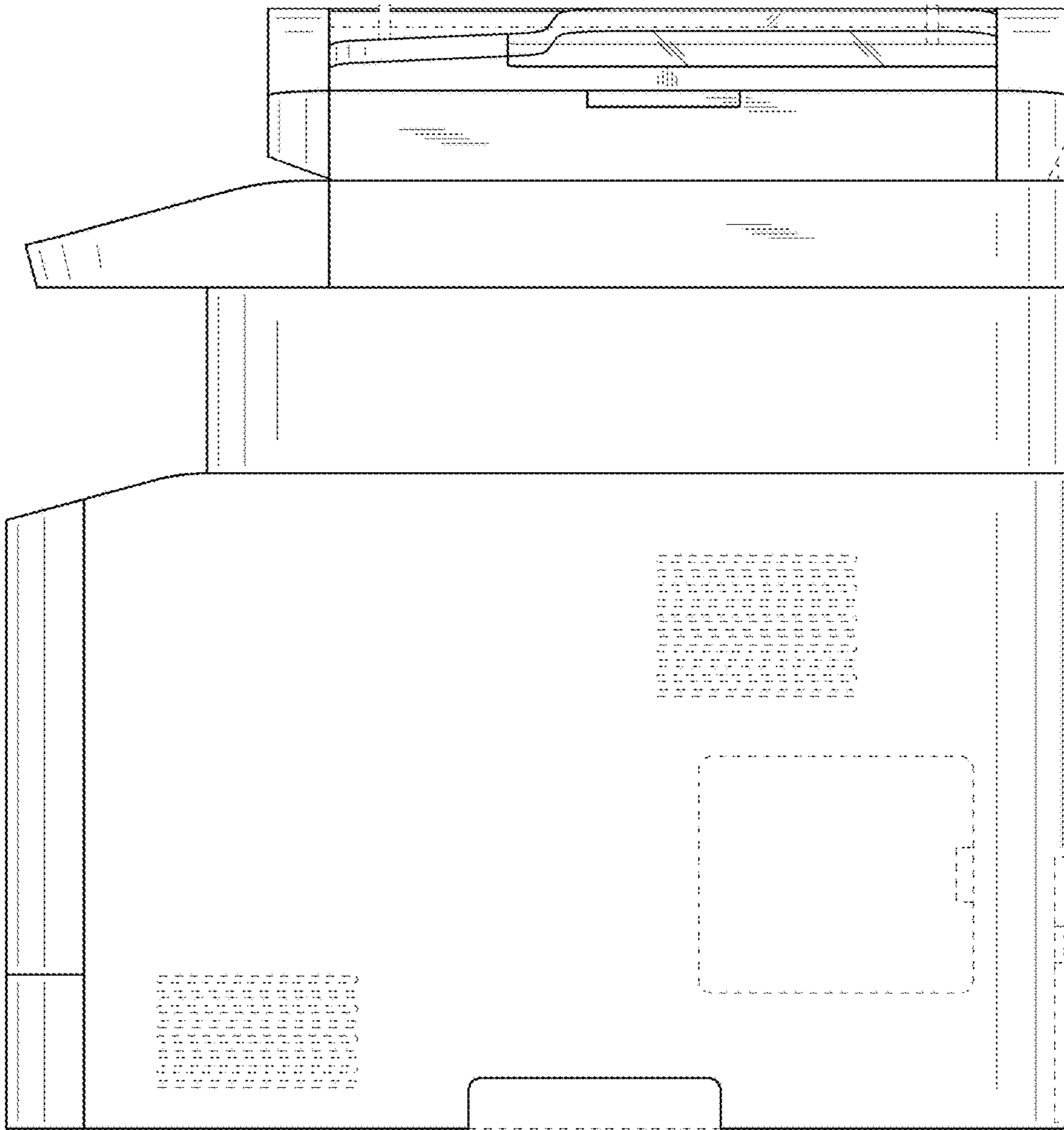


FIG.6

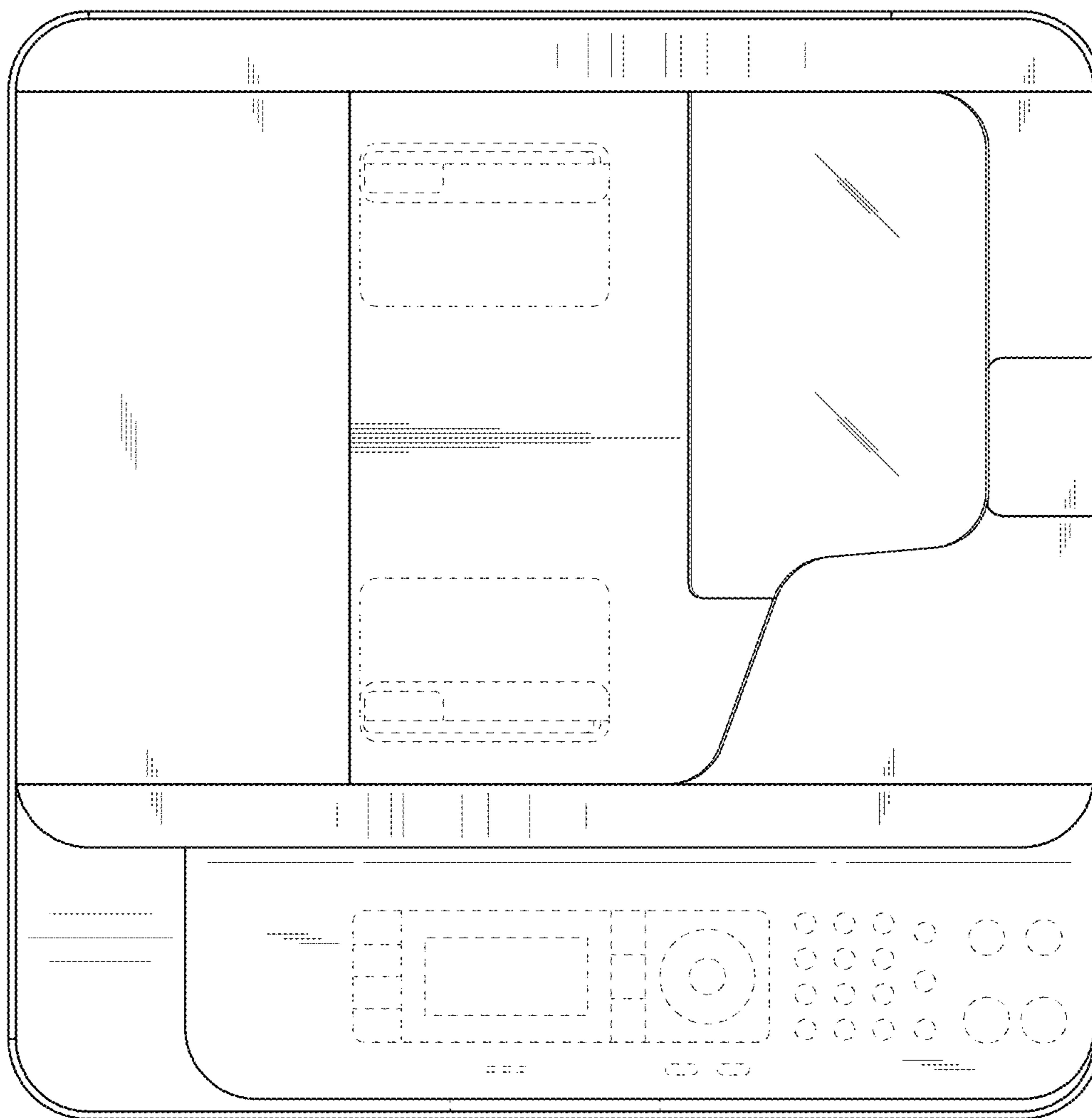


FIG.7

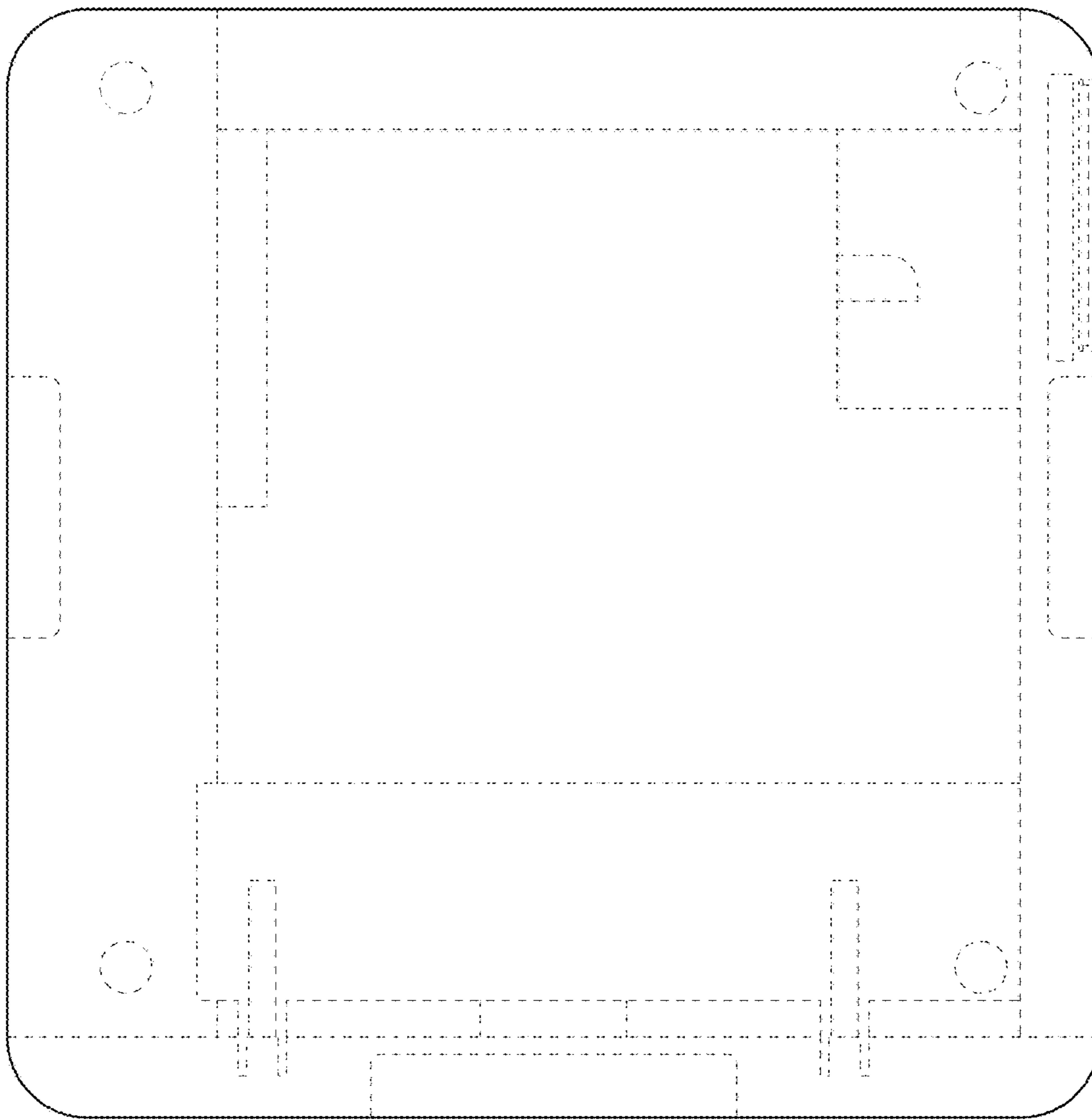


FIG.8

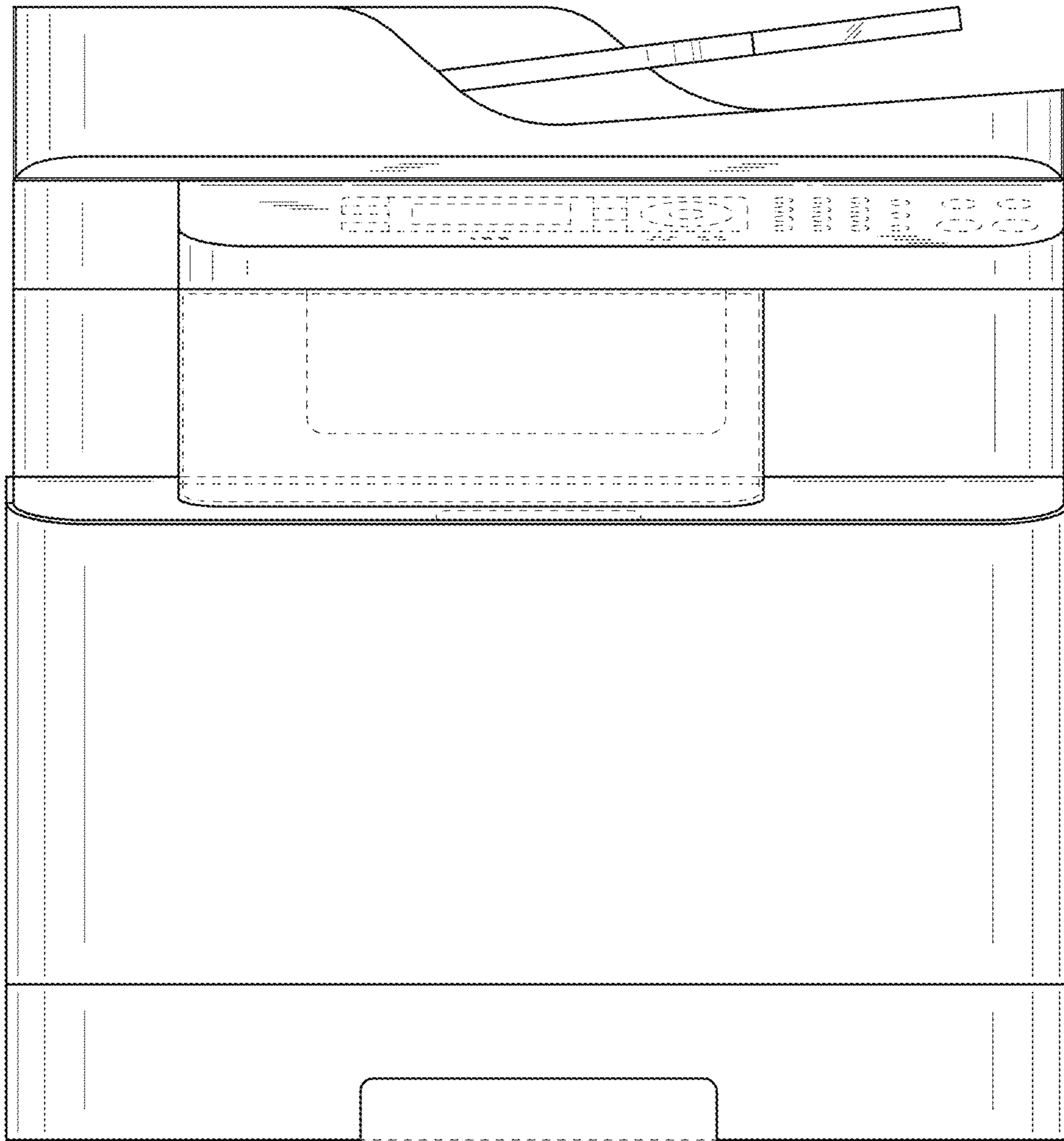
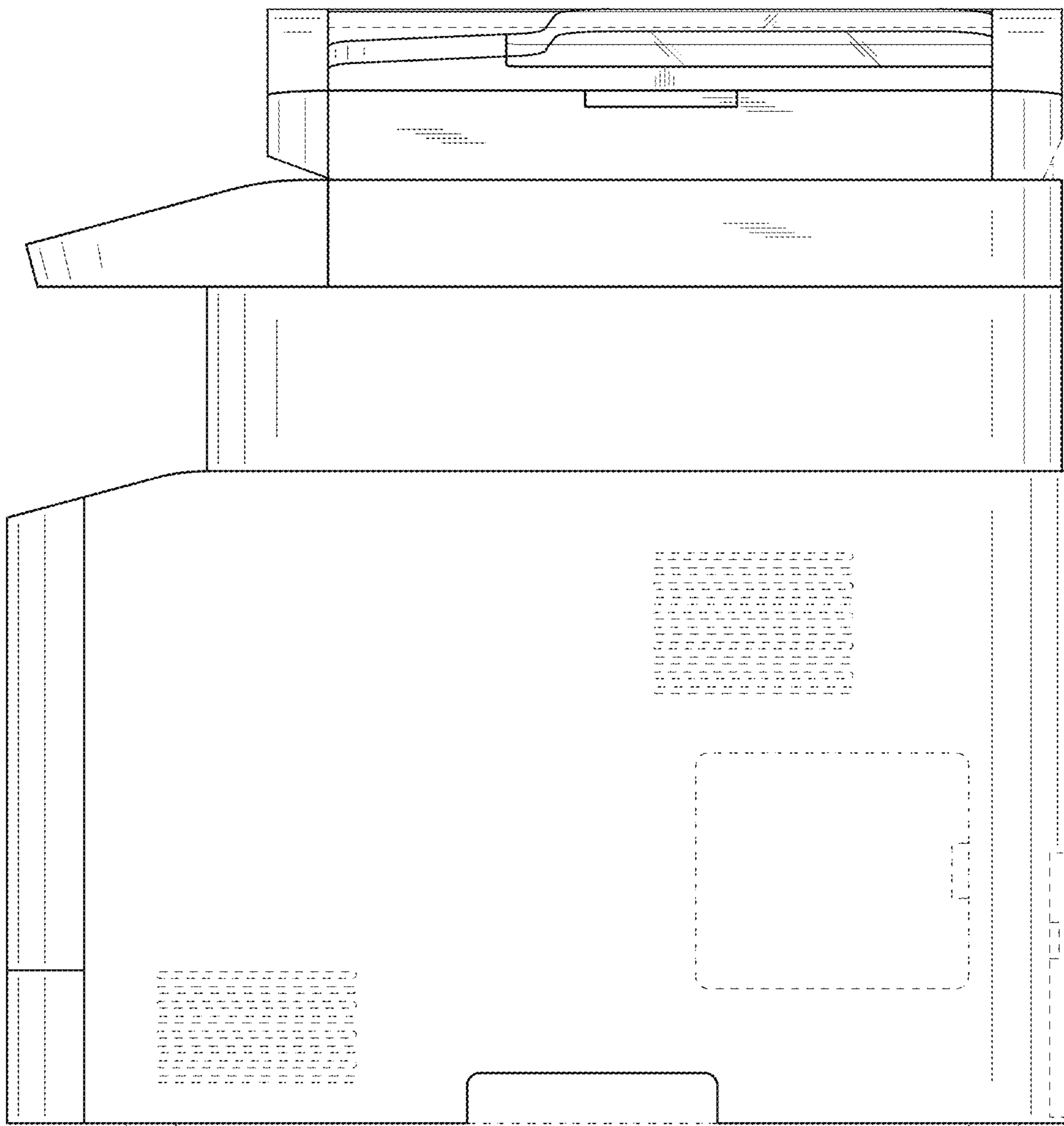


FIG.9



UNITED STATES PATENT AND TRADEMARK OFFICE
CERTIFICATE OF CORRECTION

PATENT NO. : D780,839 S
APPLICATION NO. : 29/531852
DATED : March 7, 2017
INVENTOR(S) : Kim et al.

Page 1 of 1

It is certified that error appears in the above-identified patent and that said Letters Patent is hereby corrected as shown below:

On the Title Page

Item (73) Assignee, Replace “Samsung Electronics Co., Ltd., Suwon-si (KR)” with
“S-Printing Solutioc Co. Ltd., Suwon-si (KR)”

Signed and Sealed this
Twenty-ninth Day of August, 2017



Joseph Matal
*Performing the Functions and Duties of the
Under Secretary of Commerce for Intellectual Property and
Director of the United States Patent and Trademark Office*