



US00D780837S

(12) **United States Design Patent**  
**Chandontrikij**

(10) **Patent No.:** **US D780,837 S**

(45) **Date of Patent:** **\*\* Mar. 7, 2017**

- (54) **SIDE PLATE**
- (71) Applicant: **CHAN MUSICAL CO., LTD.**, North Bangkae, Bangkae (TH)
- (72) Inventor: **Krisakorn Chandontrikij**, Bangkok (TH)
- (73) Assignee: **CHAN MUSICAL CO., LTD.**, Bangkok (TH)
- (\*\*) Term: **15 Years**
- (21) Appl. No.: **29/542,271**
- (22) Filed: **Oct. 13, 2015**
- (51) **LOC (10) Cl.** ..... **17-04**
- (52) **U.S. Cl.**  
USPC ..... **D17/22**
- (58) **Field of Classification Search**  
USPC ..... D17/14, 19, 20, 22, 99; D21/405  
CPC ..... G10D 113/006; G10D 113/02; G10D 113/026; G10D 113/028; G10D 113/027; G10D 113/025; G10D 113/022; G10D 113/08; G10D 13/006; G10D 13/02; G10D 13/026; G10D 13/028; G10D 13/027; G10D 13/025; G10D 13/022; G10D 13/08  
See application file for complete search history.

- 6,018,116 A \* 1/2000 Simons ..... G10D 13/00 248/345.1
- D516,116 S \* 2/2006 Webb ..... D17/22
- D541,330 S \* 4/2007 Lombardi ..... D17/22
- 7,402,740 B2 \* 7/2008 van der Meulen .. G10D 13/023 84/411 R

(Continued)

**OTHER PUBLICATIONS**

Changing a Bongo or Conga Head, posted at jaced.com, earliest date reviewed Apr. 18, 2009, [online], acquired on Jul. 13, 2016. Available from Internet, <URL: <http://jaced.com/2005/06/24/changing-a-bongo-or-conga-head/>>.\*

(Continued)

*Primary Examiner* — Cathron Brooks  
*Assistant Examiner* — Aula Soroush  
(74) *Attorney, Agent, or Firm* — Cantor Colburn LLP

(57) **CLAIM**

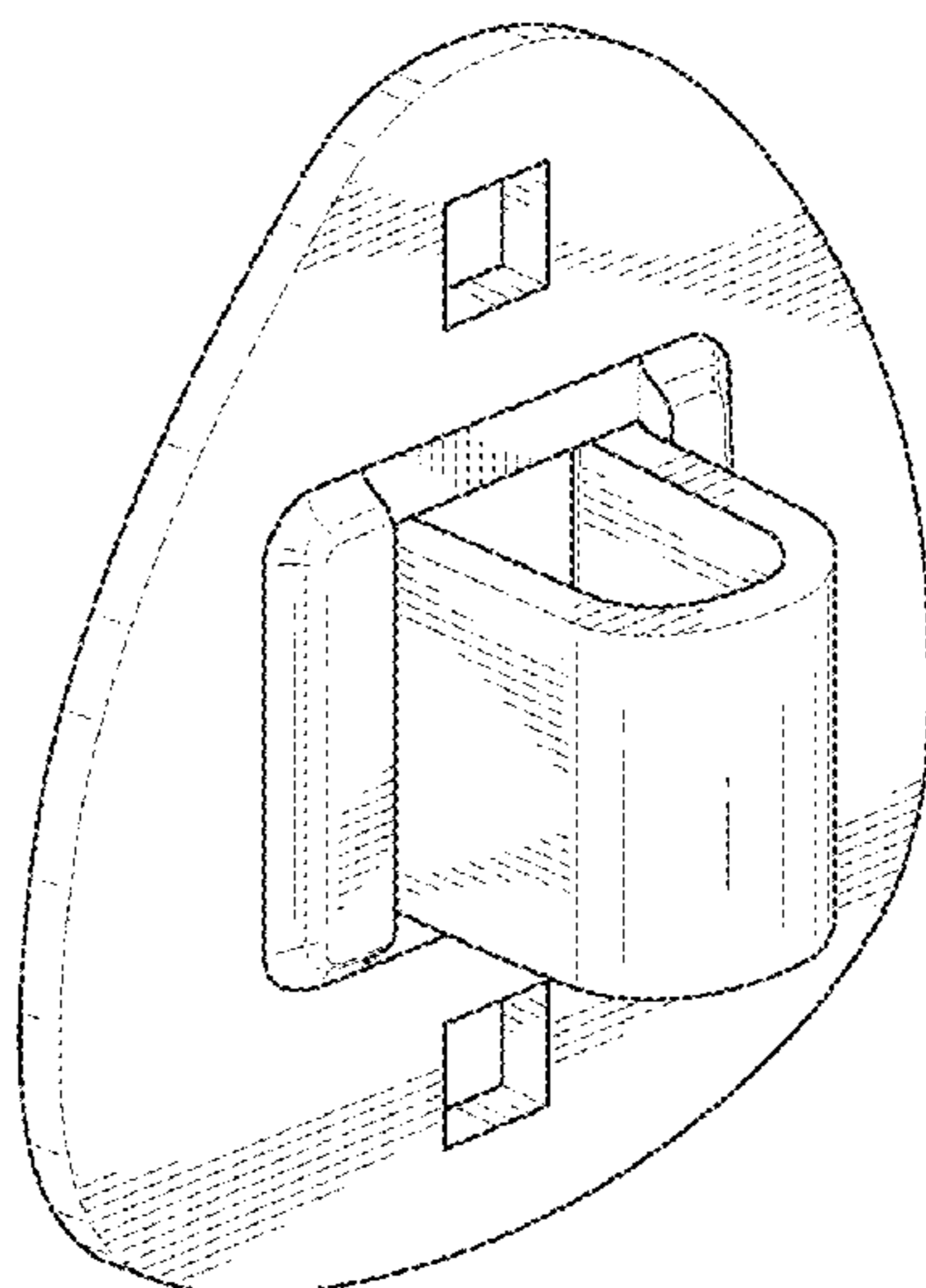
We claim, the ornamental design for a side plate, as shown and described.

**DESCRIPTION**

FIG. 1 is a perspective view of a side plate showing my new design;  
FIG. 2 is a front view thereof;  
FIG. 3 is a back view thereof;  
FIG. 4 is a side view thereof;  
FIG. 5 is another side view thereof;  
FIG. 6 is a top plan view thereof;  
FIG. 7 is a bottom plan view thereof;  
FIG. 8 is an exploded back perspective view thereof;  
FIG. 9 is an exploded front perspective view thereof; and,  
FIG. 10 is a perspective view thereof in a conga drum environment.  
The broken lines are for environmental purpose only form no part of the claimed design.

**1 Claim, 8 Drawing Sheets**

- (56) **References Cited**  
U.S. PATENT DOCUMENTS  
3,956,959 A \* 5/1976 Ebihara ..... G10D 13/08 84/725  
5,335,575 A \* 8/1994 Hoshino ..... F16M 11/00 248/436  
5,337,645 A \* 8/1994 Johnston ..... G10D 13/026 84/421  
5,998,717 A \* 12/1999 Chen ..... G10D 13/026 84/104



(56)

**References Cited**

U.S. PATENT DOCUMENTS

2011/0041670 A1\* 2/2011 Ferguson ..... G10D 13/02  
84/415

OTHER PUBLICATIONS

Conga Hardware, posted at [rhythmhousedrums.com](http://www.rhythmhousedrums.com), earliest date reviewed Nov. 4, 2014, [online], acquired on Jul. 13, 2016. Available from Internet, <URL: <http://www.rhythmhousedrums.com/shop/conga-hardware>>.\*

Manufacturing Steps, posted at [volcanopercussion.com](http://www.volcanopercussion.com), earliest date reviewed Mar. 6, 2009, [online], acquired on Jul. 13, 2016. Available from Internet, <URL: [http://www.volcanopercussion.com/Manufacturing\\_Steps.php](http://www.volcanopercussion.com/Manufacturing_Steps.php)>.\*

\* cited by examiner

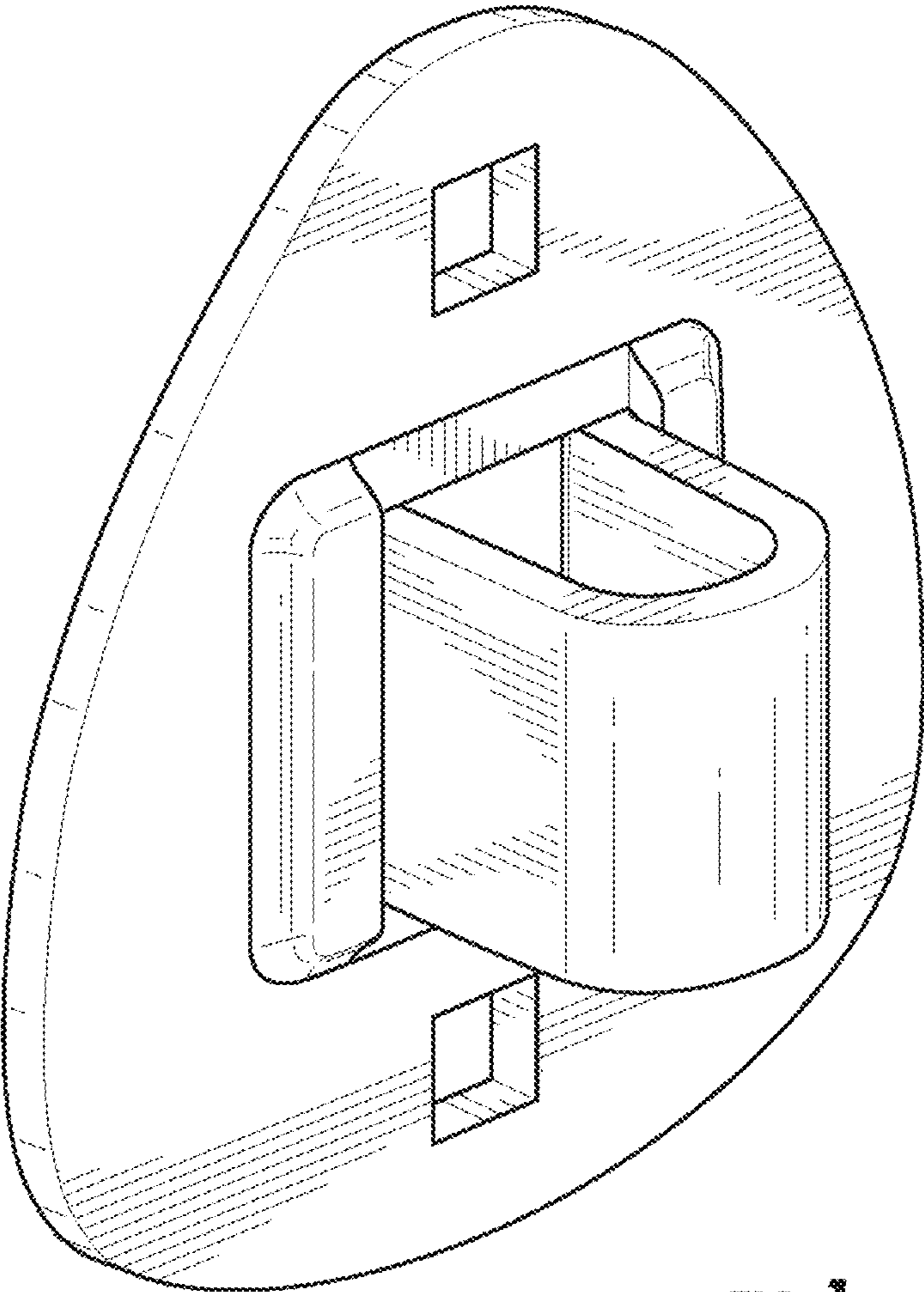
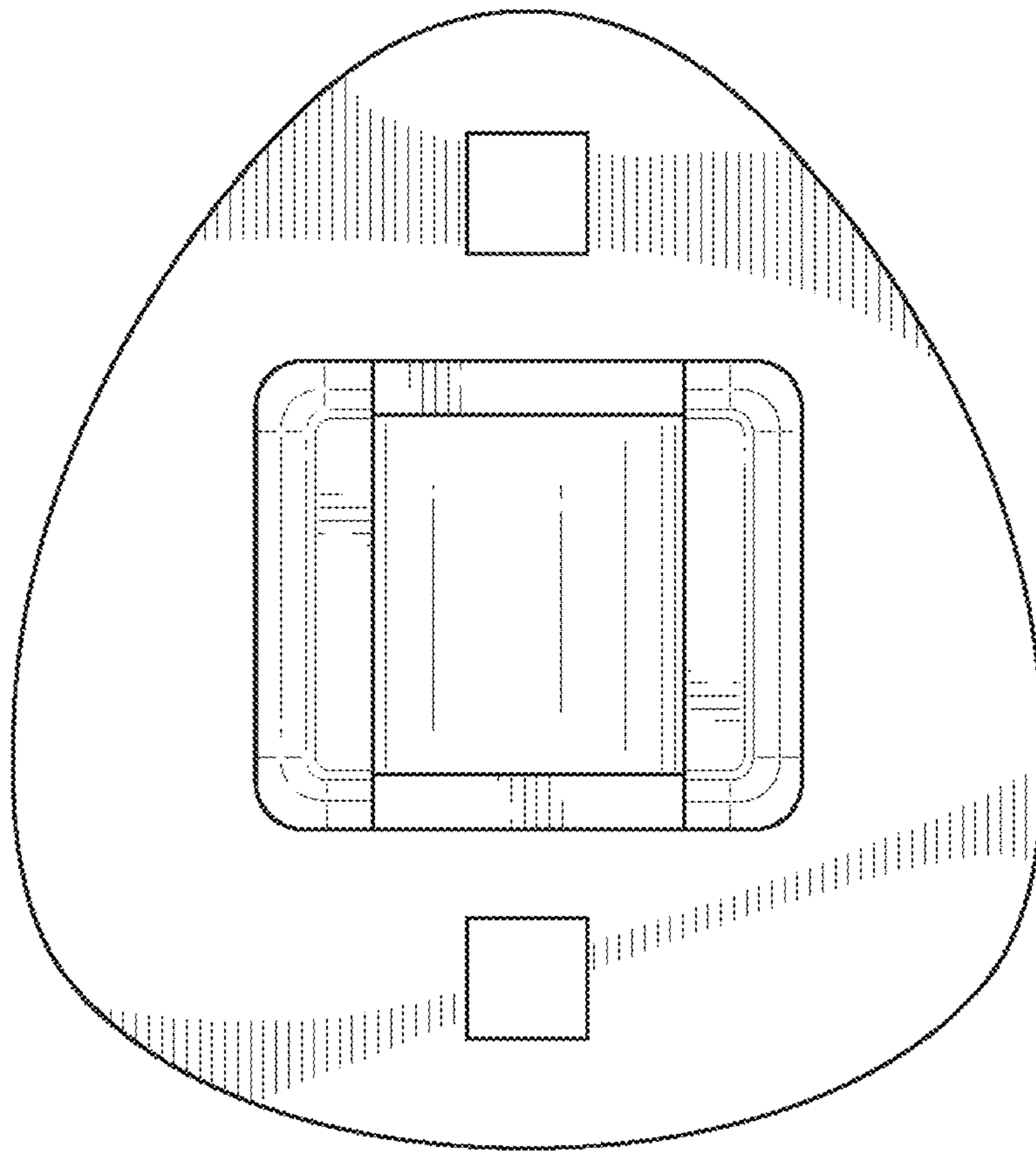
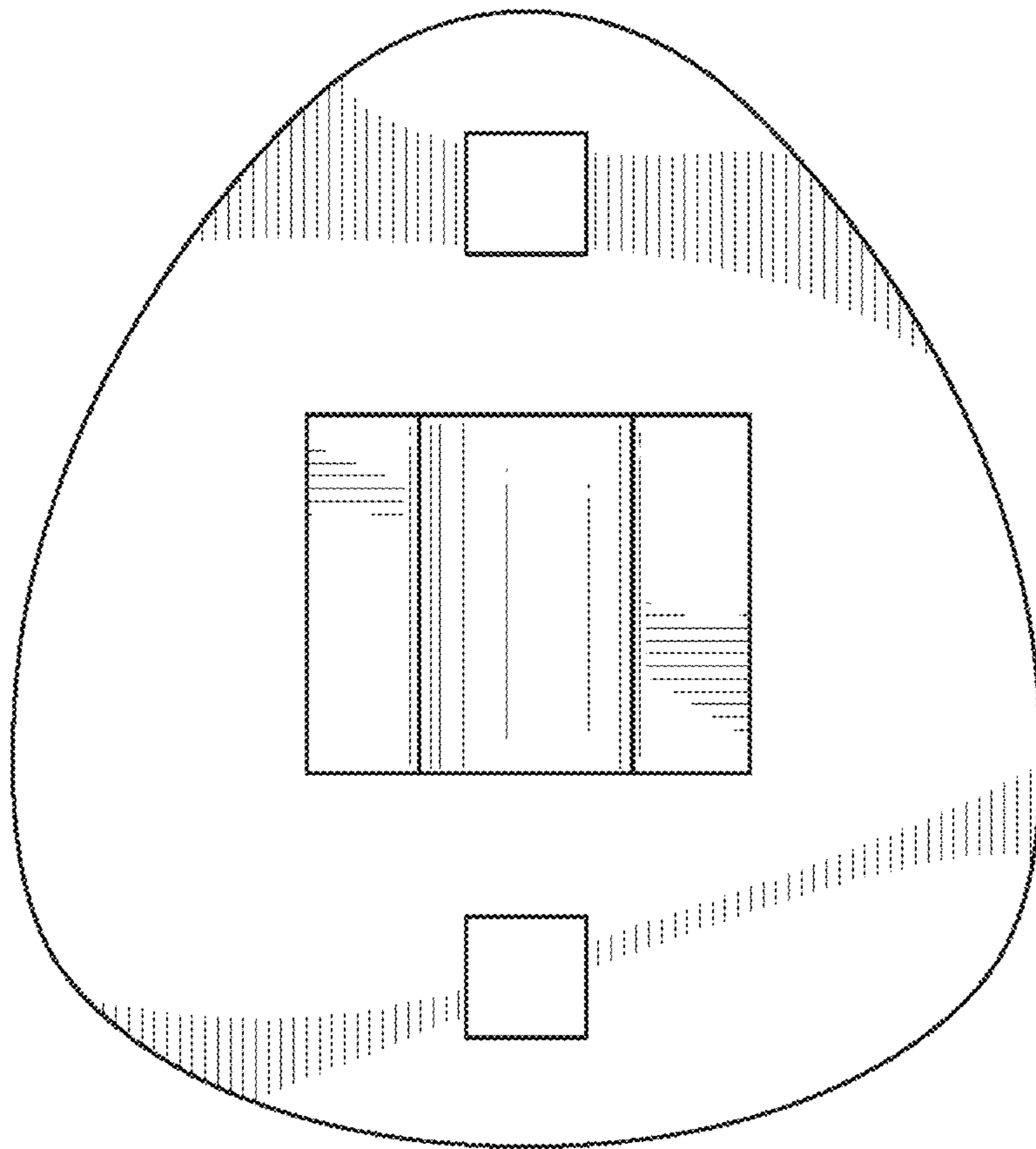


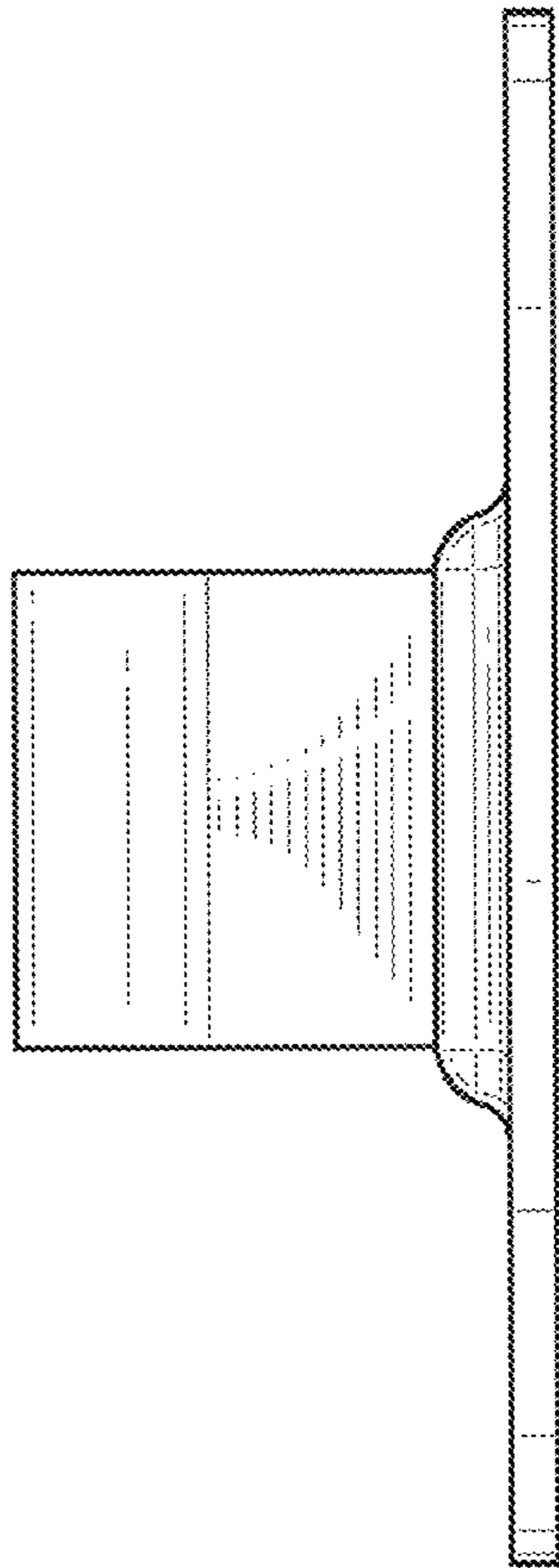
FIG. 1



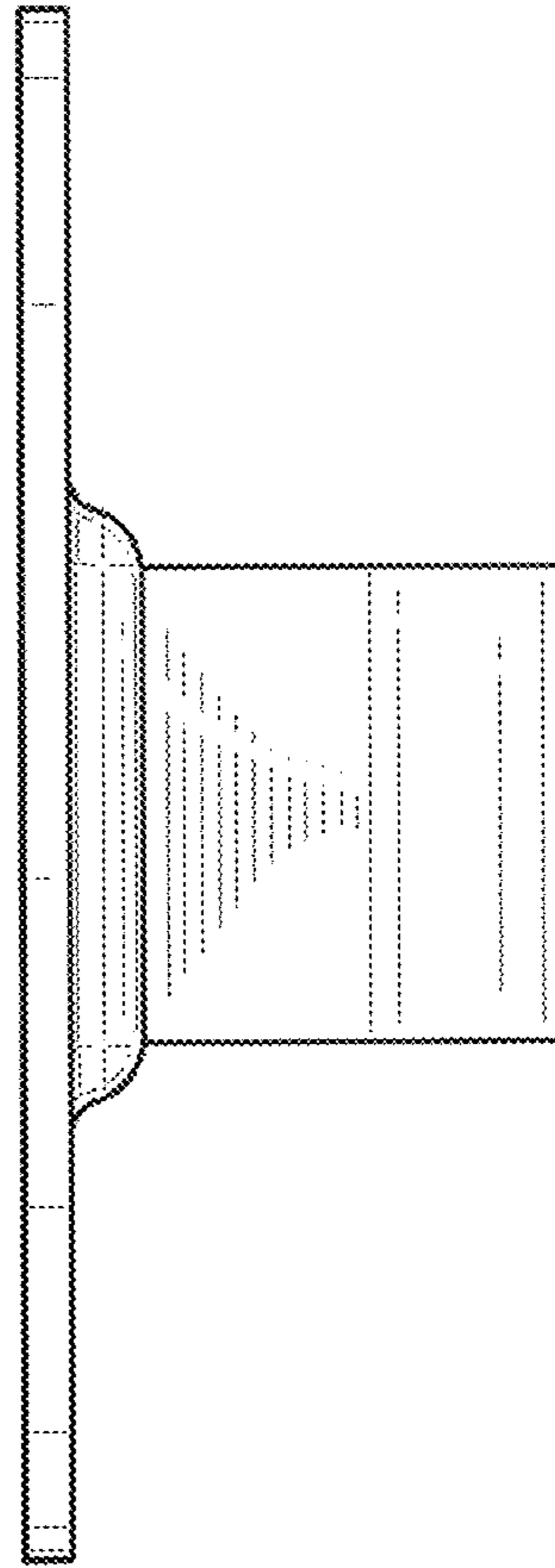
**FIG. 2**



**FIG. 3**



**FIG. 4**



**FIG. 5**



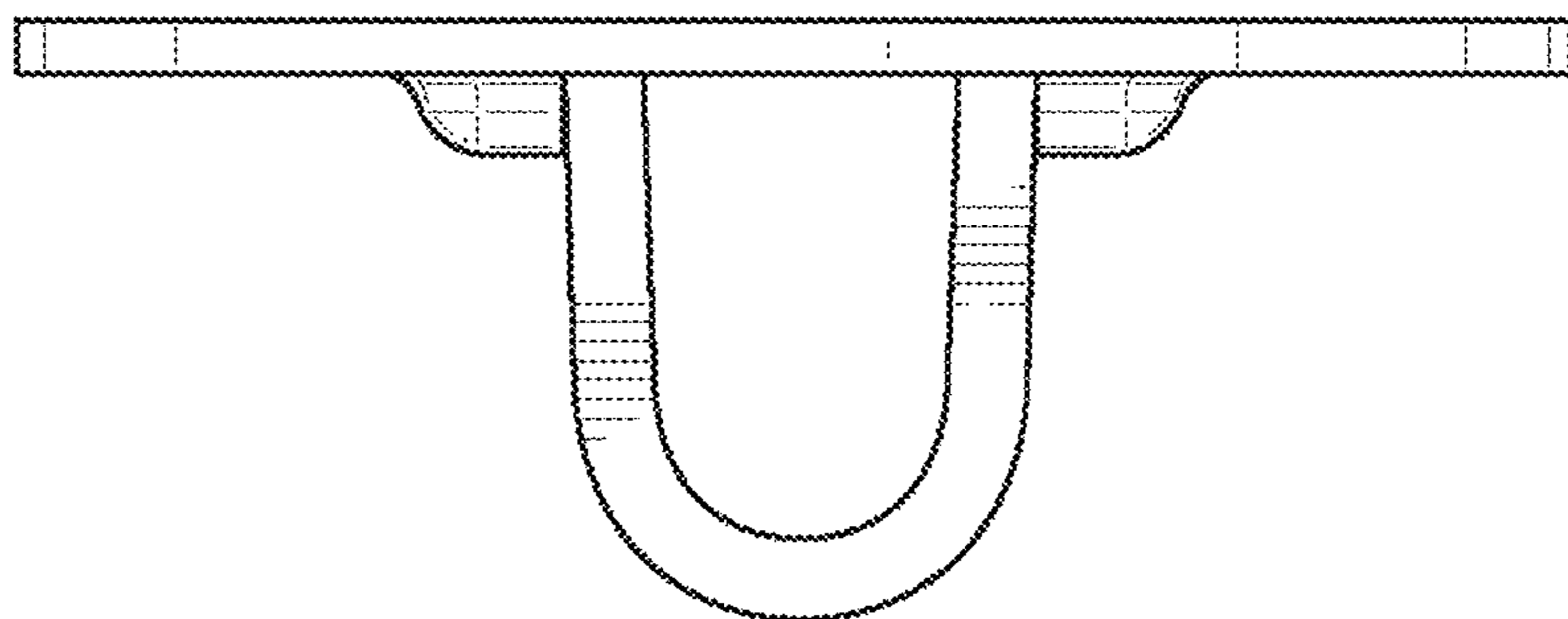


FIG. 6

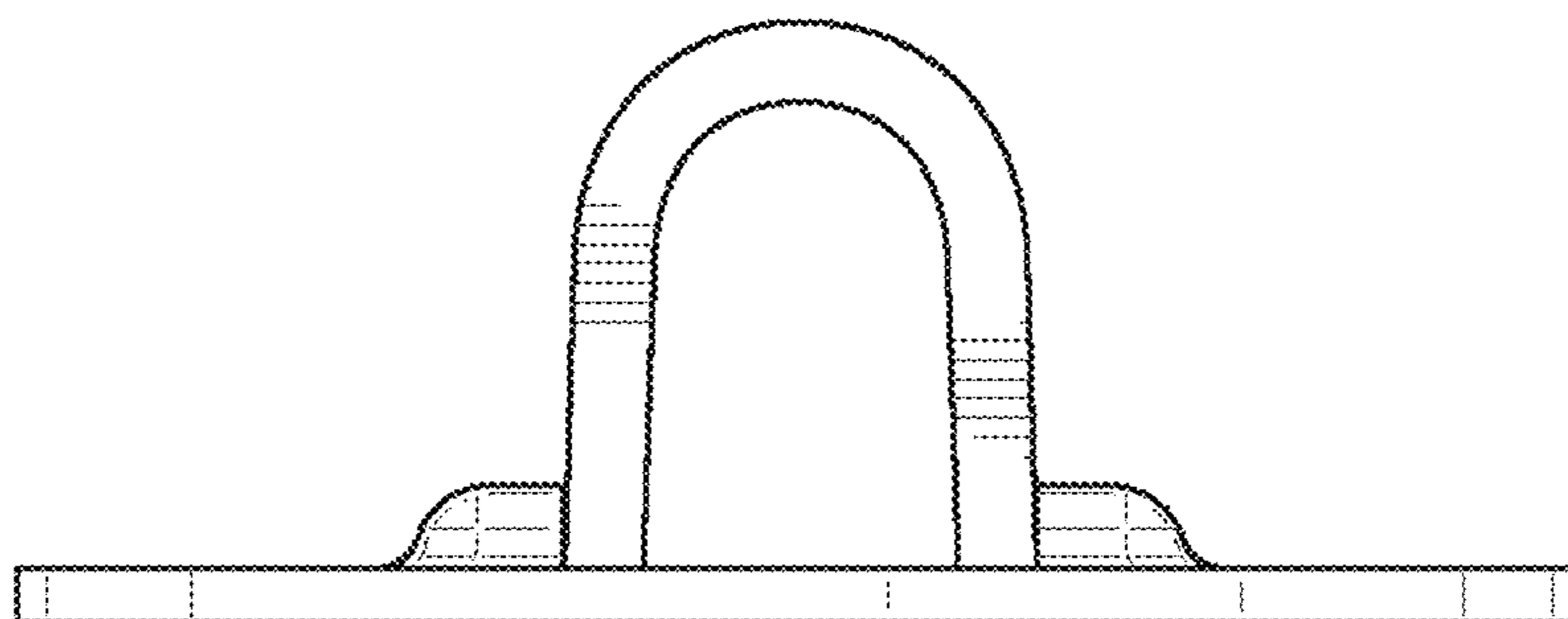


FIG. 7

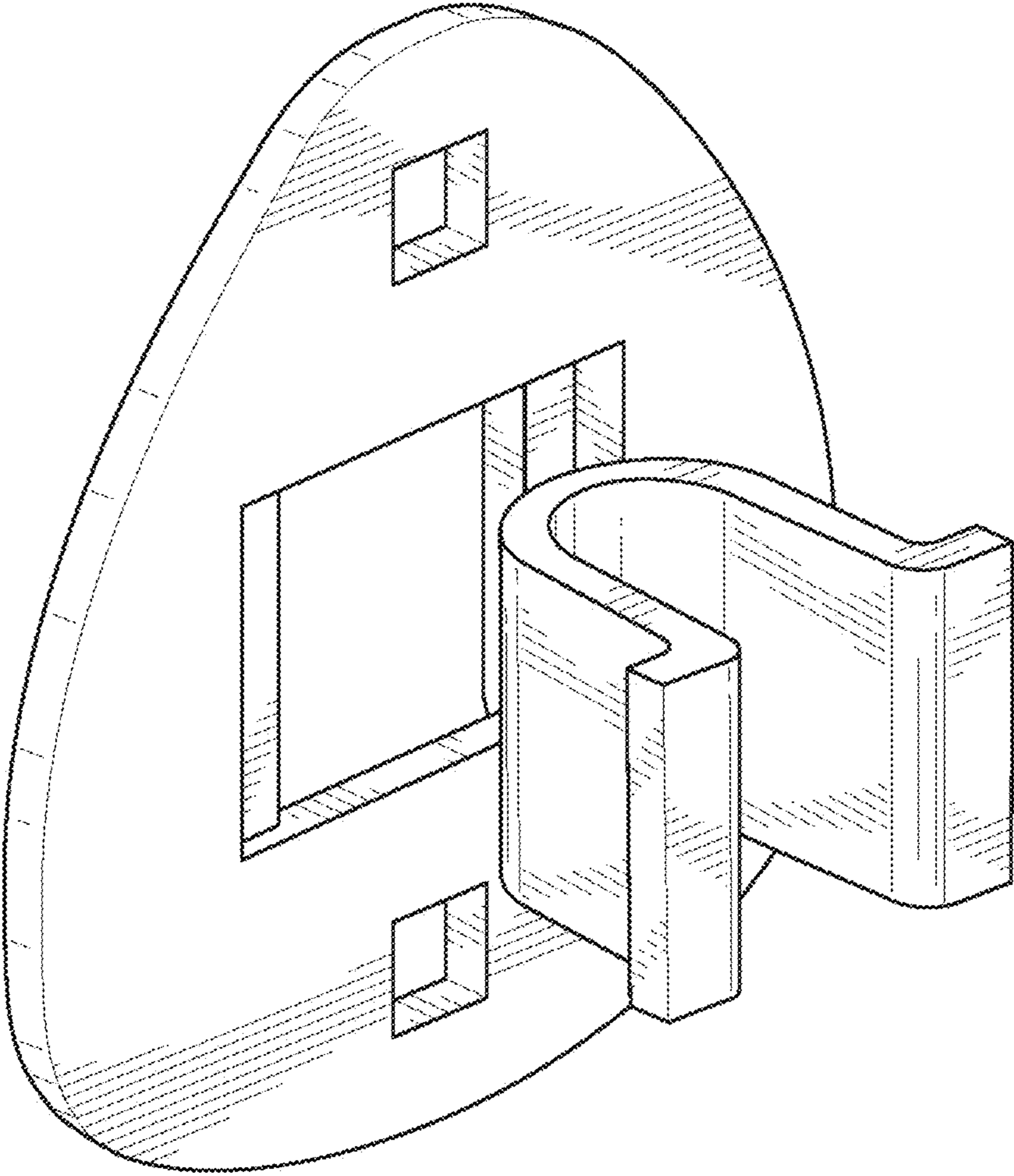


FIG. 8



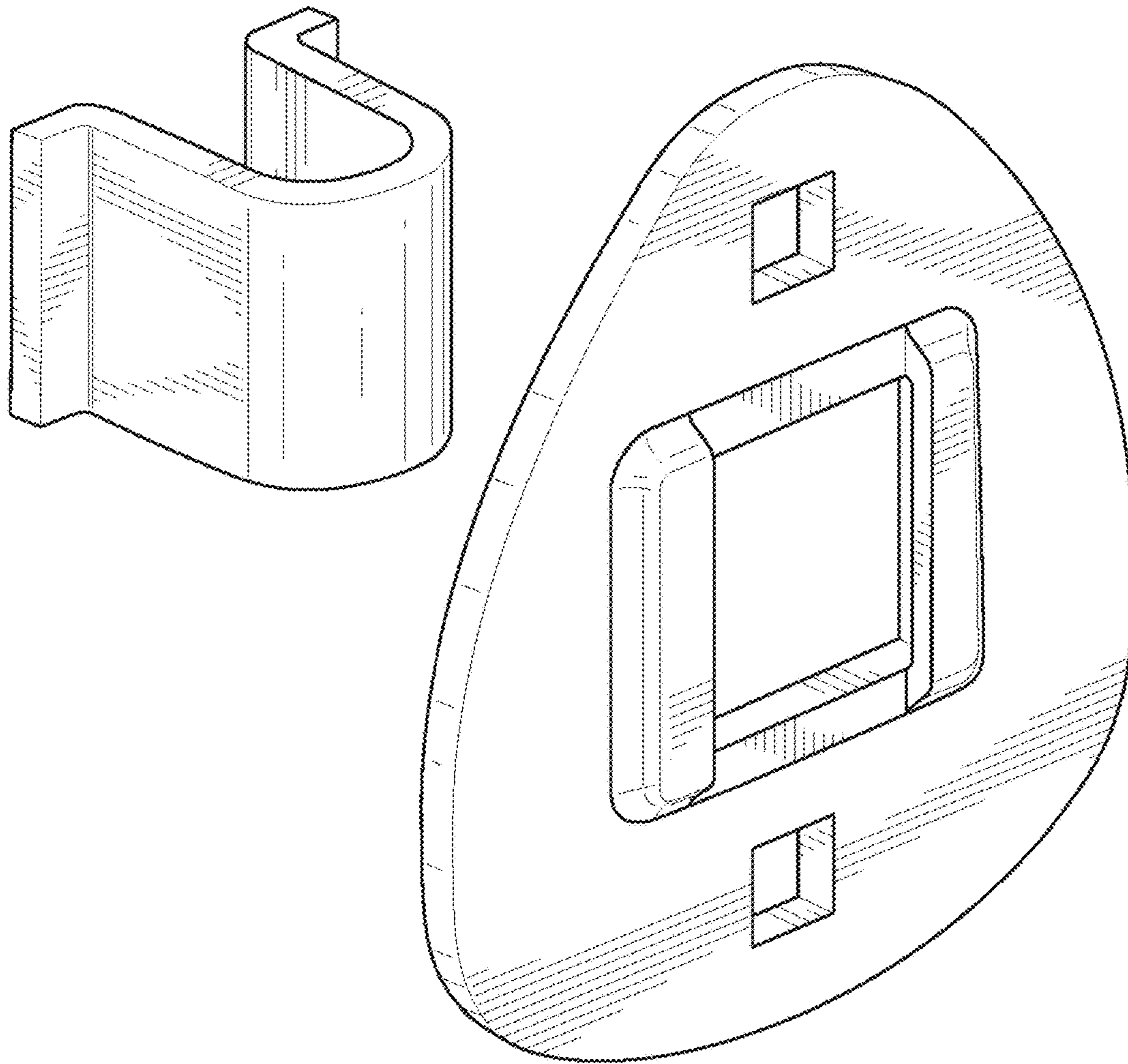


FIG. 9

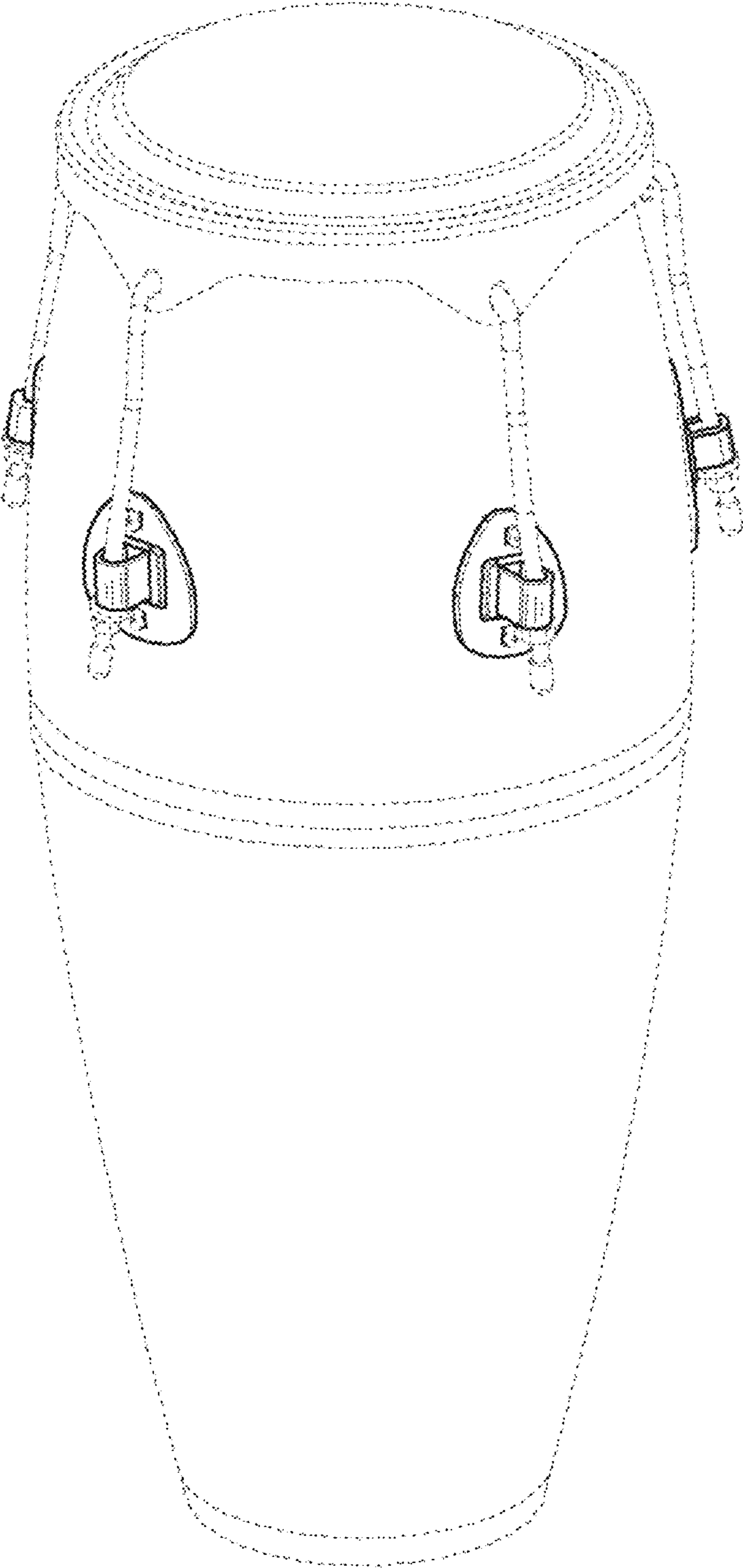


FIG. 10