



US00D780835S

(12) **United States Design Patent** (10) **Patent No.:** **US D780,835 S**
Drushal et al. (45) **Date of Patent:** **** Mar. 7, 2017**

- (54) **PERCUSSION INSTRUMENT**
- (71) Applicant: **Pitch Slap Percussion LLC**, Boynton Beach, FL (US)
- (72) Inventors: **Charles Trevor Drushal**, North Palm Beach, FL (US); **Jeffrey C. Poppe**, Lake Worth, FL (US)
- (73) Assignee: **Pitch Slap Percussion LLC.**, Boynton Beach, FL (US)
- (**) Term: **15 Years**
- (21) Appl. No.: **29/534,528**
- (22) Filed: **Jul. 29, 2015**

D735,265 S * 7/2015 Pires D17/22
 D737,365 S * 8/2015 Drushal D17/22
 2008/0034944 A1 2/2008 Aspland 84/415
 (Continued)

FOREIGN PATENT DOCUMENTS

DE 202011001566 U1 7/2011
 DE 102010047488 A1 2/2012
 (Continued)

OTHER PUBLICATIONS

Pitch Slap Percussion, Three Way Birch, Publication Date Unknown, [Site visited Mar. 22, 2016], Available on the Internet URL:<https://pitchslappercession.com/three-chamber-cajon-drums?product_id=52>.*

(Continued)

Related U.S. Application Data

- (63) Continuation-in-part of application No. 29/444,399, filed on Jan. 30, 2013, now Pat. No. Des. 737,365.
- (51) **LOC (10) Cl.** **17-03**
- (52) **U.S. Cl.**
USPC **D17/20**
- (58) **Field of Classification Search**
USPC D17/20-24, 99; 84/411 R, 414-417, 421, 84/422.1, 725
CPC G10D 13/02; G10H 3/14
See application file for complete search history.

Primary Examiner — Susan Bennett Hattan
Assistant Examiner — S. Bryan Reinholdt, Jr.
 (74) *Attorney, Agent, or Firm* — Fleit Gibbons Gutman Bongini Bianco PL; Jon A. Gibbons

(57) **CLAIM**

The ornamental design for a percussion instrument, as shown and described.

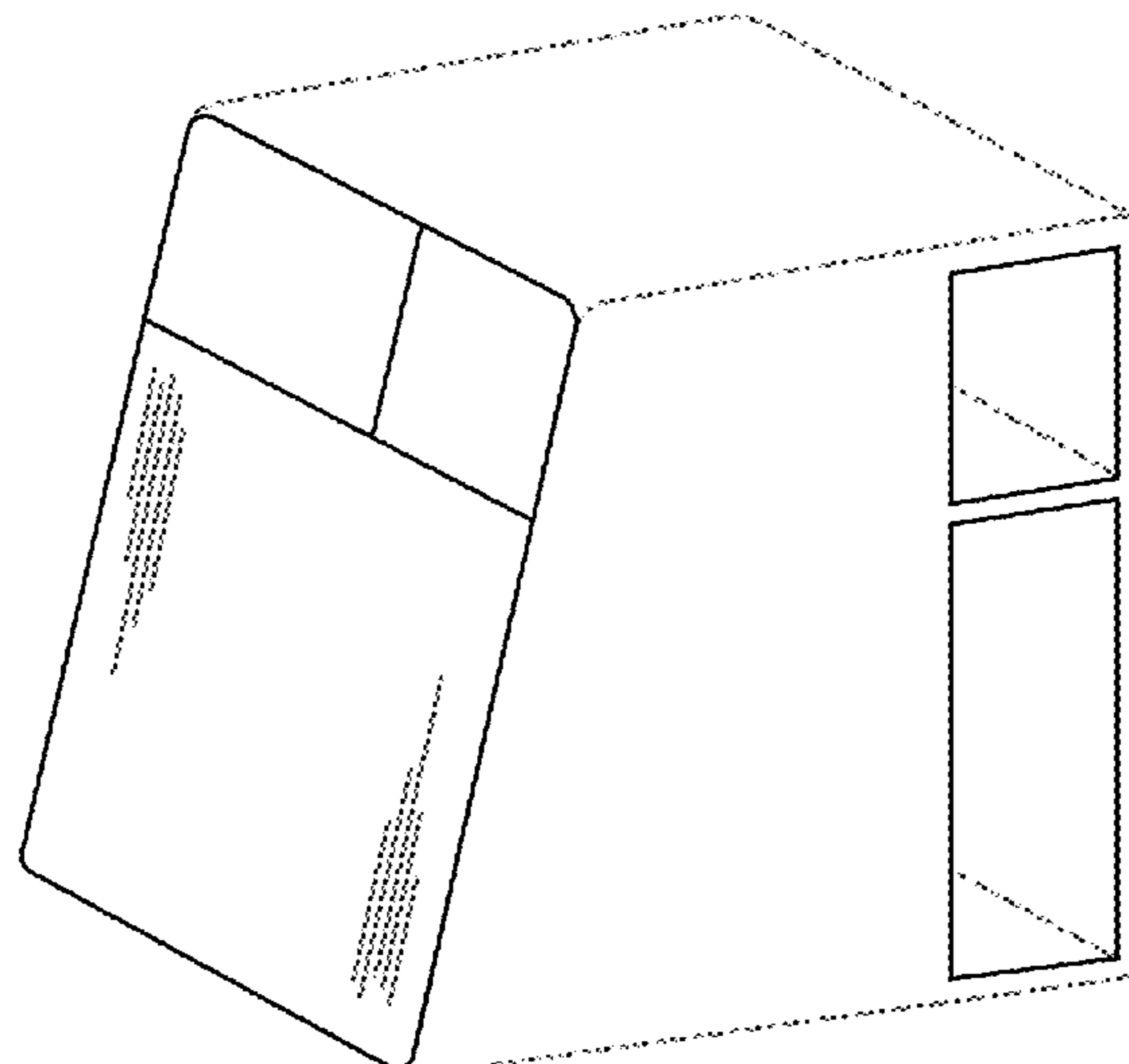
DESCRIPTION

FIG. 1 is a front perspective view of a percussion instrument;
 FIG. 2 is a front view thereof;
 FIG. 3 is a back side view thereof;
 FIG. 4 is a top view thereof;
 FIG. 5 is a bottom view thereof;
 FIG. 6 is a first side view thereof; and,
 FIG. 7 is a second side view thereof.
 The broken lines in the figures are included for the purpose of illustrating a portion of the percussion instrument that forms no part of the claimed design.

1 Claim, 4 Drawing Sheets

(56) **References Cited**
U.S. PATENT DOCUMENTS

3,263,551 A 8/1966 Musser 84/484
 5,385,075 A * 1/1995 Carnes G10D 13/02
 84/411 R
 D366,996 S 2/1996 Torres D8/29
 7,161,078 B2 1/2007 Becker-Ehmck
 7,692,083 B2 4/2010 Aspland
 8,263,848 B2 9/2012 Aspland 84/415
 8,487,170 B2 7/2013 Klein 84/411 R
 8,829,321 B2 9/2014 Klein



(56)

References Cited

U.S. PATENT DOCUMENTS

2010/0031802 A1 2/2010 Millender et al. 84/411 R
 2010/0050852 A1 3/2010 Aspland 84/415
 2011/0296973 A1* 12/2011 Herrera G10D 13/02
 84/411 R
 2012/0000342 A1 1/2012 Klein 84/415
 2013/0068083 A1 3/2013 Eduardo 84/411 R
 2013/0180382 A1 7/2013 Buchner 84/411 R
 2013/0269502 A1 10/2013 Boulet 84/421
 2014/0000436 A1 1/2014 Klein 84/415
 2014/0041508 A1 2/2014 Trask 84/415
 2014/0373699 A1* 12/2014 Drushal G10D 13/021
 84/411 R

FOREIGN PATENT DOCUMENTS

EP 2450876 A1 5/2012
 ES 1073806 2/2011
 JP 2004012987 A 1/2004 G10D 13/00

JP 2011008040 1/2011
 WO 2011033434 3/2011
 WO WO 2013026502 A2 2/2013
 WO WO2013116317 A1 8/2013

OTHER PUBLICATIONS

Twitter, @RichRedmond. Nov. 27, 2013. [site visited Mar. 22, 2016], Available on the Internet URL:<<https://twitter.com/RichRedmond/status/405572894702727169>>.*
 Twitter, @MattCrowning. Nov. 15, 2012. [site visited Mar. 22, 2016], Available on the Internet URL:<<https://twitter.com/mattcrowning/status/269190475154604033>>.*
 International Search Report & Written Opinion dated Apr. 18, 2013 received for international application No. PCT/US2013/023814.
 International Preliminary Report on Patentability dated Aug. 5, 2014 received for PCT Application No. PCT/US2013/023814.
 Notice of Allowance dated Aug. 3, 2015, received for U.S. Appl. No. 14/375,487.

* cited by examiner

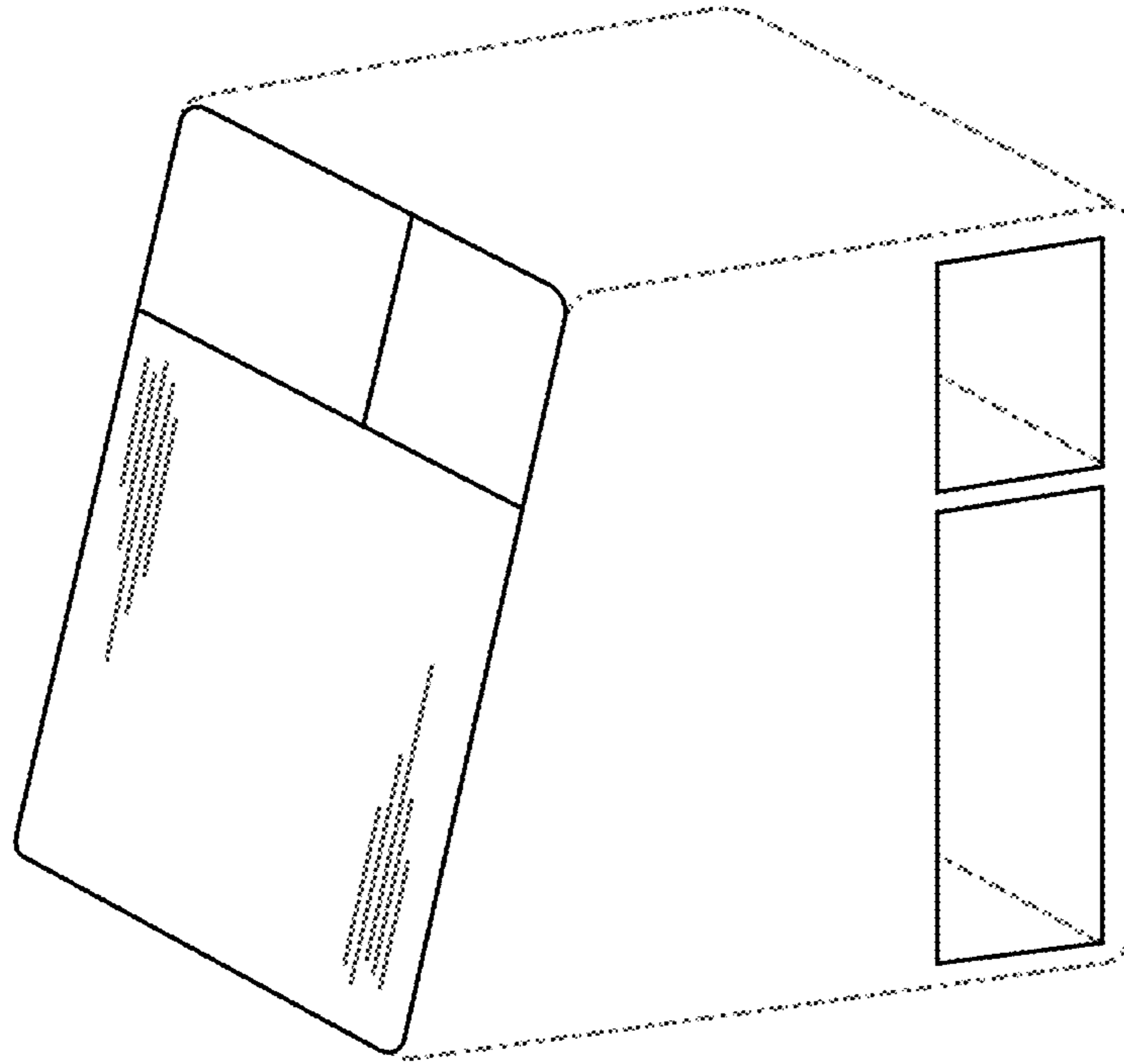


FIG. 1

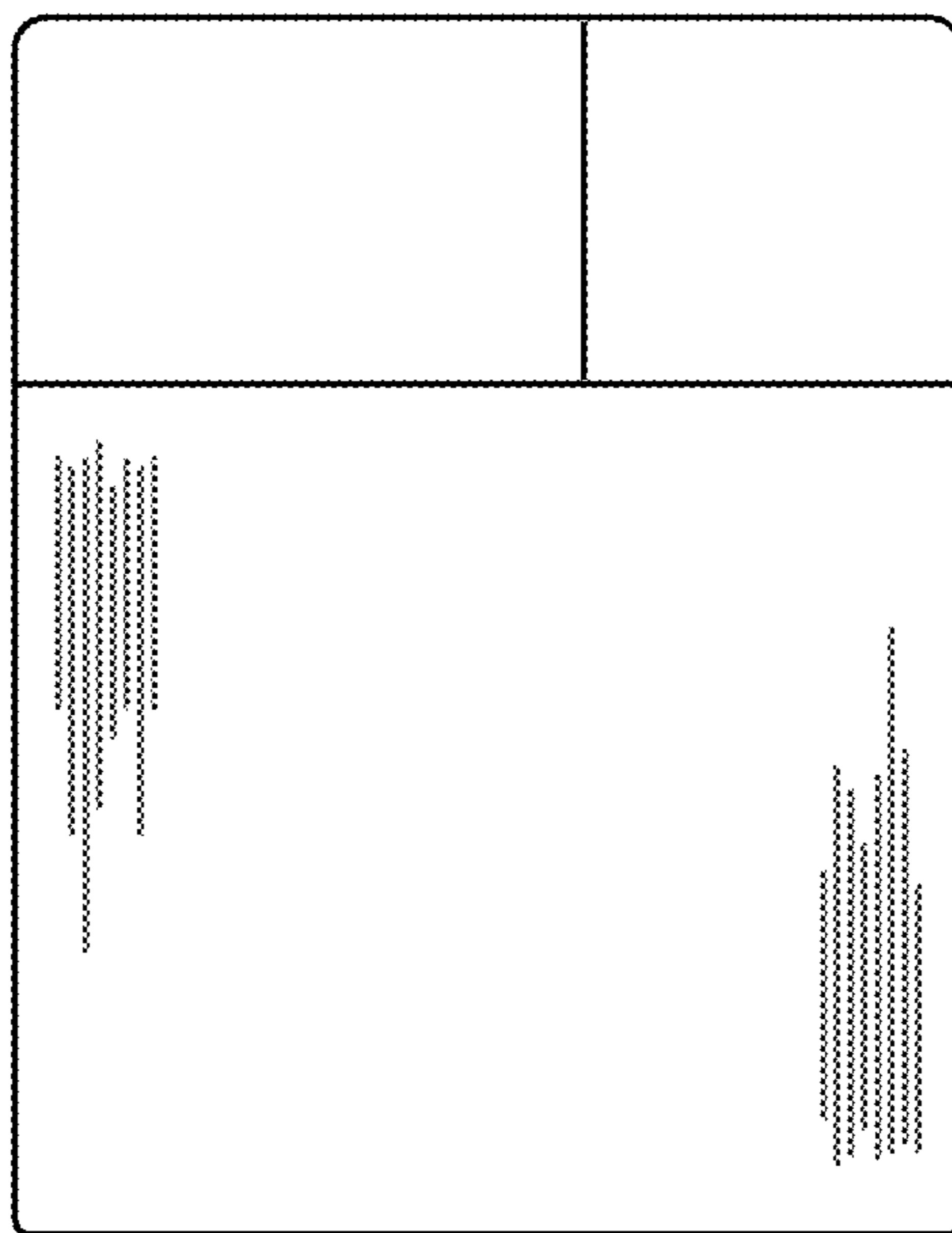


FIG. 2

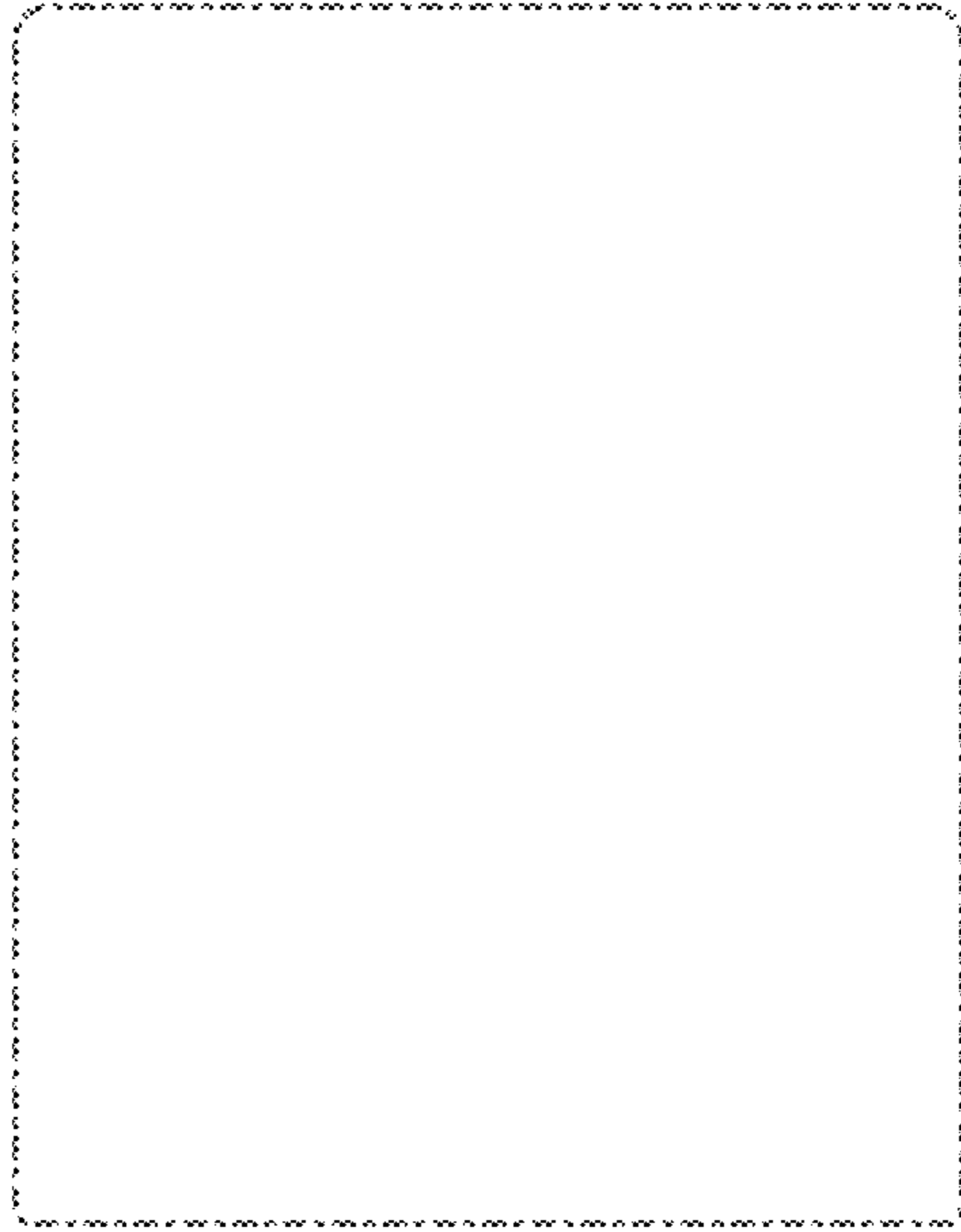


FIG. 3

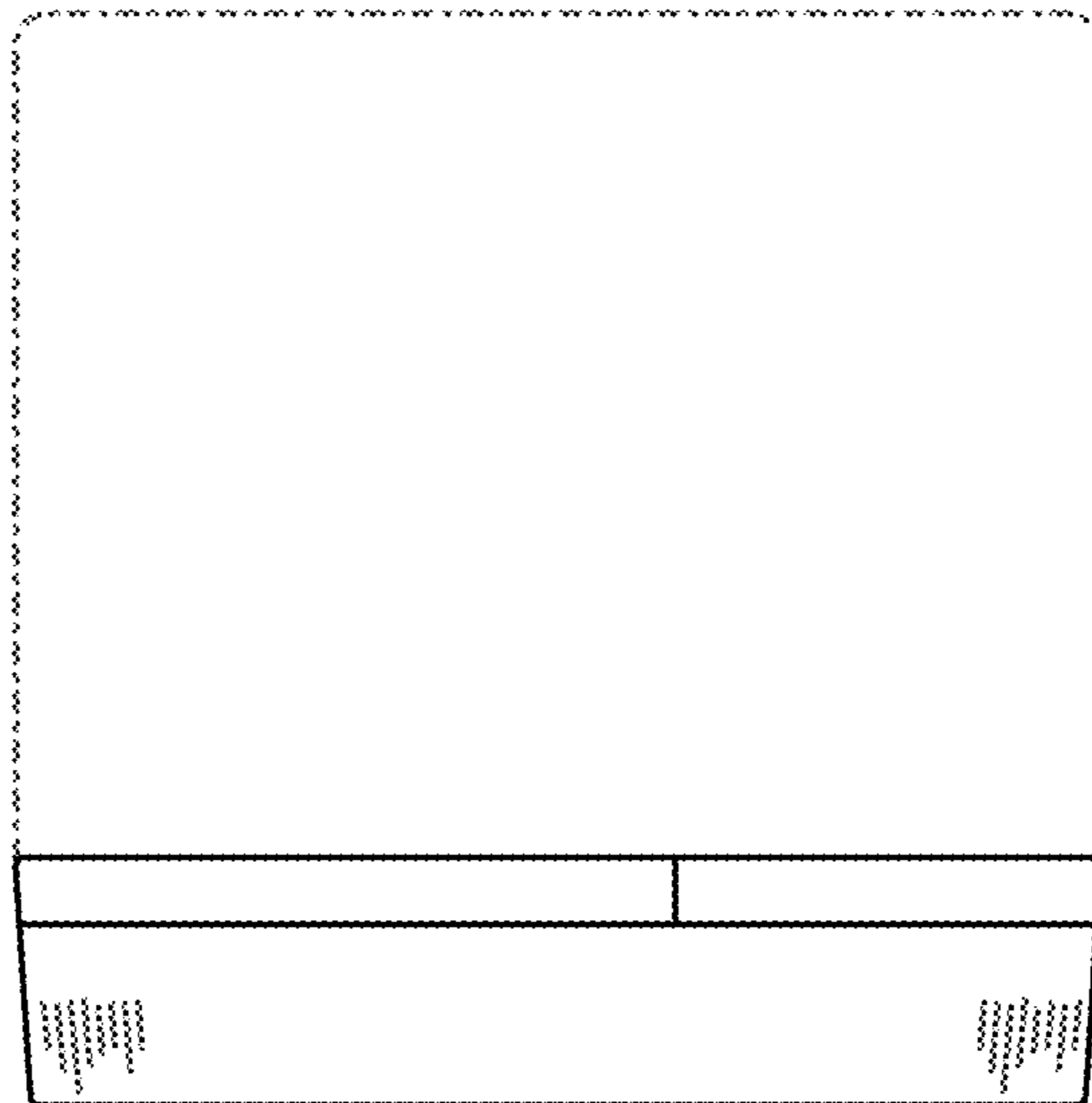


FIG. 4

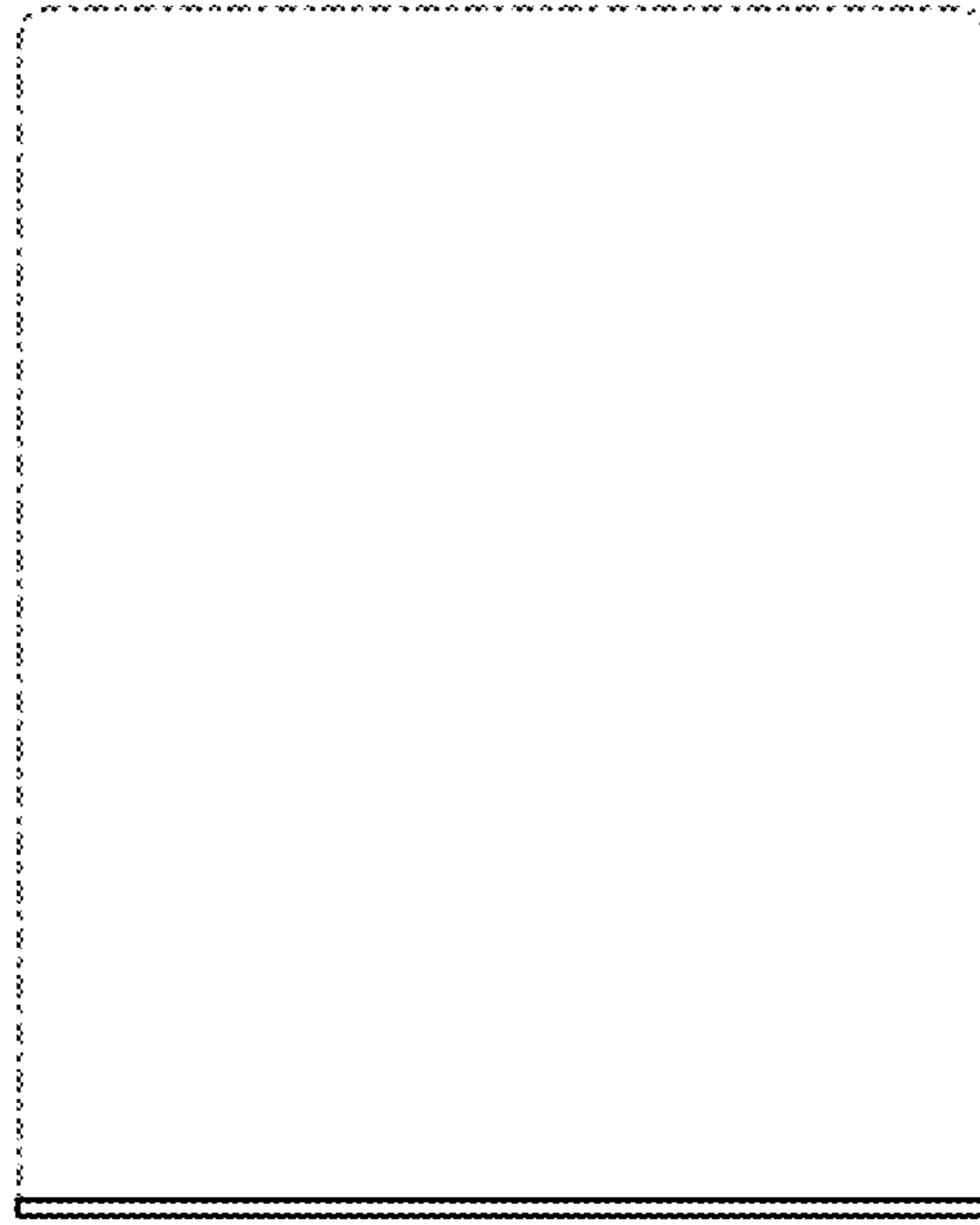


FIG. 5

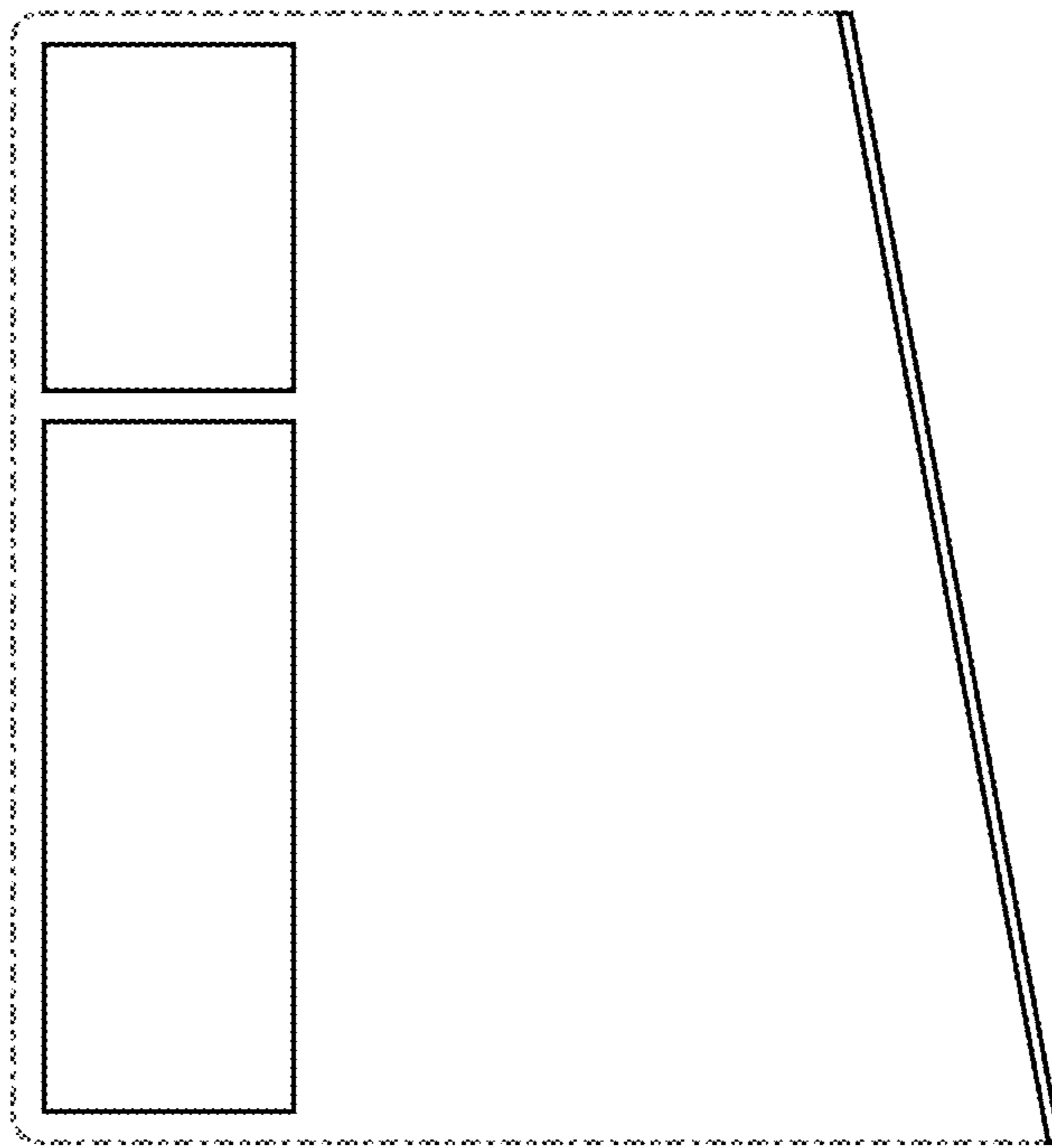


FIG. 6

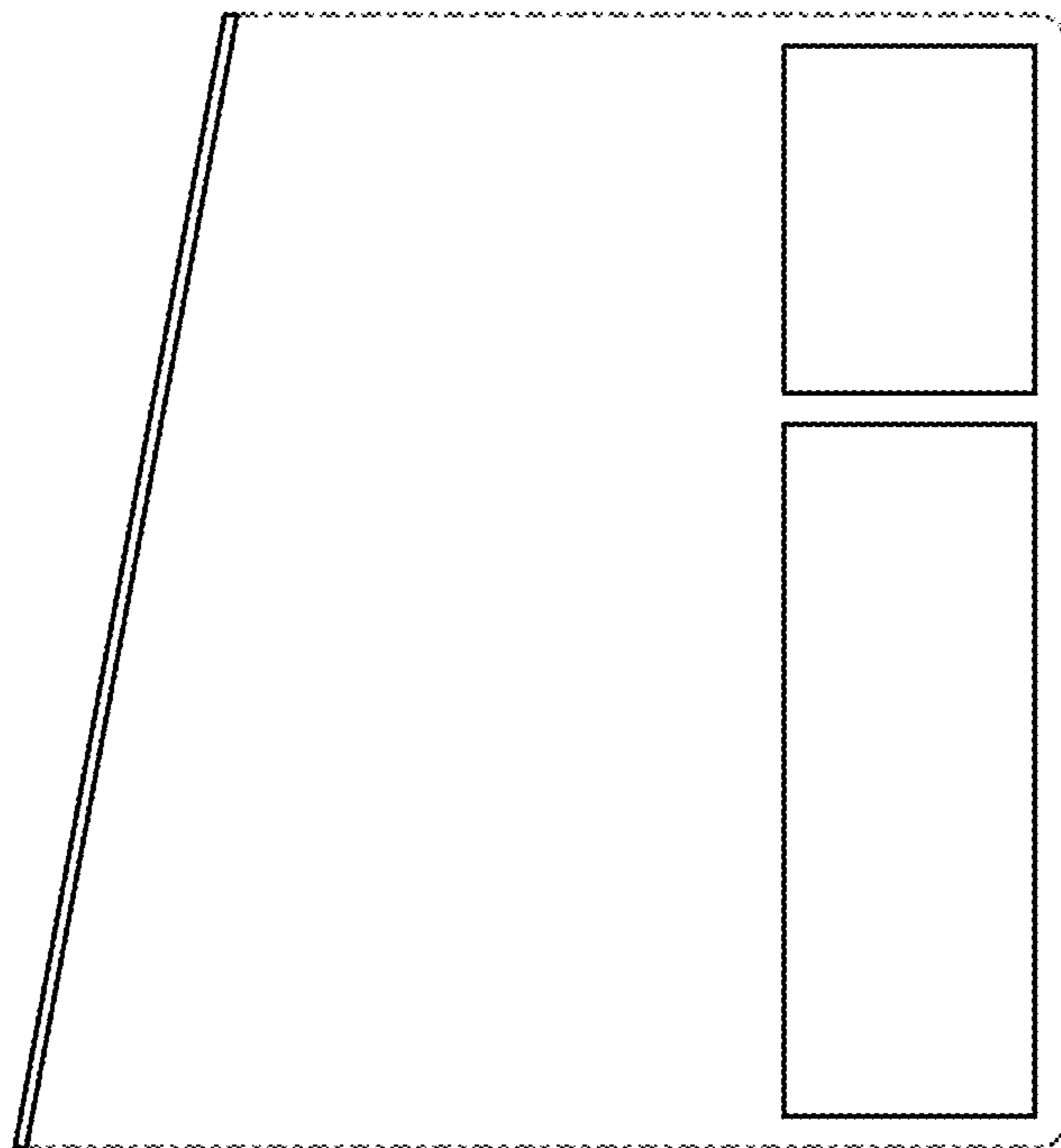


FIG. 7