



US00D780832S

(12) **United States Design Patent**
Harrsch

(10) **Patent No.:** **US D780,832 S**
(45) **Date of Patent:** **** Mar. 7, 2017**

- (54) **LED CELLO**
- (71) Applicant: **Erika Harrsch**, Long Island City, NY (US)
- (72) Inventor: **Erika Harrsch**, Long Island City, NY (US)
- (**) Term: **14 Years**
- (21) Appl. No.: **29/489,192**
- (22) Filed: **Apr. 28, 2014**
- (51) **LOC (10) Cl.** **17-03**
- (52) **U.S. Cl.**
USPC **D17/14**
- (58) **Field of Classification Search**
USPC D17/14, 17-21, 99
See application file for complete search history.

- 5,058,479 A * 10/1991 Shaw G10D 1/08 84/291
- 5,233,896 A * 8/1993 Worthington G10D 3/06 84/293
- D393,868 S 4/1998 Welling
- D395,912 S * 7/1998 Schaub D17/14
- D395,913 S 7/1998 Schaub
- D419,587 S 1/2000 Okamura
- 6,043,422 A * 3/2000 Chapman G10H 1/32 84/723
- D439,601 S 3/2001 Byrne
- D606,582 S 12/2009 Philipp et al.
- D607,486 S 1/2010 Kwak
- D673,601 S * 1/2013 Evans D17/14

FOREIGN PATENT DOCUMENTS

- DE 2614714 A1 * 10/1977 G10D 1/02
- DE 102004053105 A1 * 5/2006 G10D 1/08

* cited by examiner

Primary Examiner — Cynthia Underwood
(74) *Attorney, Agent, or Firm* — Wilmer Cutler Pickering Hale and Dorr LLP

(56) **References Cited**

U.S. PATENT DOCUMENTS

- D17,888 S 11/1887 Darbyshire
- 469,331 A * 2/1892 Kurth G10D 1/085 84/282
- D26,423 S 12/1896 Livermore
- D32,088 S 1/1900 Kitchen
- D35,095 S 9/1901 Frederick
- D62,106 S 3/1923 Kozelek
- D85,731 S 12/1931 Chase
- D92,900 S 7/1934 Grosjean
- D102,065 S 11/1936 Randall et al.
- D155,881 S 11/1949 Evers
- D175,328 S * 8/1955 Van Pelt D17/17
- D256,369 S 8/1980 Leach
- D271,400 S 11/1983 Knighten
- D305,546 S * 1/1990 Roberts D17/14
- 4,919,029 A * 4/1990 Excellente G10D 3/02 84/267

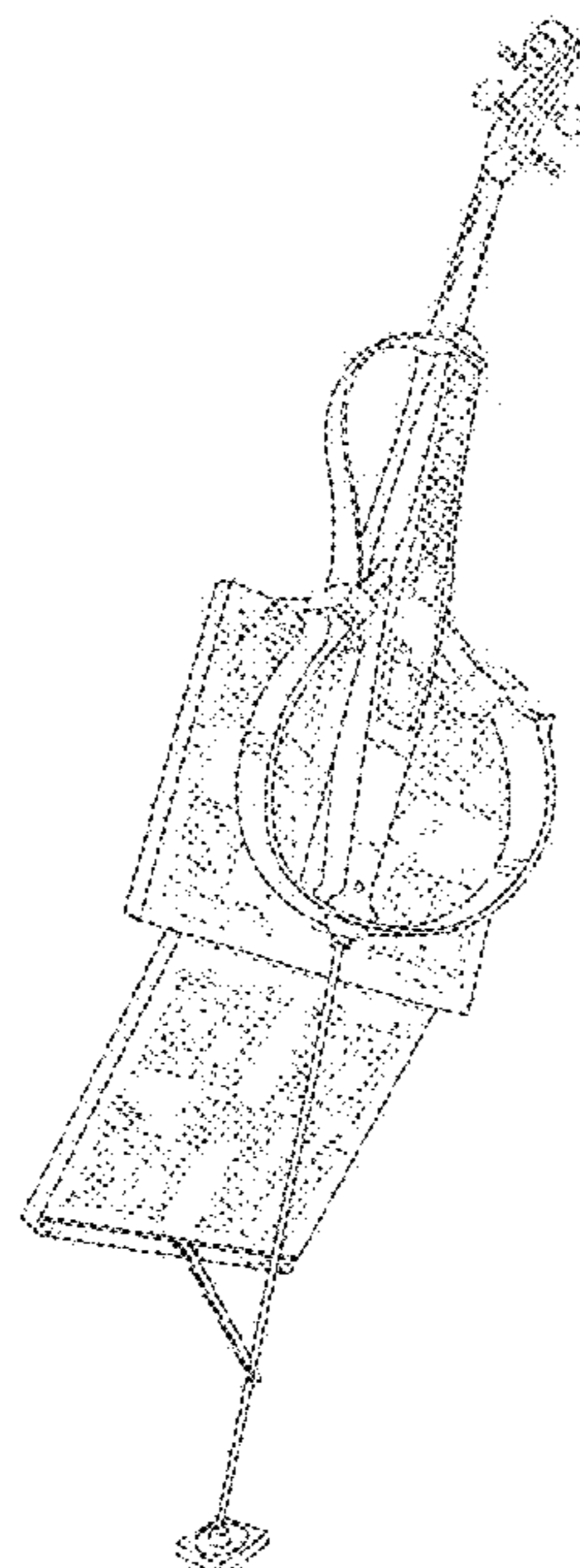
(57) **CLAIM**

The ornamental design for a LED cello, as shown and described.

DESCRIPTION

FIG. 1 is a front view of the LED cello, showing my new design;
FIG. 2 is a back view thereof;
FIG. 3 is a side perspective view thereof;
FIG. 4 is a side view thereof; and,
FIG. 5 is a top enlarged view thereof.
The broken lines represent portions of the structure that forms no part of the claim.

1 Claim, 5 Drawing Sheets



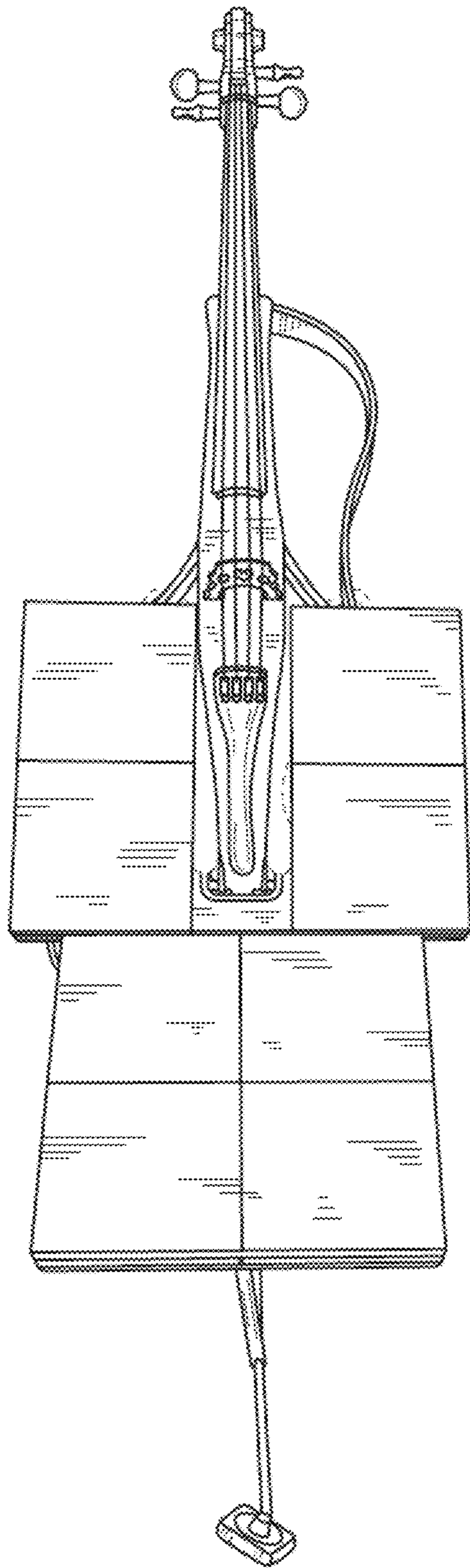


FIG. 1

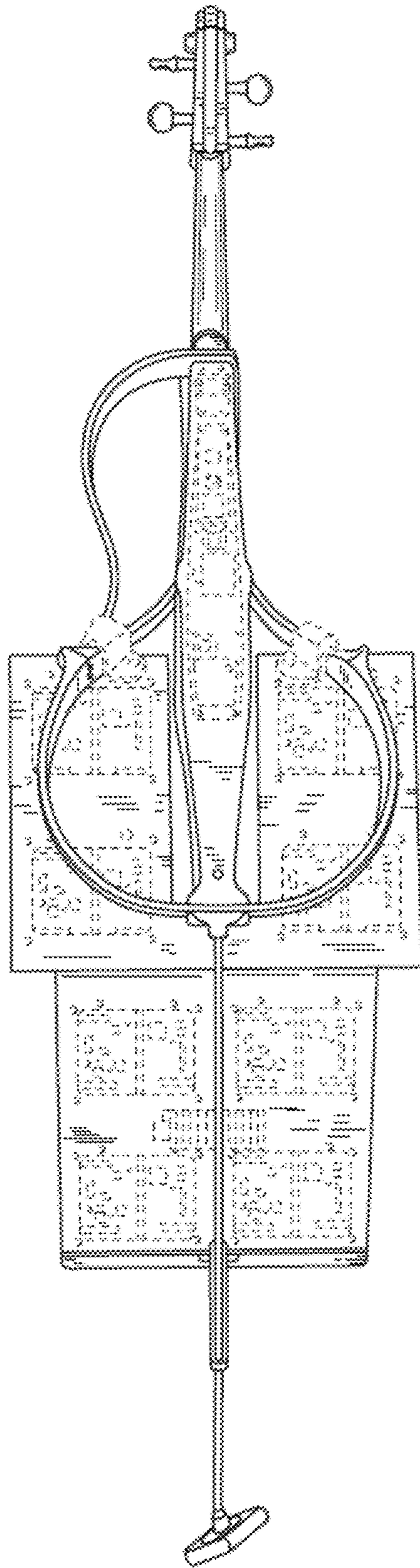


FIG. 2

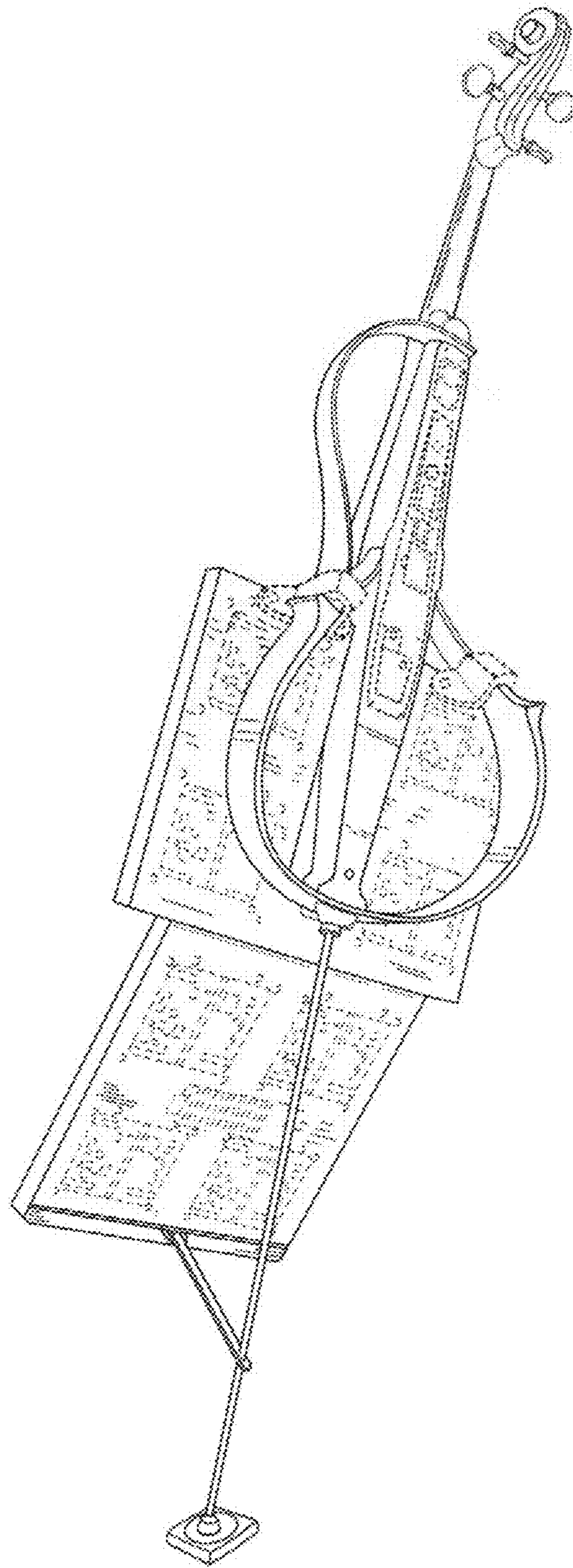


FIG. 3

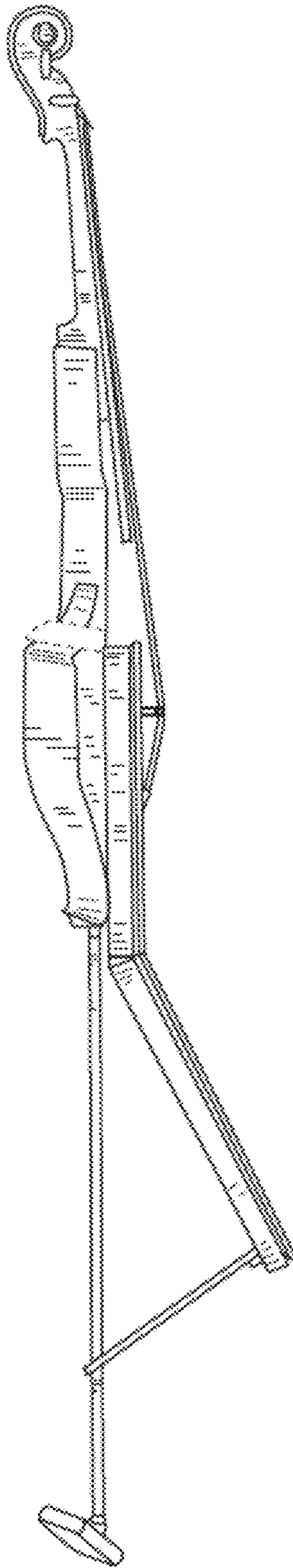


FIG. 4

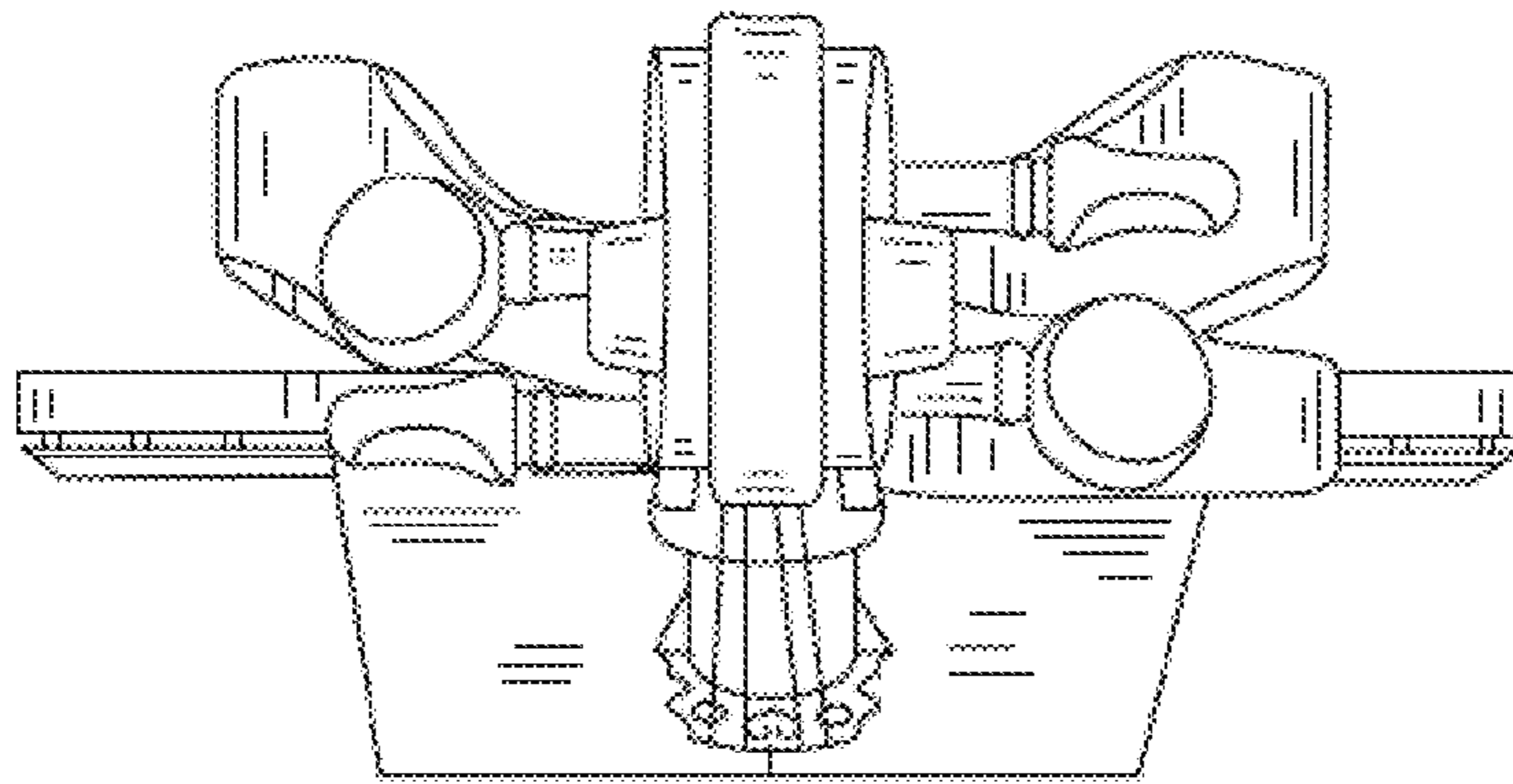


FIG. 5