



US00D780831S

(12) **United States Design Patent**
Tanaka et al.

(10) **Patent No.:** **US D780,831 S**
(45) **Date of Patent:** **** Mar. 7, 2017**

(54) **EYE GLASSES**
(71) Applicant: **JIN CO., LTD.**, Maebashi-Shi (JP)
(72) Inventors: **Hitoshi Tanaka**, Maebashi (JP);
Satoshi Wada, Maebashi (JP)
(73) Assignee: **THE JOHNS HOPKINS**
UNIVERSITY, Baltimore, MD (US)
(**) Term: **14 Years**
(21) Appl. No.: **29/524,855**
(22) Filed: **Apr. 23, 2015**

5,892,564 A * 4/1999 Rahn G02C 11/10
351/158
D458,627 S * 6/2002 Desbiez-Piat D16/330
6,690,807 B1 * 2/2004 Meyer G02C 5/143
2/12
7,422,324 B2 * 9/2008 Lee G02C 11/04
351/158
D602,064 S * 10/2009 Mitsui D14/126
D605,218 S * 12/2009 Meng-Suen D16/309
D607,565 S * 1/2010 McClure D16/309
D611,086 S * 3/2010 Meng-Suen D16/309
D616,487 S * 5/2010 Riley D16/330
D636,009 S * 4/2011 Hunt D16/306
D645,492 S * 9/2011 Zhao D16/309
(Continued)

(30) **Foreign Application Priority Data**

Oct. 29, 2014 (JP) 2014-024198
Oct. 29, 2014 (JP) 2014-024200
Oct. 29, 2014 (JP) 2014-024202

(51) **LOC (10) Cl.** **16-06**
(52) **U.S. Cl.**
USPC **D16/335**

(58) **Field of Classification Search**
USPC D16/101, 300–342, 900; D29/109–110;
D14/372; 351/41, 44, 45–48, 51–52, 62,
351/158, 92, 103–123, 140–153, 63, 59;
2/13, 2/15, 426–432, 447–449, 441,
434–437
CPC G02C 2200/08; G02C 1/06; G02C 5/14;
G02C 11/02; G02C 11/04; G02C
5/16; G02C 2200/22; G02C 5/146; G02C
5/2254; G02C 5/008; G01C 5/16; A61M
2021/0044; A63B 33/002
See application file for complete search history.

(56) **References Cited**

U.S. PATENT DOCUMENTS

D237,903 S * 12/1975 Giannetti D16/336
D389,853 S * 1/1998 Kosakowski D16/330

Primary Examiner — Rosemary K Tarcza
Assistant Examiner — Sanjeev Paul
(74) *Attorney, Agent, or Firm* — Venable LLP; Henry J.
Daley

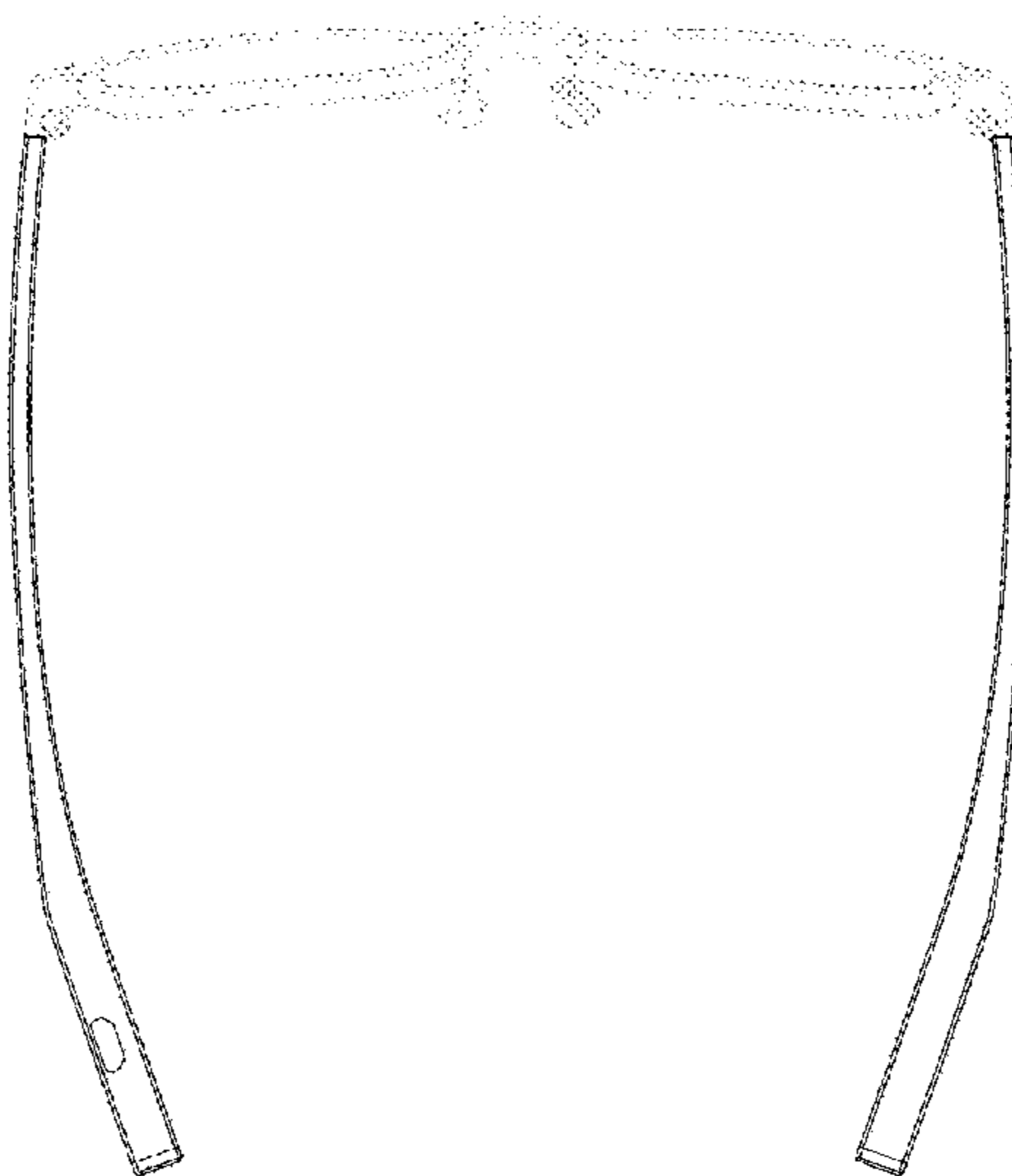
(57) **CLAIM**

We claim the ornamental design for eye glasses, as shown
and described.

DESCRIPTION

FIG. 1 is a bottom view of the eye glasses, according to a
first embodiment of the invention;
FIG. 2 is a front view of the eye glasses, according to FIG.
1;
FIG. 3 is a left view of the eye glasses, according to FIG. 1;
FIG. 4 is a perspective view of the eye glasses, according to
FIG. 1;
FIG. 5 is a rear view of the eye glasses, according to FIG.
1;
FIG. 6 is a right view of the eye glasses, according to FIG.
1; and,
FIG. 7 is a top view of the eye glasses, according to FIG. 1.
The broken lines shown in the drawings are included for the
purpose of illustrating portions of the eye glasses and forms
no part of the claimed design.

1 Claim, 5 Drawing Sheets



(56)

References Cited

U.S. PATENT DOCUMENTS

D645,493 S * 9/2011 Zhao D16/309
 D682,924 S * 5/2013 Cheung D16/334
 D684,622 S * 6/2013 Cho D16/306
 D688,294 S * 8/2013 Roy D16/309
 D694,311 S * 11/2013 Cho D16/309
 8,651,659 B2 * 2/2014 Bertelli G02C 11/02
 351/118
 D712,453 S * 9/2014 Mewha D16/335
 D722,639 S * 2/2015 Ho D16/335
 D741,399 S * 10/2015 Ho D16/335
 D749,670 S * 2/2016 Shin D16/335
 D757,158 S * 5/2016 Fuchs D16/315
 2007/0200998 A1 * 8/2007 Schrimmer G02C 11/04
 351/158
 2008/0165317 A1 * 7/2008 Wilson G02C 11/02
 351/52
 2011/0234973 A1 * 9/2011 Ye G02C 11/00
 351/158

2011/0273662 A1 * 11/2011 Hwang G02B 27/0176
 351/158
 2013/0208235 A1 * 8/2013 Sonsino G02C 7/14
 351/158
 2013/0222758 A1 * 8/2013 He G02C 11/04
 351/158
 2014/0368787 A1 * 12/2014 Gottardi G02C 5/143
 351/158
 2015/0077696 A1 * 3/2015 Tanaka G02C 11/00
 351/62
 2015/0185508 A1 * 7/2015 Mazzola G02C 11/12
 351/44
 2015/0248025 A1 * 9/2015 Carrara G02C 3/003
 351/158
 2016/0025999 A1 * 1/2016 Chen G02C 5/006
 351/63
 2016/0048025 A1 * 2/2016 Cazalet G02B 27/0176
 351/116

* cited by examiner

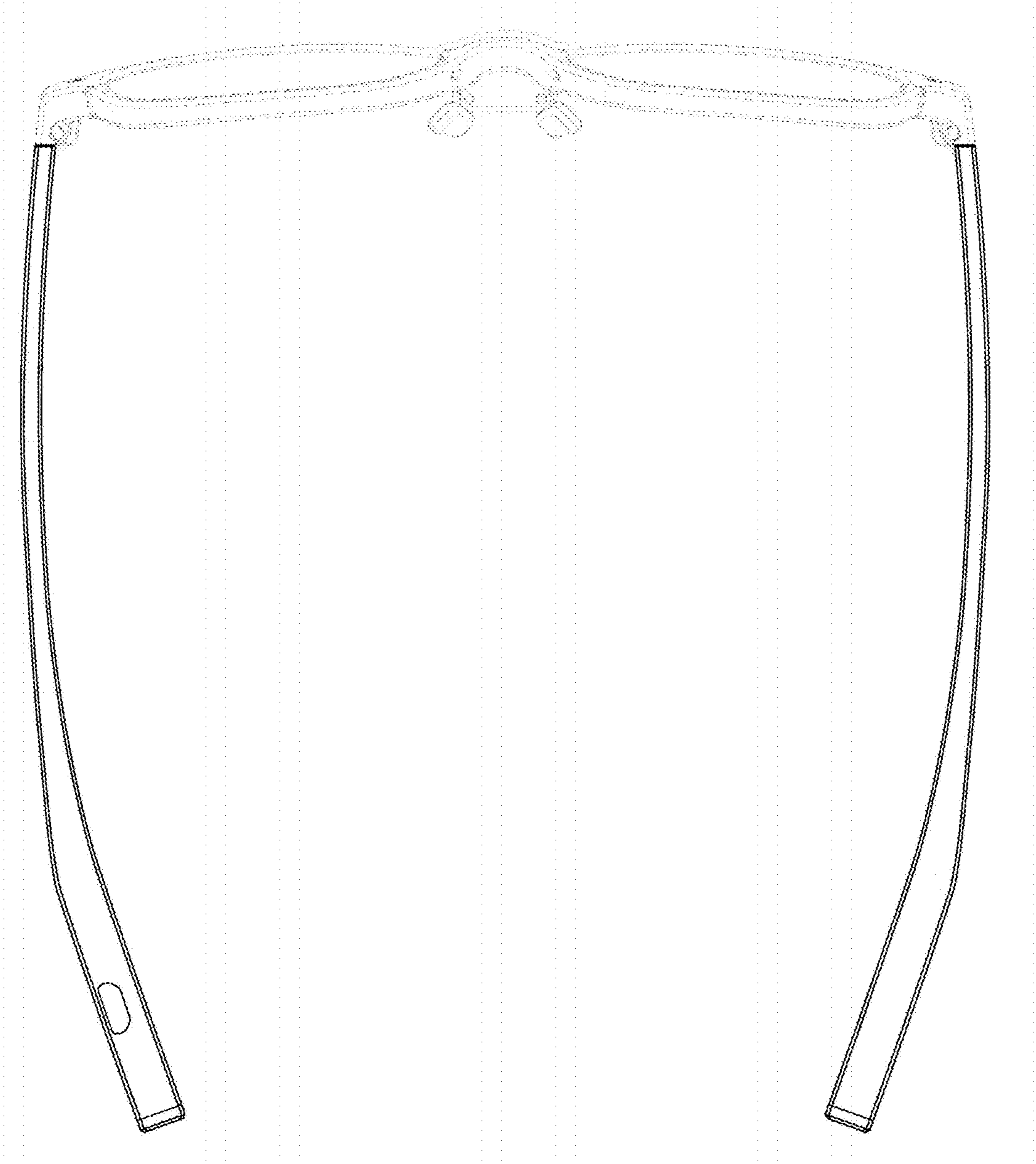


FIG. 1

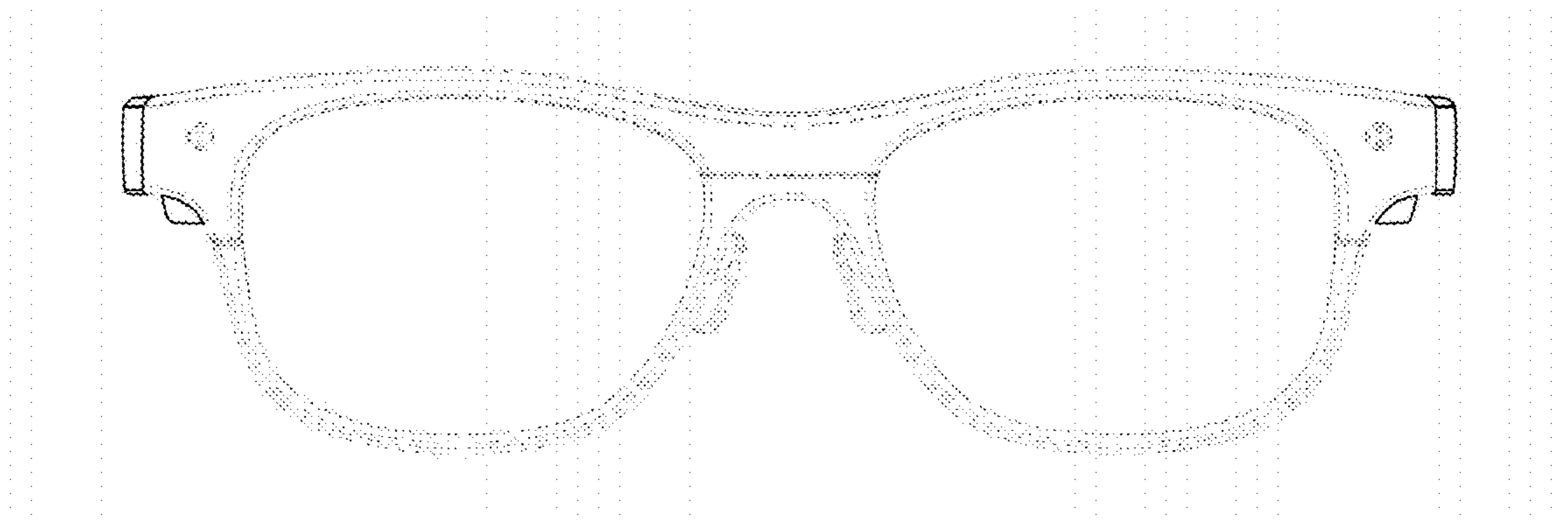


FIG. 2

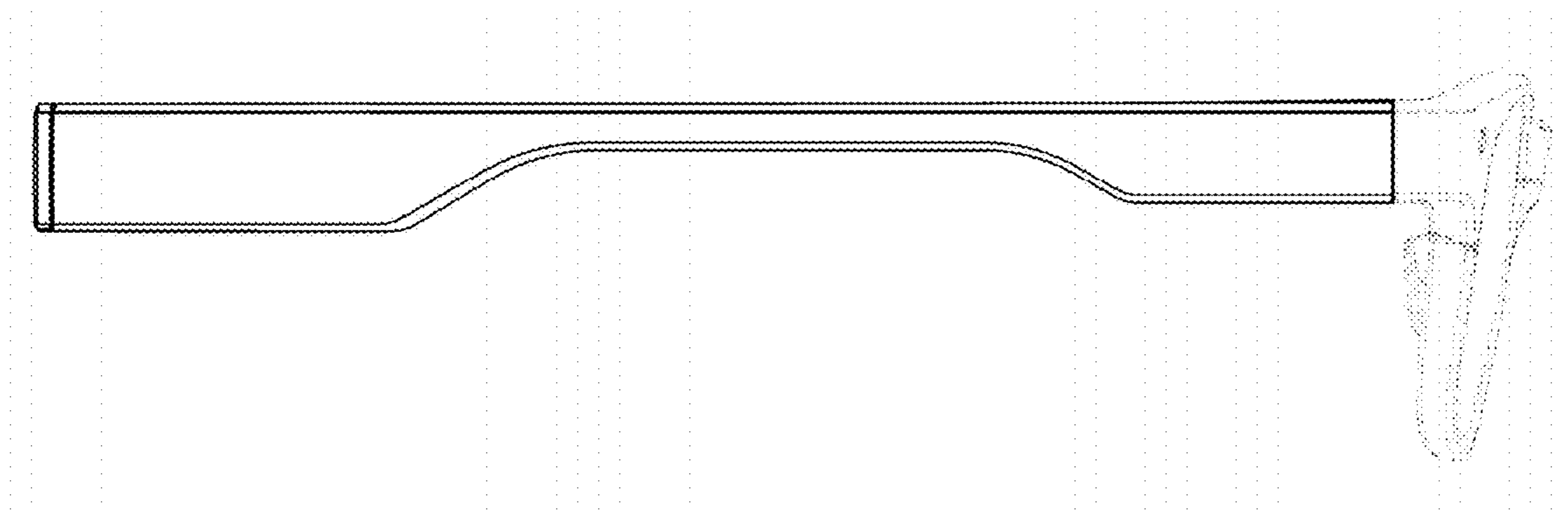


FIG. 3

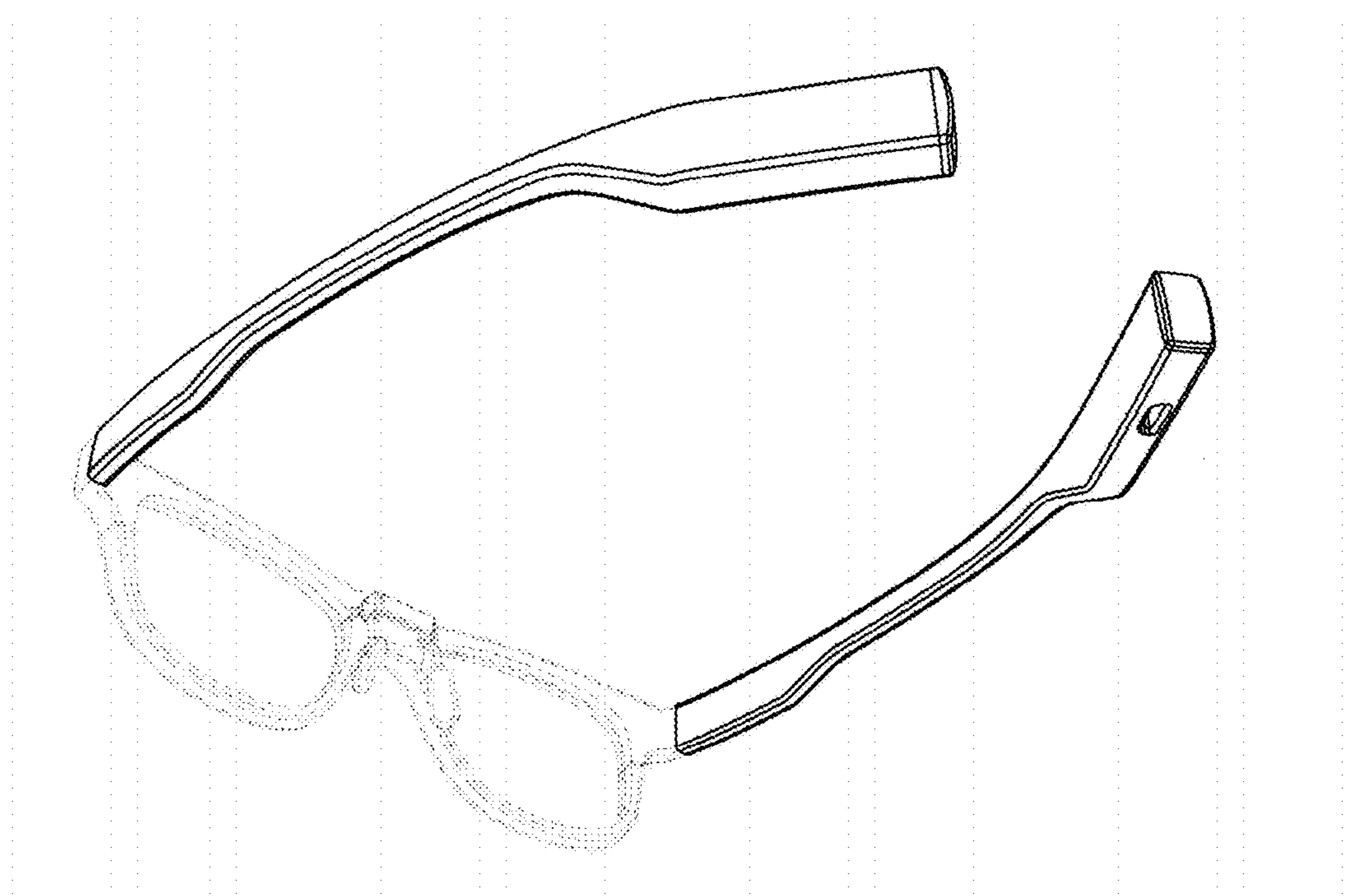


FIG. 4

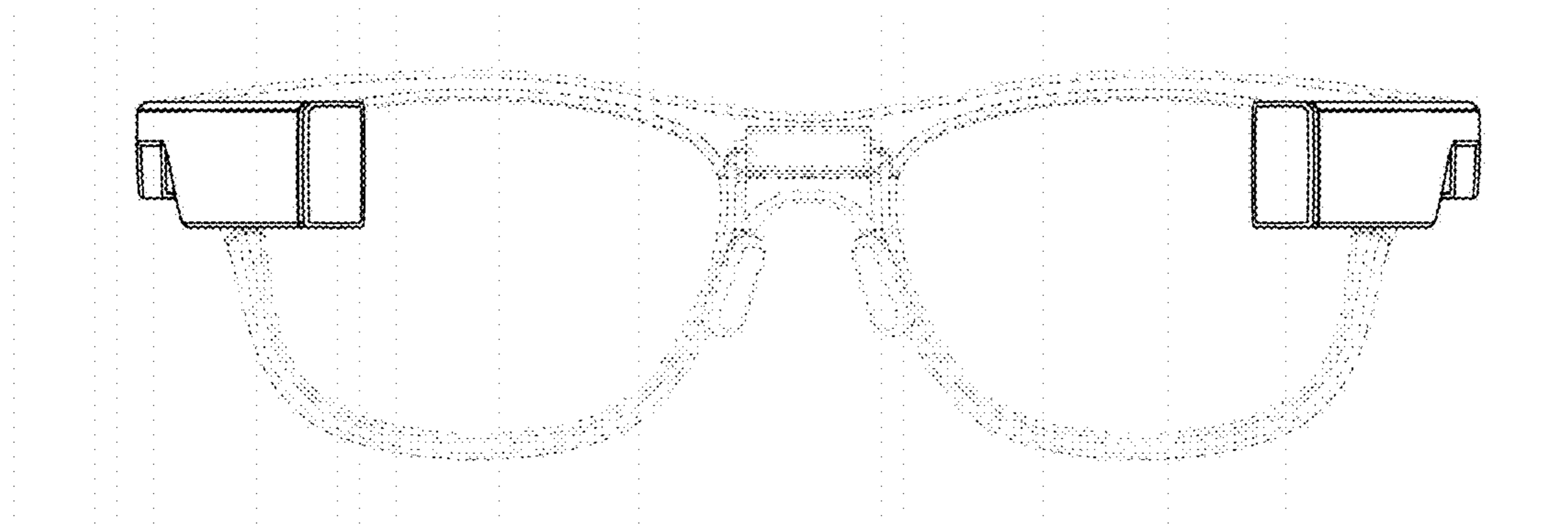


FIG. 5

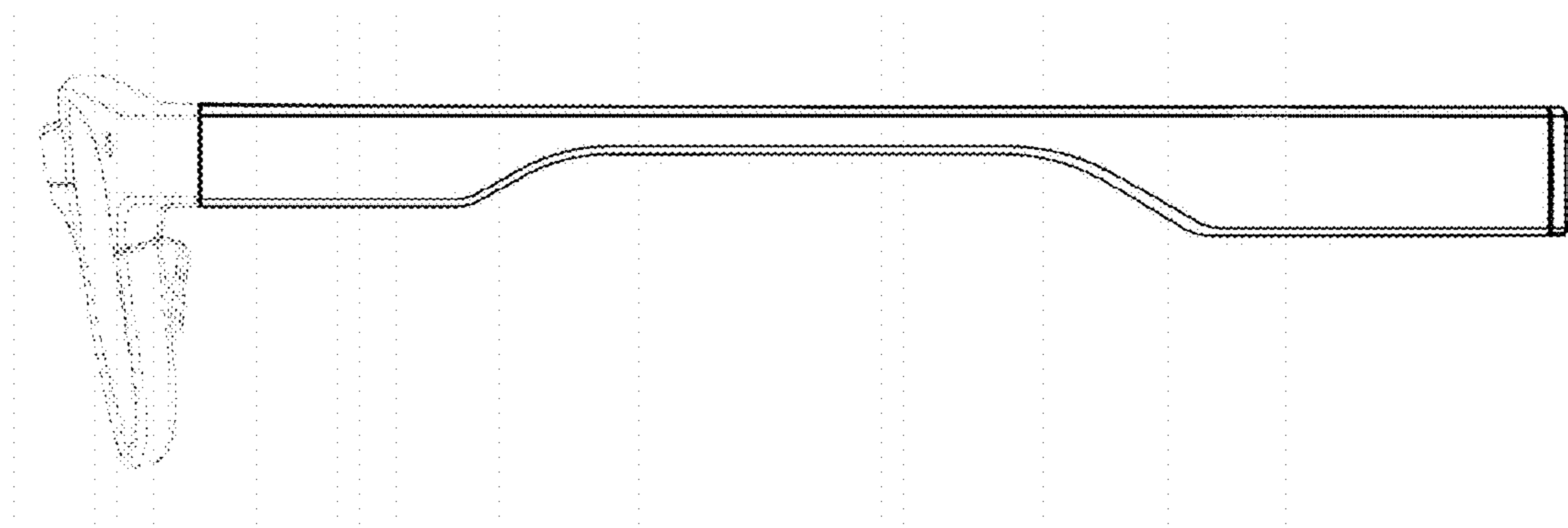


FIG. 6

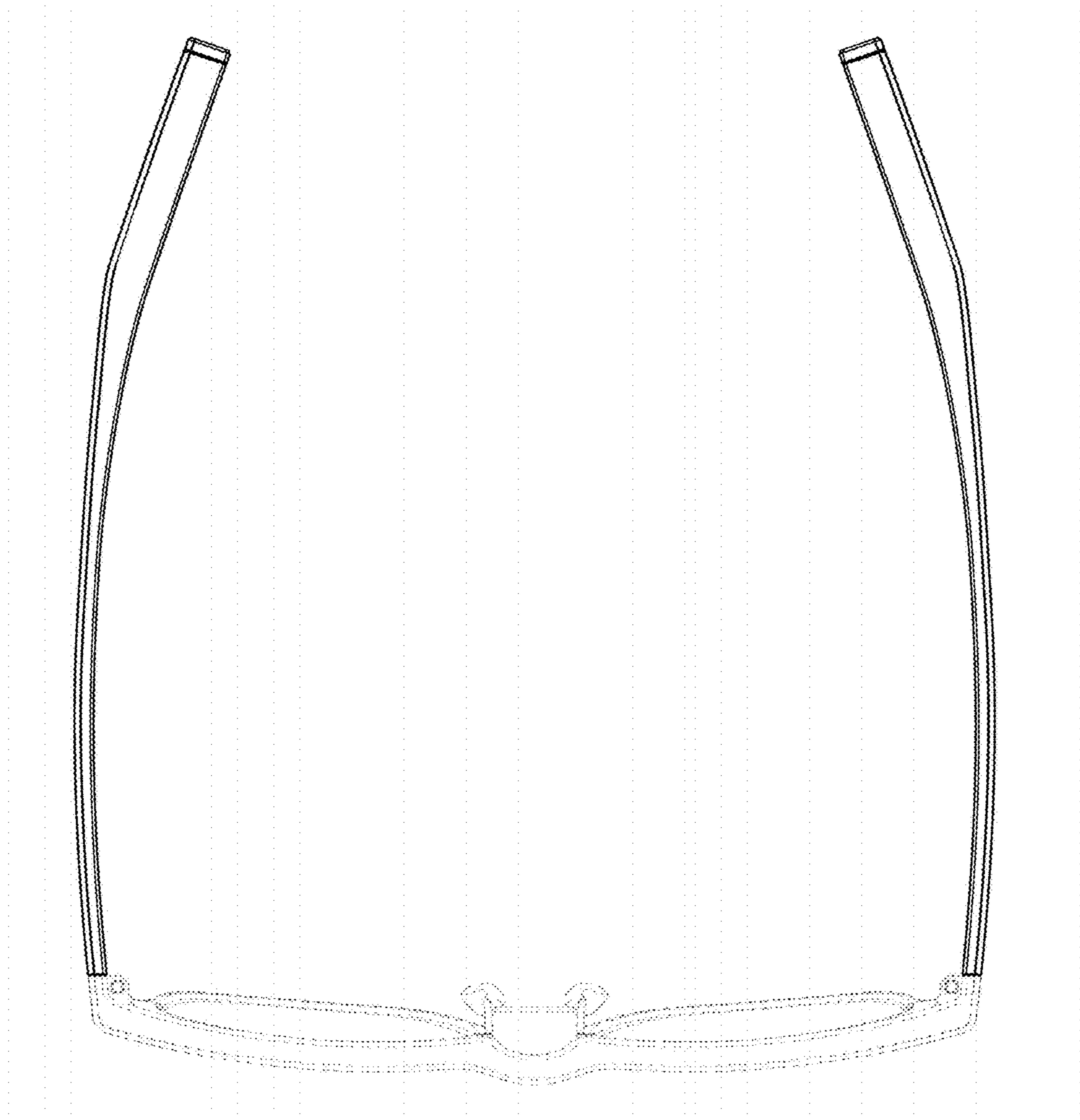


FIG. 7

UNITED STATES PATENT AND TRADEMARK OFFICE
CERTIFICATE OF CORRECTION

PATENT NO. : D780,831 S
APPLICATION NO. : 29/524855
DATED : March 7, 2017
INVENTOR(S) : Hitoshi Tanaka et al.

Page 1 of 1

It is certified that error appears in the above-identified patent and that said Letters Patent is hereby corrected as shown below:

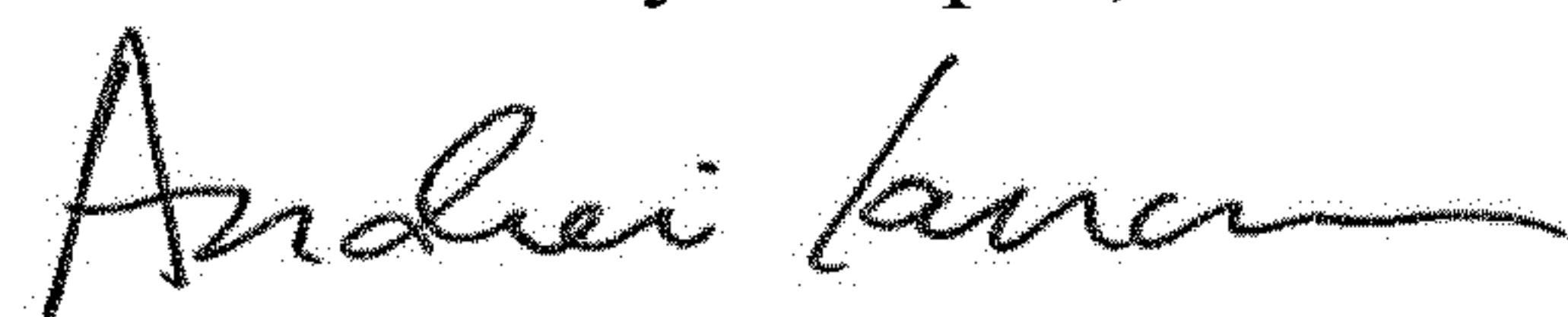
On the Title Page

In the Assignee item (73), replace "THE JOHNS HOPKINS UNIVERSITY, Baltimore, MD (US)" with --JIN CO., LTD., Maebashi-shi, Gunma (JP)--

In the Foreign Application Priority Data item (30), correct as follows:

Oct. 29, 2014 (JP) 2014-024197
Oct. 29, 2014 (JP) 2014-024199
Oct. 29, 2014 (JP) 2014-024201

Signed and Sealed this
Ninth Day of April, 2019



Andrei Iancu
Director of the United States Patent and Trademark Office