



US00D780827S

(12) **United States Design Patent**
Costa

(10) **Patent No.:** **US D780,827 S**

(45) **Date of Patent:** **** Mar. 7, 2017**

(54) **CAMERA SOCKET MOUNT ADAPTER**

(71) Applicant: **GoPro, Inc.**, San Mateo, CA (US)

(72) Inventor: **Mark E. Costa**, Menlo Park, CA (US)

(73) Assignee: **GoPro, Inc.**, San Mateo, CA (US)

(**) Term: **15 Years**

(21) Appl. No.: **29/548,665**

(22) Filed: **Dec. 15, 2015**

(51) **LOC (10) Cl.** **16-05**

(52) **U.S. Cl.**
USPC **D16/242**

(58) **Field of Classification Search**
USPC D16/200, 204, 208, 213, 219, 235,
D16/237-250; D14/250-253; D8/313,
D8/349, 382, 383; D15/2-6, 138, 144;
D12/162
CPC G03B 17/56; G03B 17/561-17/568;
G03B 21/20; G02B 7/00-7/002; F16M
11/02; F16M 11/20; F16M 11/40
See application file for complete search history.

(56) **References Cited**

U.S. PATENT DOCUMENTS

3,054,587	A	*	9/1962	Hebenstreit	F16L 3/1233	248/74.1
D291,409	S	*	8/1987	Themistos	D8/329	
D323,339	S	*	1/1992	Ishikawa	D16/245	
D366,887	S	*	2/1996	Wood	D16/242	
D395,996	S	*	7/1998	Fischer	D8/349	
D399,230	S	*	10/1998	Tenne	D16/237	
D467,605	S	*	12/2002	Dordick	D16/242	
D483,789	S	*	12/2003	Dordick	D16/242	
D484,168	S	*	12/2003	Dordick	D16/242	
D506,493	S	*	6/2005	Naito	D13/133	
D596,658	S	*	7/2009	Dordick	D16/242	
D649,576	S	*	11/2011	Jannard	D16/242	
D675,661	S	*	2/2013	Jannard	D16/242	

D689,114	S	*	9/2013	Green	D16/242	
D708,680	S	*	7/2014	Norman	D21/503	
D722,864	S	*	2/2015	Greenthal	D8/382	
D757,842	S	*	5/2016	Harrison	D16/242	
D758,473	S	*	6/2016	Costa	D16/242	
D759,147	S	*	6/2016	Harrison	D16/242	
D764,566	S	*	8/2016	Bennett	D16/242	
D764,567	S	*	8/2016	Bennett	D16/242	

FOREIGN PATENT DOCUMENTS

CN	201430279965	*	8/2014
CN	201530314489	*	8/2015
CN	201630274130	*	6/2016

* cited by examiner

Primary Examiner — Vy Koenig

Assistant Examiner — Omeed Agilee

(74) *Attorney, Agent, or Firm* — Fenwick & West LLP

(57) **CLAIM**

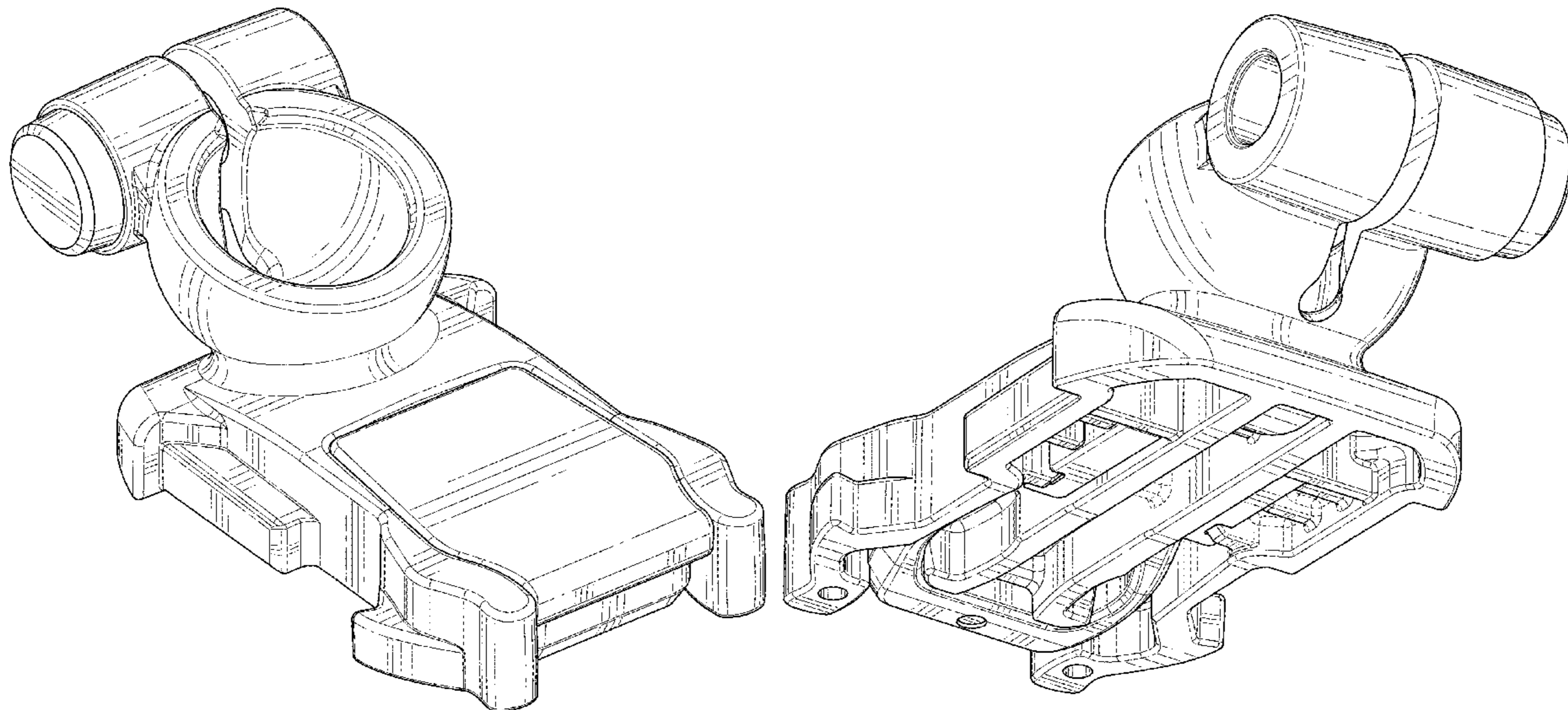
The ornamental design for a camera socket mount adapter, as shown and described.

DESCRIPTION

FIG. 1 is a front, top, and left perspective view of a camera socket mount adapter;
FIG. 2 is a rear, bottom, and right perspective view thereof;
FIG. 3 is a rear, top, and left perspective view thereof;
FIG. 4 is a front, bottom, and right perspective view thereof;
FIG. 5 is a front view thereof;
FIG. 6 is a rear view thereof;
FIG. 7 is a right view thereof;
FIG. 8 is a left view thereof;
FIG. 9 is a top view thereof; and,
FIG. 10 is a bottom view thereof.

The broken lines in the drawings are included for the purpose of illustrating environmental structure and form no part of the claimed design.

1 Claim, 10 Drawing Sheets



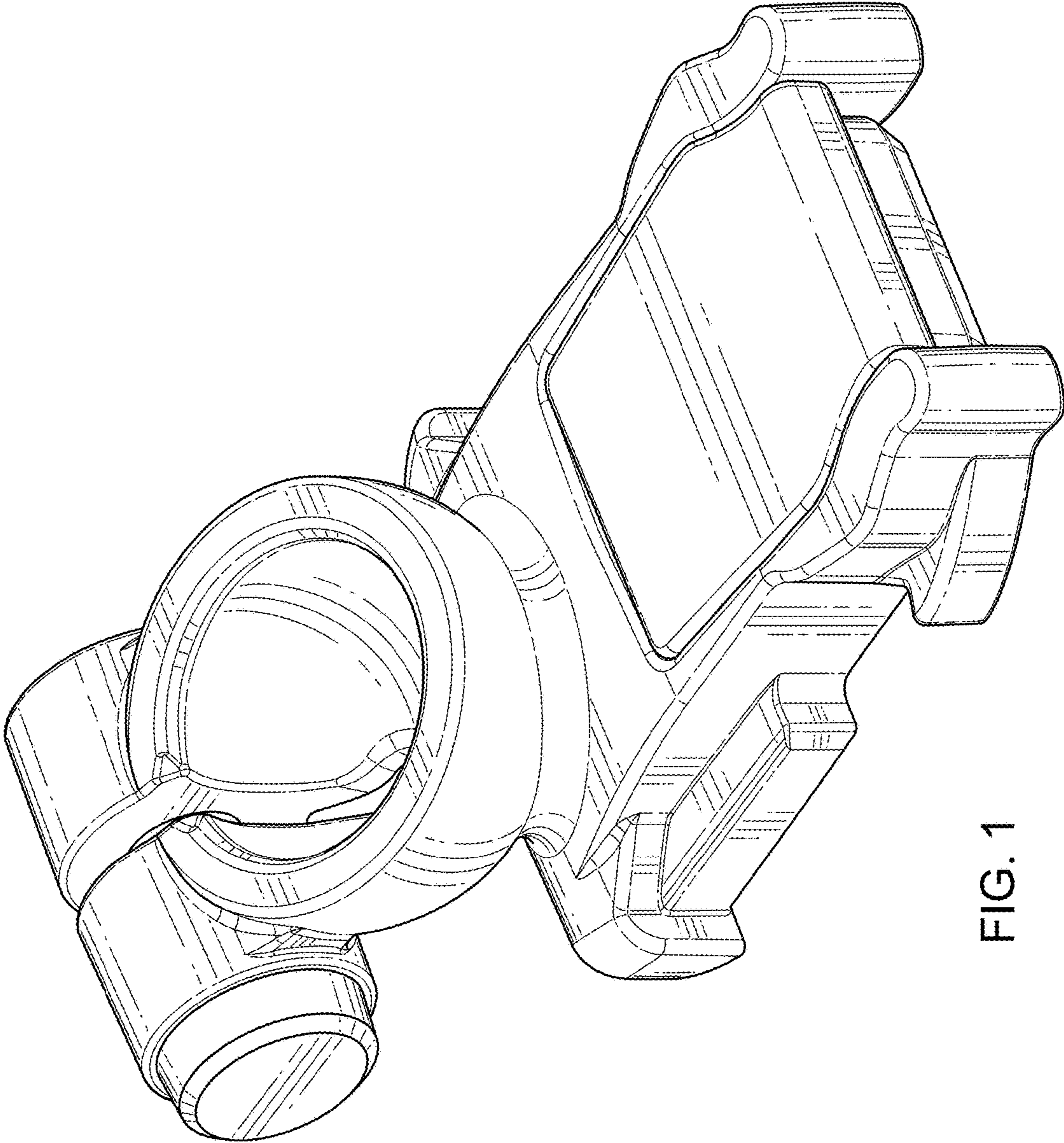


FIG. 1

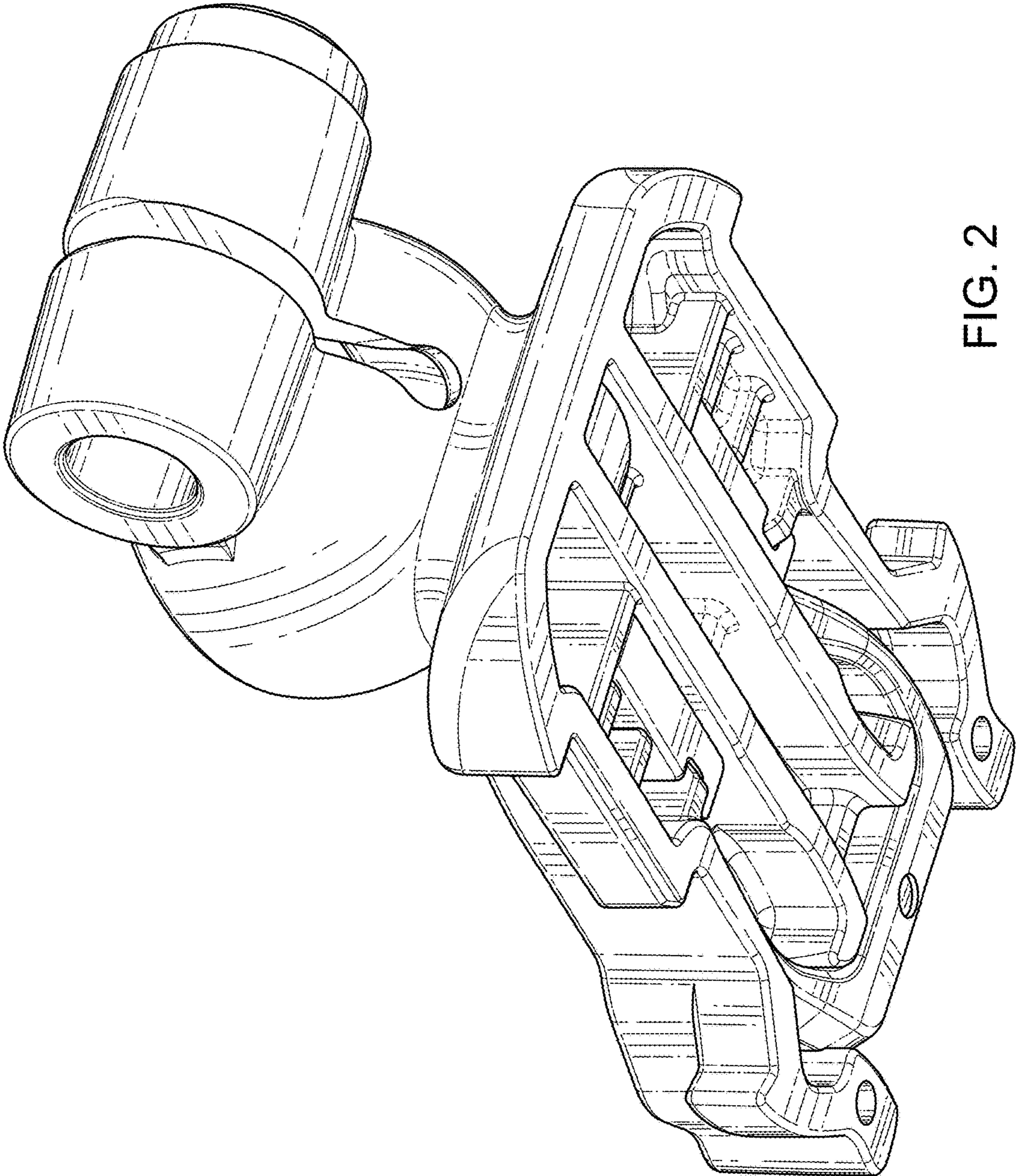


FIG. 2

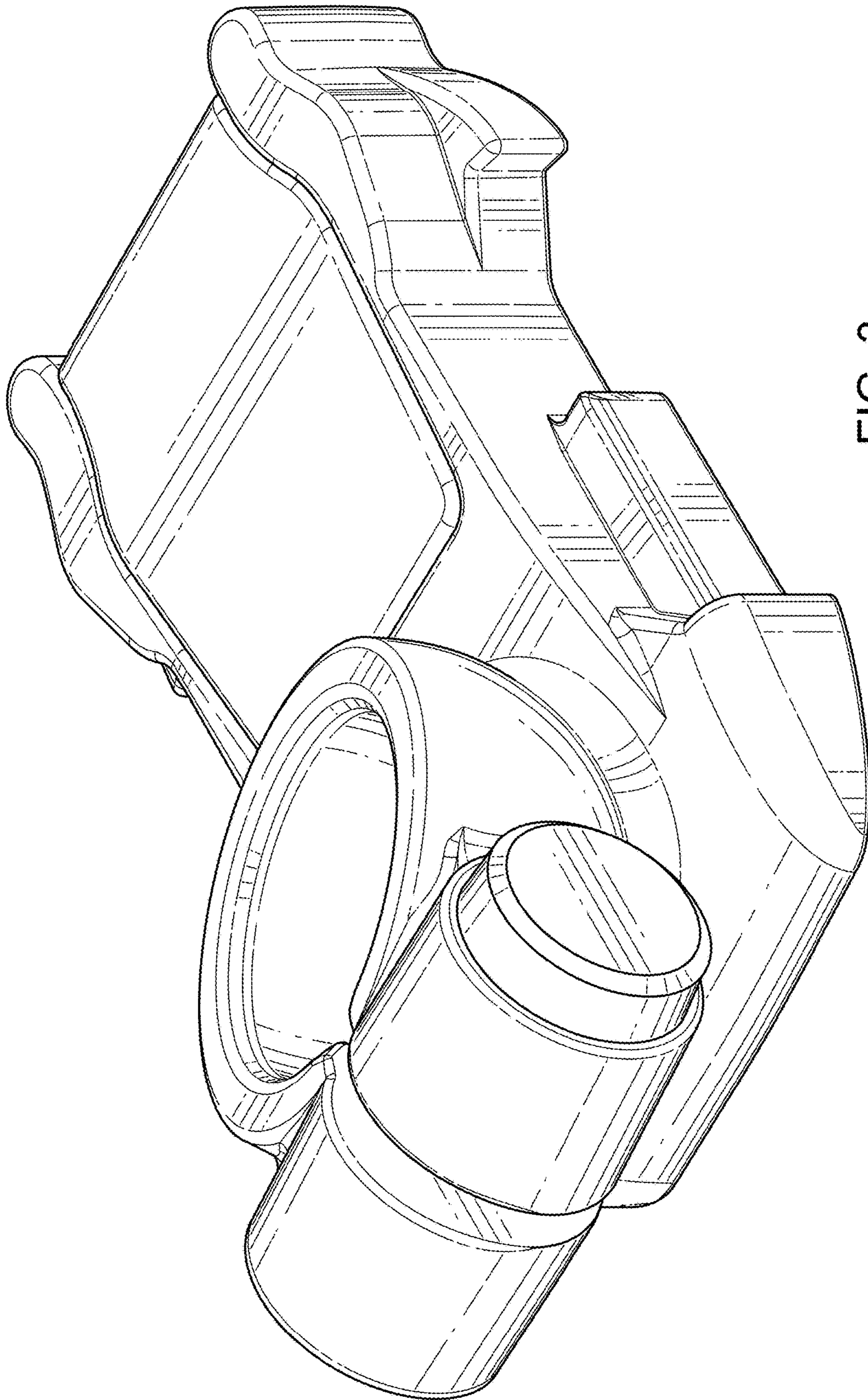


FIG. 3

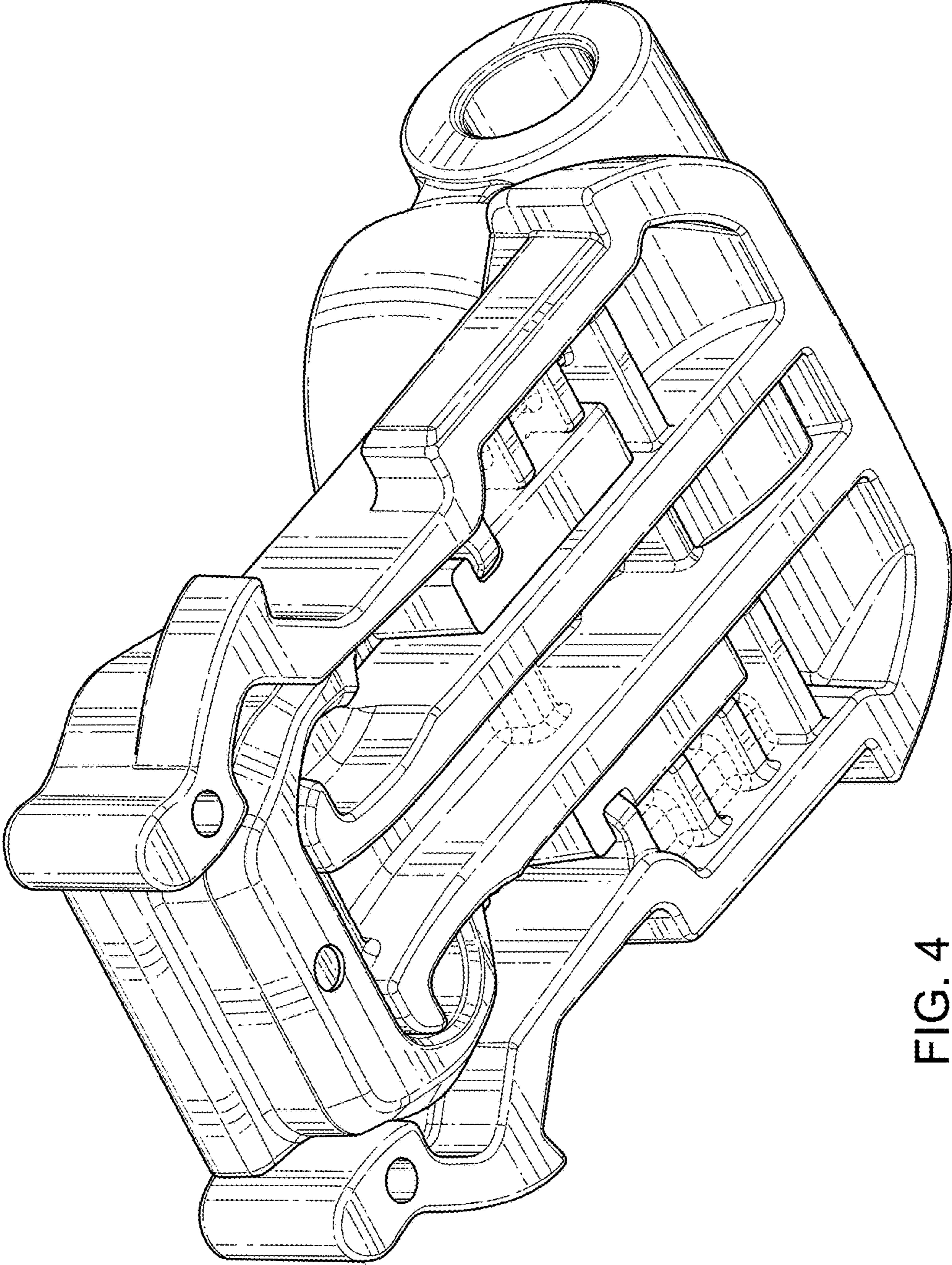


FIG. 4

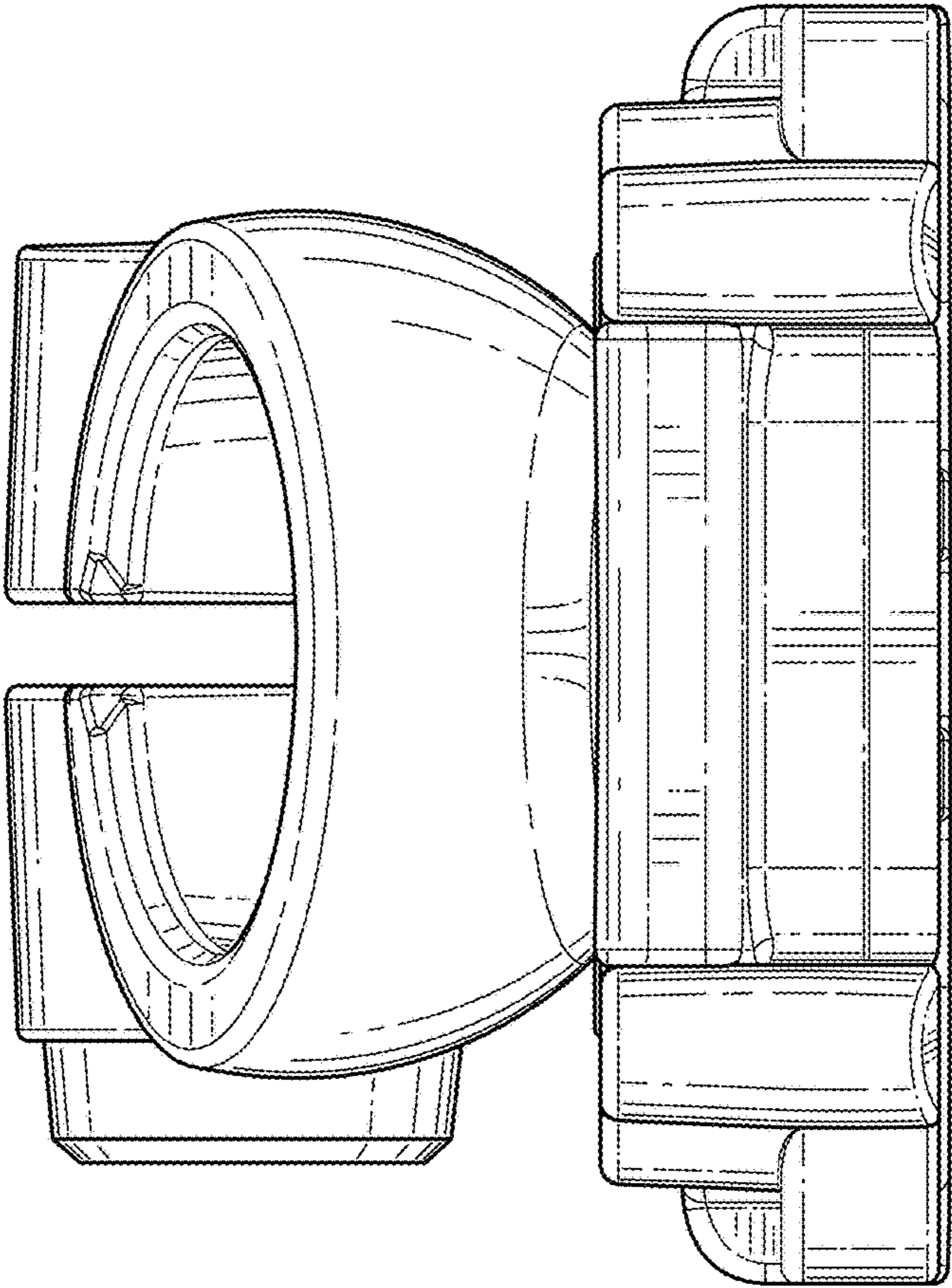


FIG. 5

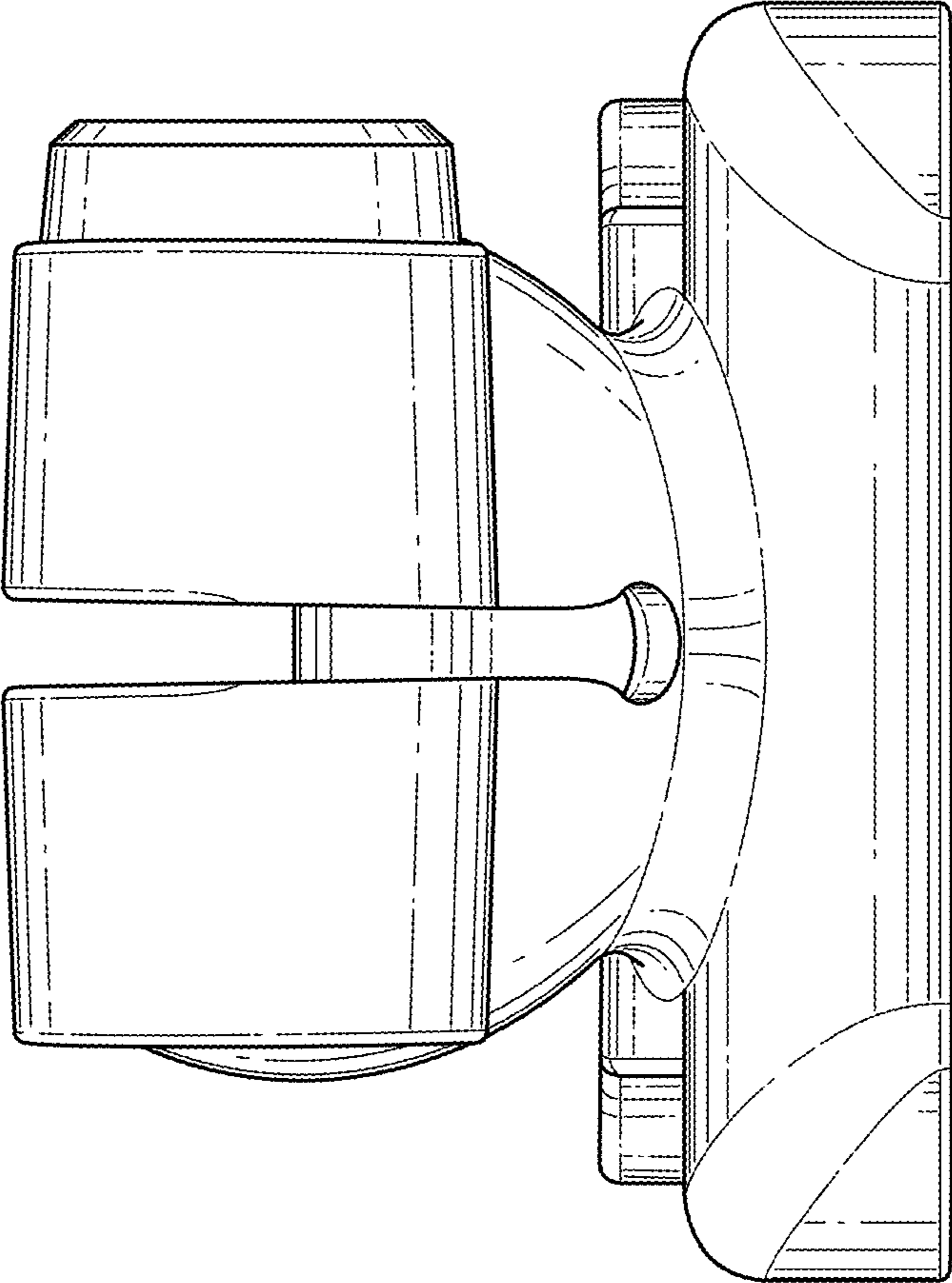


FIG. 6

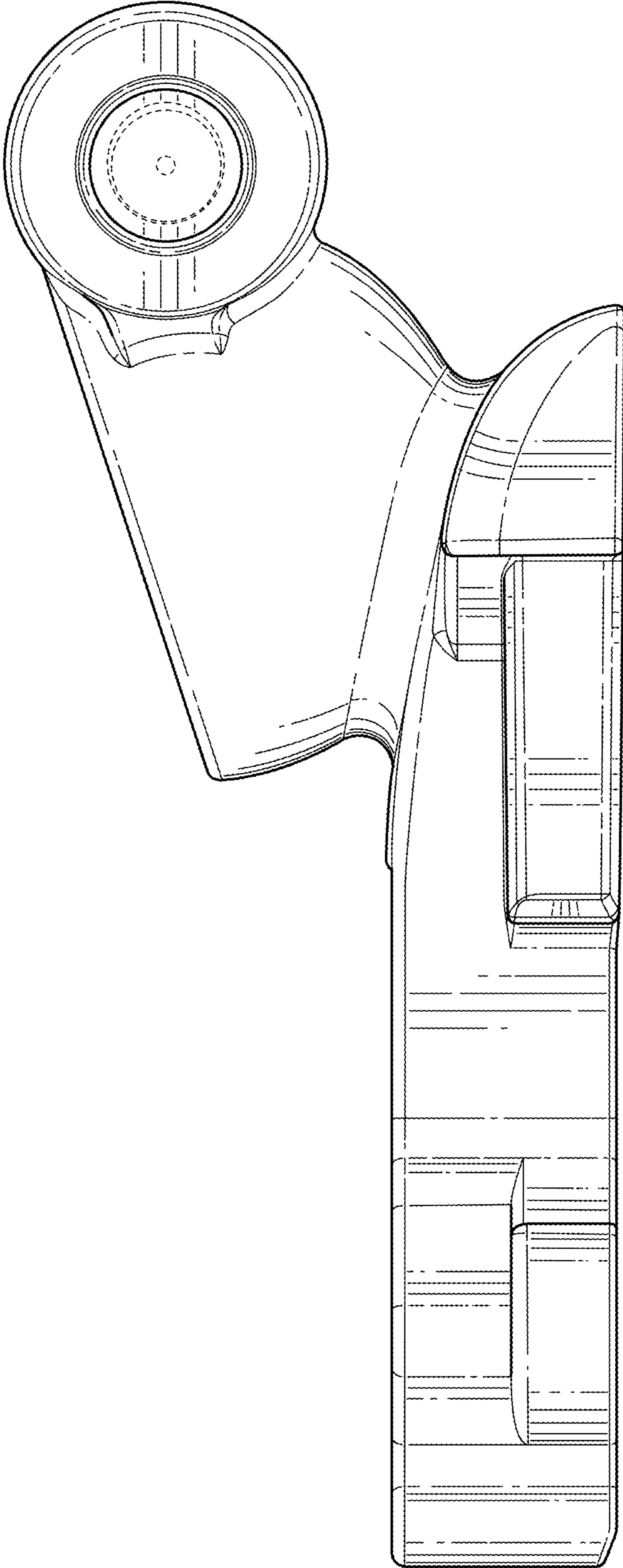


FIG. 7

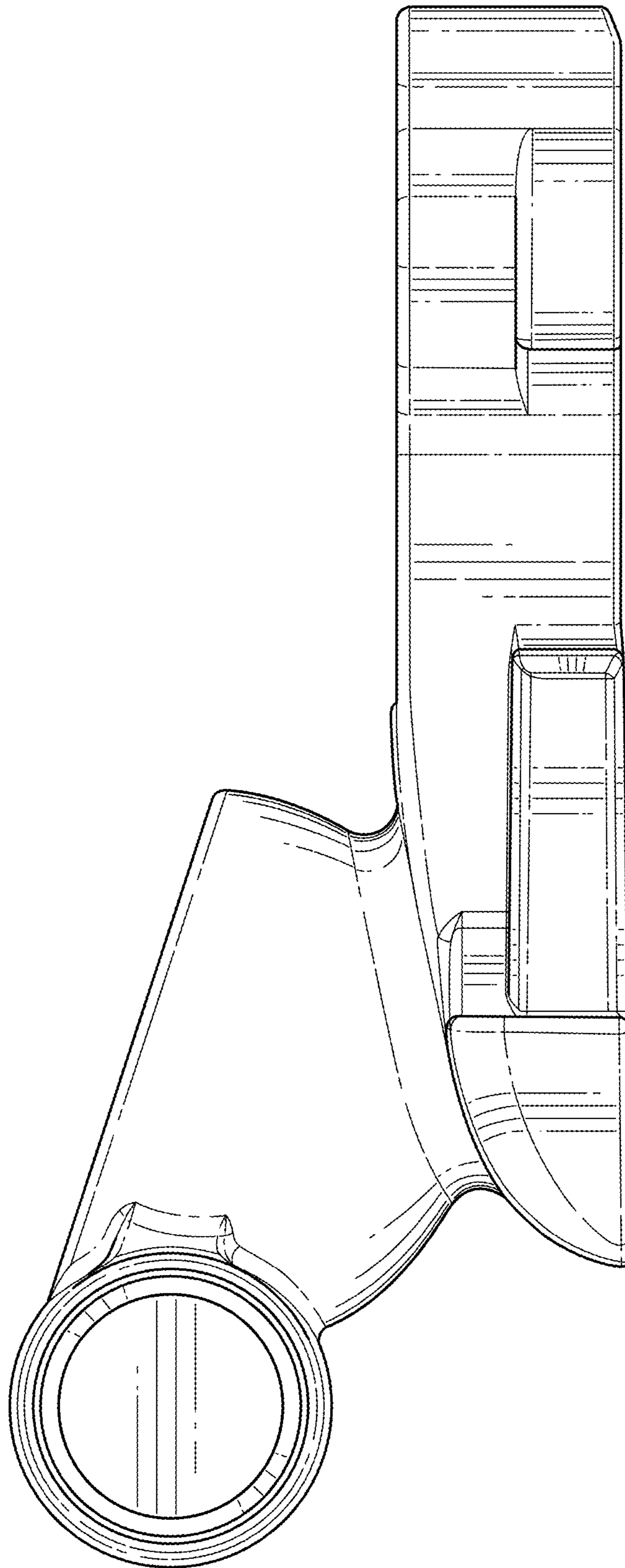


FIG. 8

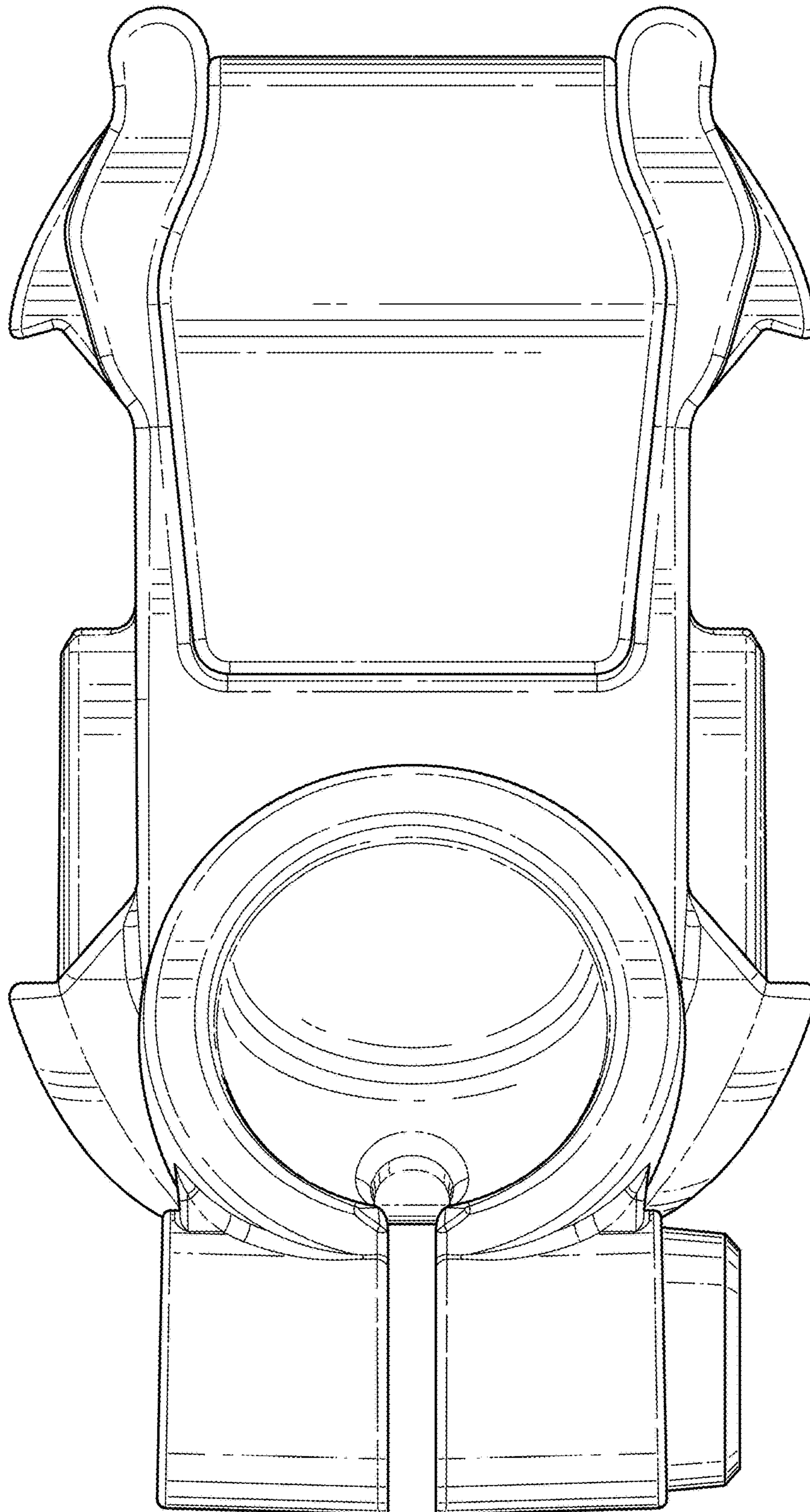


FIG. 9

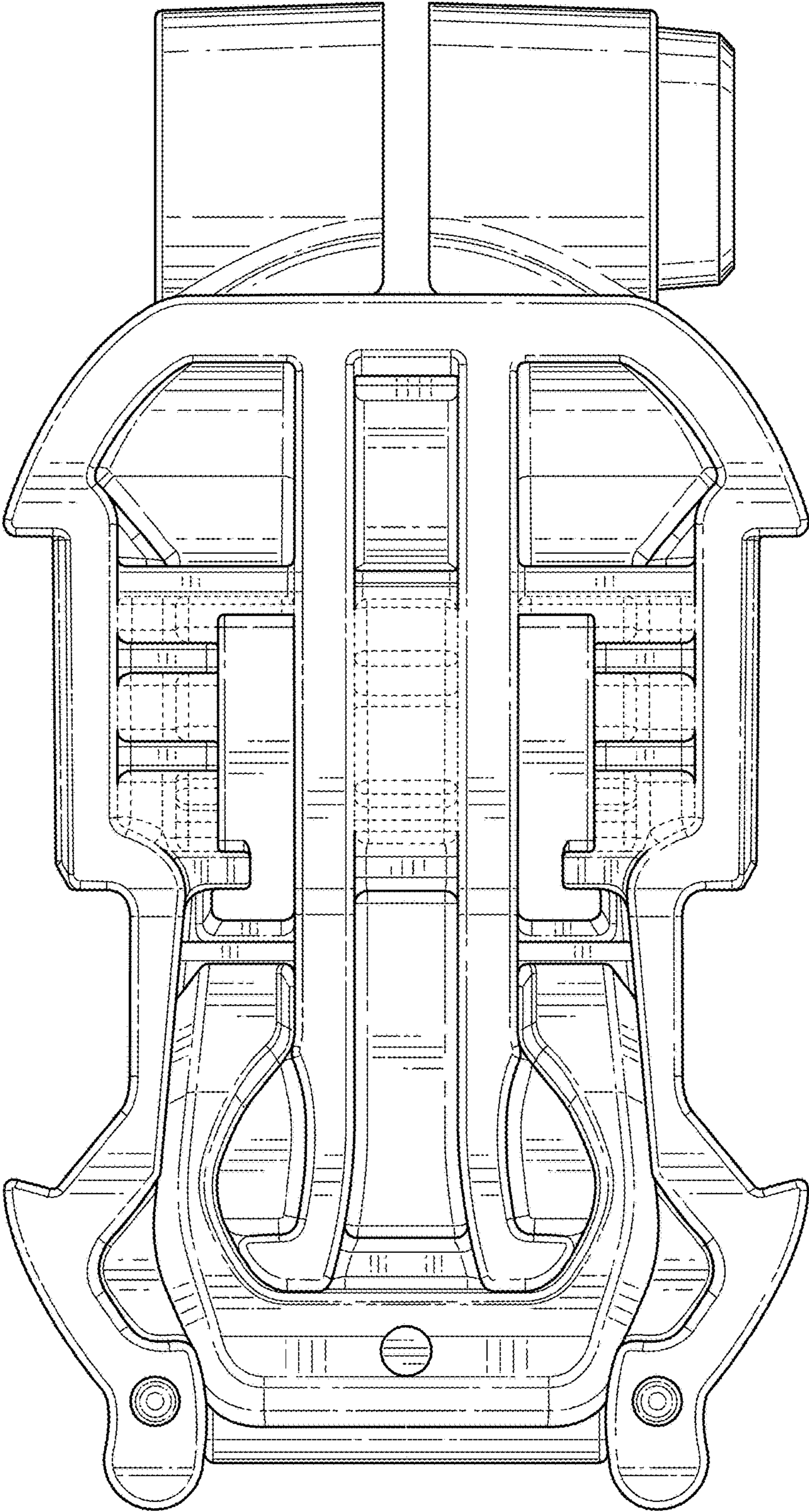


FIG. 10