



US00D780826S

(12) **United States Design Patent**  
**Yan et al.**

(10) **Patent No.:** **US D780,826 S**  
(45) **Date of Patent:** **\*\* Mar. 7, 2017**

- (54) **MOUNT**
- (71) Applicant: **SZ DJI Technology Co., Ltd.**,  
Shenzhen, Guangdong (CN)
- (72) Inventors: **Xin Yan**, Shenzhen (CN); **Bo Liang**,  
Shenzhen (CN)
- (73) Assignee: **SZ DJI TECHNOLOGY CO., LTD.**,  
Shenzhen (CN)
- (\*\*) Term: **15 Years**
- (21) Appl. No.: **29/547,028**
- (22) Filed: **Nov. 30, 2015**
- (51) **LOC (10) Cl.** ..... **16-05**
- (52) **U.S. Cl.**  
USPC ..... **D16/242**
- (58) **Field of Classification Search**  
USPC ..... D16/237, 242–245, 202, 203, 241, 207,  
D16/200, 230–232; D8/354, 355, 363;  
396/419, 420, 428; D12/114, 223  
CPC ..... F16M 11/14; F16M 11/041; F16M 11/04;  
F16M 11/2078; F16M 11/28; F16M  
11/2021; F16M 11/12; F16M 11/10;  
F16M 2200/022; F16M 2200/027; F16M  
13/00; F16M 13/02; F16M 13/022; G03B  
17/561; G03B 17/566; G03B 17/563;  
G03B 2215/056; B60R 2011/0059; B60R  
2011/008; B60R 11/02  
See application file for complete search history.

- D339,598 S \* 9/1993 Shimizu ..... D16/202
- D373,841 S \* 9/1996 Wandler ..... D26/63
- D382,578 S \* 8/1997 Cieslikowski ..... D16/200
- D437,438 S \* 2/2001 Tang ..... D26/63
- D474,794 S \* 5/2003 Ogura ..... D16/202
- D544,978 S \* 6/2007 Jianbo ..... D26/63
- D577,453 S \* 9/2008 Metlen ..... D26/63
- 7,557,859 B2 \* 7/2009 Lee ..... H04N 5/2252  
348/360
- D643,452 S \* 8/2011 Alm ..... D16/200
- D717,856 S \* 11/2014 Slawson ..... D16/237
- D722,097 S \* 2/2015 Kim ..... D16/237
- D732,601 S \* 6/2015 Coyle ..... D16/237
- 9,195,119 B2 \* 11/2015 Wendt ..... G03B 17/566
- D757,840 S \* 5/2016 Sakamoto ..... D16/225
- D759,141 S \* 6/2016 Bacon ..... D16/200

(Continued)

*Primary Examiner* — Susan Bennett Hattan  
*Assistant Examiner* — Brett Miller  
(74) *Attorney, Agent, or Firm* — Sterne, Kessler,  
Goldstein & Fox P.L.L.C.

(57) **CLAIM**

The ornamental design for a mount, as shown and described.

**DESCRIPTION**

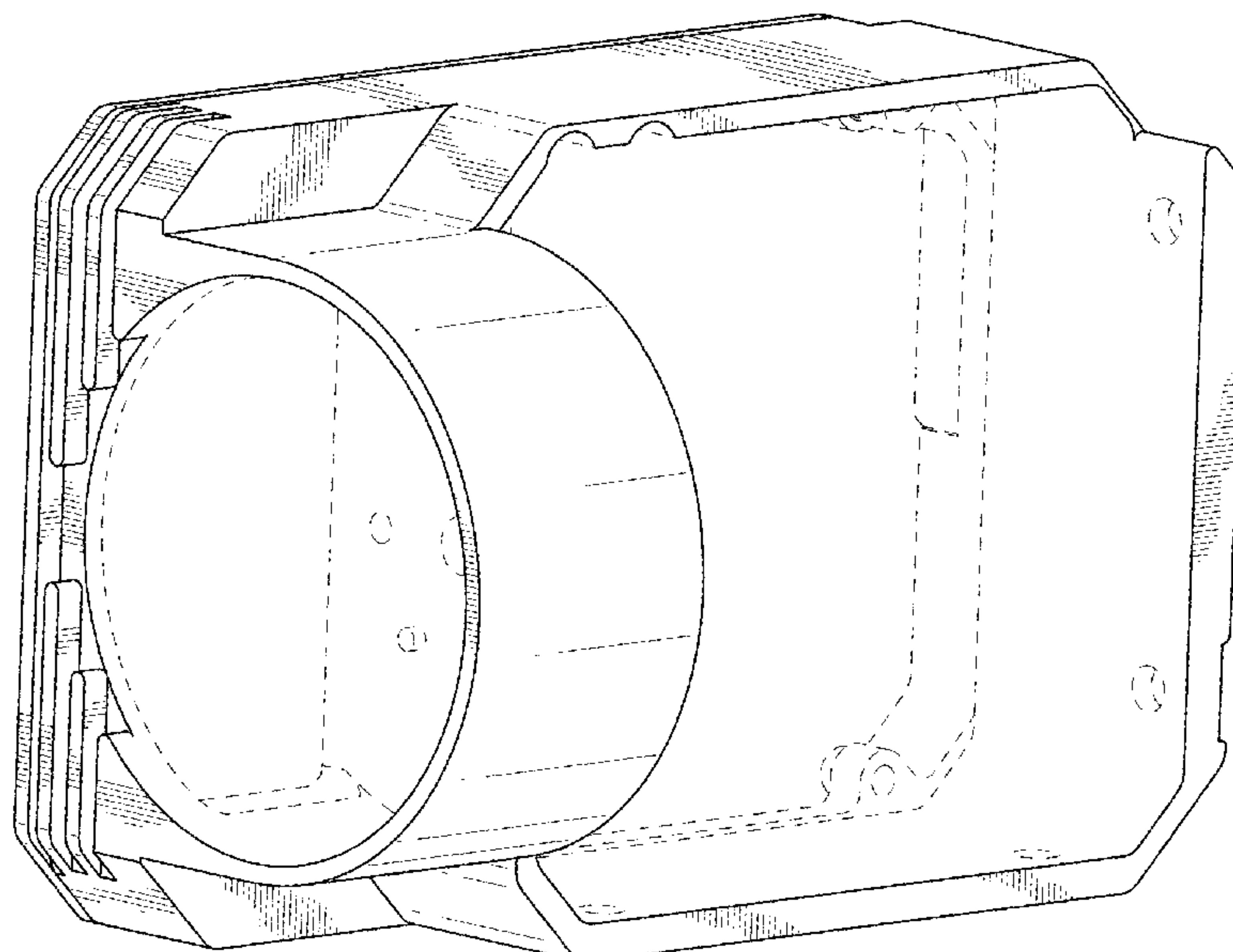
FIG. 1 is a top front perspective view of a mount showing the claimed design;  
FIG. 2 is a front view thereof;  
FIG. 3 is a rear view thereof;  
FIG. 4 is a right side view thereof;  
FIG. 5 is a left side view thereof;  
FIG. 6 is a bottom view thereof;  
FIG. 7 is a top view thereof; and,  
FIG. 8 is a top front perspective view thereof showing the mount in an environment in which it may be used.  
The broken lines in the figures show portions of the mount or environment that form no part of the claimed design.

**1 Claim, 5 Drawing Sheets**

(56) **References Cited**

**U.S. PATENT DOCUMENTS**

- 3,019,715 A \* 2/1962 Arnold ..... G03B 17/08  
396/27
- D265,829 S \* 8/1982 Shimoda ..... D16/204



(56)

**References Cited**

U.S. PATENT DOCUMENTS

2004/0042779 A1\* 3/2004 Maeda ..... H04N 5/2252  
396/79  
2006/0071134 A1\* 4/2006 Dent ..... B64D 47/08  
248/274.1  
2008/0210025 A1\* 9/2008 Goossen ..... F16M 11/04  
74/5.34  
2013/0284879 A1\* 10/2013 Low ..... F16M 13/02  
248/558  
2013/0315577 A1\* 11/2013 Clark ..... G03B 17/561  
396/27  
2015/0316835 A1\* 11/2015 Scott ..... G03B 17/561  
396/419  
2015/0370150 A1\* 12/2015 O'Neill ..... G03B 17/565  
348/360  
2016/0170290 A1\* 6/2016 Johnson, Sr. .... G03B 17/56  
396/428

\* cited by examiner

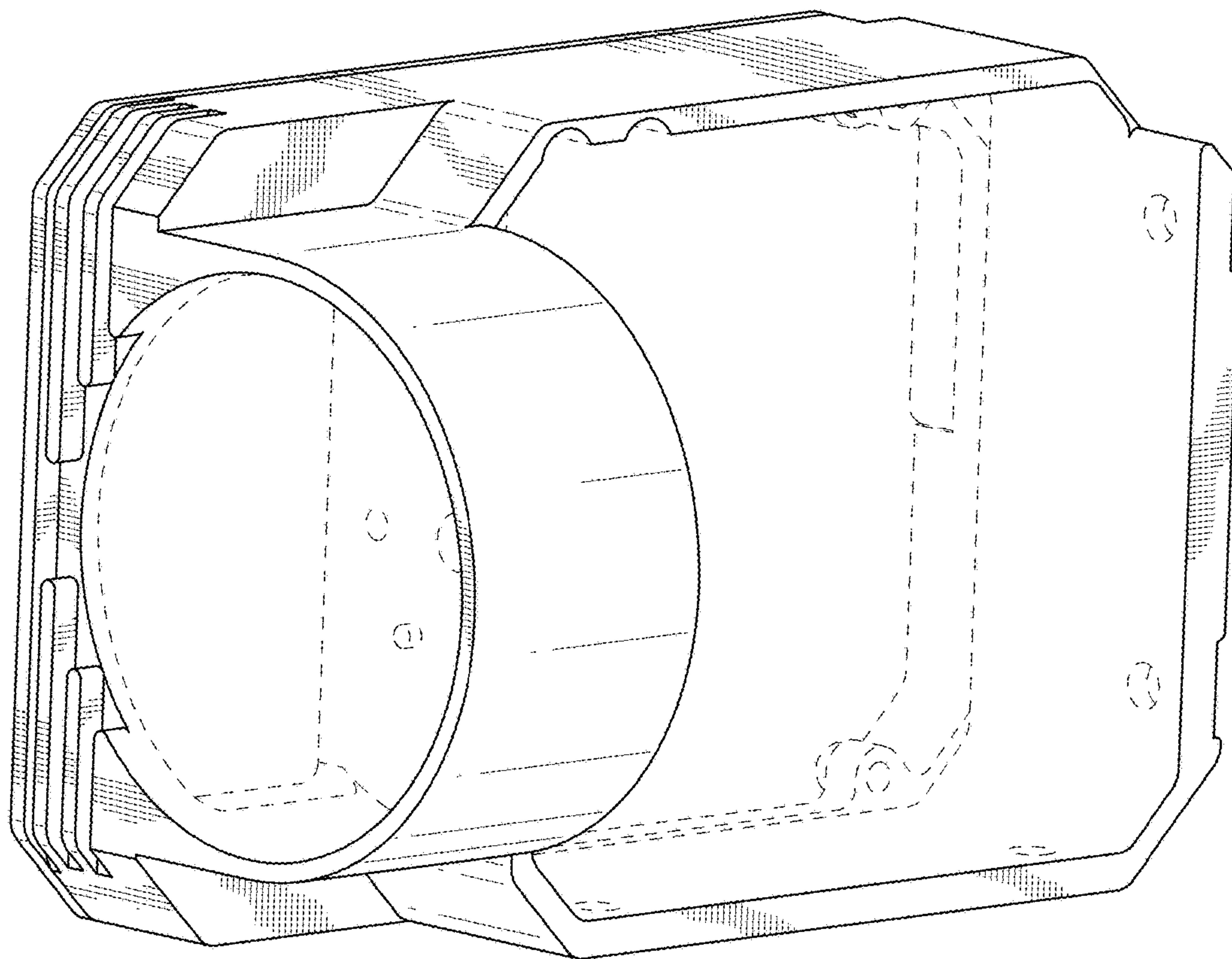


FIG. 1

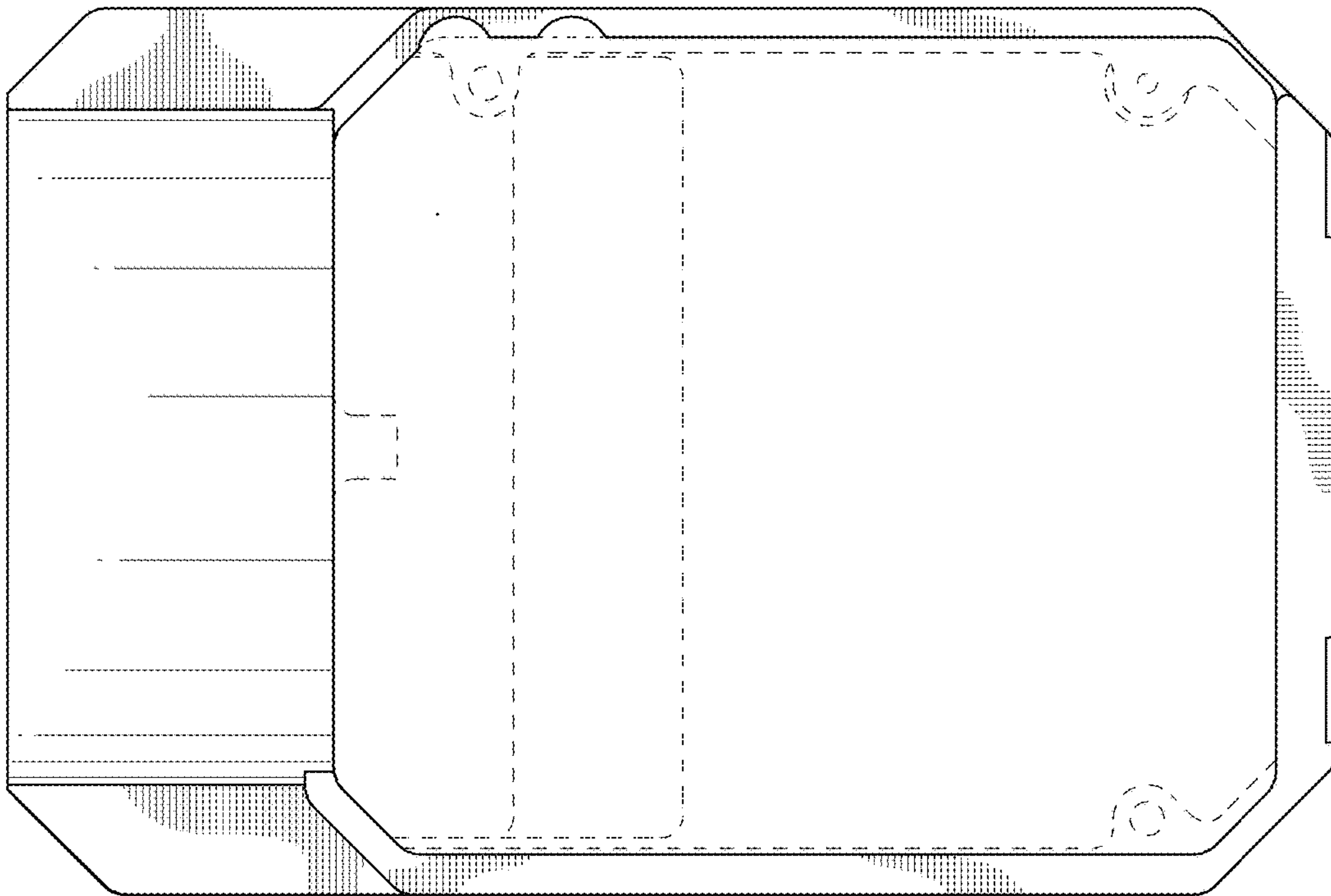


FIG. 2



FIG. 3



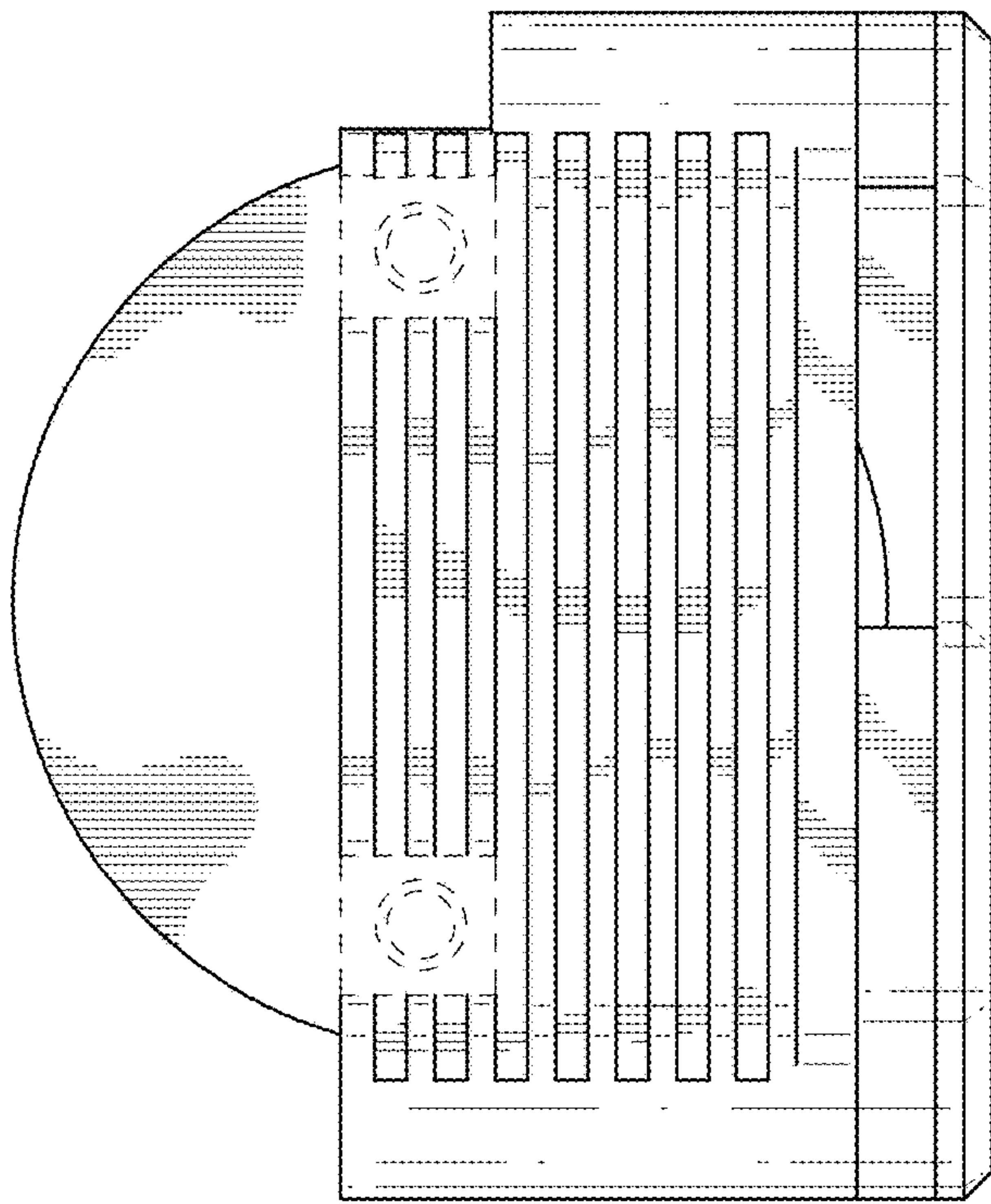


FIG. 4

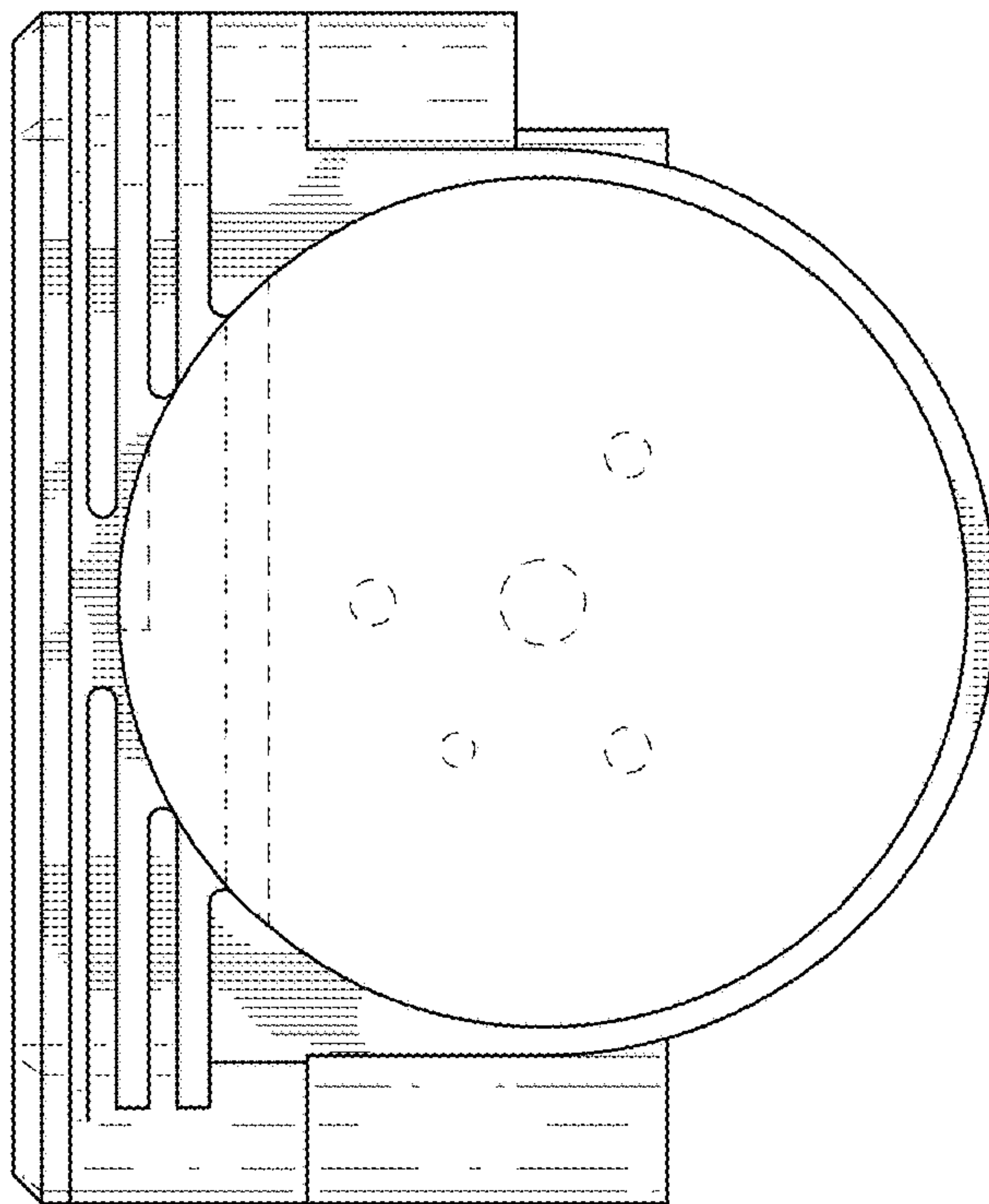


FIG. 5

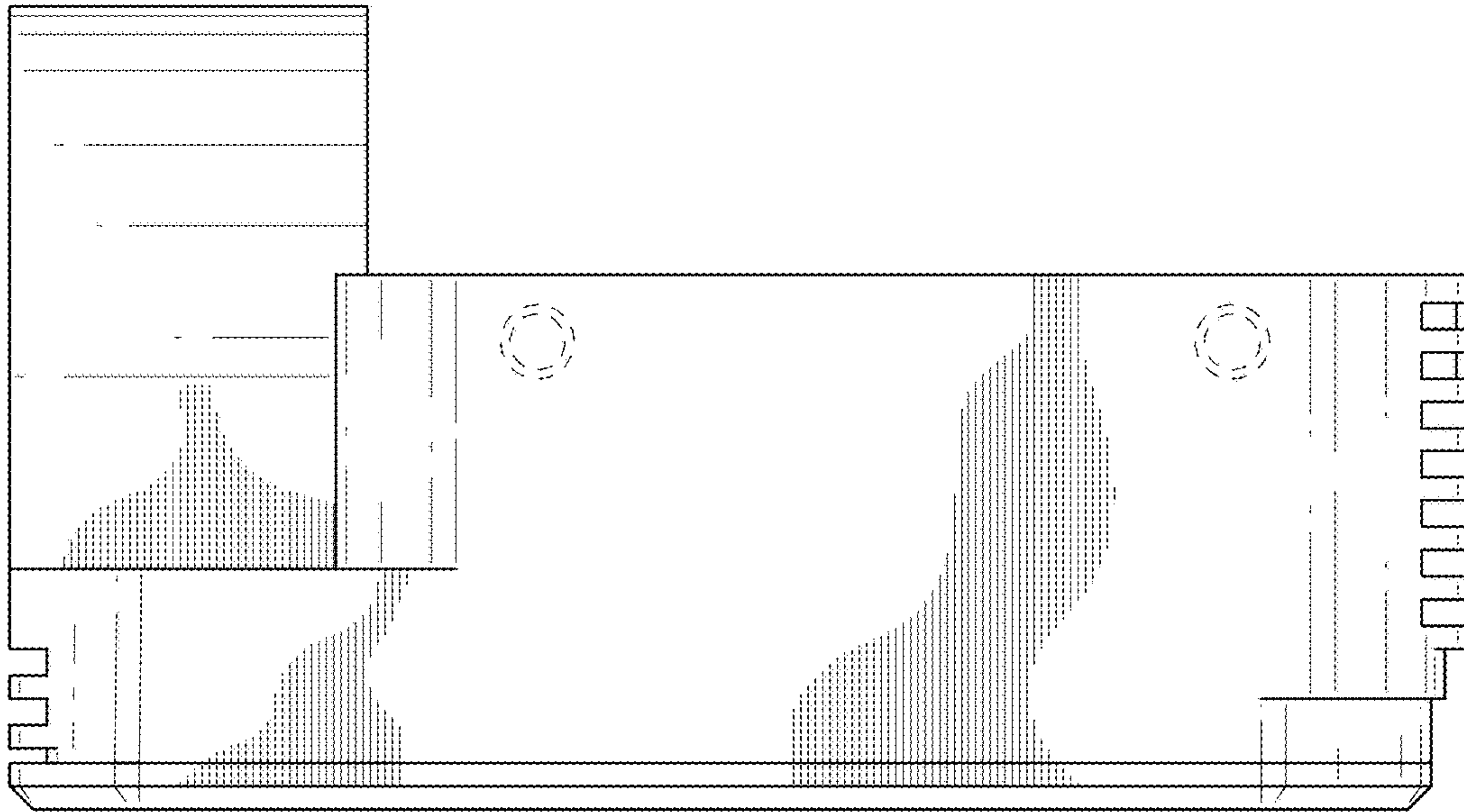


FIG. 6

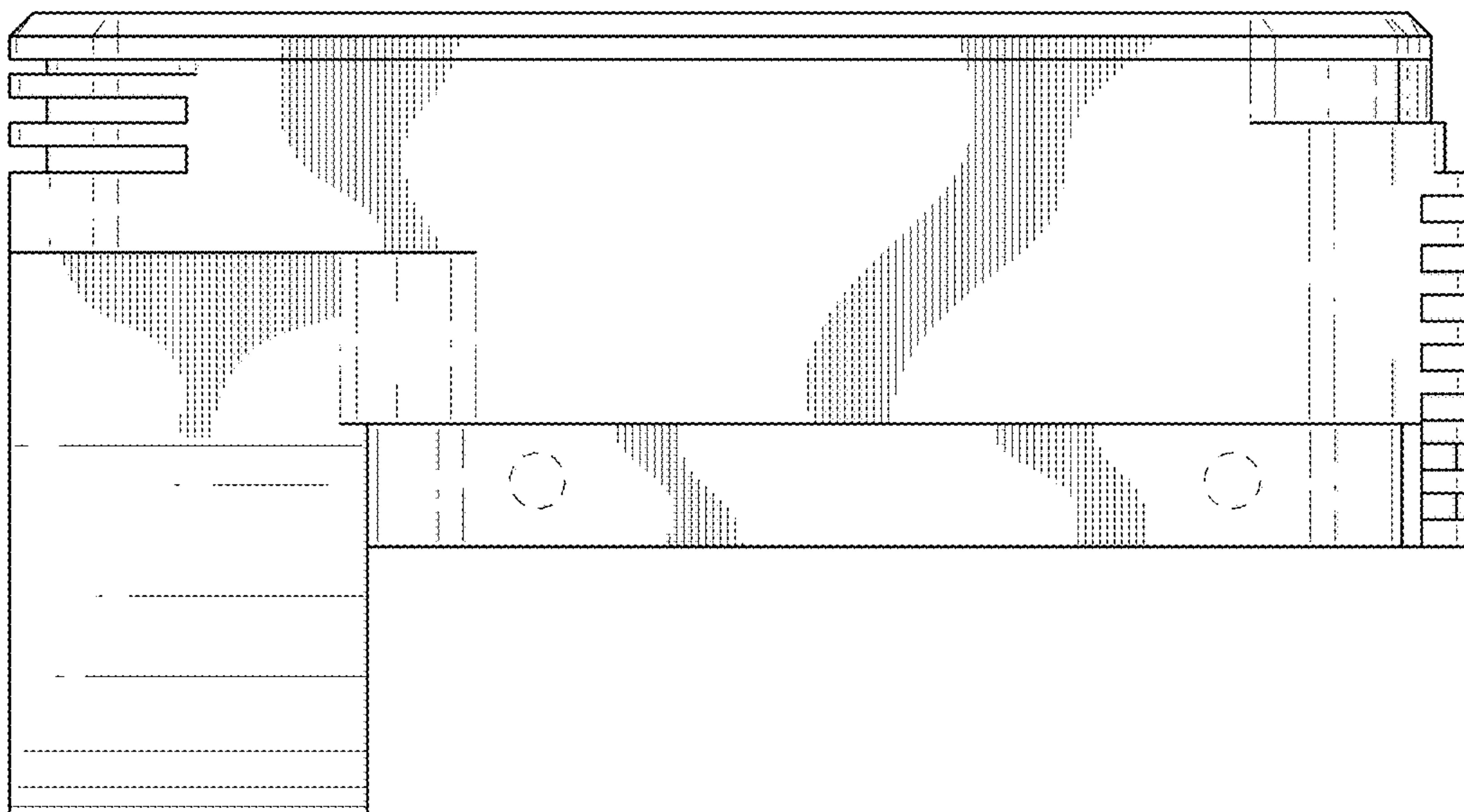


FIG. 7

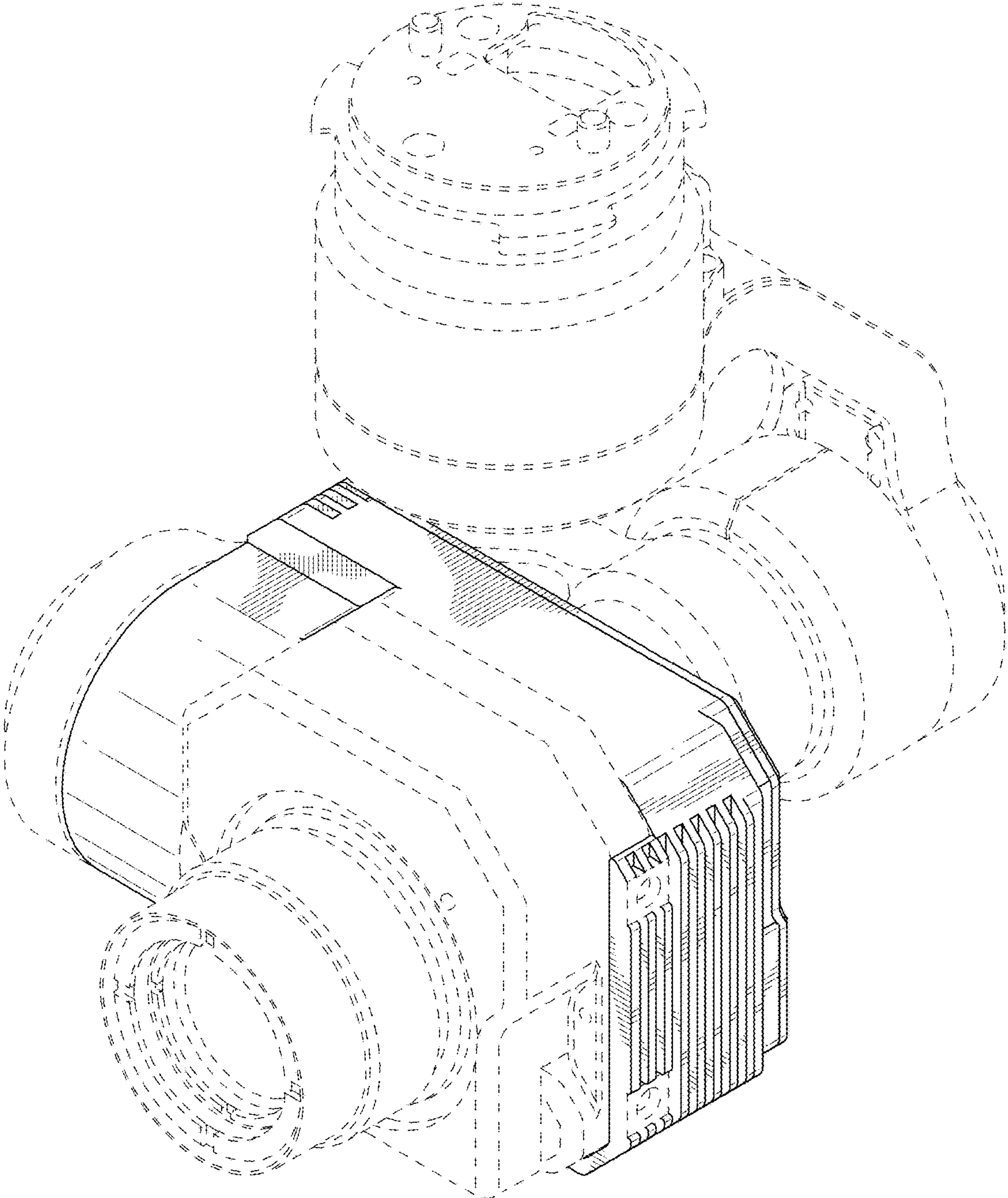


FIG. 8