



US00D780825S

(12) **United States Design Patent**
Kim

(10) **Patent No.:** **US D780,825 S**
(45) **Date of Patent:** **** Mar. 7, 2017**

(54) **WIRELESS WEARABLE GIMBAL**

(71) Applicant: **ESSEL-T CO., LTD.**, Seongnma-si (KR)

(72) Inventor: **Shin Ho Kim**, Seongnam-si (KR)

(73) Assignee: **ESSEL-T CO., LTD.**, Seongnam-si (KR)

(**) Term: **15 Years**

(21) Appl. No.: **29/539,141**

(22) Filed: **Sep. 11, 2015**

(51) **LOC (10) Cl.** **16-05**

(52) **U.S. Cl.**
USPC **D16/242**; D10/103; D14/251

(58) **Field of Classification Search**
USPC D10/74, 103; D14/217, 251, 447;
D16/219, 235, 242, 243, 245
CPC F16M 11/041; F16M 11/105; F16M 11/18;
F16M 11/2014; F16M 11/2021; F16M
11/06; F16M 11/08; F16M 11/10; F16M
11/20; F16M 11/2007; F16M 11/2028;
F16M 11/2035; F16M 2200/08; F16M
13/04; F16M 13/02

See application file for complete search history.

(56) **References Cited**

U.S. PATENT DOCUMENTS

9,106,816 B1 * 8/2015 Hotter H04N 5/2252
9,411,214 B2 * 8/2016 Roberts G03B 17/561

* cited by examiner

Primary Examiner — Antoine D Davis

(74) *Attorney, Agent, or Firm* — NSIP Law

(57) **CLAIM**

I claim the ornamental design for a wireless wearable gimbal, as shown and described.

DESCRIPTION

FIG. 1 is a front perspective view of a wireless wearable gimbal showing my new design;
FIG. 2 is a front view thereof;
FIG. 3 is a rear view thereof;
FIG. 4 is a left-side view thereof;
FIG. 5 is a right-side view thereof;
FIG. 6 is a top view thereof;
FIG. 7 is a bottom view thereof; and,
FIG. 8 is an exploded front perspective view thereof.

1 Claim, 8 Drawing Sheets

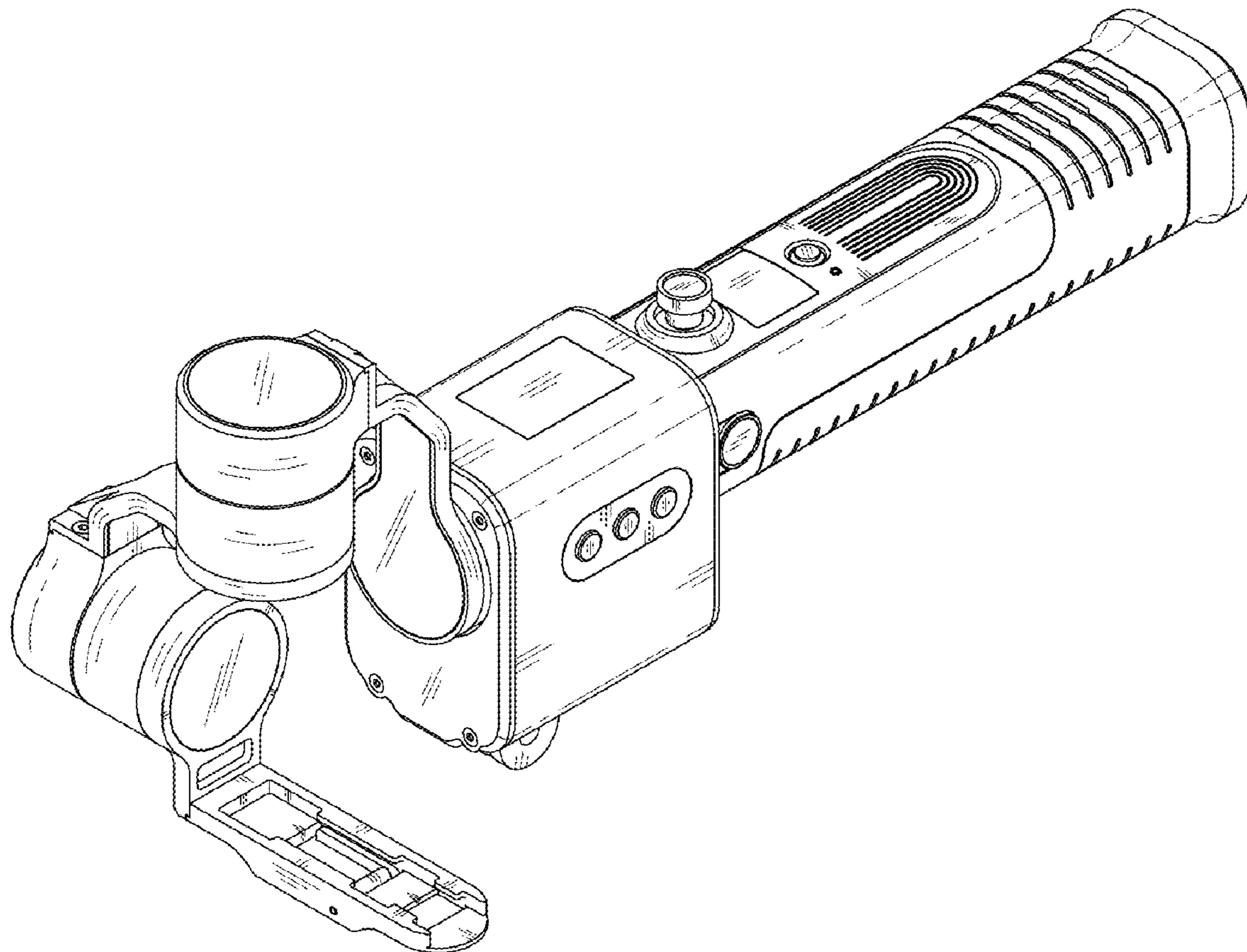


FIG. 1

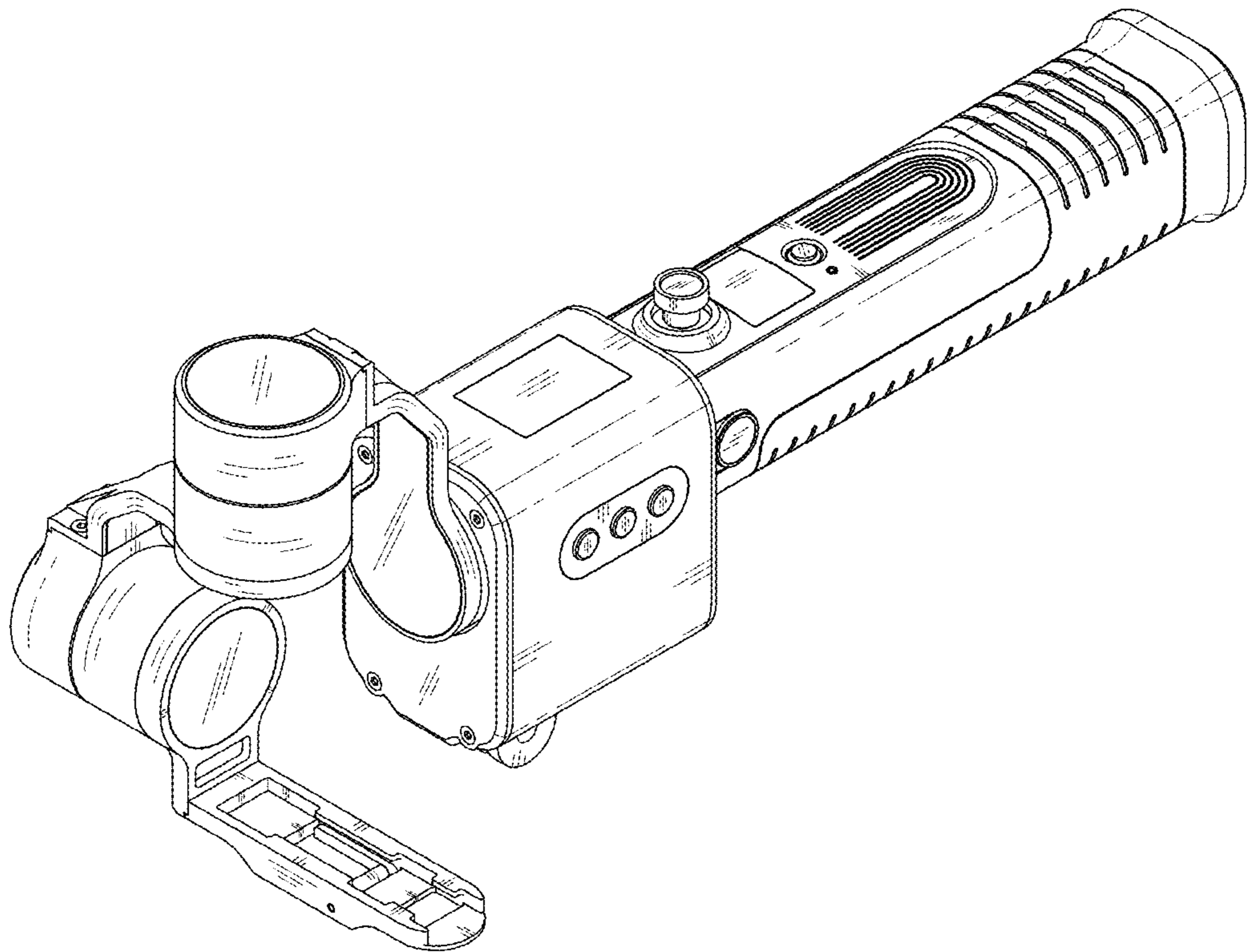


FIG. 2

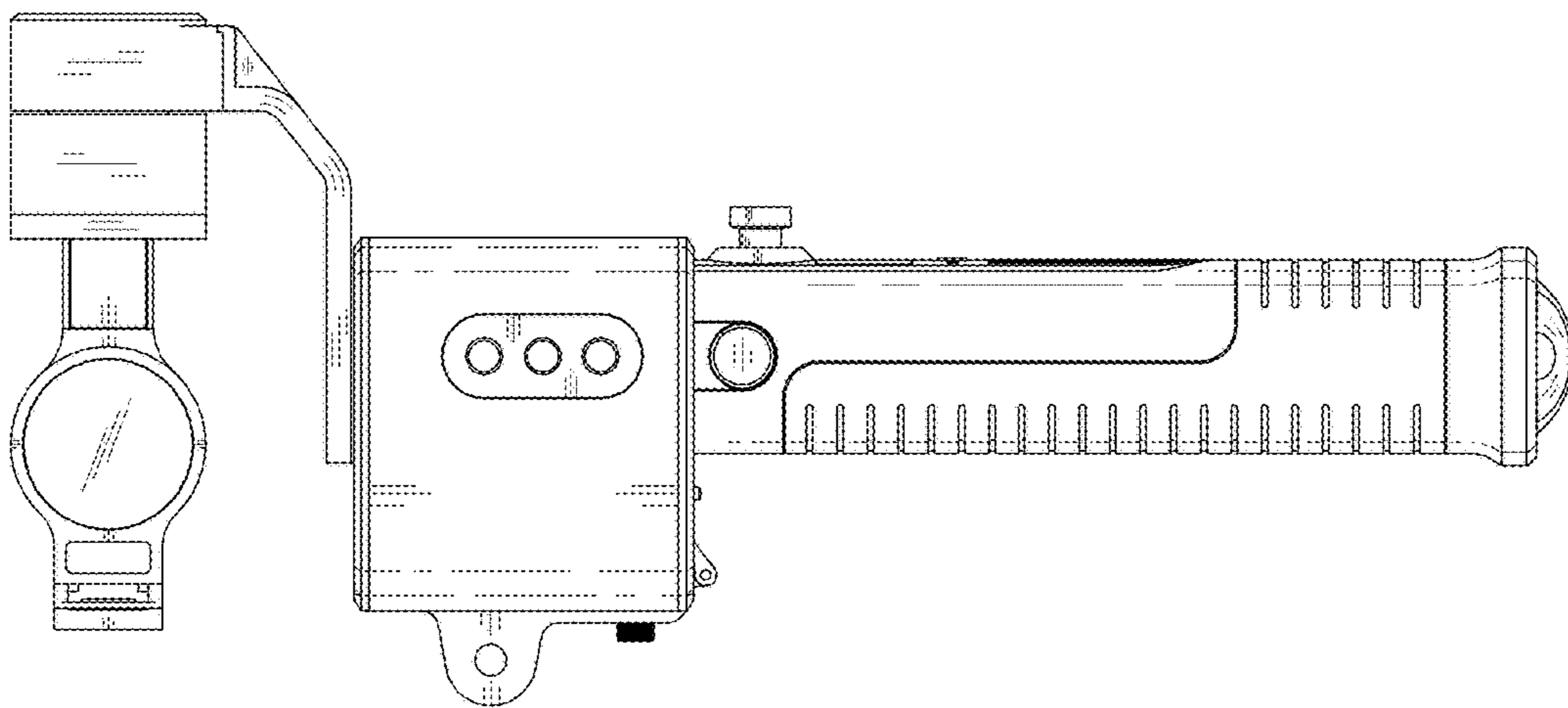


FIG. 3

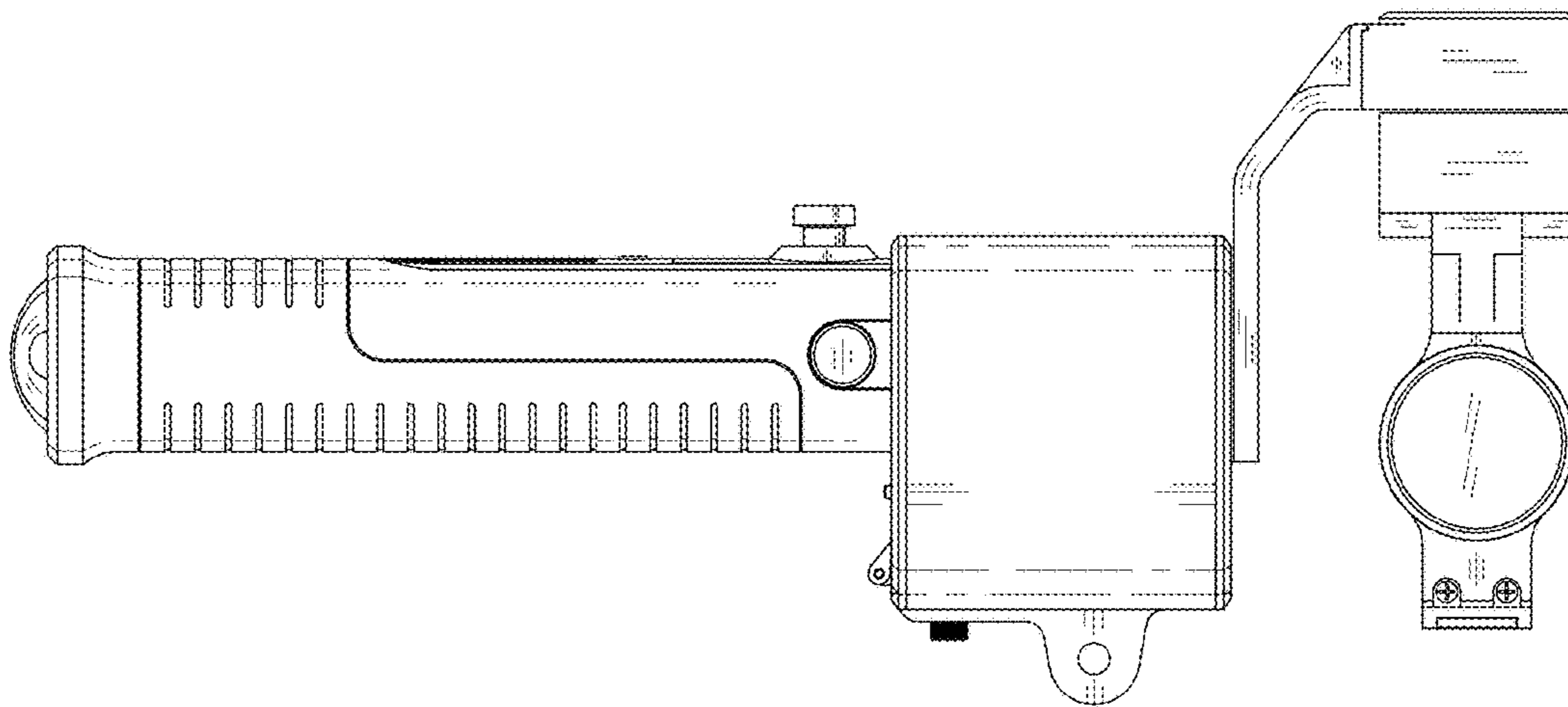


FIG. 4

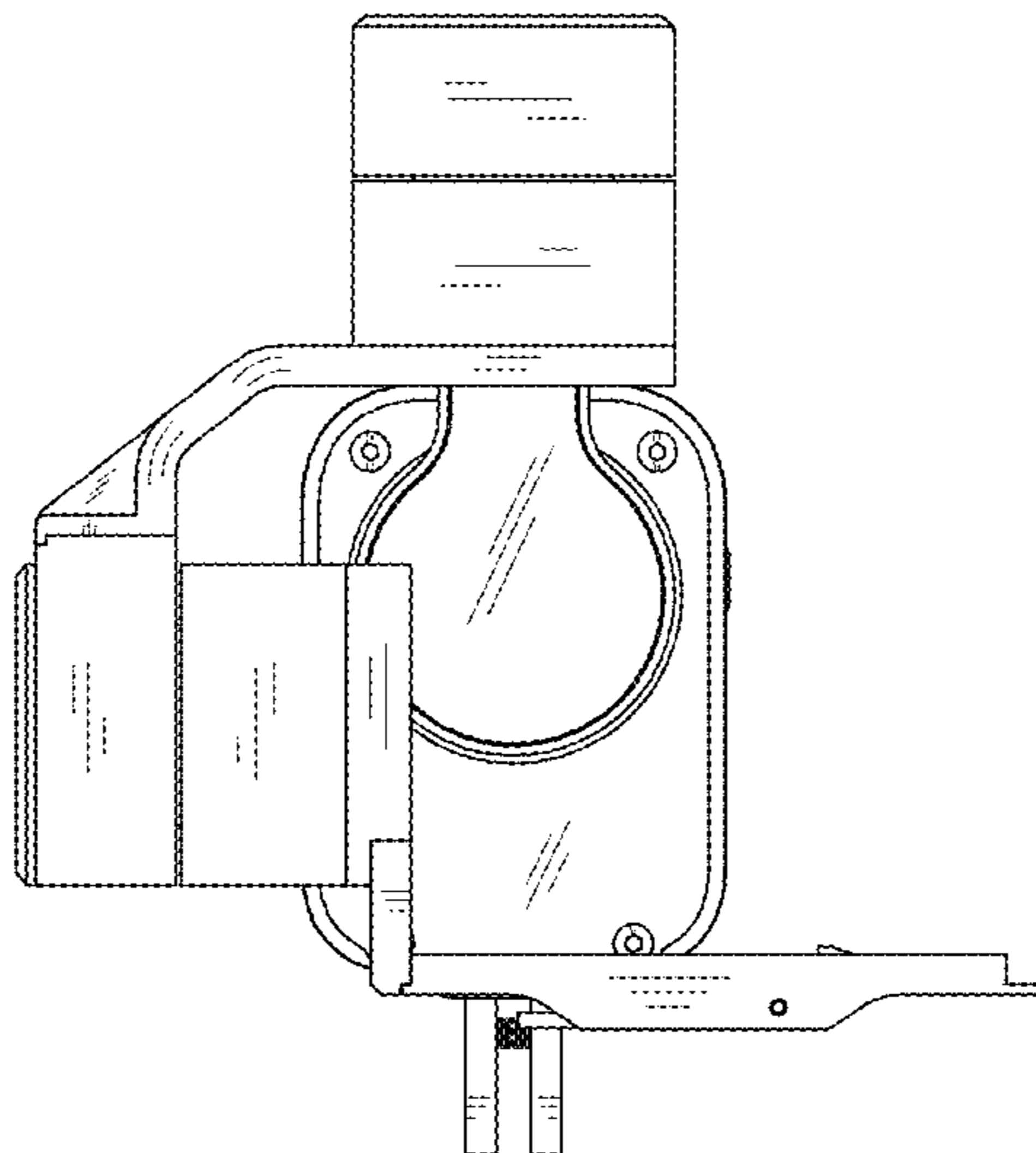


FIG. 5

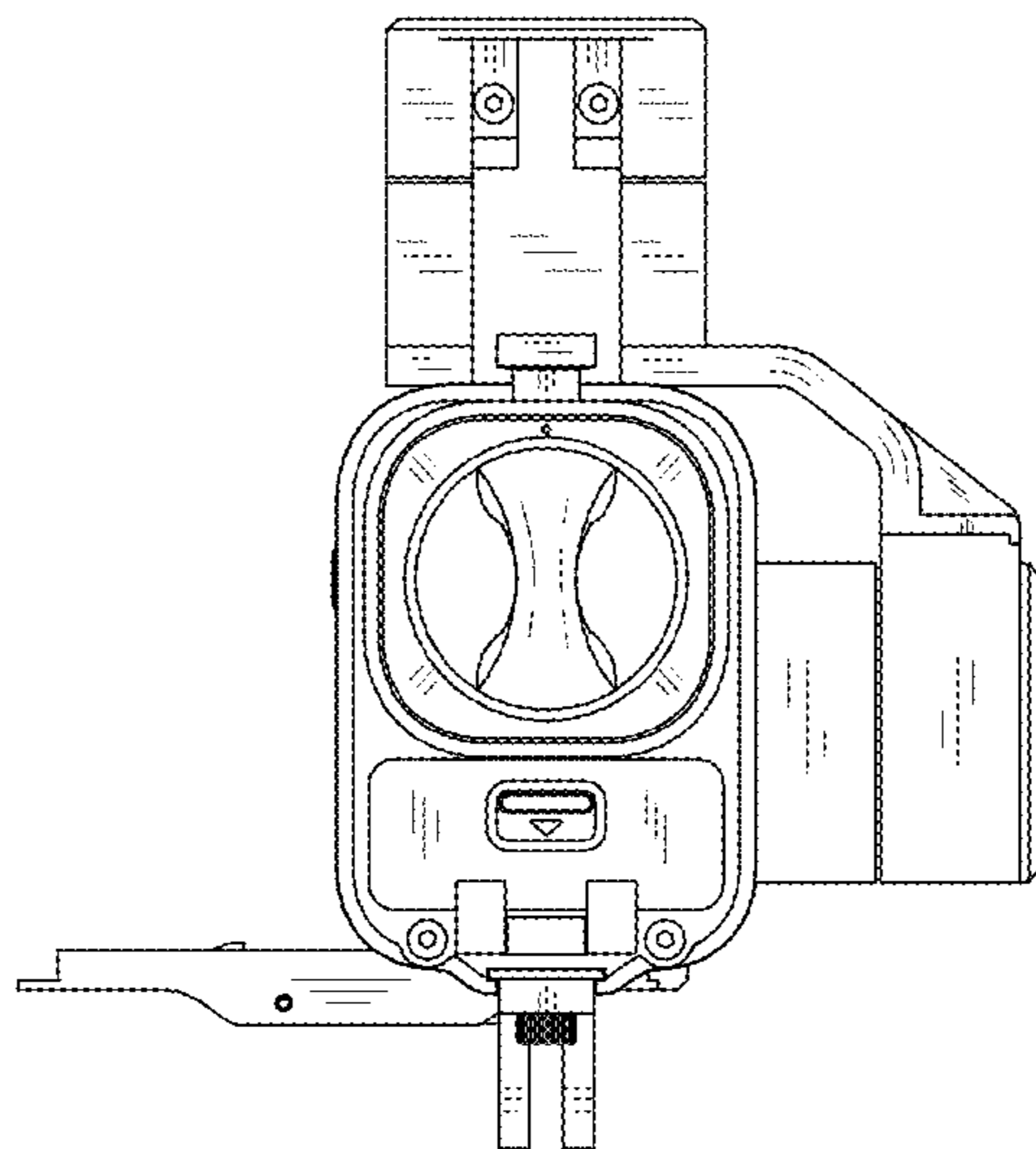


FIG. 6

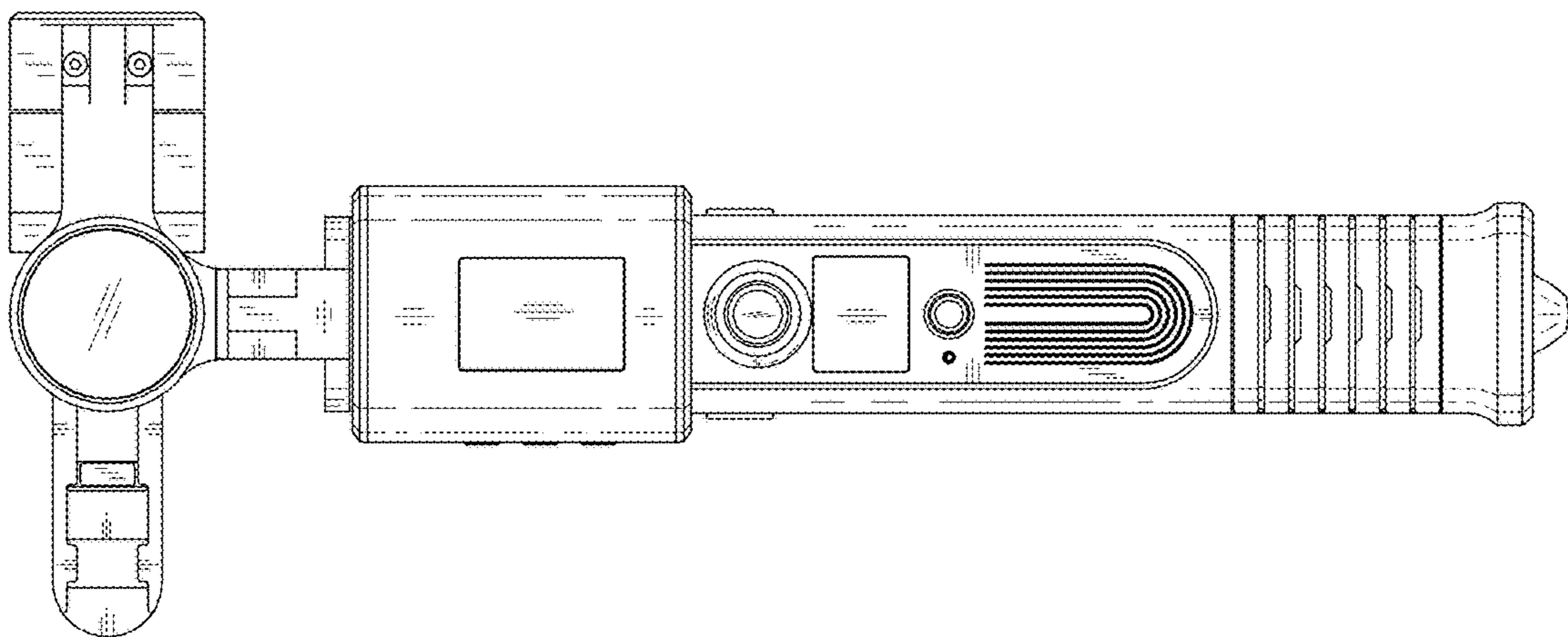


FIG. 7

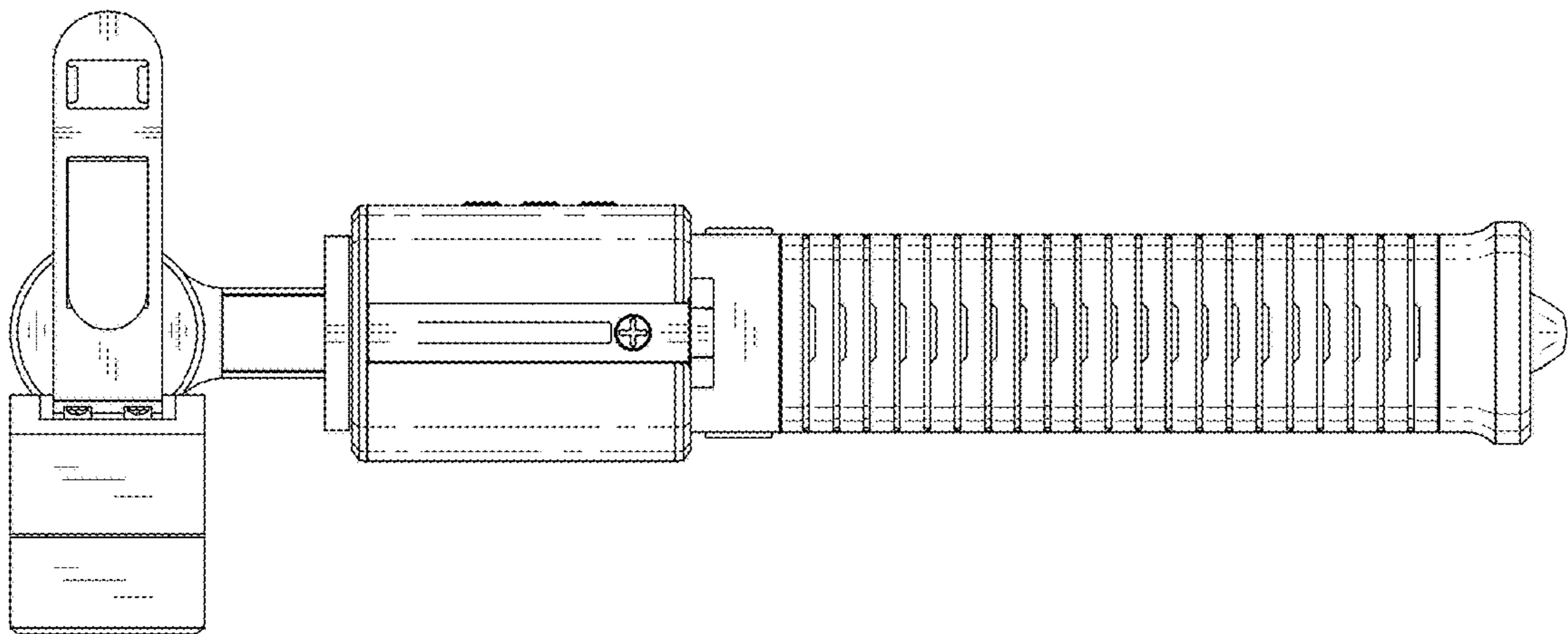


FIG. 8

