



US00D780824S

(12) **United States Design Patent**
Li

(10) **Patent No.:** **US D780,824 S**
(45) **Date of Patent:** **** Mar. 7, 2017**

(54) **TRANSFER DOCKING STATION FOR A PORTABLE CAMERA**

(71) Applicant: **Getac Technology Corporation**,
Hsinchu County (TW)

(72) Inventor: **Chun-Hsing Li**, Taipei (TW)

(73) Assignee: **GETAC TECHNOLOGY CORPORATION**, Hsinchu County (TW)

(**) Term: **15 Years**

(21) Appl. No.: **29/550,259**

(22) Filed: **Dec. 31, 2015**

(51) **LOC (10) Cl.** **16-05**

(52) **U.S. Cl.**
USPC **D16/237; D14/434**

(58) **Field of Classification Search**
USPC D16/200, 204, 219, 237–250; D14/251,
D14/434
CPC G03B 17/56; G03B 17/561–17/568; G02B
7/00–7/002
See application file for complete search history.

(56) **References Cited**

U.S. PATENT DOCUMENTS

D289,996 S *	5/1987	Oord	D13/108
D420,989 S *	2/2000	Sandhu	D14/447
D460,971 S *	7/2002	Sica	D14/434
D468,685 S *	1/2003	Jacobs	D13/107
D474,737 S *	5/2003	Yoshida	D13/108
D501,205 S *	1/2005	Quinn	D14/253

(Continued)

Primary Examiner — Vy Koenig
Assistant Examiner — Omeed Agilee

(74) *Attorney, Agent, or Firm* — Locke Lord LLP; Tim Tingkang Xia, Esq.

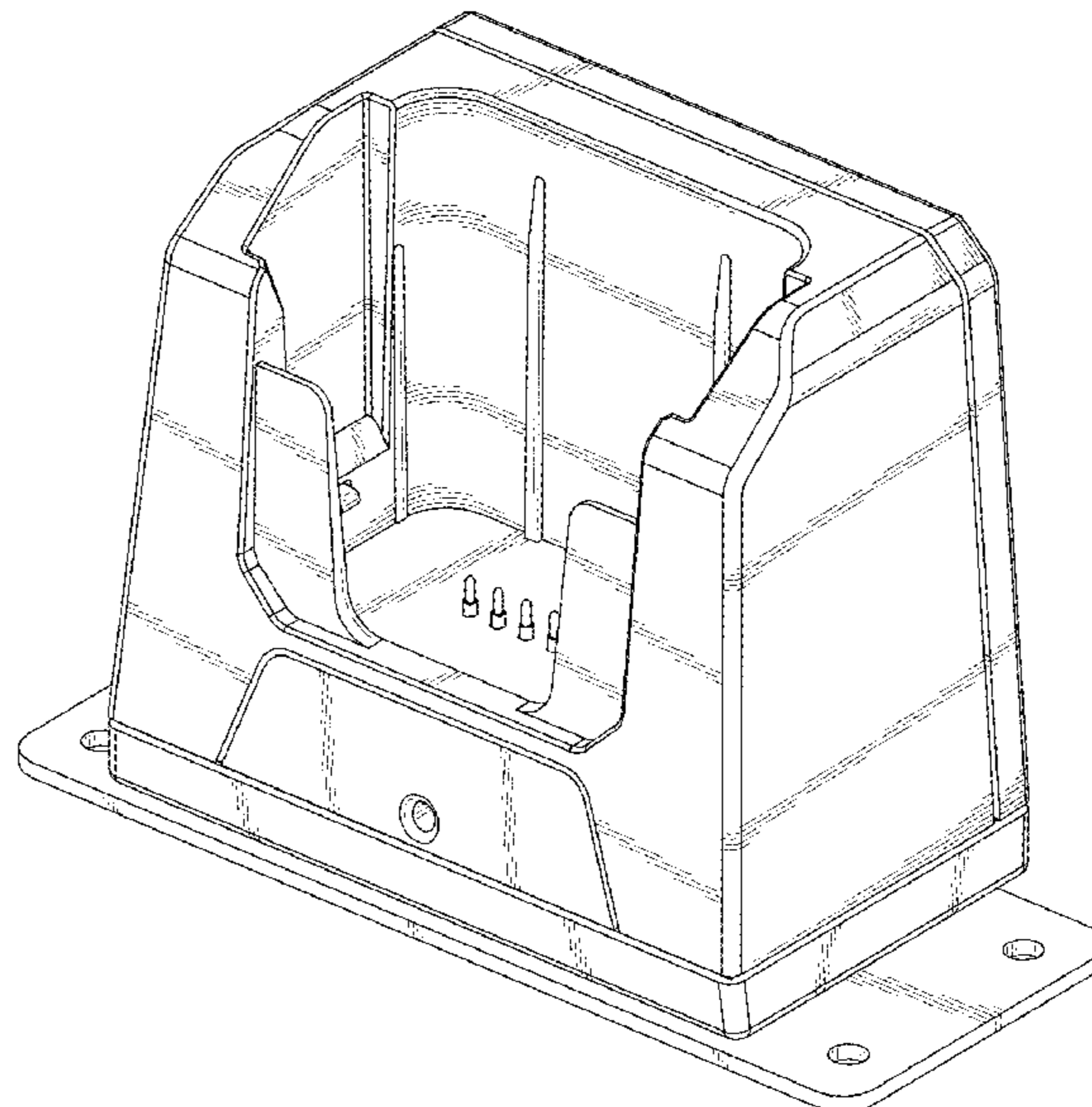
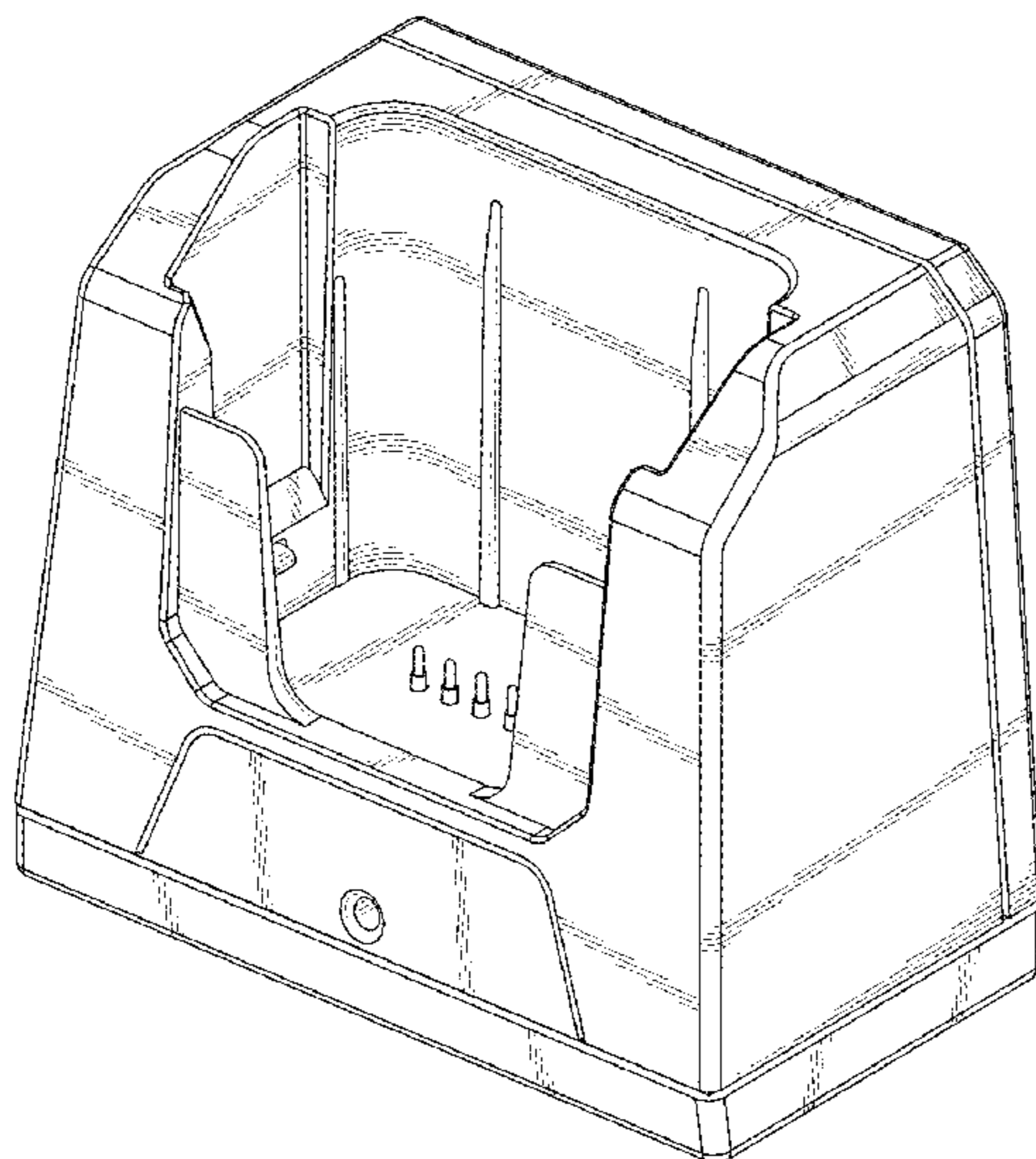
(57) **CLAIM**

The ornamental design for a transfer docking station for a portable camera, as shown and described.

DESCRIPTION

FIG. 1 is a top front right perspective view showing a first embodiment of my new design;
FIG. 2 is a bottom rear right perspective view of the first embodiment of my new design;
FIG. 3 is a front view of the first embodiment of my new design;
FIG. 4 is a rear view of the first embodiment of my new design;
FIG. 5 is a left side view of the first embodiment of my new design;
FIG. 6 is a right side view of the first embodiment of my new design;
FIG. 7 is a top view of the first embodiment of my new design;
FIG. 8 is a bottom view of the first embodiment of my new design;
FIG. 9 is a top front left perspective view showing a second embodiment of my new design;
FIG. 10 is a bottom rear right perspective view of the second embodiment of my new design;
FIG. 11 is a front view of the second embodiment of my new design;
FIG. 12 is a rear view of the second embodiment of my new design;
FIG. 13 is a left side view of the second embodiment of my new design;
FIG. 14 is a right side view of the second embodiment of my new design;
FIG. 15 is a top view of the second embodiment of my new design; and,
FIG. 16 is a bottom view of the second embodiment of my new design.

1 Claim, 14 Drawing Sheets



(56)

References Cited

U.S. PATENT DOCUMENTS

D514,576 S *	2/2006	Sung	D14/434
D533,499 S *	12/2006	Suzuki	D13/108
D536,360 S *	2/2007	Dayan	D14/126
D555,087 S *	11/2007	Brefka	D13/107
D557,207 S *	12/2007	Aguilar	D13/108
D584,731 S *	1/2009	Montgomery	D14/434
D595,722 S *	7/2009	Miyawaki	D14/253
D702,665 S *	4/2014	Kim	D14/217
D706,332 S *	6/2014	Ikegame	D16/237
D709,893 S *	7/2014	Sale	D14/434
D751,079 S *	3/2016	Skjoldborg	D14/434
D751,561 S *	3/2016	Guthrie	D14/434

* cited by examiner

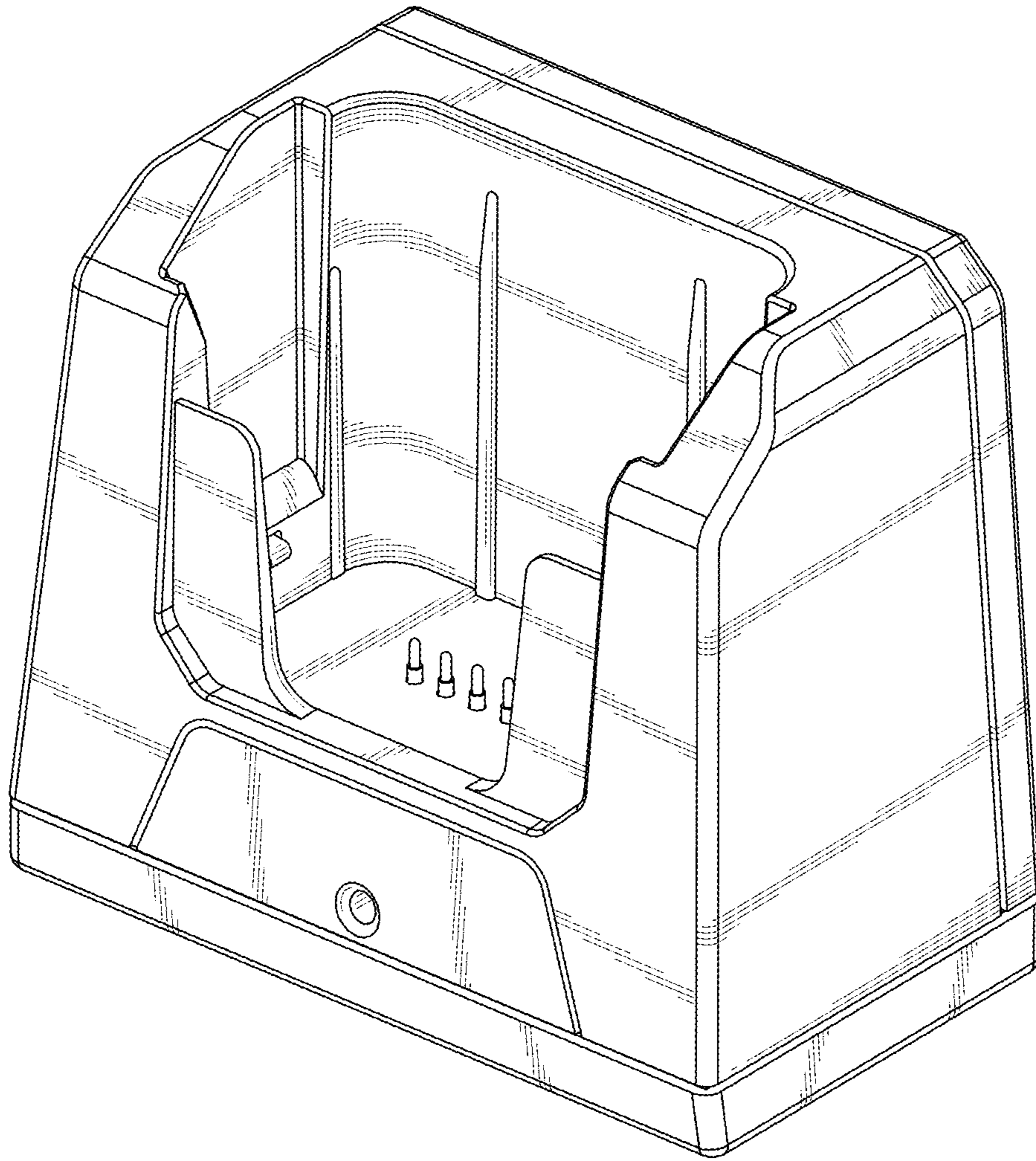


FIG. 1

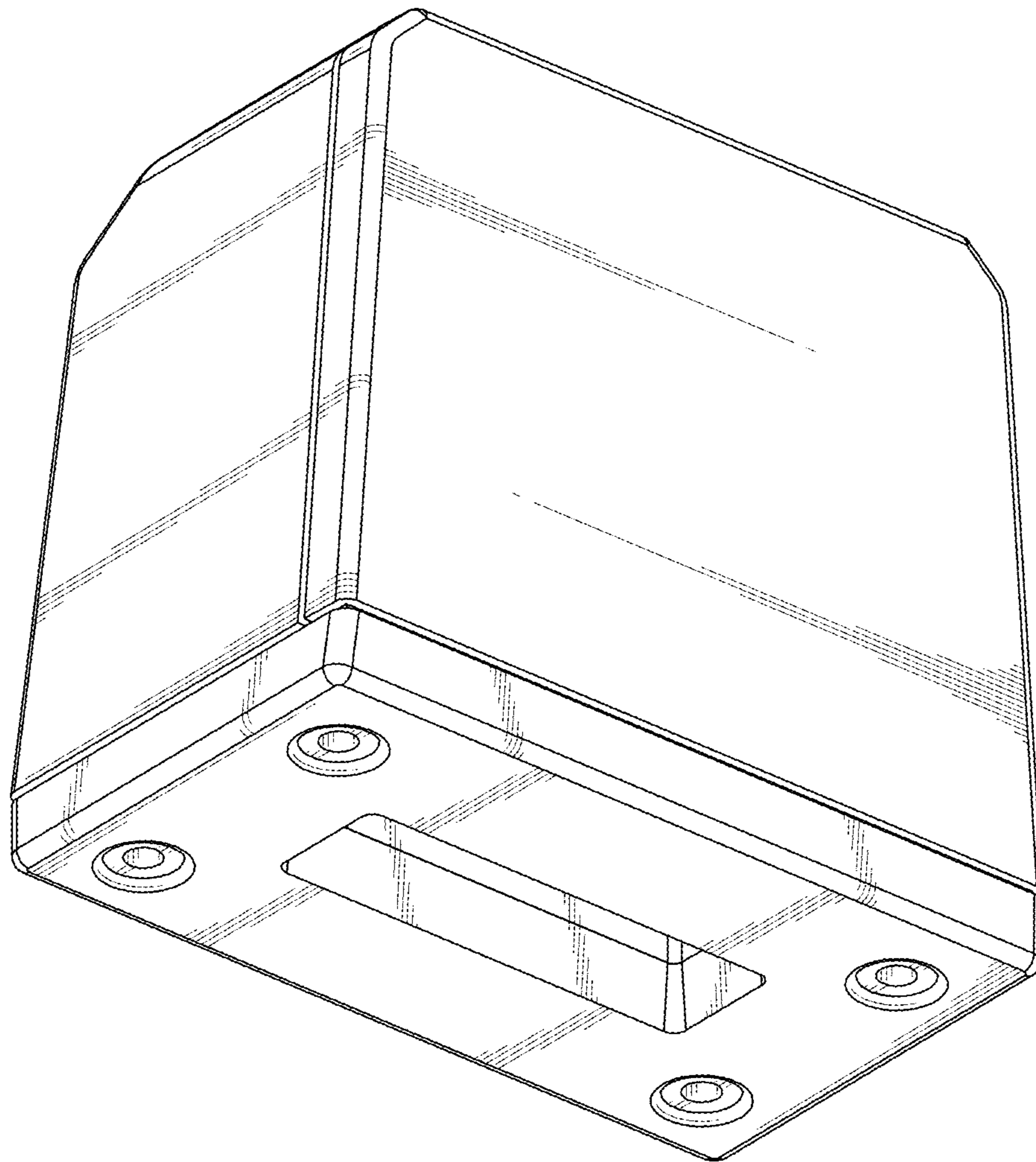


FIG. 2

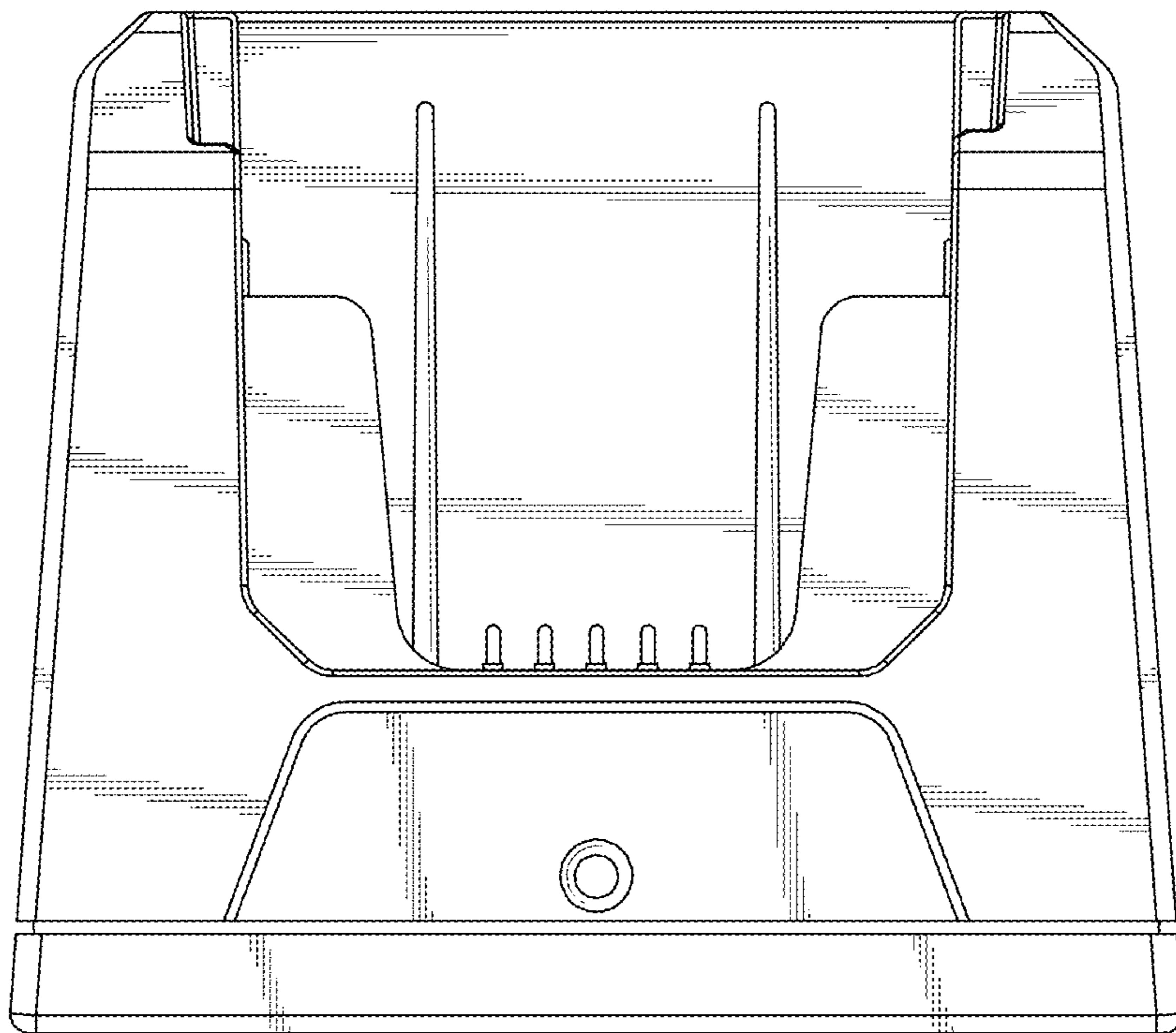


FIG. 3

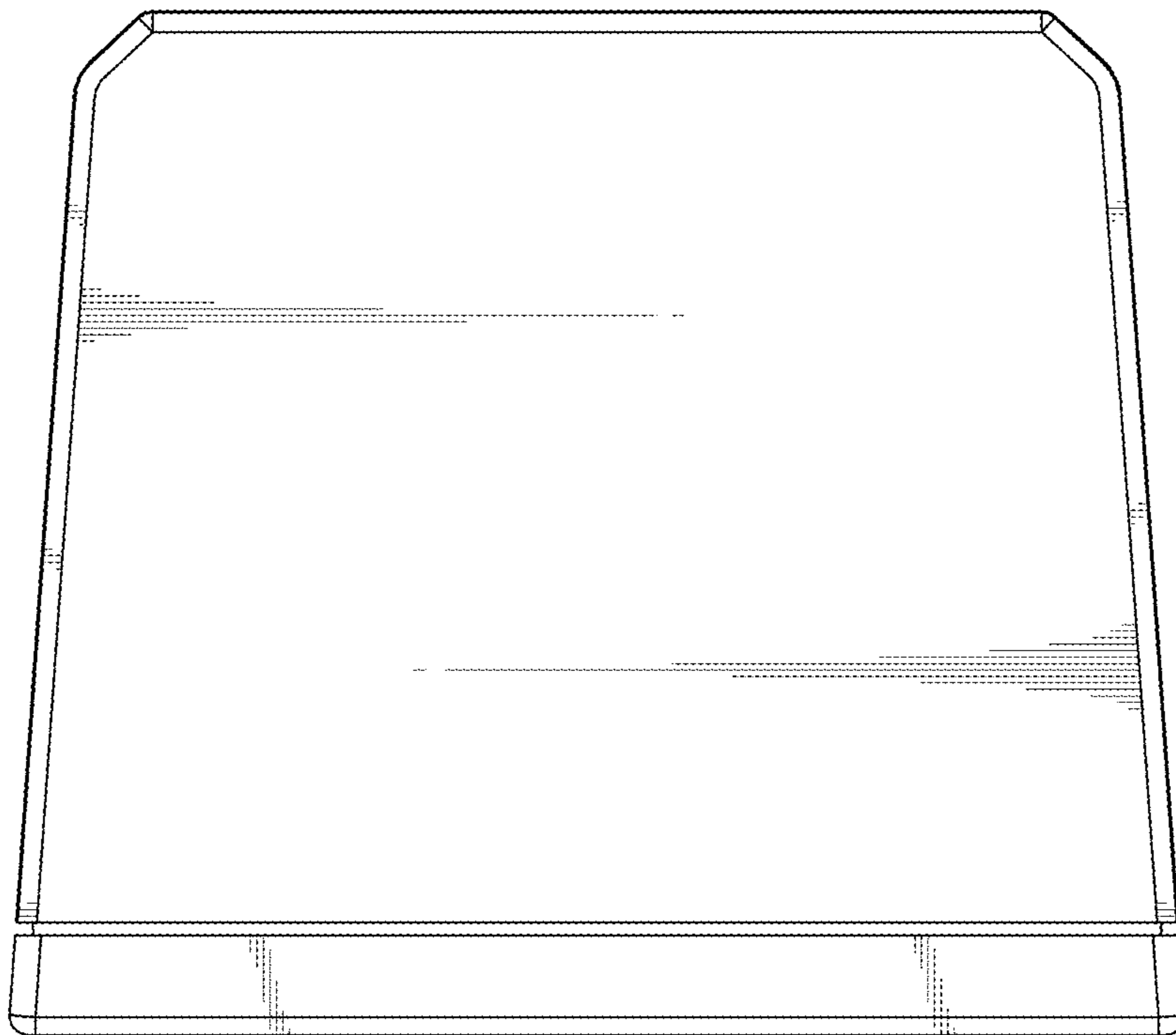


FIG. 4

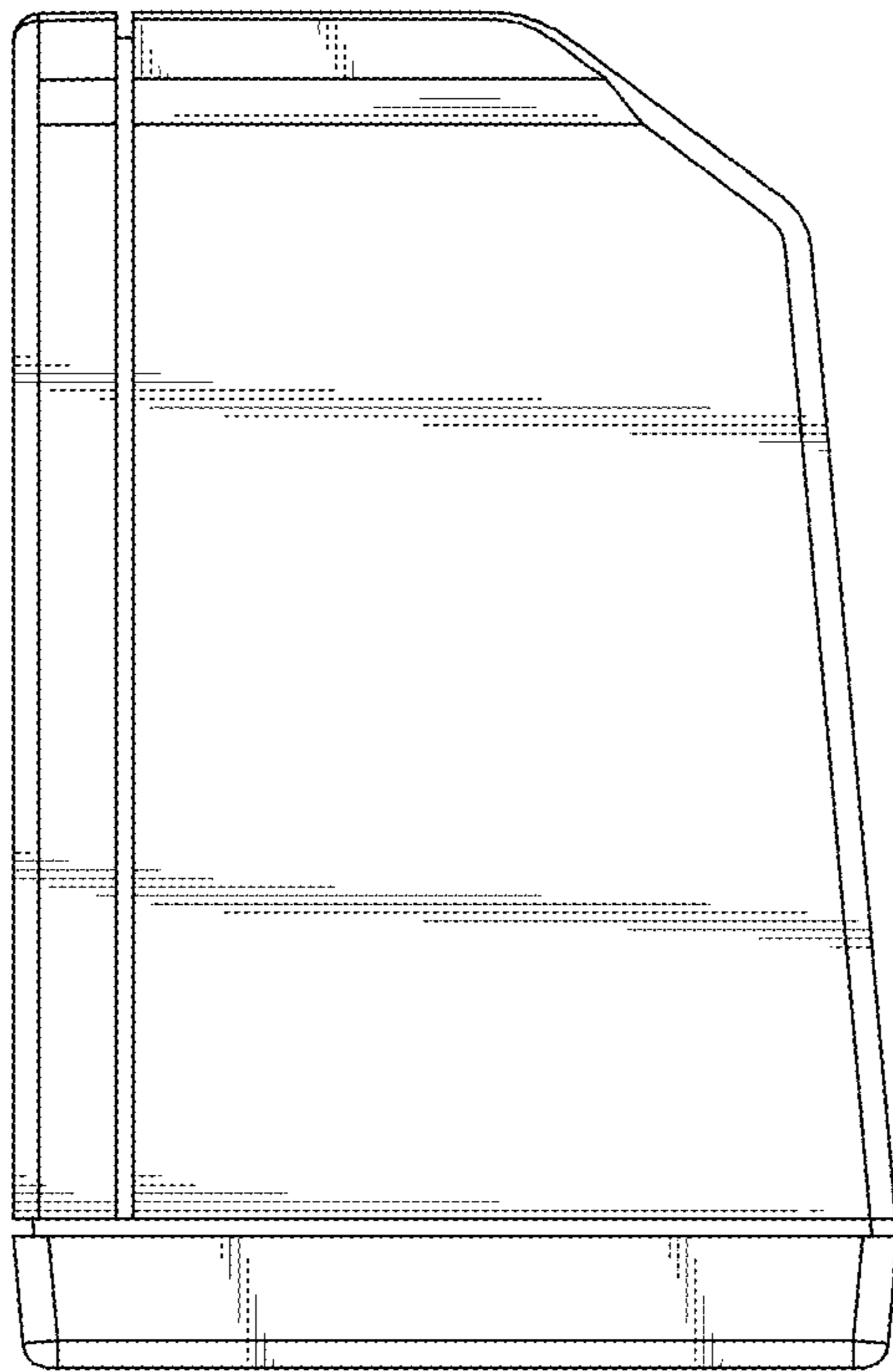


FIG. 5

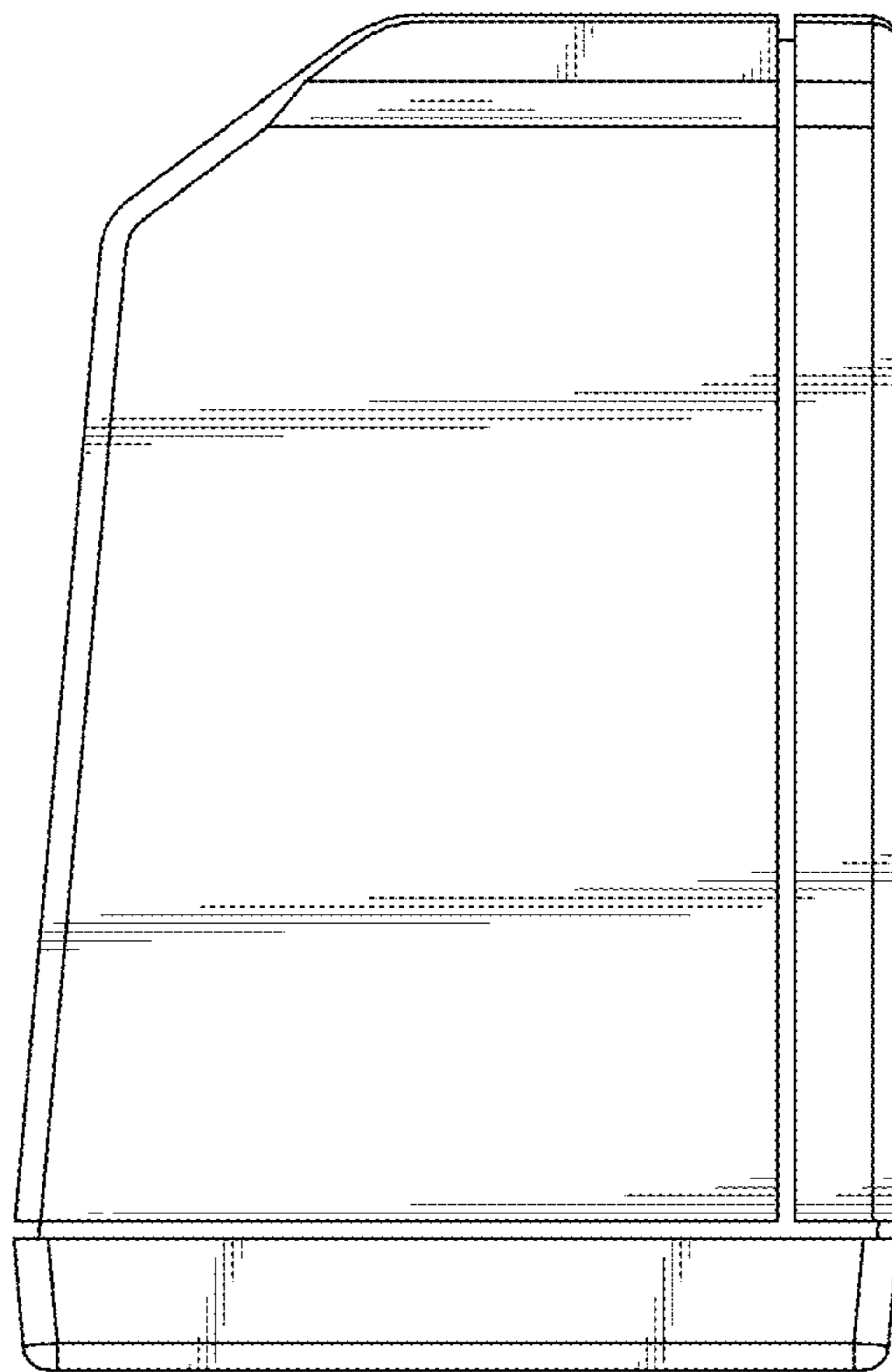


FIG. 6

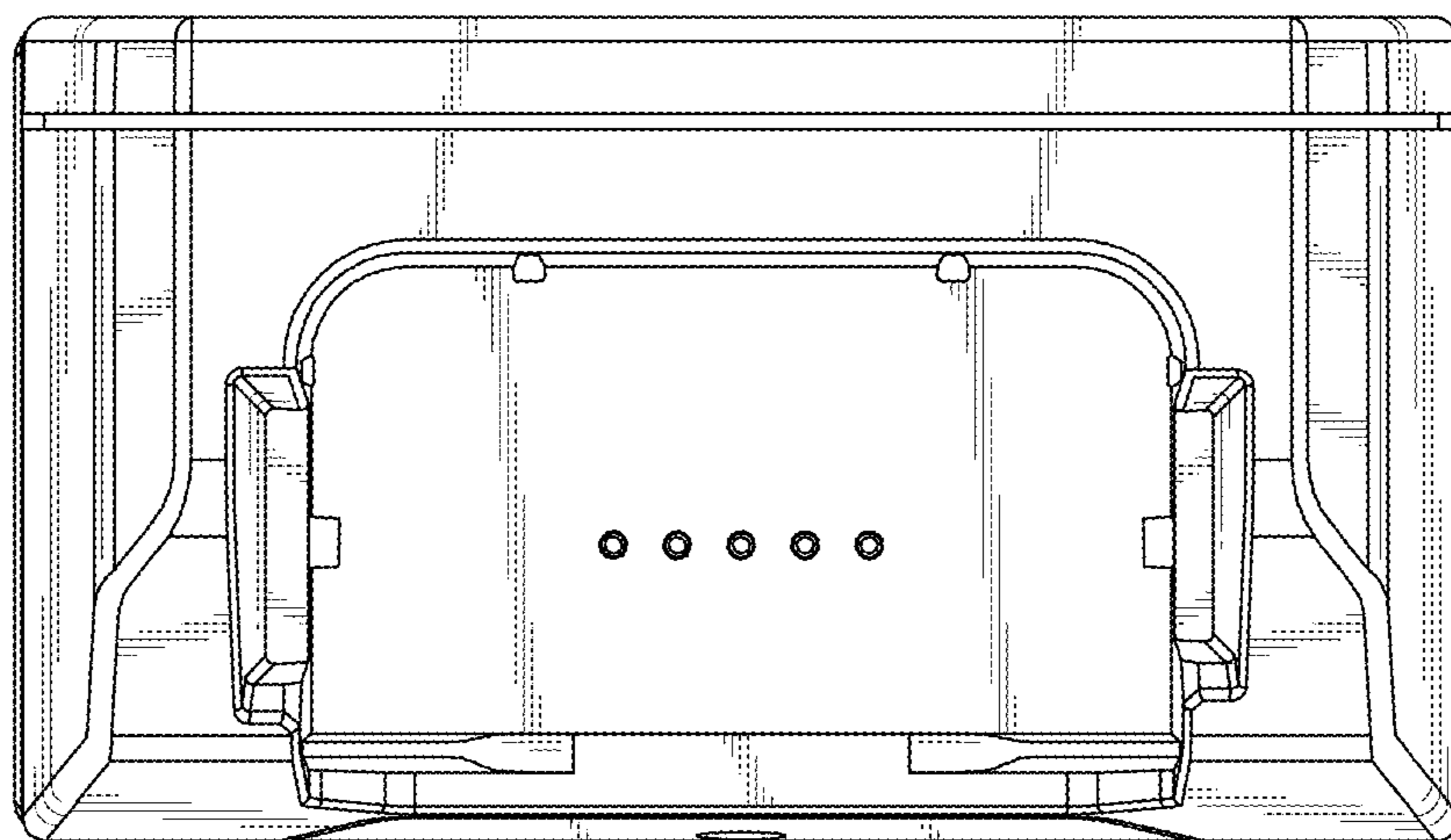


FIG. 7

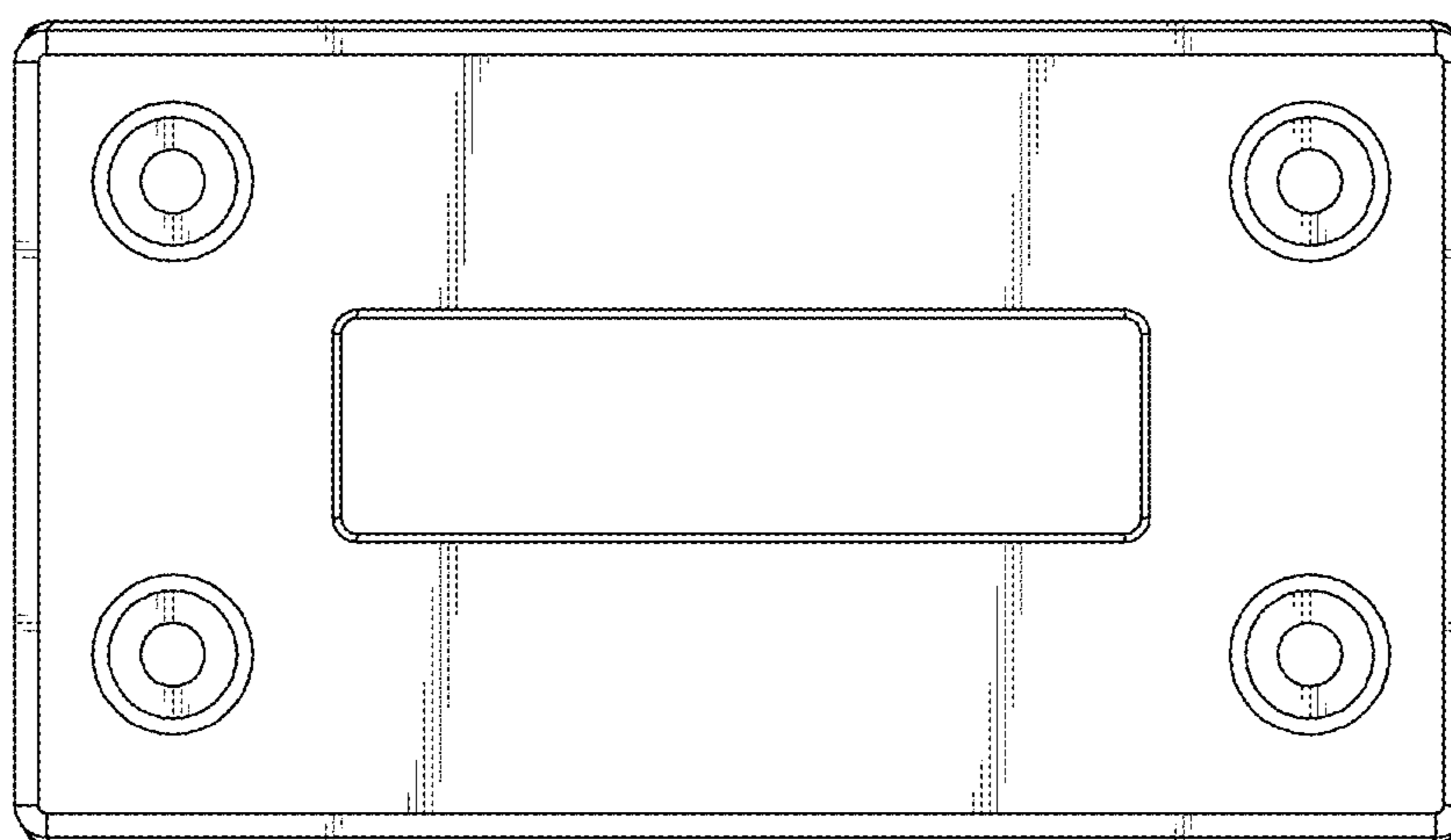


FIG. 8

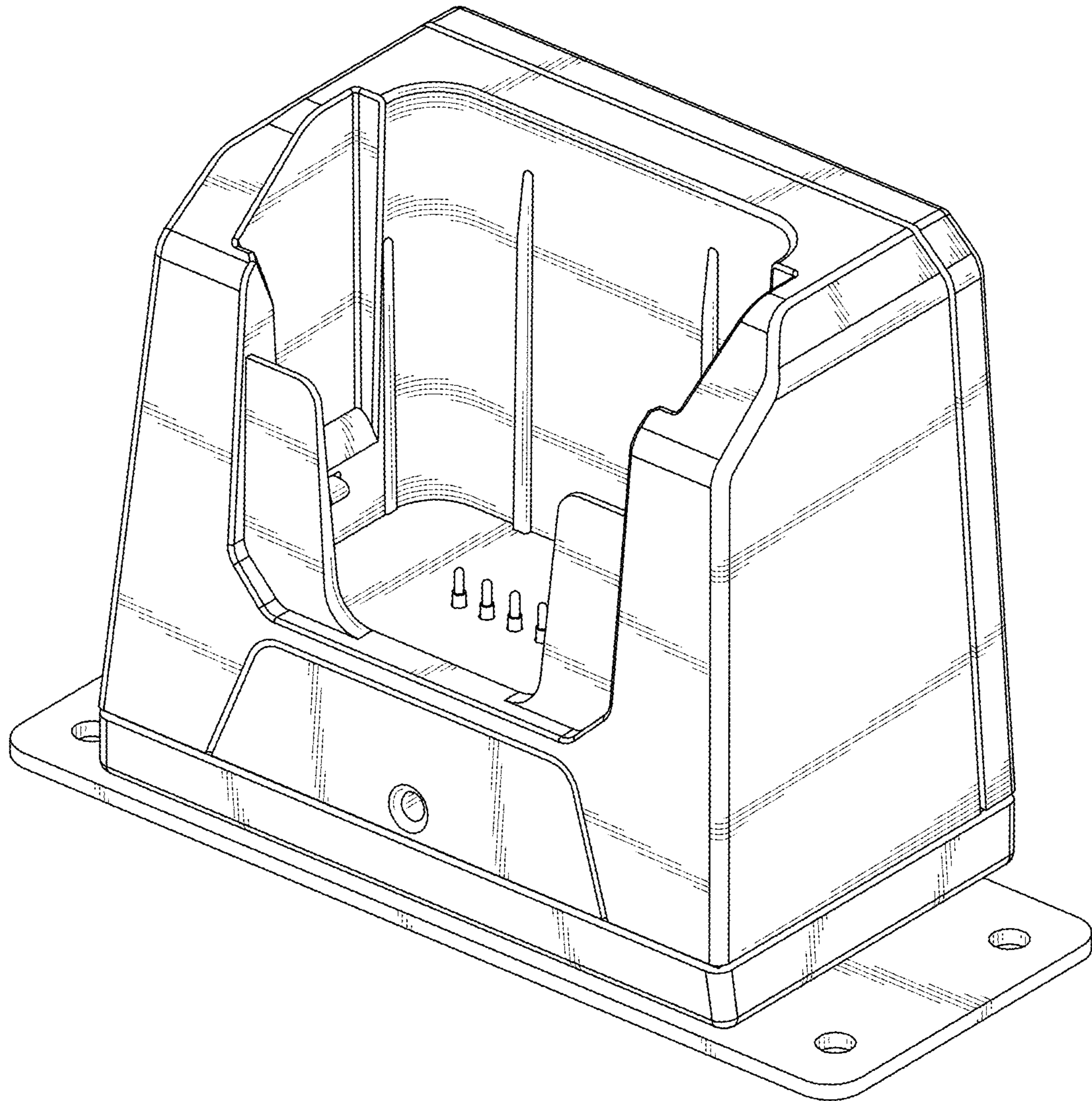


FIG. 9

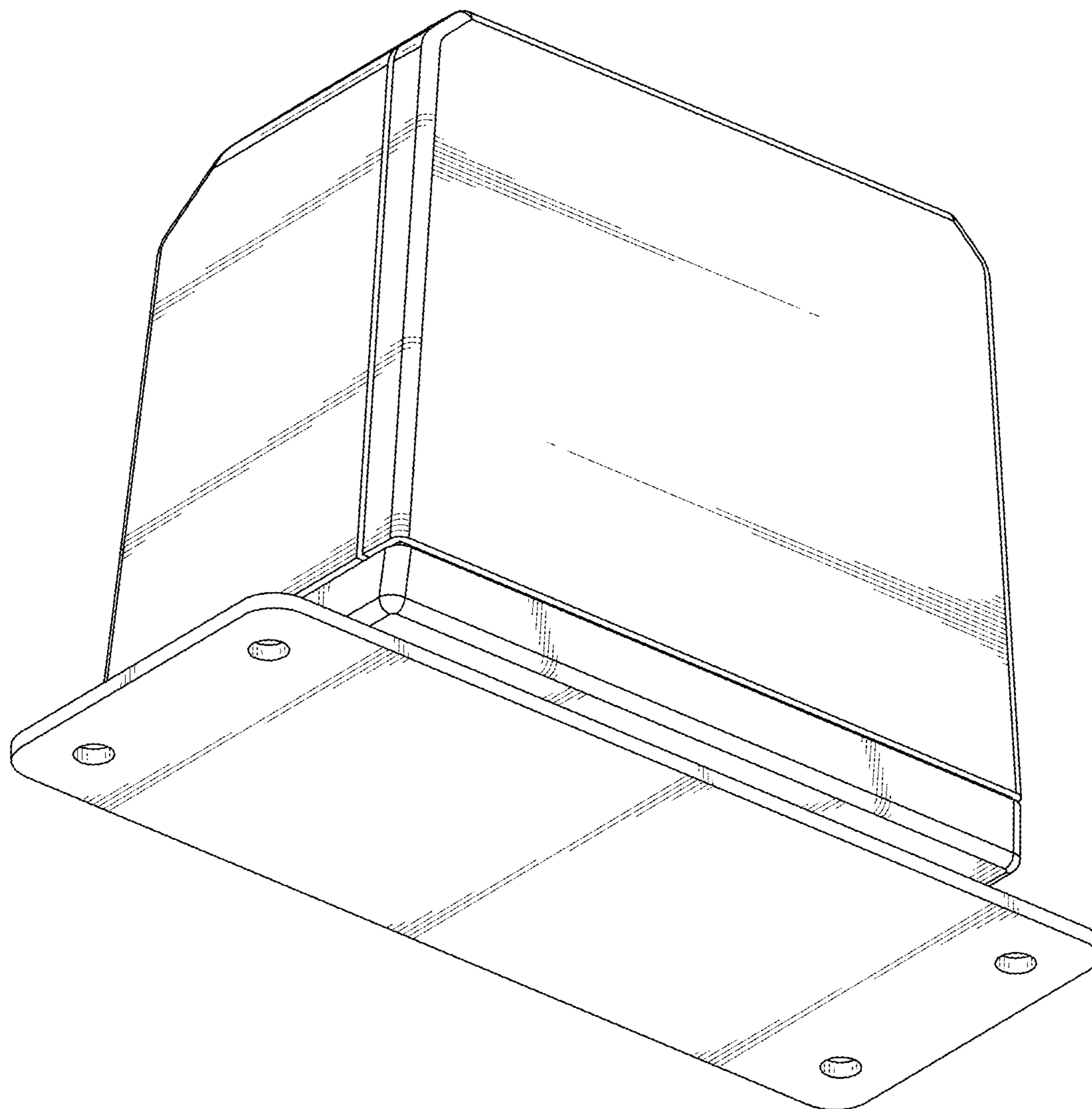


FIG. 10

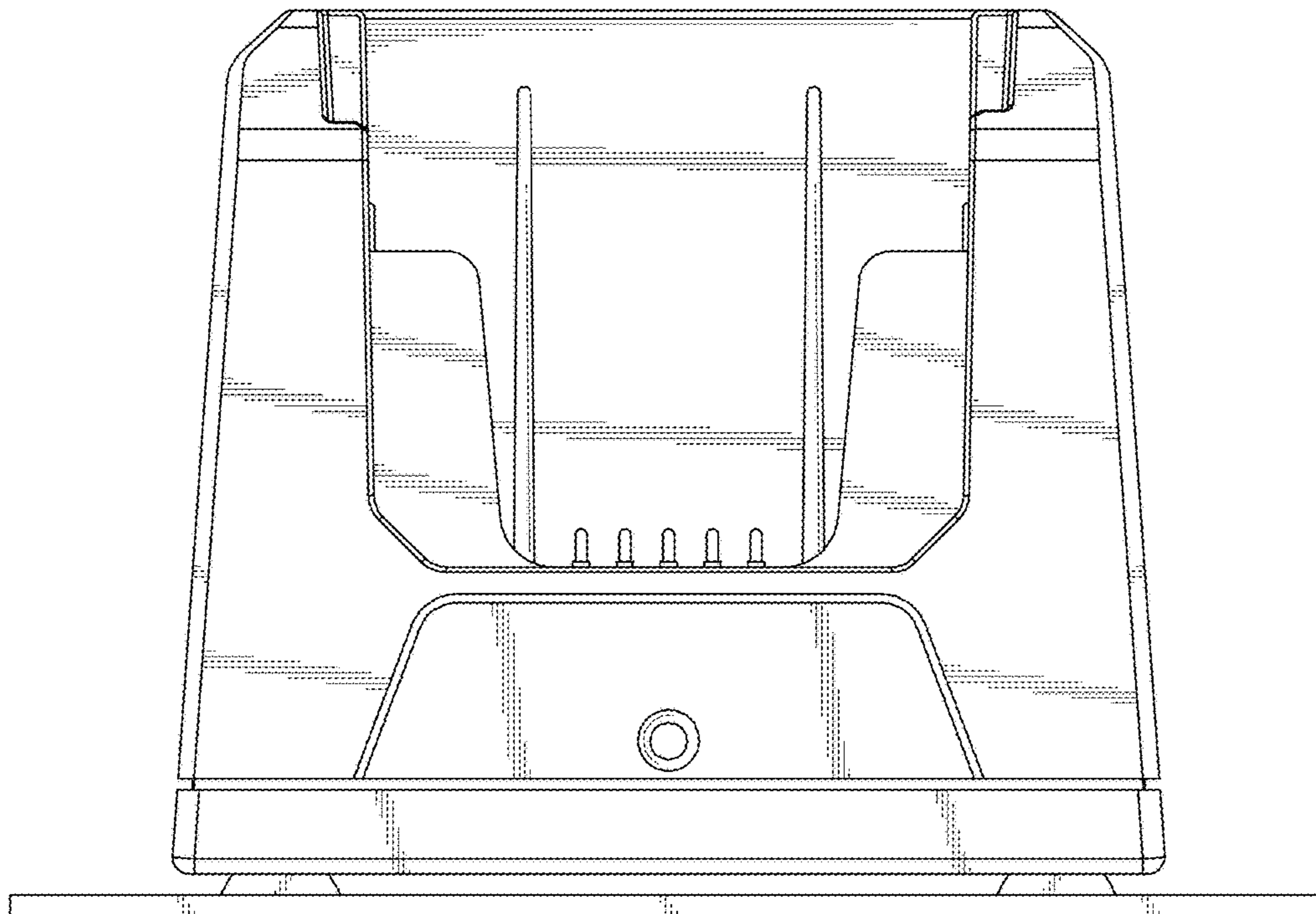


FIG. 11

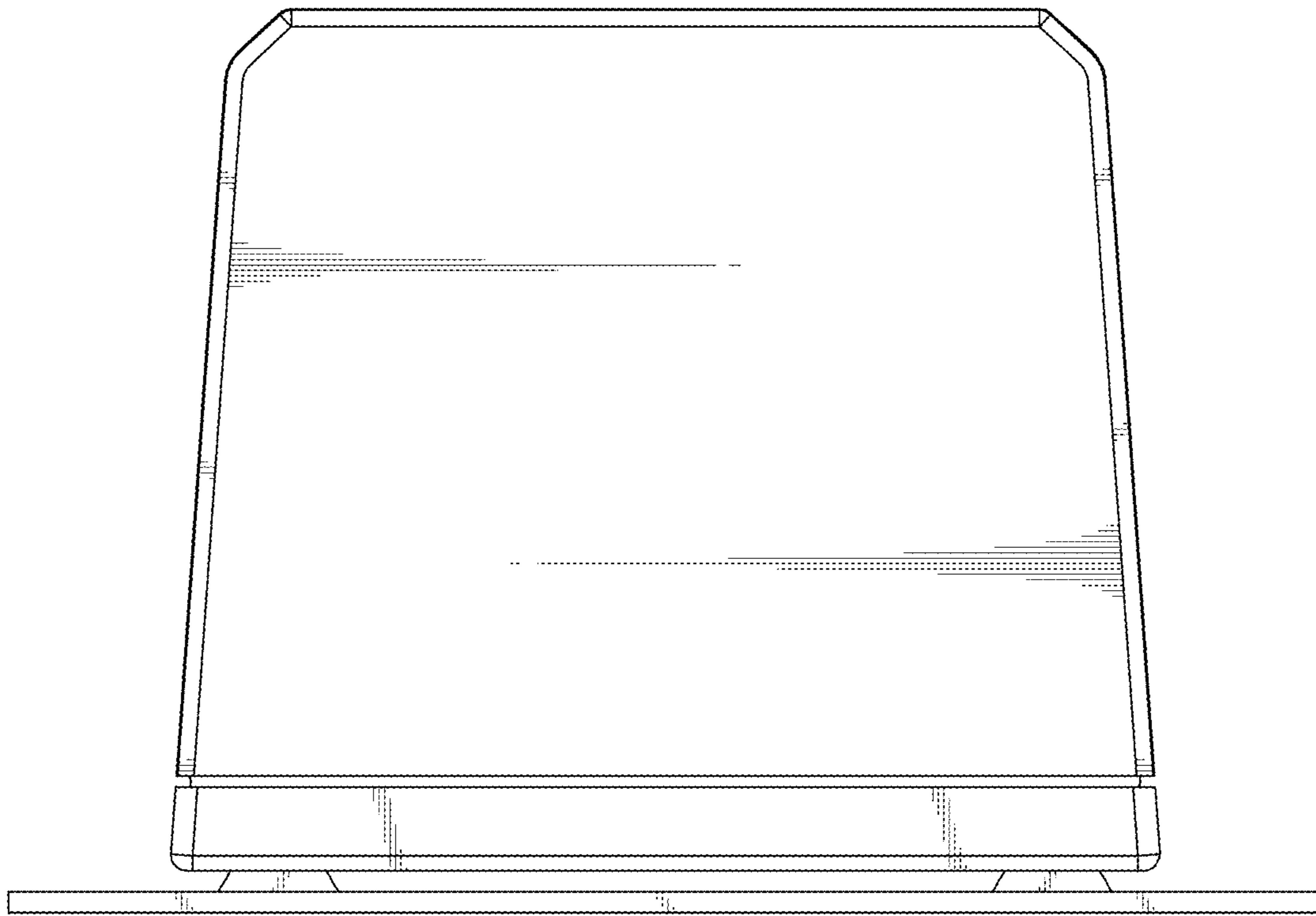


FIG. 12

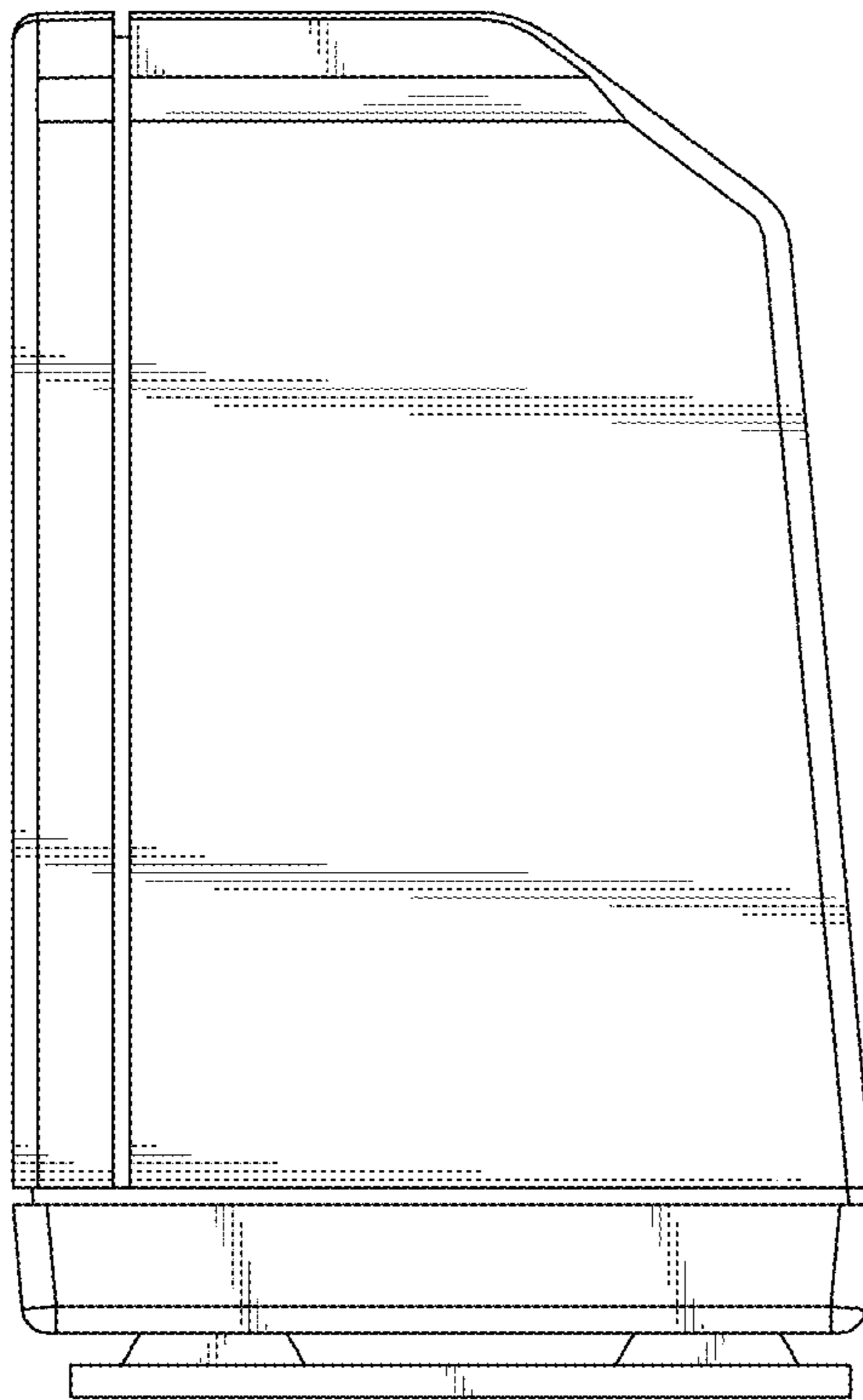


FIG. 13

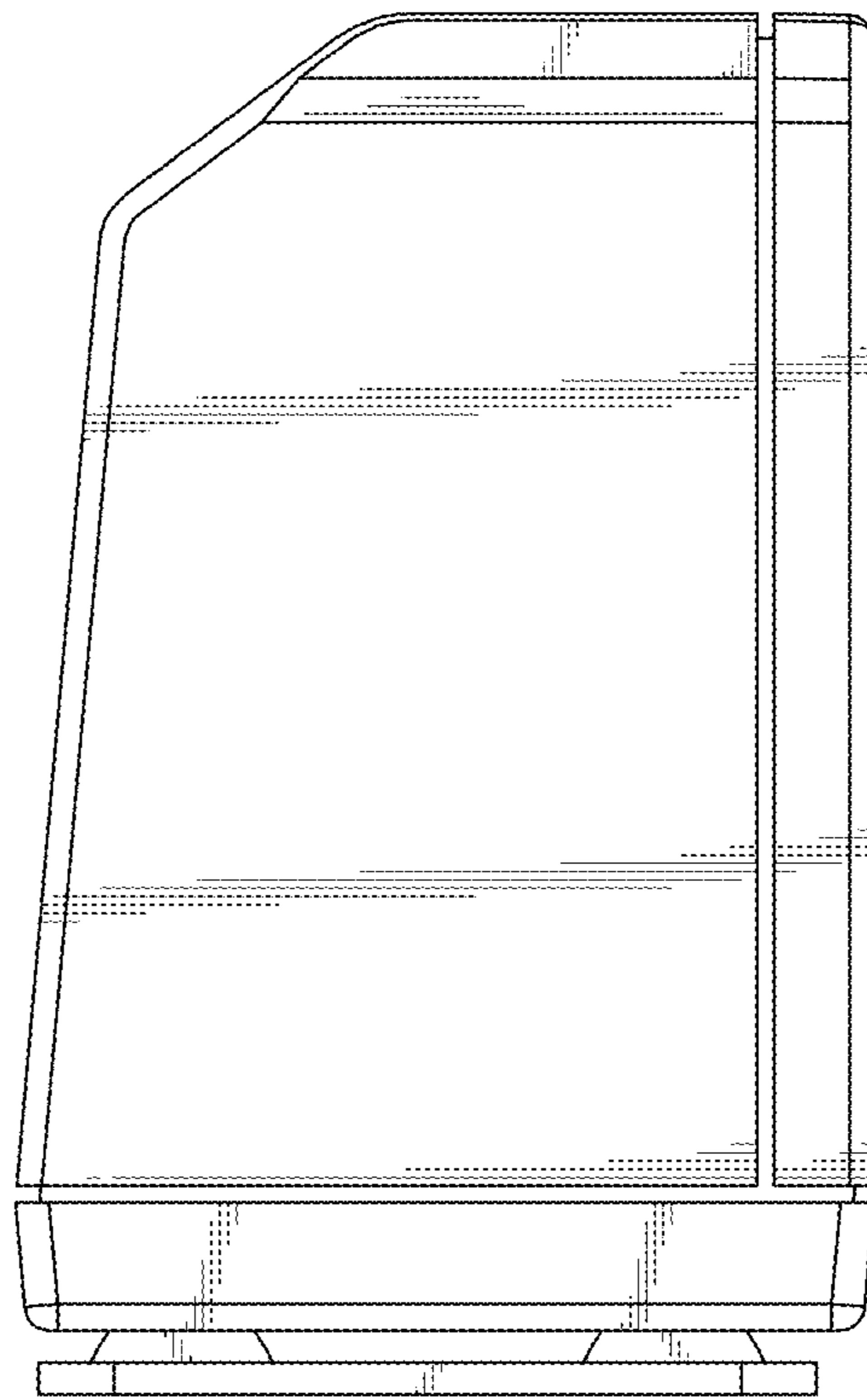


FIG. 14

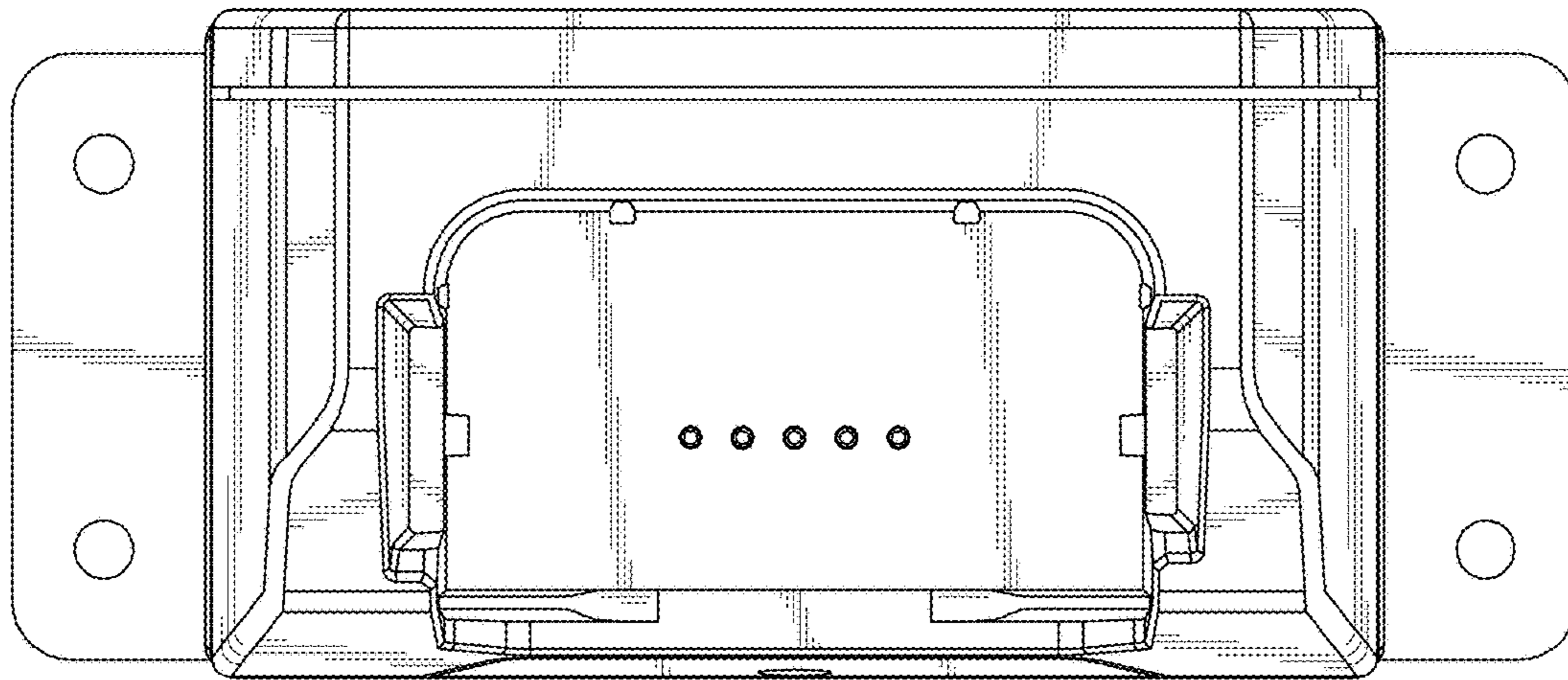


FIG. 15

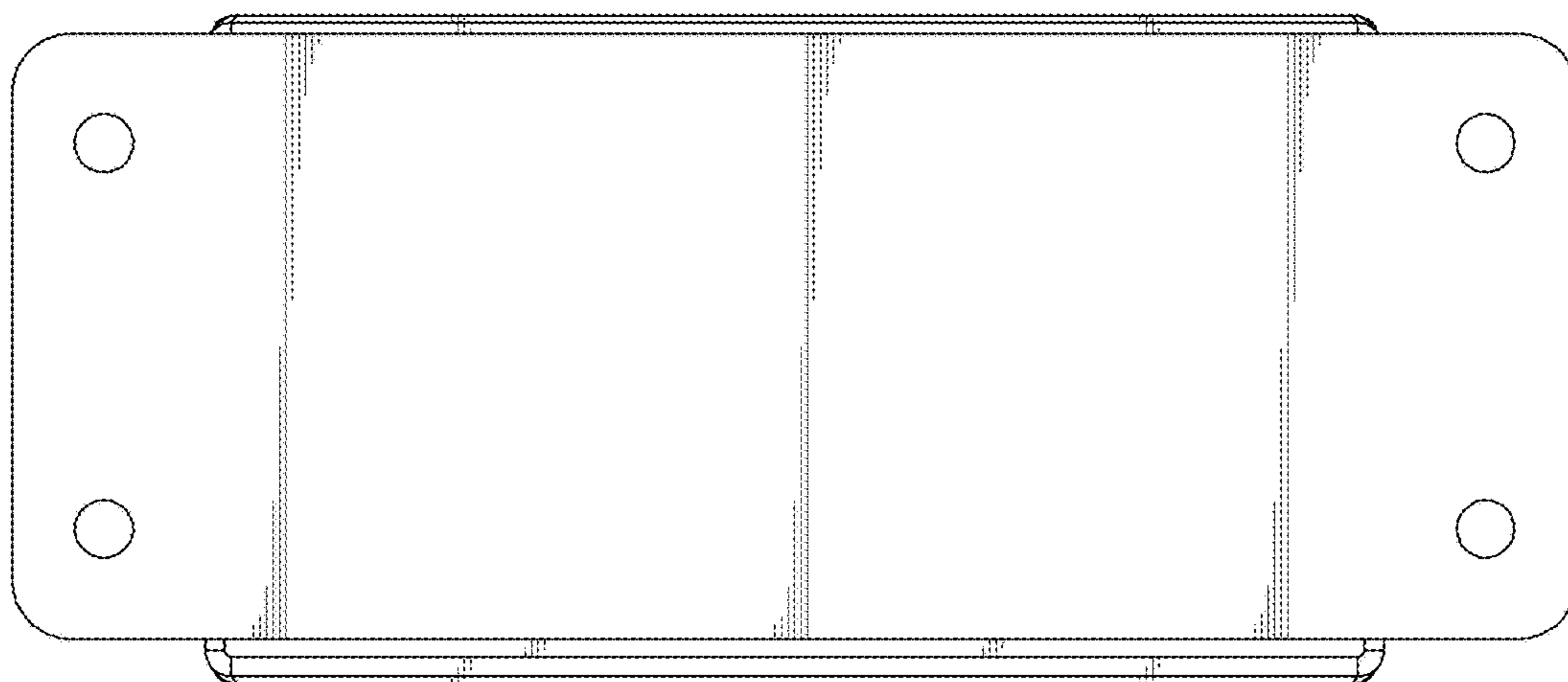


FIG. 16