



US00D780822S

(12) **United States Design Patent** (10) **Patent No.:** **US D780,822 S**
Awazu et al. (45) **Date of Patent:** **** *Mar. 7, 2017**

(54) **LENS FOR CAMERA**

FOREIGN PATENT DOCUMENTS

(71) Applicant: **FUJIFILM Corporation**, Minato-ku, Tokyo (JP)

JP 09211645 A 8/1997
JP 2009258399 A 11/2009

(Continued)

(72) Inventors: **Kouhei Awazu**, Saitama (JP);
Nobuyuki Kondou, Saitama (JP)

OTHER PUBLICATIONS

(73) Assignee: **FUJIFILM Corporation**, Tokyo (JP)

Notification of Reasons for Refusal, dated Jan. 9, 2013, issued in corresponding JP Application No. 2012-015693, 4 pages in English and Japanese.

(*) Notice: This patent is subject to a terminal disclaimer.

(Continued)

(**) Term: **14 Years**

Primary Examiner — Susan E Krakower

(21) Appl. No.: **29/523,364**

Assistant Examiner — Ramzi Almatrahi

(22) Filed: **Apr. 9, 2015**

(74) *Attorney, Agent, or Firm* — Sughrue Mion, PLLC

Related U.S. Application Data

(57) **CLAIM**

(63) Continuation of application No. 29/441,201, filed on Jan. 2, 2013, now Pat. No. Des. 729,862.

The ornamental design for a lens for camera, as shown and described.

(30) **Foreign Application Priority Data**

DESCRIPTION

Jul. 3, 2012 (JP) 2012-015693

(51) **LOC (10) Cl.** **16-05**

(52) **U.S. Cl.**
USPC **D16/219**

(58) **Field of Classification Search**
USPC D16/134, 136, 200, 202–205, 218, 219,
D16/242; 348/373–376; 359/826–828;
396/505, 529–532, 535, 539–541
(Continued)

FIG. 1 is a top, rear, and left side perspective view of a lens for camera showing our new design;
FIG. 2 is a front elevational view thereof;
FIG. 3 is a rear elevational view thereof;
FIG. 4 is a top plan view thereof;
FIG. 5 is a bottom plan view thereof;
FIG. 6 is a left side elevational view thereof;
FIG. 7 is a right side elevational view thereof; and,
FIG. 8 is a top, front and left side perspective view thereof, showing the lens for camera in an environment wherein the lens for camera is combined with a camera.

(56) **References Cited**

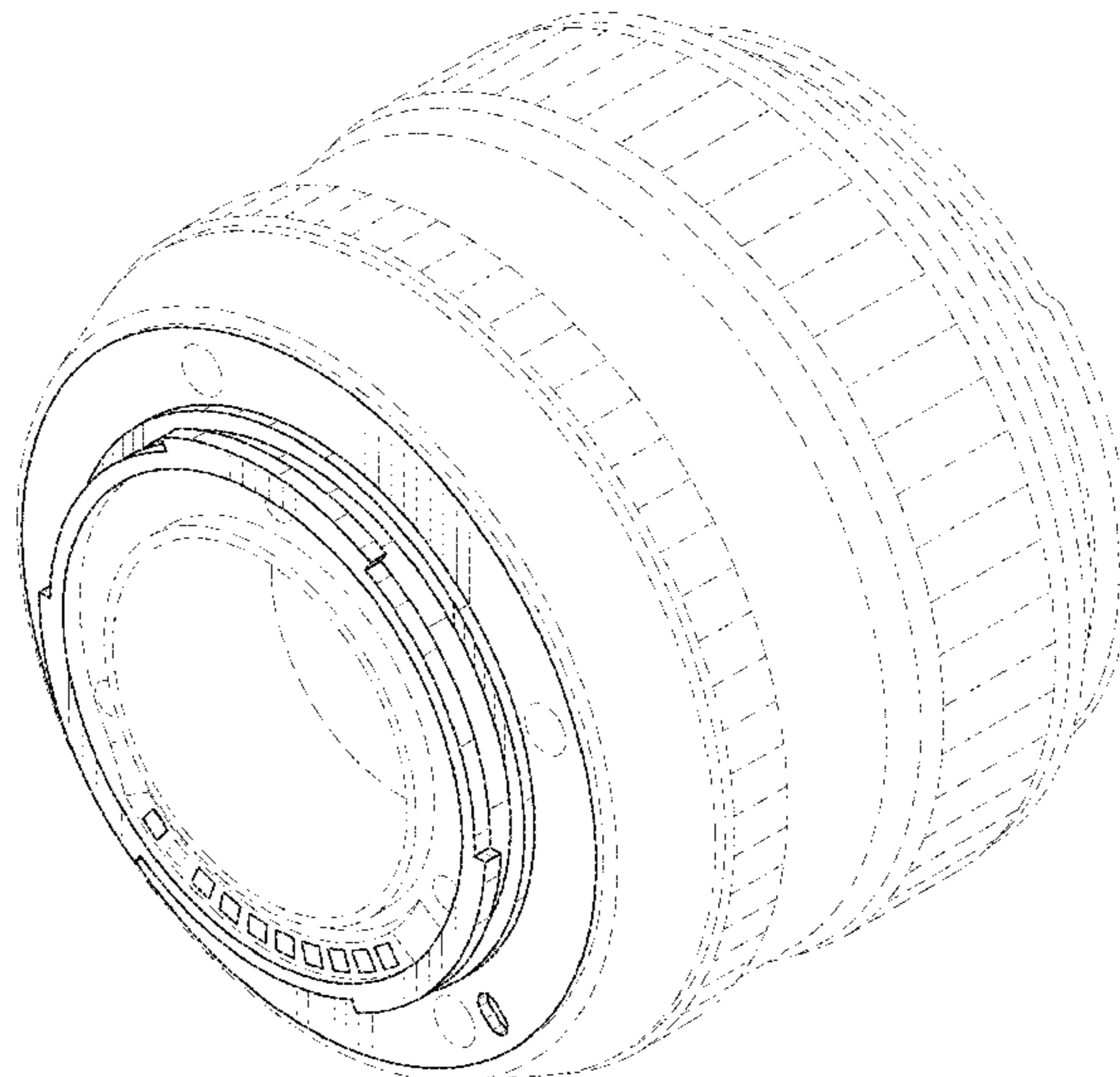
The broken lines in the drawings are included for the purpose of illustrating environmental subject matter and form no part of the claimed design.

U.S. PATENT DOCUMENTS

D235,578 S 6/1975 Miyake et al.
D248,766 S 8/1978 Arai

(Continued)

1 Claim, 8 Drawing Sheets



(58) **Field of Classification Search**

CPC G03B 17/02; G03B 19/04; G03B 17/56;
 G03B 17/04; G03B 15/03; G03B 17/14;
 H04N 5/2251; H04N 5/2252; H04N
 5/2253; H04N 5/2254; G02B 7/02; G02B
 7/04; G02B 7/14

See application file for complete search history.

FOREIGN PATENT DOCUMENTS

JP	2011028243 A	2/2011
JP	1444512 S	6/2012
JP	1456035 S	11/2012
JP	1456462 S	11/2012

(56)

References Cited

U.S. PATENT DOCUMENTS

5,262,899 A	11/1993	Iizuka	
D537,096 S	2/2007	Tokiwa et al.	
D537,461 S	2/2007	Tokiwa et al.	
D549,264 S *	8/2007	Tokiwa	D16/134
D550,745 S	9/2007	Watanabe	
D559,884 S	1/2008	Tokiwa	
7,853,137 B2	12/2010	Yang	
8,002,483 B2	8/2011	Fujiwara et al.	
D665,837 S *	8/2012	Tainaka	D16/134
D670,751 S	11/2012	Koyama et al.	
D682,911 S *	5/2013	Ohashi	D16/219
D688,292 S	8/2013	Koyama et al.	
D692,475 S	10/2013	Hasuda	
D696,709 S	12/2013	Sato	
2009/0051806 A1 *	2/2009	Haubmann	G03B 17/18 348/347
2011/0013902 A1 *	1/2011	Kim	G02B 7/026 396/530

OTHER PUBLICATIONS

Japanese catalog published by Canon Inc., dated Feb. 2007, "Canon EF-S Lenses," received by the National Center for Industrial Property Information and Training on Aug. 24, 2007 (Japan Catalog File of 2007 No. 207), 8 pages.

English translation of Bibliographic Data for JP Design Registration No. D1456462, 1 page.

English translation of Bibliographic Data for Japanese Design Registration No. D1456035, 1 page.

English translation of Bibliographic Data for Japanese Design Registration No. D1444512, 1 page.

Decision of Refusal, dated Jul. 24, 2013, issued in corresponding JP Application No. 2012-015693, 4 pages in English and Japanese.

U.S. Appl. No. 29/523,369, Kouhei Awazu, filed Apr. 9, 2015.

U.S. Appl. No. 29/523,372, Kouhei Awazu, filed Apr. 9, 2015.

* cited by examiner

FIG. 1

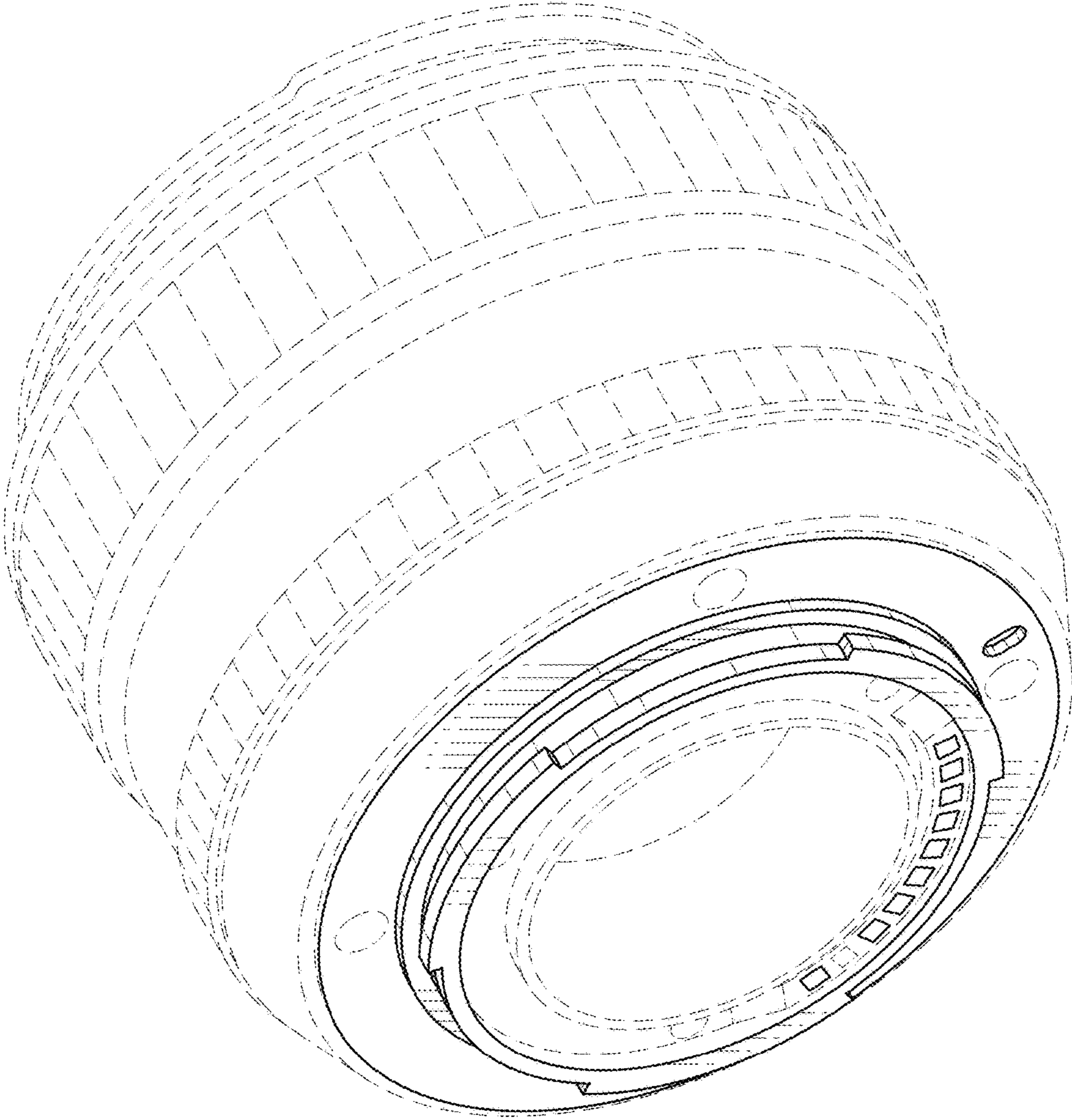


FIG. 2

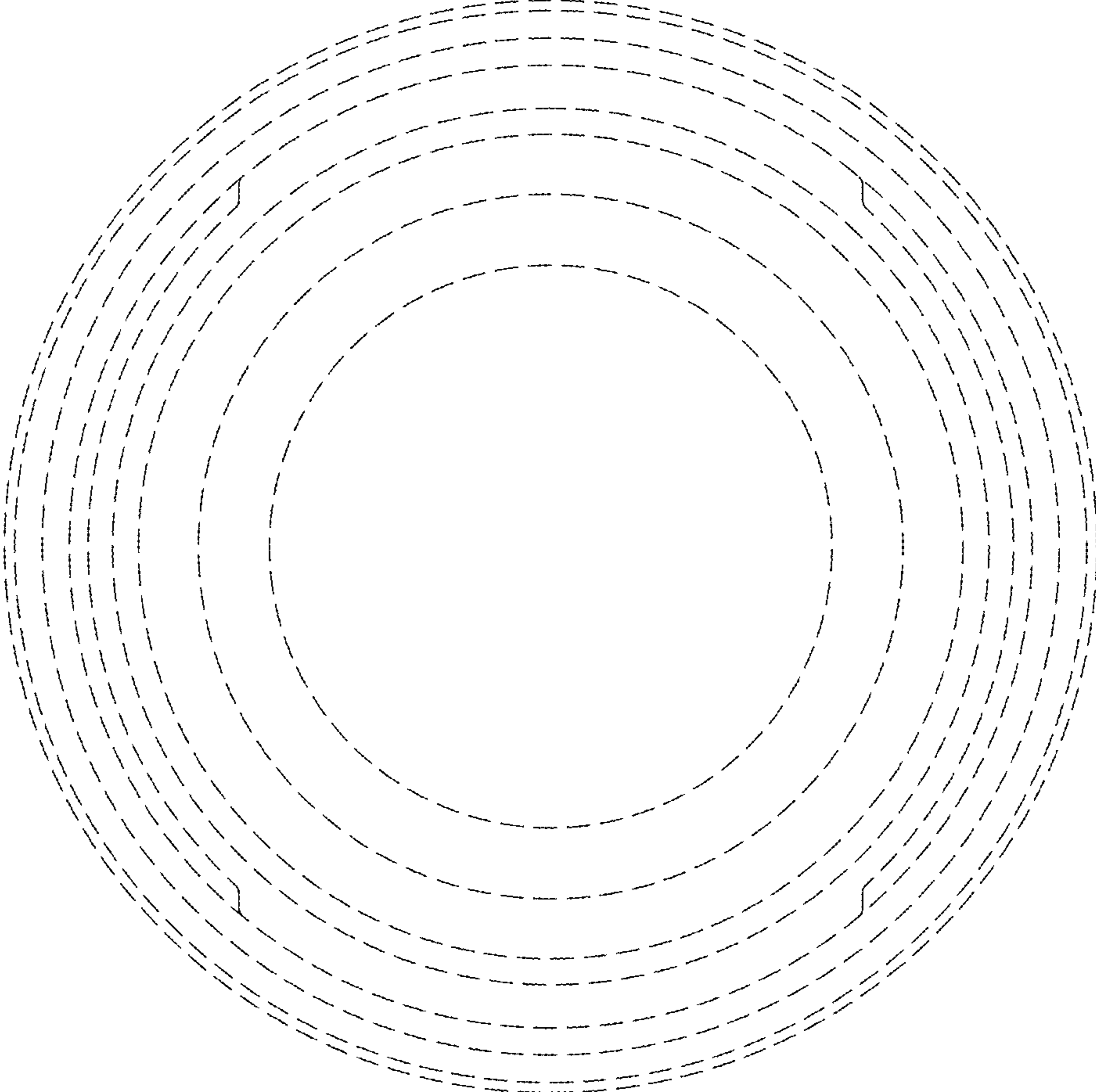


FIG. 3

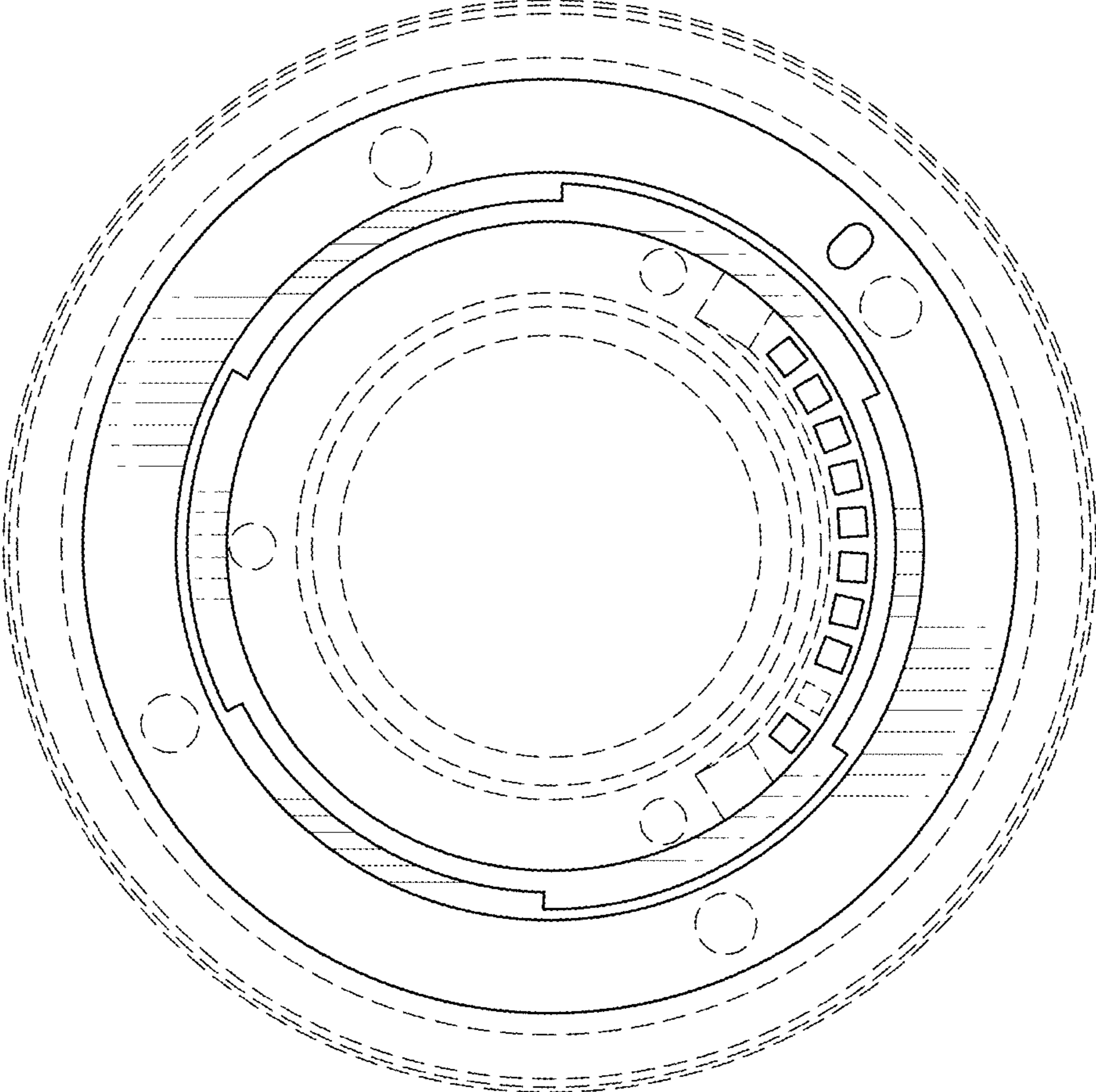


FIG. 4

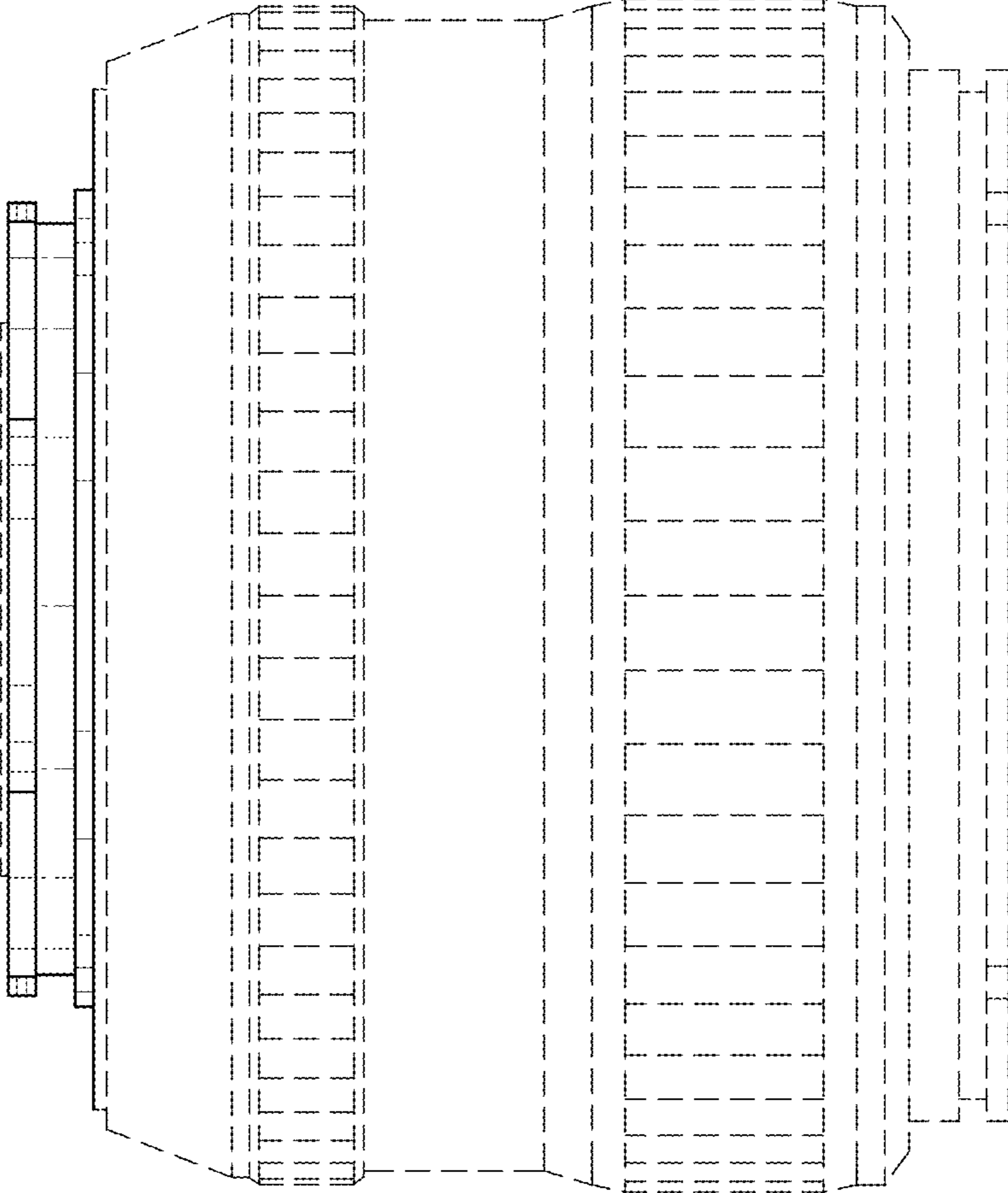


FIG. 5

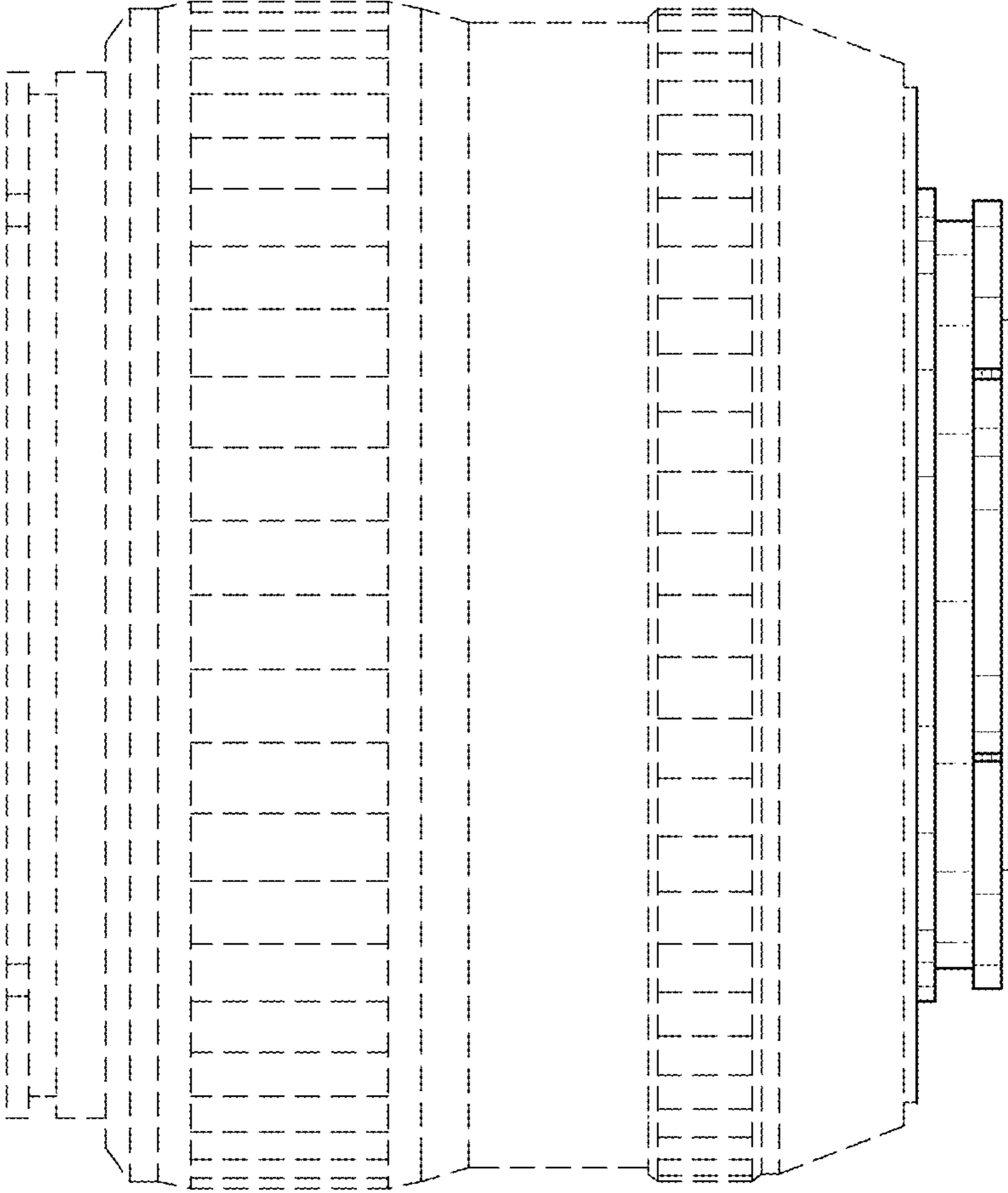


FIG. 6

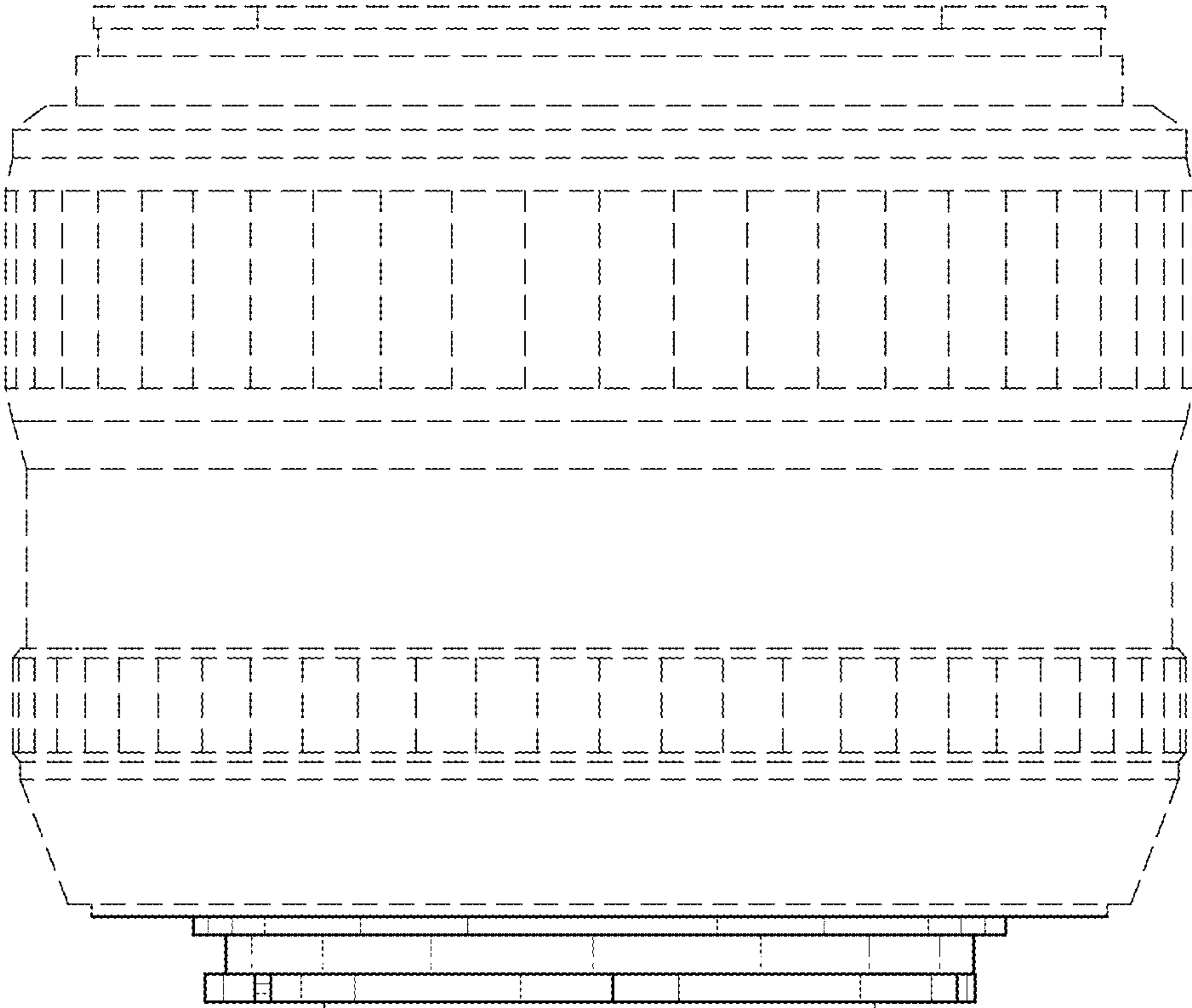


FIG. 7

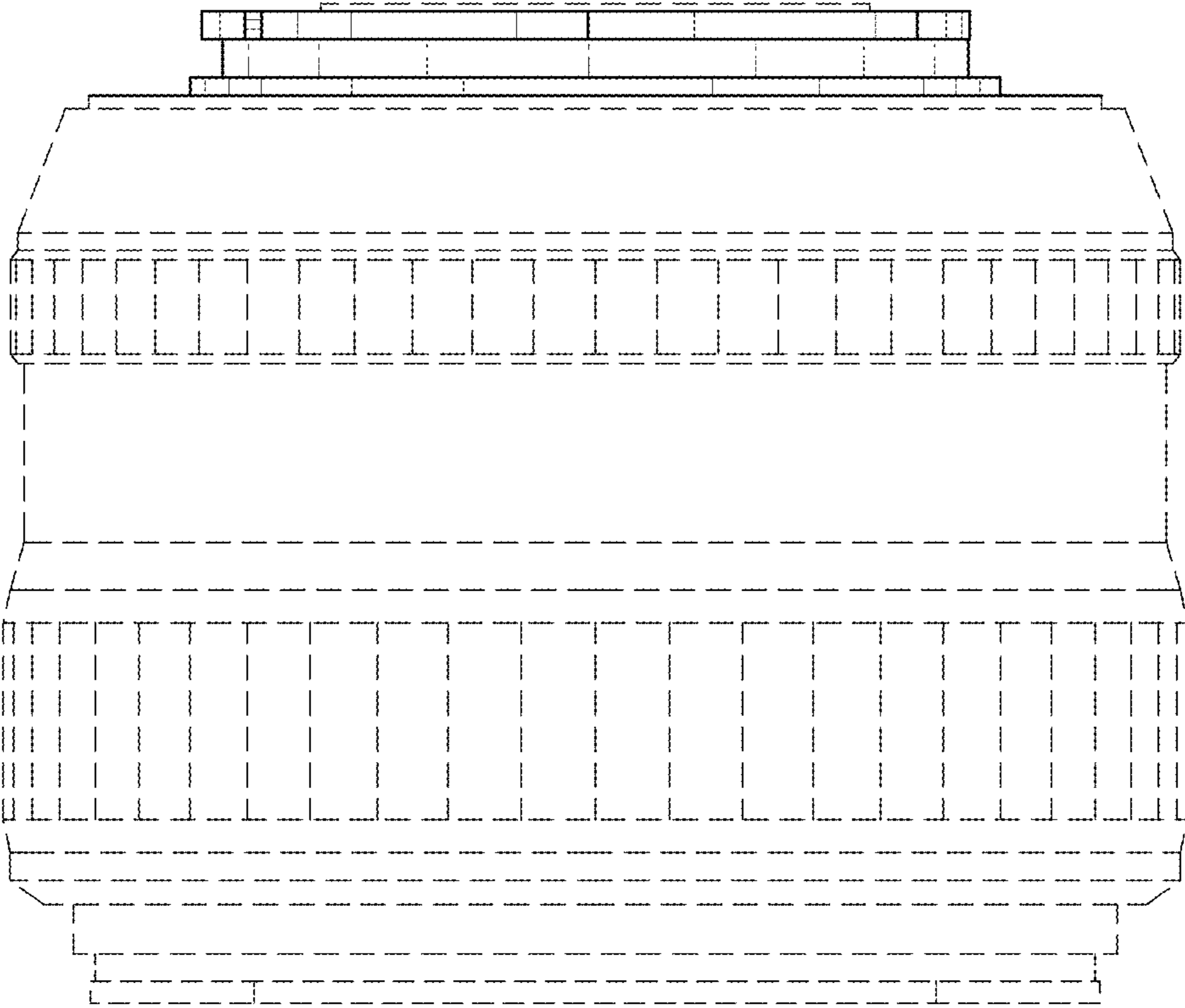


FIG. 8

