



US00D780820S

(12) **United States Design Patent** (10) **Patent No.:** **US D780,820 S**  
**Sedazzari** (45) **Date of Patent:** **\*\* Mar. 7, 2017**

(54) **LENS**

(71) Applicant: **Claudio Sedazzari**, Mantova (IT)

(72) Inventor: **Claudio Sedazzari**, Mantova (IT)

(\*\*) Term: **15 Years**

(21) Appl. No.: **35/500,050**

(22) Filed: **May 27, 2015**

(80) **Hague Agreement Data**

Int. Filing Date: **May 27, 2015**

Int. Reg. No.: **DM/086859**

Int. Reg. Date: **May 27, 2015**

Int. Reg. Pub. Date: **Jul. 17, 2015**

(51) **LOC (10) Cl.** ..... **16-06**

(52) **U.S. Cl.**  
USPC ..... **D16/134**

(58) **Field of Classification Search**  
USPC ..... D16/130, 132, 134, 203; D21/403, 483,  
D21/514; 359/350, 351, 353, 382-384,  
359/399-401, 405-407, 422, 425, 426,  
359/429, 430, 432, 600, 616, 617, 802,  
359/808, 818, 819, 822, 823, 825, 826,  
359/829

CPC ..... G02B 13/004; G02B 13/02; G03B 17/18  
See application file for complete search history.

(56) **References Cited**

**U.S. PATENT DOCUMENTS**

D253,043 S *	10/1979	Gelius	.....	D10/46
D560,702 S *	1/2008	Tokiwa	.....	D16/208
D598,039 S *	8/2009	Owada	.....	D16/134
D610,185 S *	2/2010	Chou	.....	D16/207
D680,567 S *	4/2013	Funakoshi	.....	D16/131
D682,903 S *	5/2013	Bratt	.....	D16/131
D733,204 S *	6/2015	Imamizu	.....	D16/132
D733,205 S *	6/2015	Imamizu	.....	D16/132

(Continued)

**OTHER PUBLICATIONS**

“The new era of telecentric lenses.” Opto-Engineering., Jan. 16, 2016 [online], [retrieved on Mar. 20, 2016]. Retrieved from the Internet <URL: <http://www.opto-engineering.com/resources/telecentric-lenses-tutorial>>.\*

(Continued)

*Primary Examiner* — Darlington Ly

(74) *Attorney, Agent, or Firm* — Thomas | Horstemeyer, LLP

(57) **CLAIM**

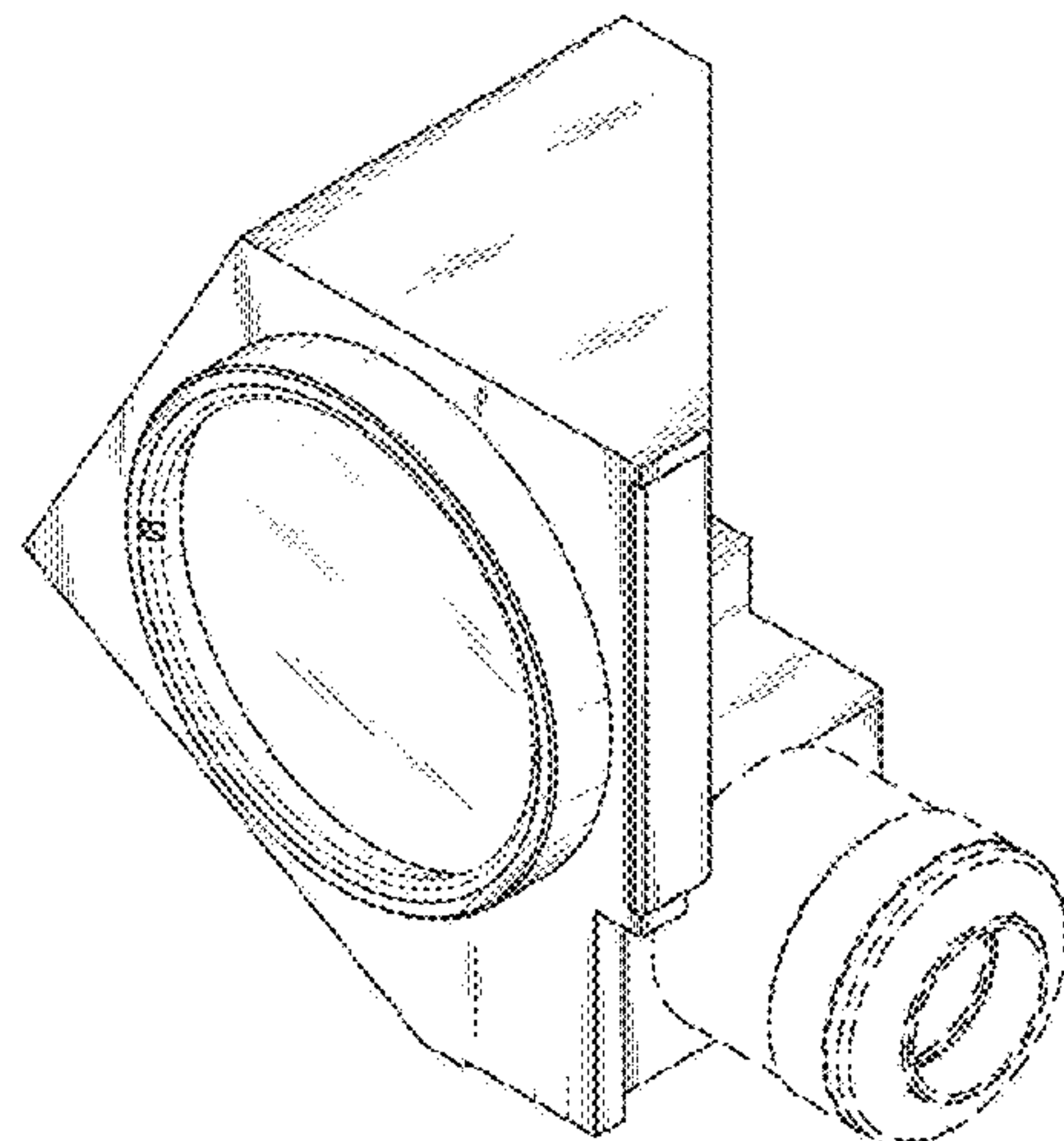
The ornamental design for a lens, as shown and described.

**DESCRIPTION**

- 1.1 is a top, front, and left side perspective view of the lens showing my new design;
- 1.2 is a top, front, and right side perspective thereof;
- 1.3 is a front elevation view thereof;
- 1.4 is a rear elevation view thereof;
- 1.5 is a left side elevation view thereof;
- 1.6 is a right side elevation view thereof;
- 1.7 is a top plan view thereof; and
- 1.8 is a bottom plan view thereof.
- 2.1 is a top, front, and left side perspective view of the lens showing my new design in accordance with an alternate embodiment;
- 2.2 is a top, front, and right side perspective thereof;
- 2.3 is a front elevation view thereof;
- 2.4 is a rear elevation view thereof;
- 2.5 is a left side elevation view thereof;
- 2.6 is a right side elevation view thereof;
- 2.7 is a top plan view thereof; and
- 2.8 is a bottom plan view thereof.

The broken lines in the reproductions illustrate portions of the lens that forms no part of the claimed design.

**1 Claim, 16 Drawing Sheets**



(56)

**References Cited**

U.S. PATENT DOCUMENTS

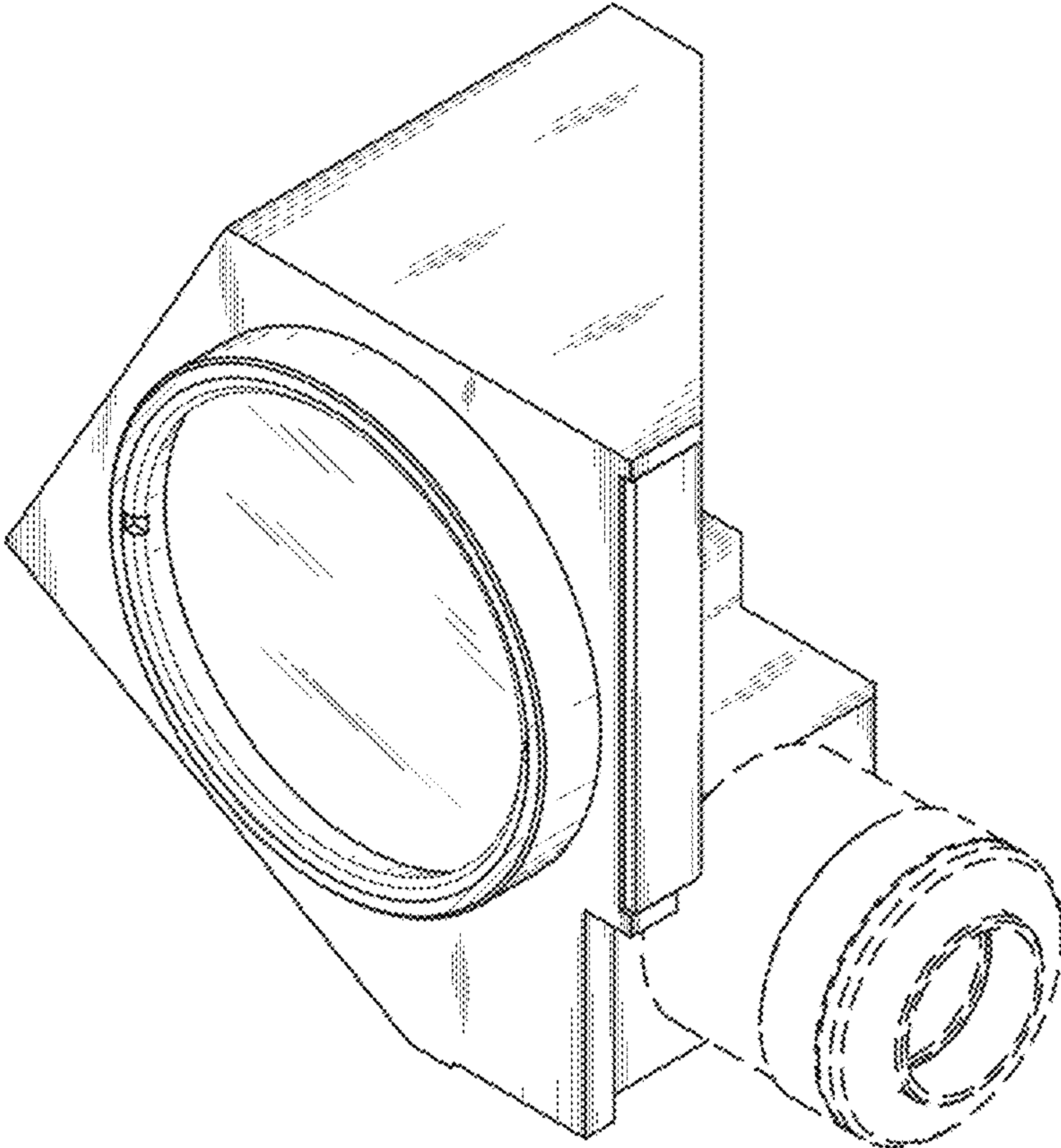
2015/0204798 A1\* 7/2015 Nygaard ..... G01N 21/952  
356/237.2  
2016/0025644 A1\* 1/2016 Nygaard ..... B07C 5/342  
356/625

OTHER PUBLICATIONS

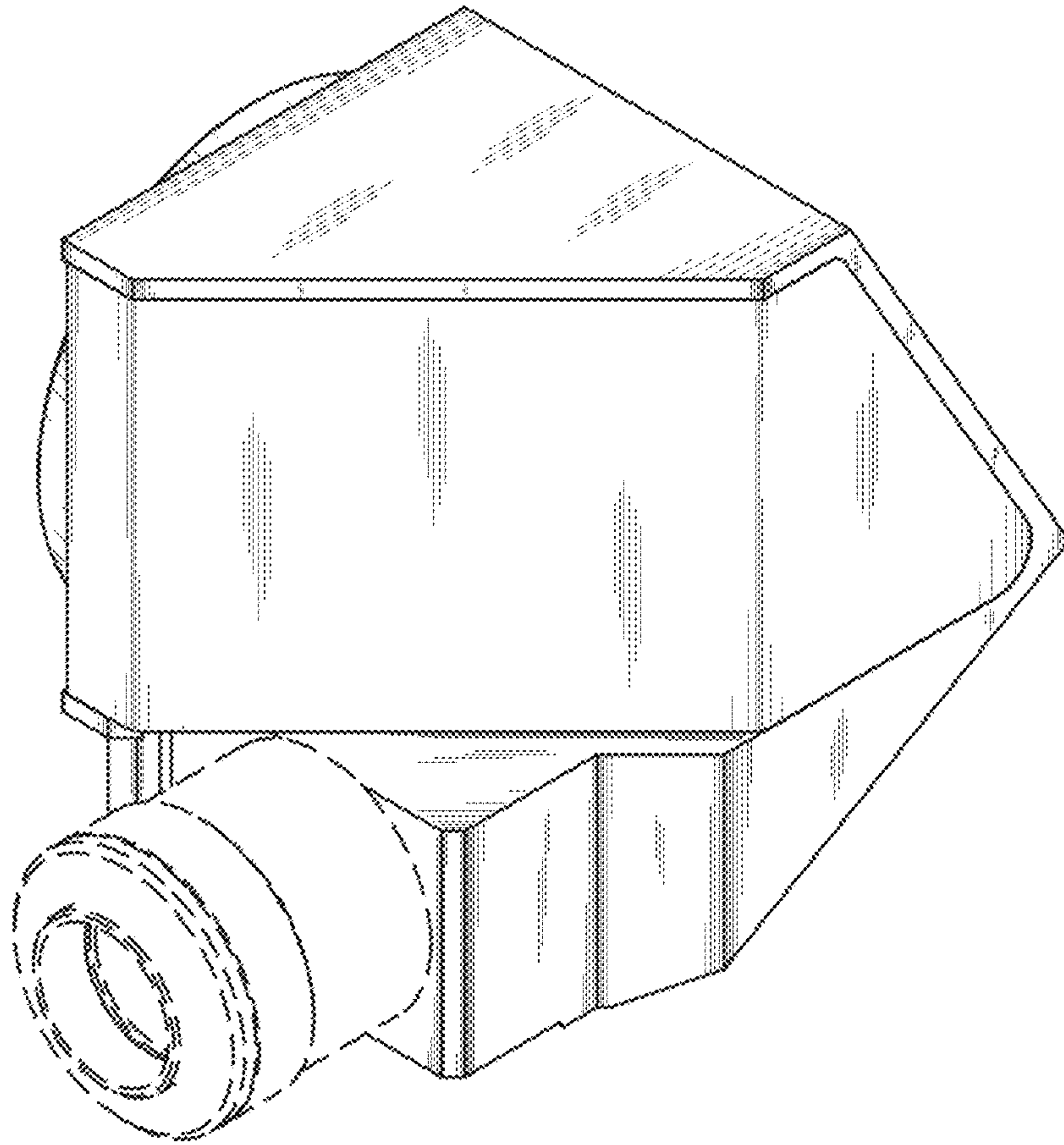
Carroll, James. "CORE series of telecentric lenses and illuminators launched by Opto Engineering." Vision Systems Design., Oct. 23, 2015 [online], [retrieved on Oct. 17, 2016]. Retrieved from the Internet <URL: <http://www.vision-systems.com/articles/2015/10/core-series-of-telecentric-lenses-and-illuminators-launched-by-opto-engineering.html>>.\*

"The New Era of Telecentric Lenses." Opto Engineering., Jan. 27, 2016 [online], [retrieved on Oct. 17, 2016]. Retrieved from the Internet <URL: [http://www.opto-engineering.com/media/downloads/docs/Brochure\\_FAMILY\\_CORE.pdf](http://www.opto-engineering.com/media/downloads/docs/Brochure_FAMILY_CORE.pdf)>.\*

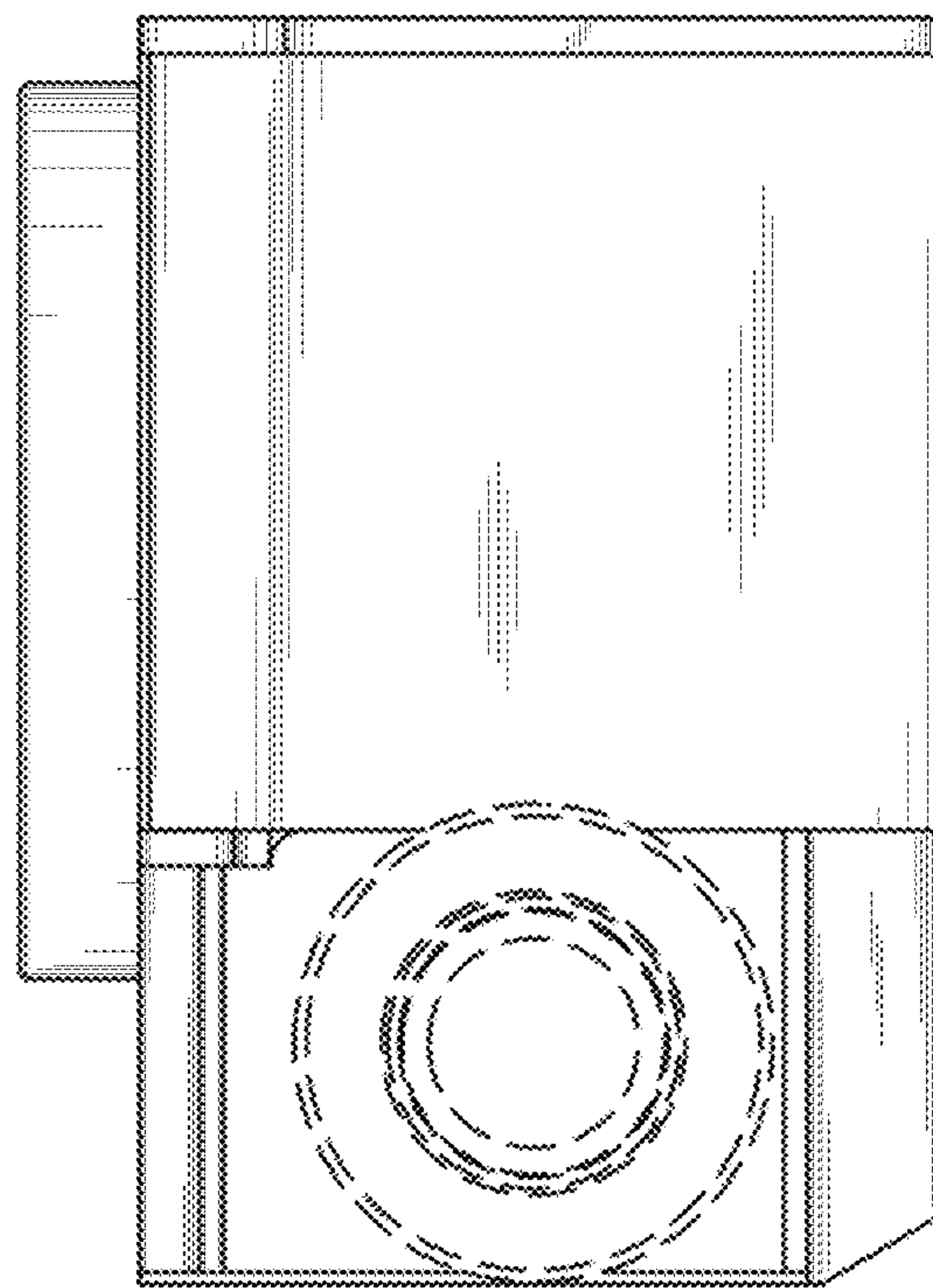
\* cited by examiner



1.1

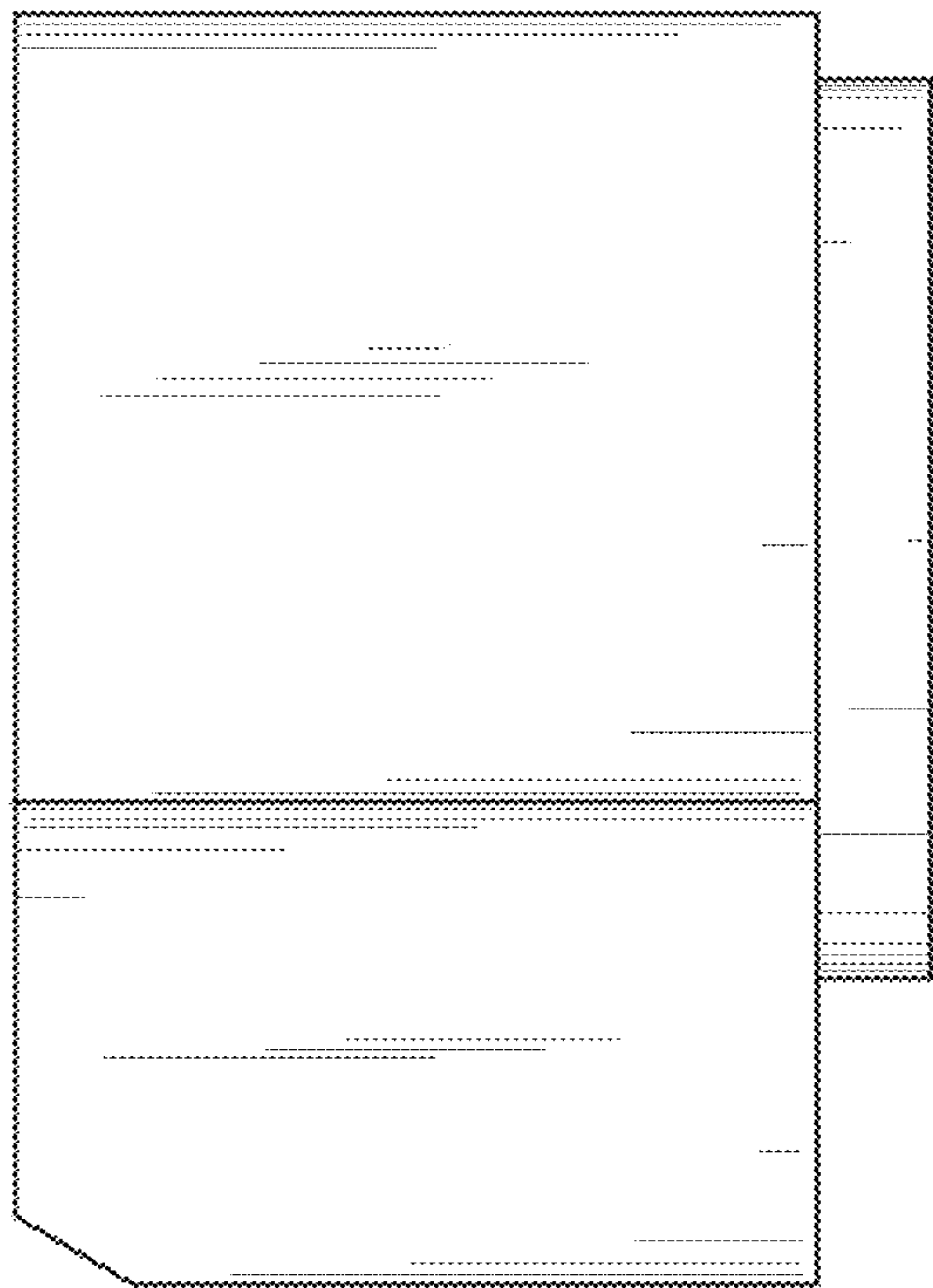


1.2

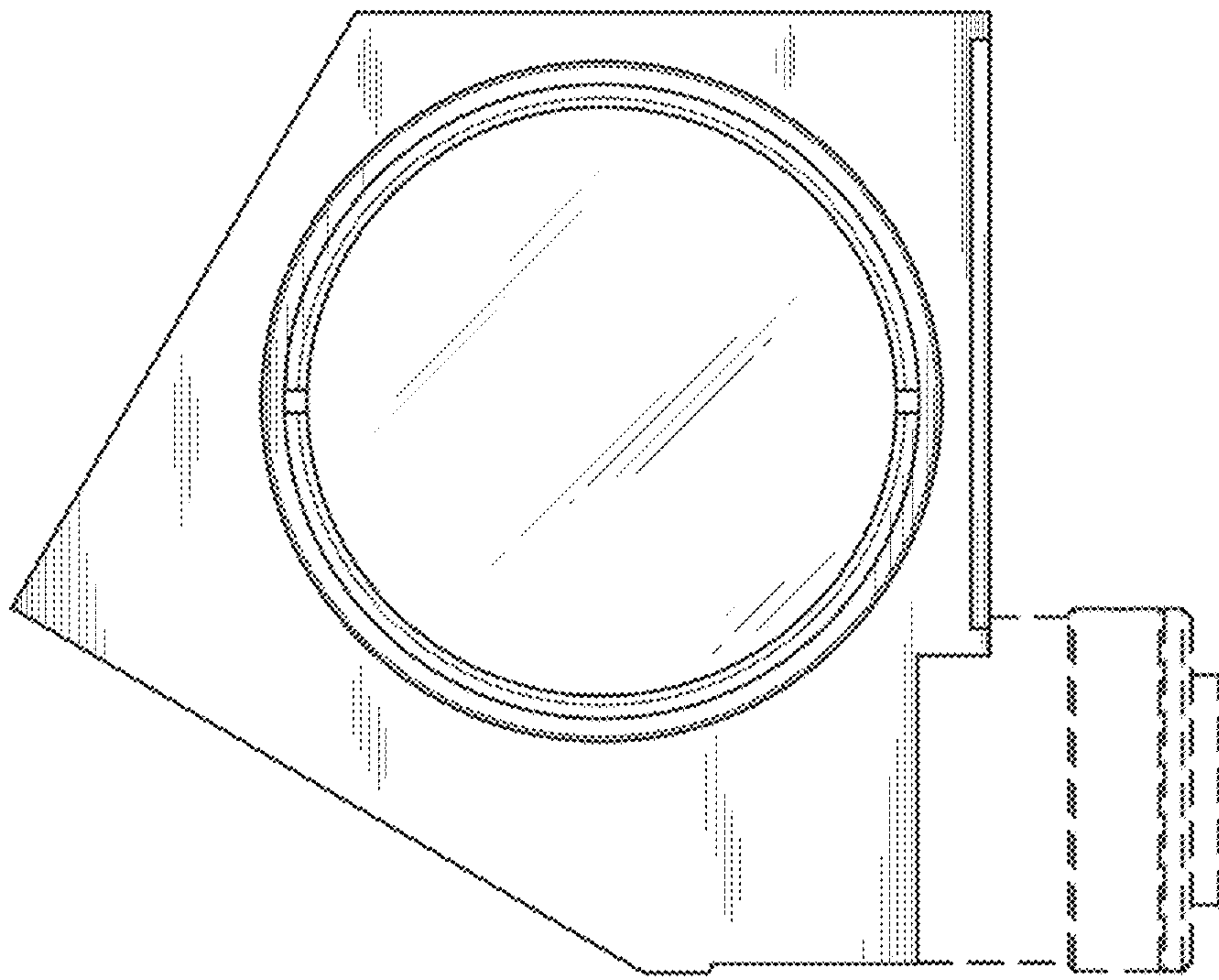


1.3

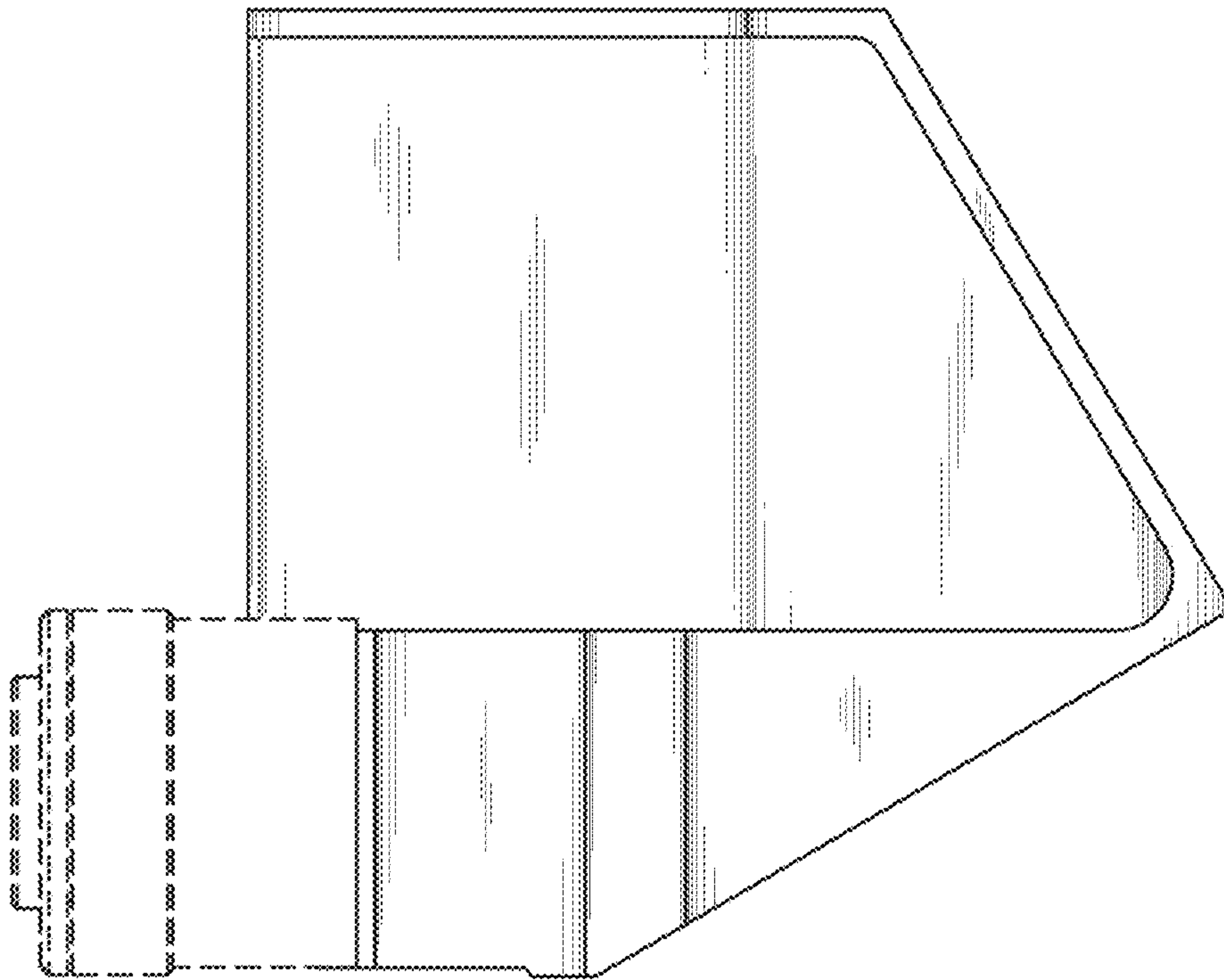




1.4

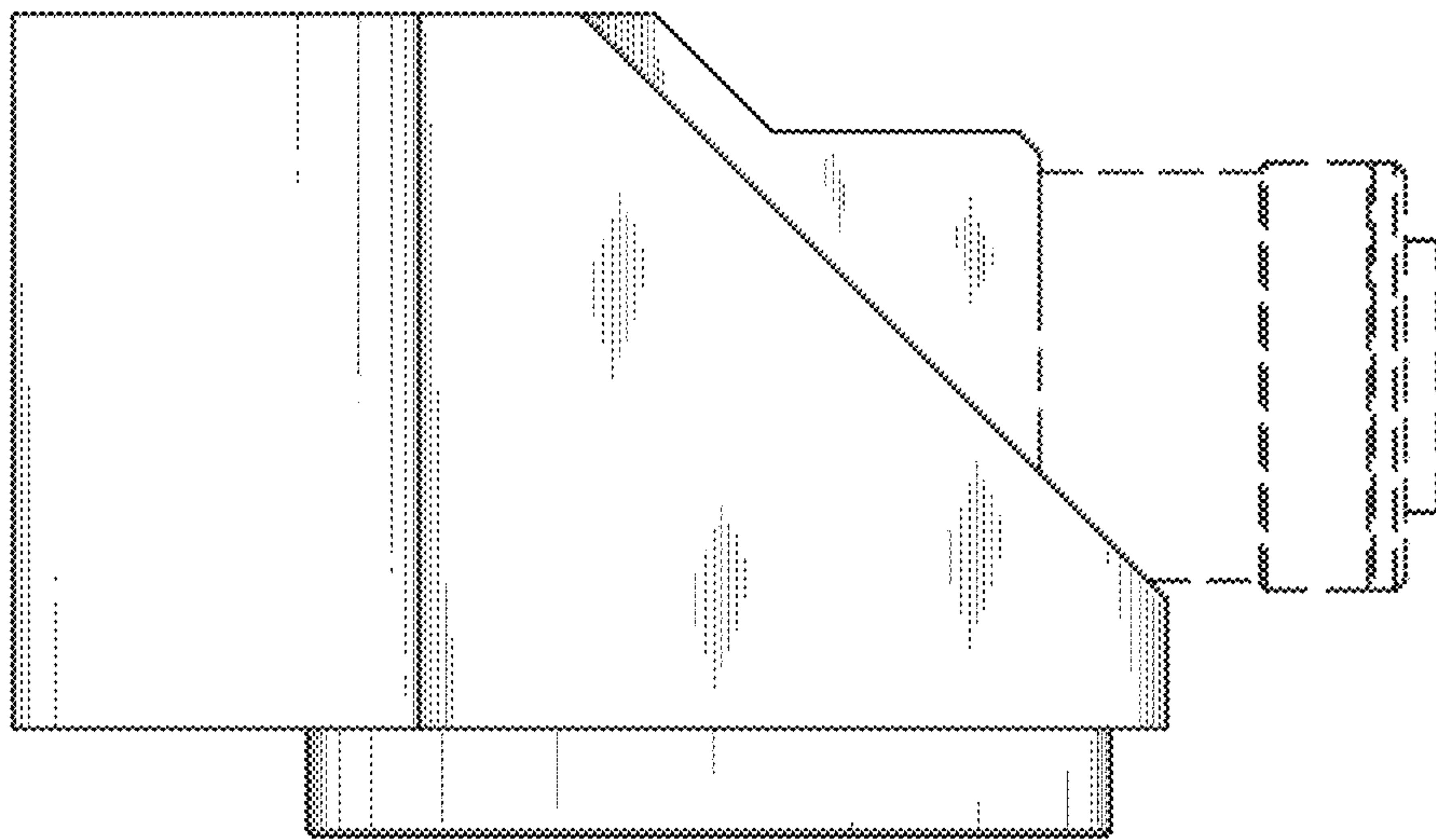


1.5

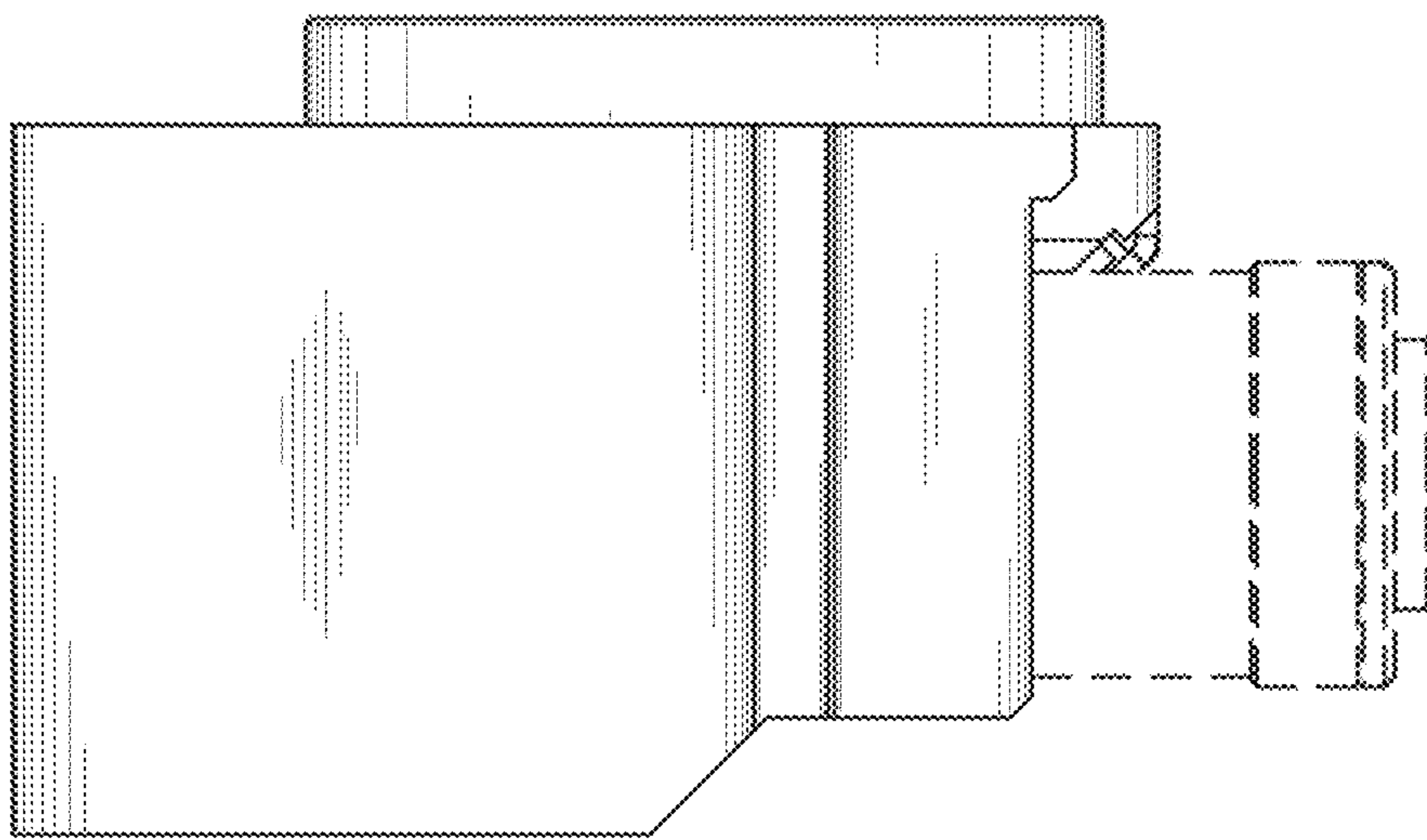


1.6

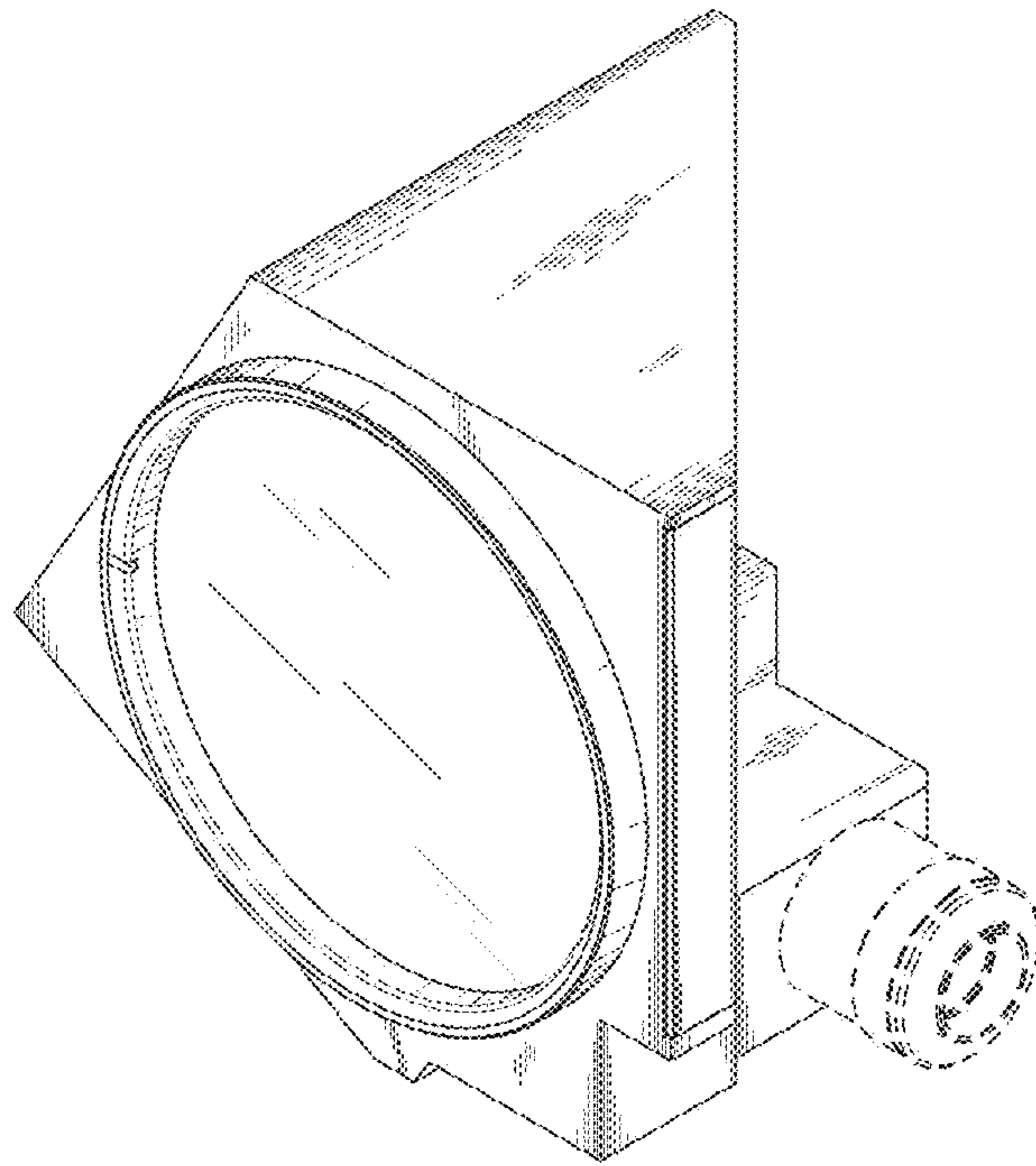




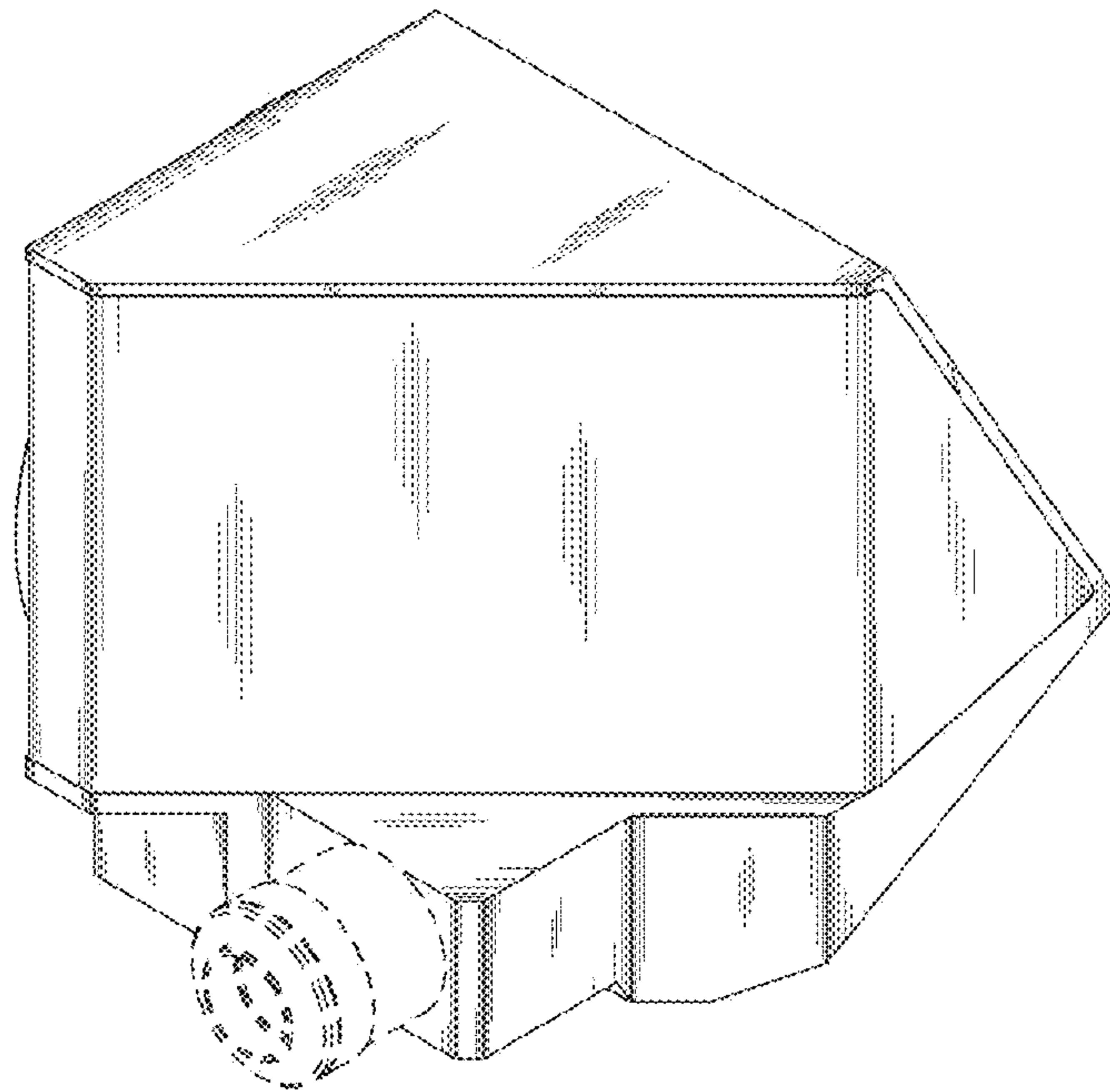
1.7



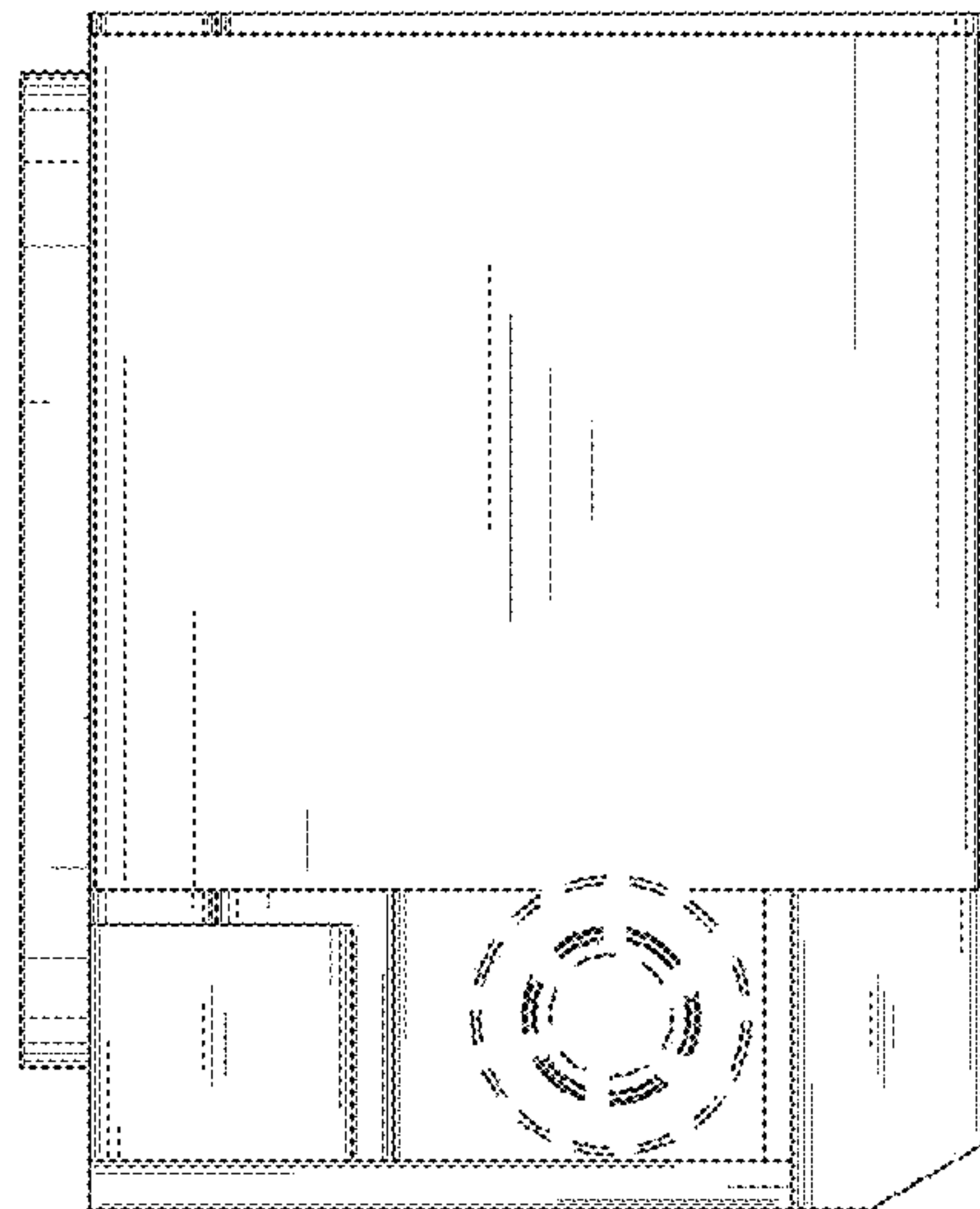
1.8



2.1

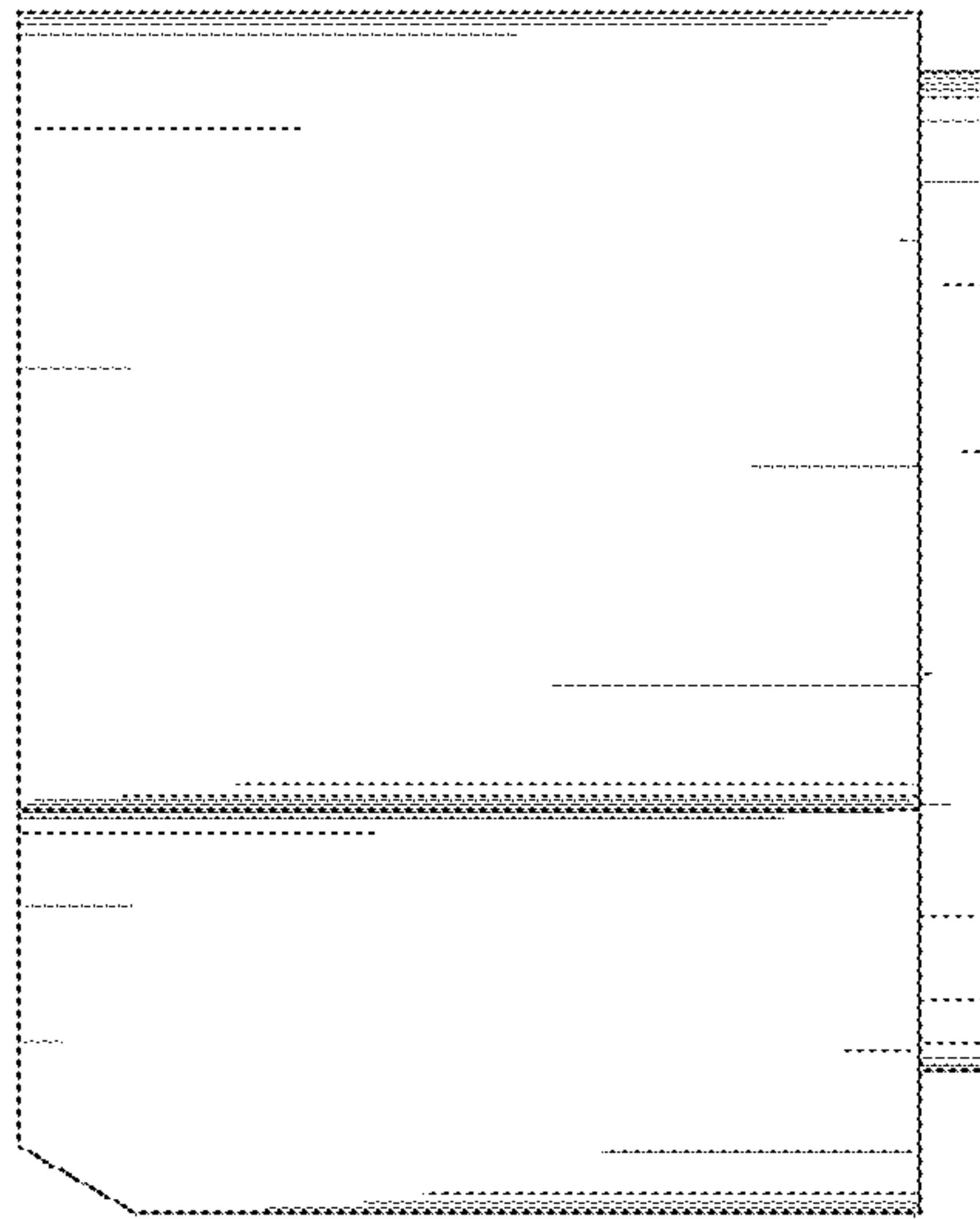


2.2

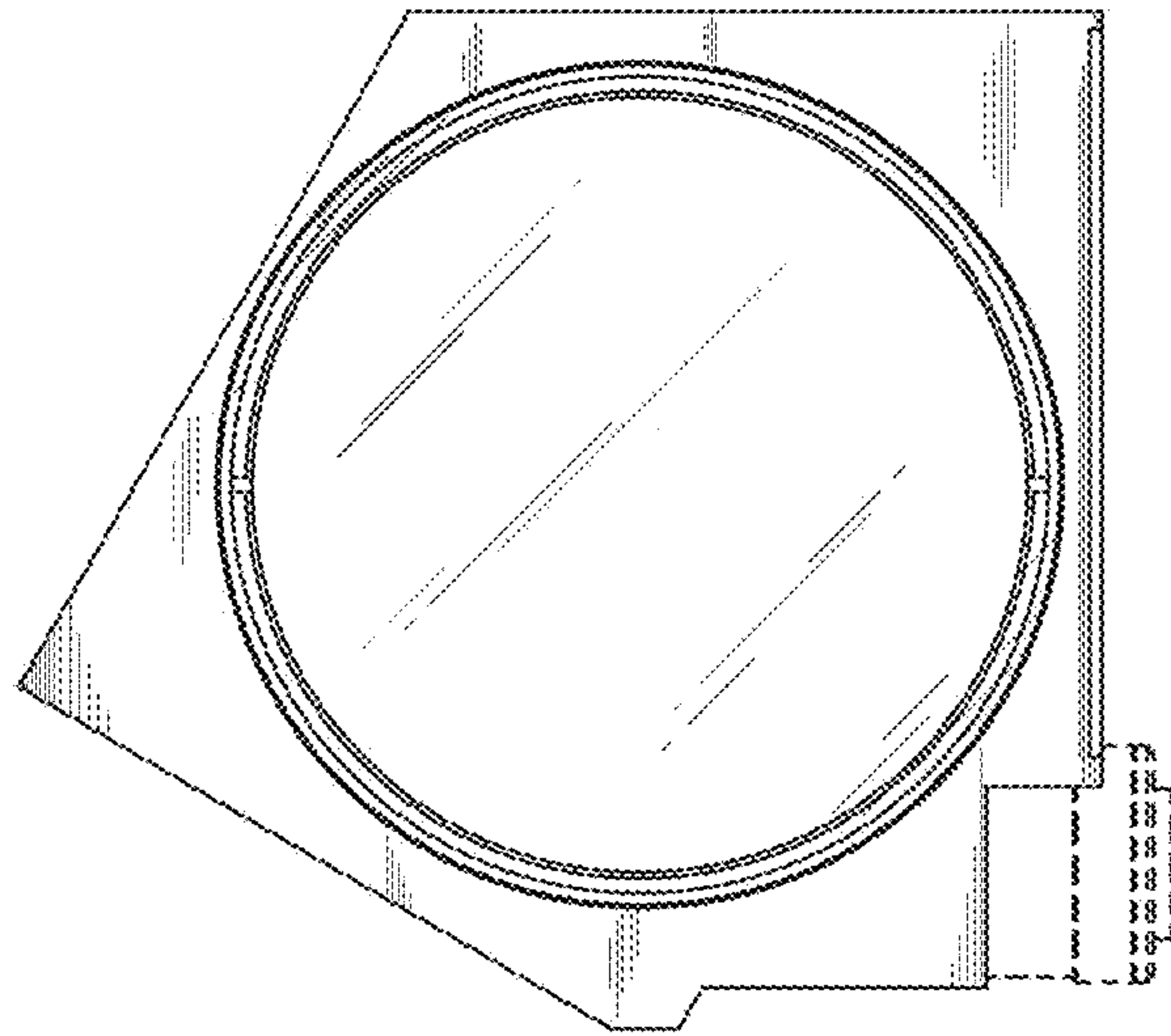


2.3

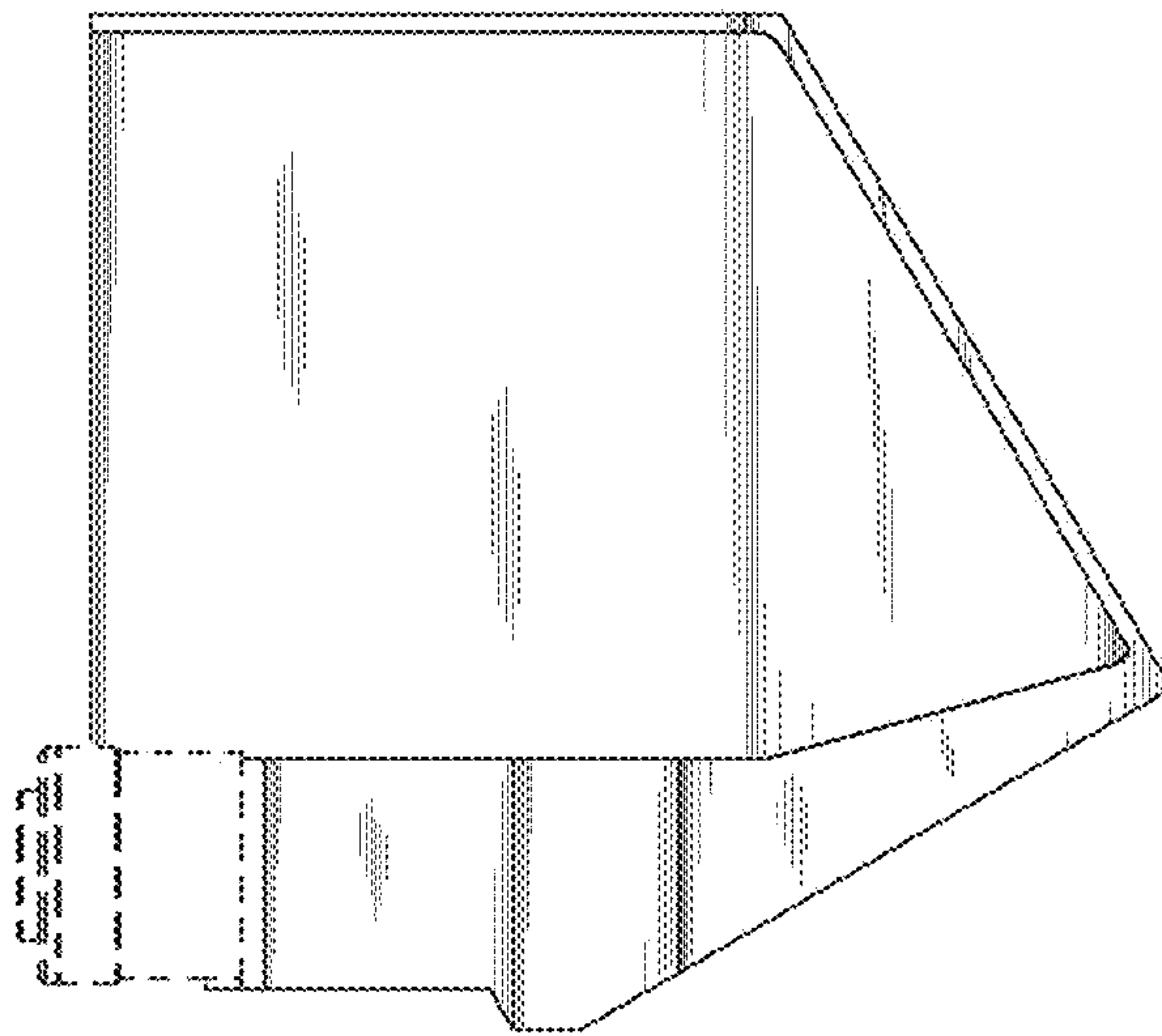




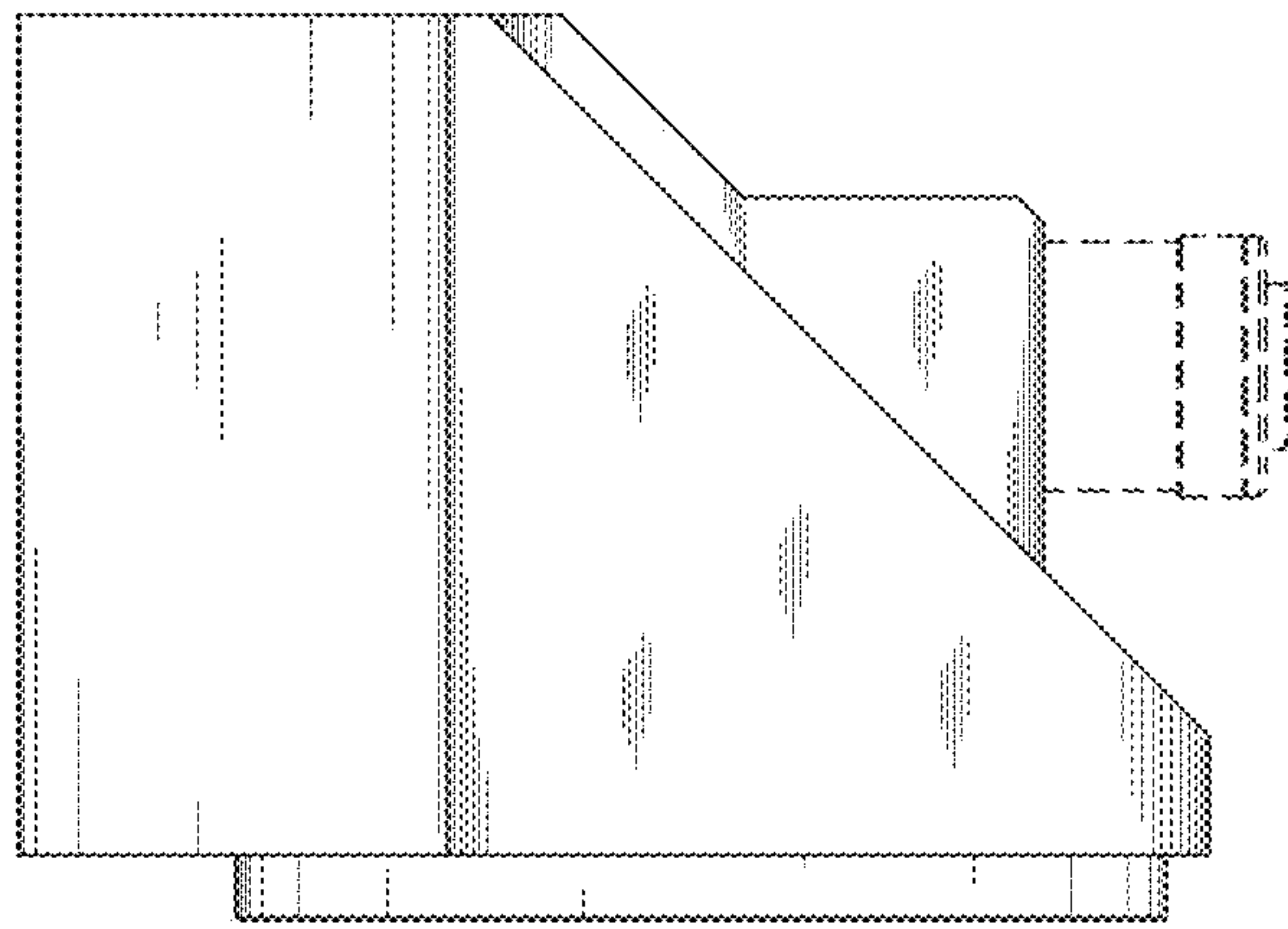
2.4



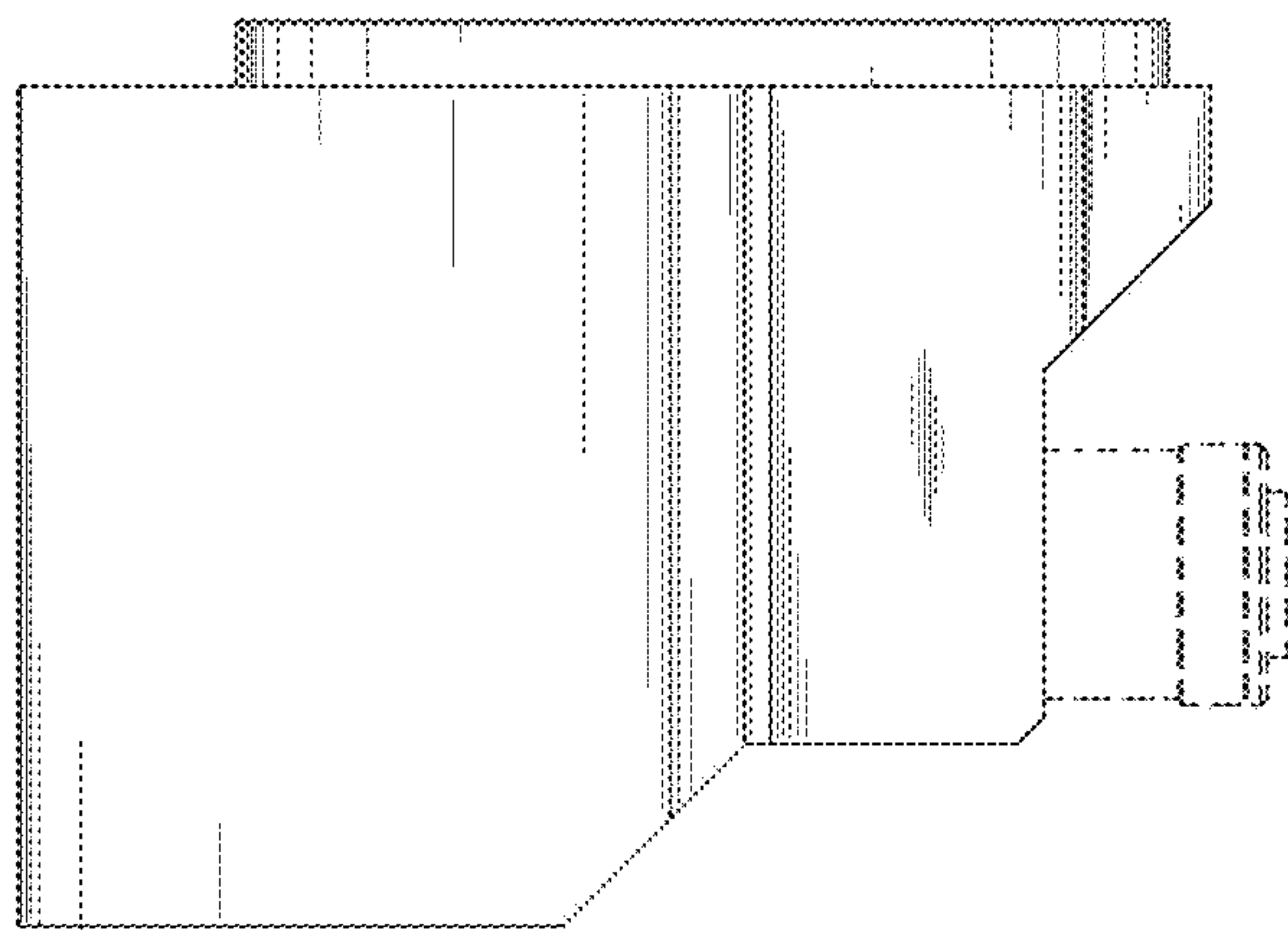
2.5



2.6



2.7



2.8