



US00D780817S

(12) **United States Design Patent**
Aldrich

(10) **Patent No.:** **US D780,817 S**
(45) **Date of Patent:** **** Mar. 7, 2017**

- (54) **MOUNTING FIXTURE**
- (71) Applicant: **Ergotron, Inc.**, St. Paul, MN (US)
- (72) Inventor: **Stuart Ripley Aldrich**, North Bennington, VT (US)
- (73) Assignee: **Ergotron, Inc.**, St. Paul, MN (US)
- (**) Term: **15 Years**
- (21) Appl. No.: **29/555,263**
- (22) Filed: **Feb. 19, 2016**

4,496,195 A 1/1985 Kwon et al.
 4,544,211 A 10/1985 Kwon et al.
 4,547,023 A 10/1985 Blatter et al.
 (Continued)

OTHER PUBLICATIONS

“U.S. Appl. No. 29/473,345, Notice of Allowance mailed Aug. 26, 2015”, 8 pgs.
 (Continued)

Primary Examiner — Patricia Palasik
 (74) *Attorney, Agent, or Firm* — Schwegman Lundberg & Woessner, P.A.

Related U.S. Application Data

- (63) Continuation-in-part of application No. 29/473,345, filed on Nov. 21, 2013, now abandoned.
- (51) **LOC (10) Cl.** **15-09**
- (52) **U.S. Cl.**
USPC **D15/143**
- (58) **Field of Classification Search**
USPC D15/143
See application file for complete search history.

(57) **CLAIM**

The ornamental design for a mounting fixture, as shown and described.

DESCRIPTION

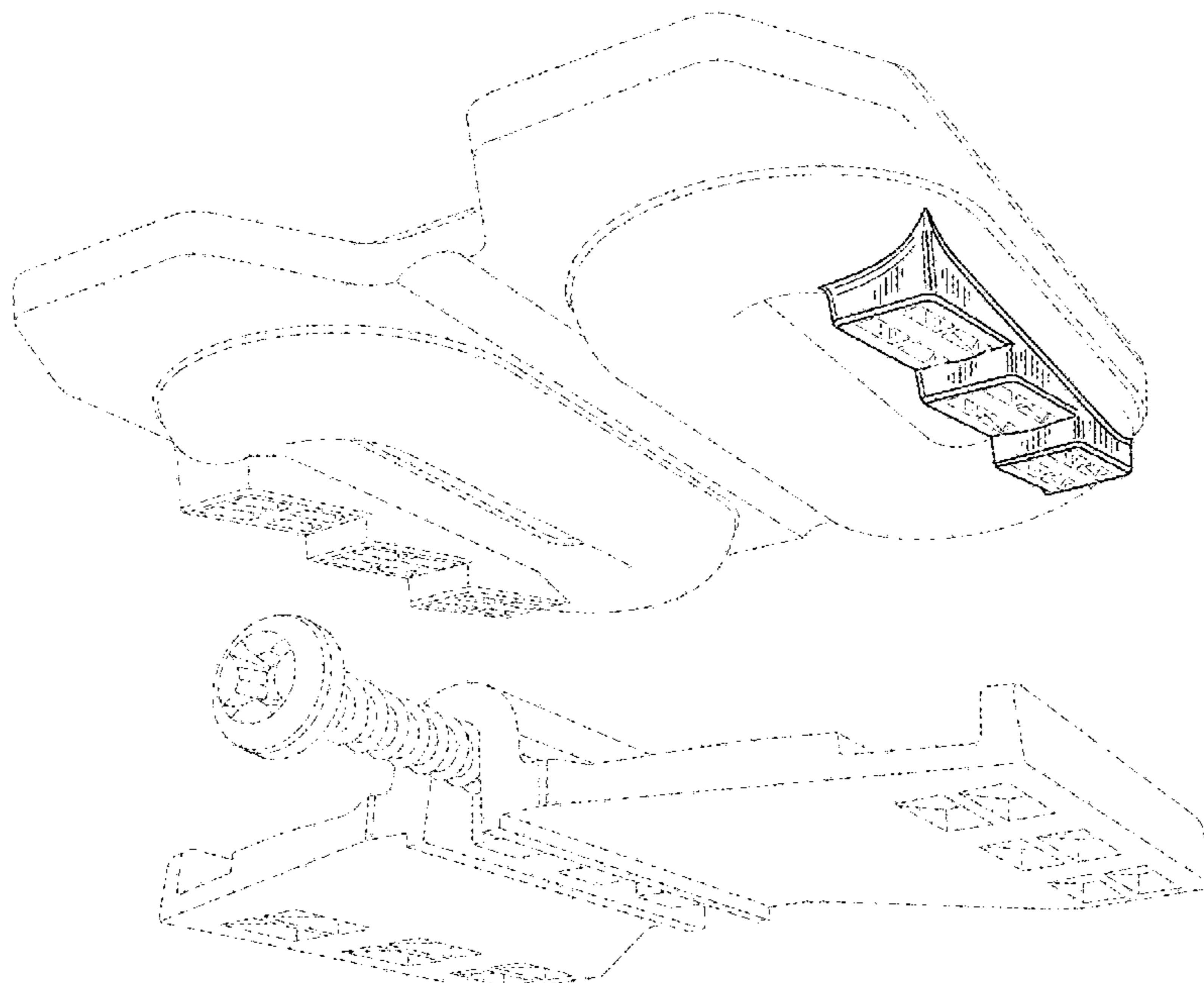
FIG. 1 is a lower perspective view of a sixth embodiment of the invention
 FIG. 2 is an upper perspective view of a sixth embodiment
 FIG. 3 is a top plan view of a sixth embodiment
 FIG. 4 is a bottom plan view of a sixth embodiment
 FIG. 5 is a front plan view of a sixth embodiment
 FIG. 6 is a back view of a sixth embodiment; and,
 FIG. 7 is a left side plan view of a sixth embodiment, but side views being symmetric/mirror images.
 Broken lines in the drawings are included for the purpose of illustrating an environment and form no part of the claimed design. The claimed invention can be used in other environments.

(56) **References Cited**

U.S. PATENT DOCUMENTS

3,003,828 A	10/1961	Stark	
3,241,890 A	3/1966	Stallman	
3,341,262 A	9/1967	Kalmanek	
3,655,247 A	4/1972	Grover	
3,798,651 A *	3/1974	Lehman	H01Q 1/084 174/153 A
3,802,752 A	4/1974	Koschmieder et al.	
3,836,211 A	9/1974	Pfister-Schneeberger	
3,937,532 A	2/1976	Fuhrmann et al.	
4,183,591 A	1/1980	Mayer	
4,432,587 A	2/1984	Bryan	

1 Claim, 4 Drawing Sheets



(56)

References Cited

U.S. PATENT DOCUMENTS

4,678,347	A	7/1987	Butts et al.	
4,765,754	A	8/1988	Slocum	
6,908,228	B2	6/2005	Dalessandro et al.	
D557,298	S	12/2007	Ingham	
D660,890	S	5/2012	Ito et al.	
8,807,655	B2 *	8/2014	Fassbender	B60N 2/2356 29/428
D764,555	S	8/2016	Aldrich	

OTHER PUBLICATIONS

“U.S. Appl. No. 29/473,345, Response filed Aug. 19, 2015 to Restriction Requirement mailed Jul. 21, 2015”, 4 pgs.

“U.S. Appl. No. 29/473,345, Restriction Requirement mailed Jul. 21, 2015”, 7 pgs.

“U.S. Appl. No. 29/540,467, Notice of Allowance mailed May 11, 2016”, 8 pgs.

“U.S. Appl. No. 29/540,467, Response filed Apr. 11, 2016 to Restriction Requirement mailed Feb. 10, 2016”, 5 pgs.

“U.S. Appl. No. 29/540,467, Restriction Requirement mailed Feb. 10, 2016”, 6 pgs.

* cited by examiner

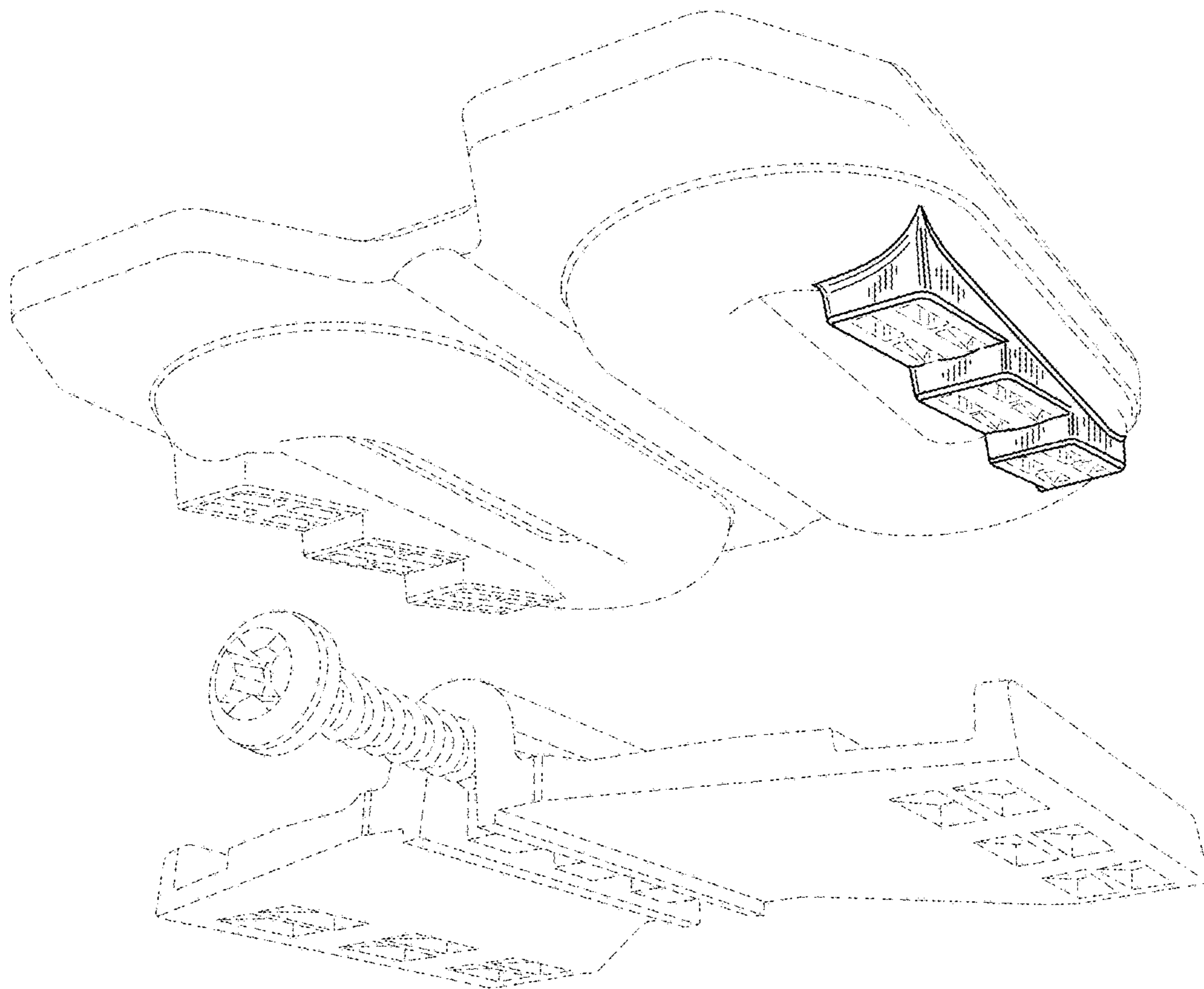


FIG. 1

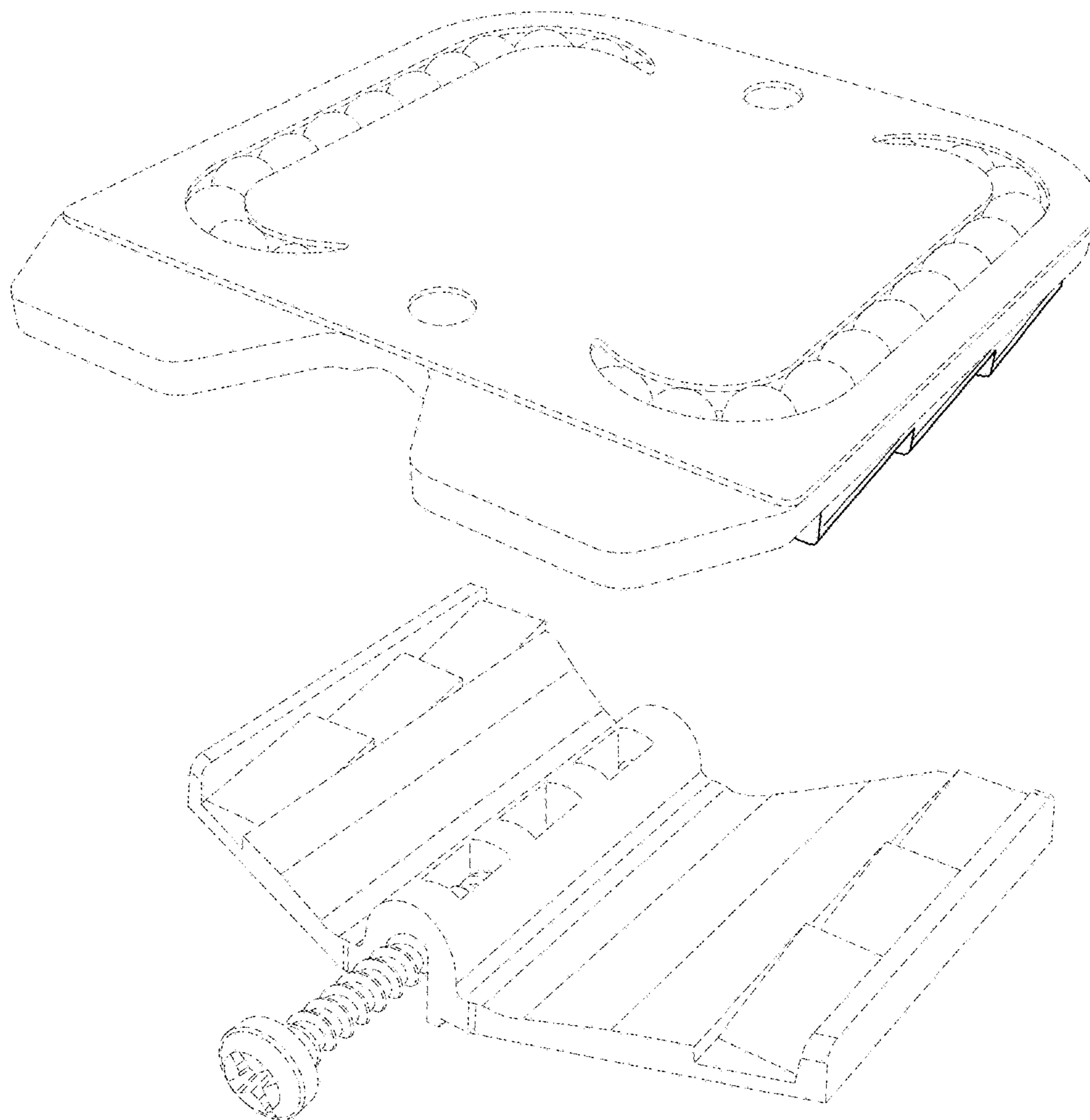


FIG. 2

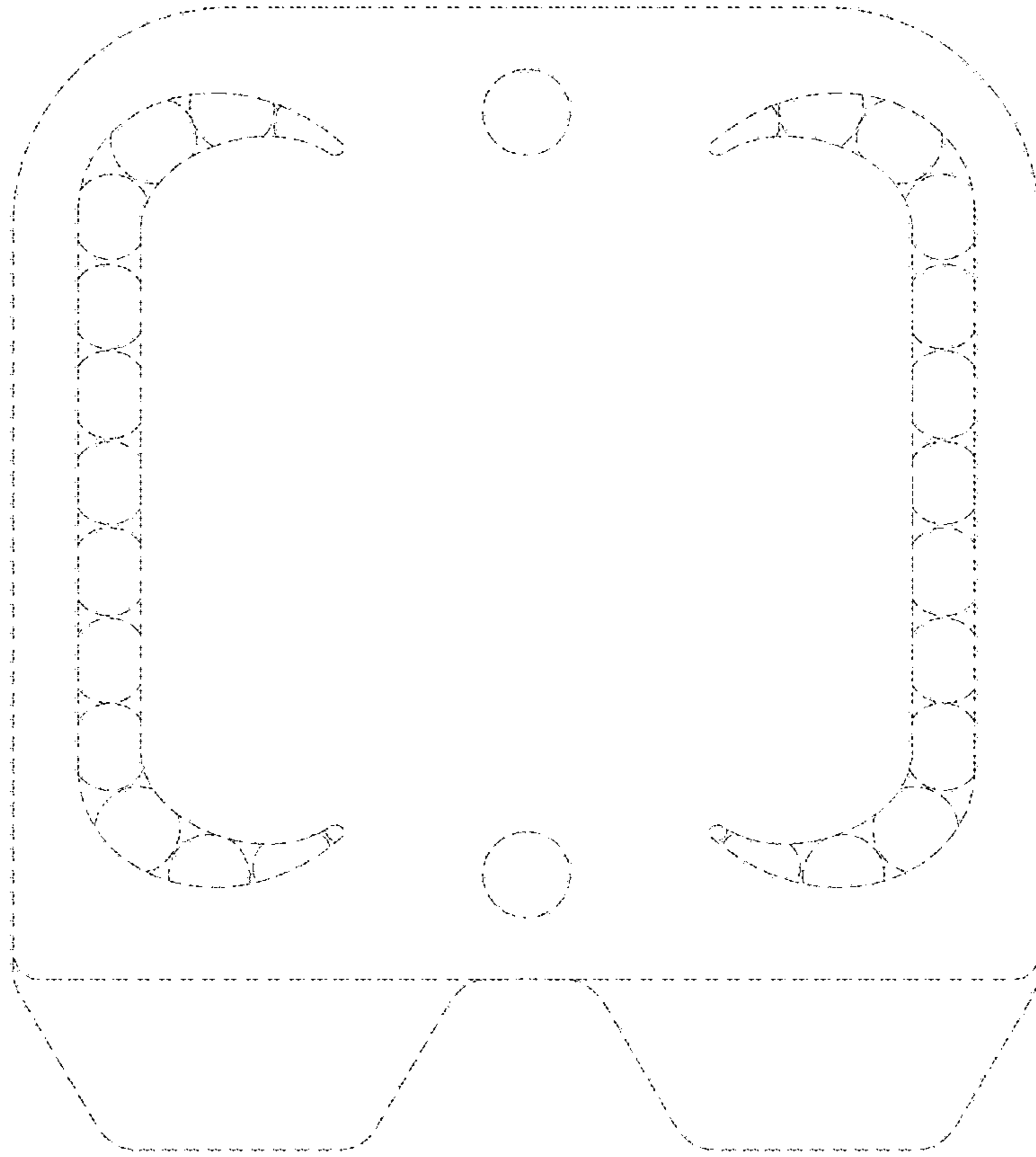


FIG. 3

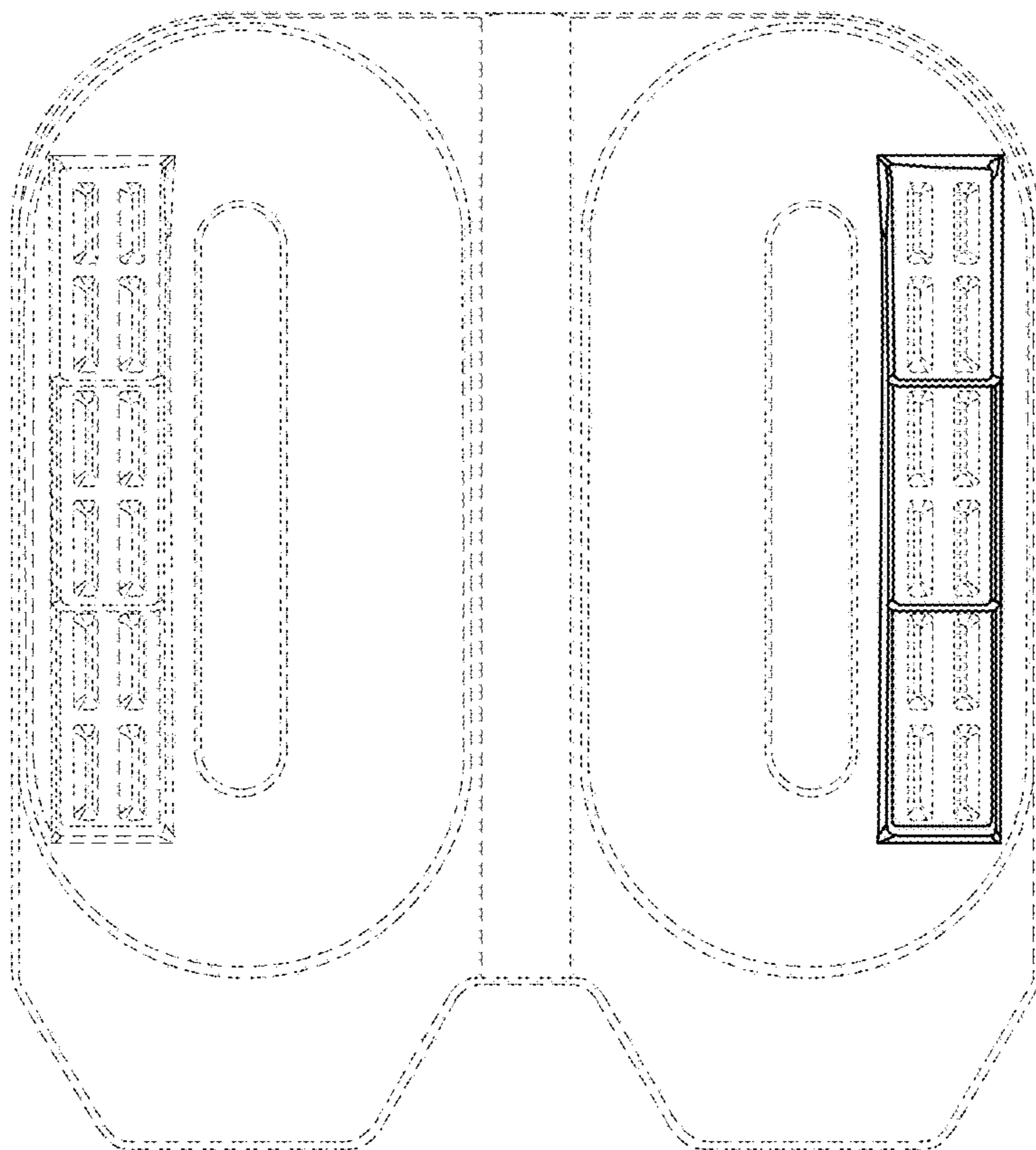


FIG. 4

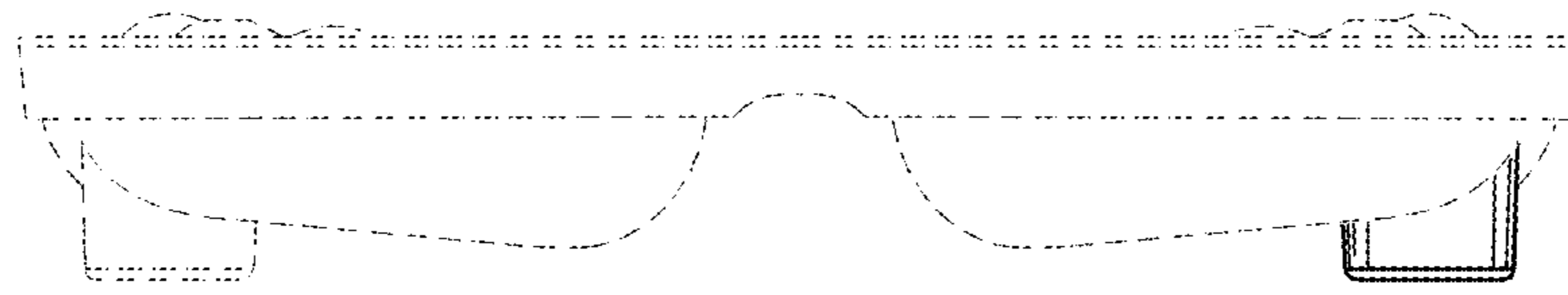


FIG. 5

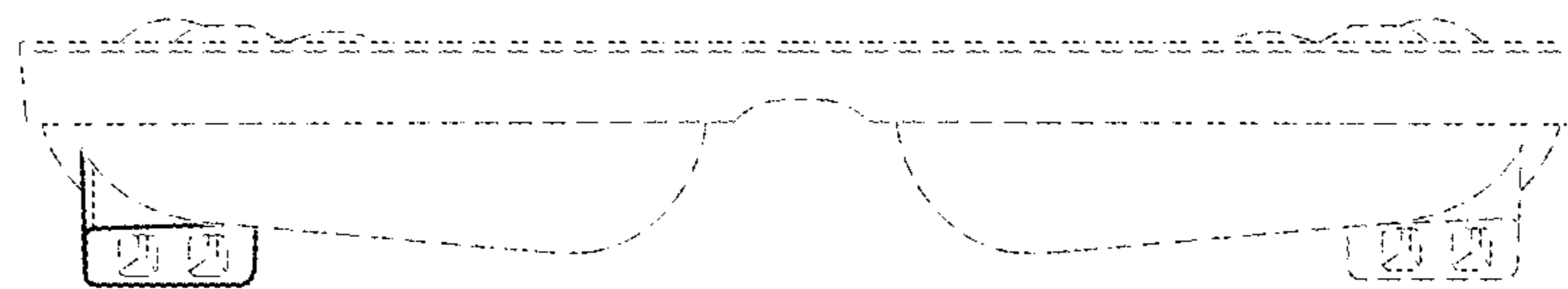


FIG. 6

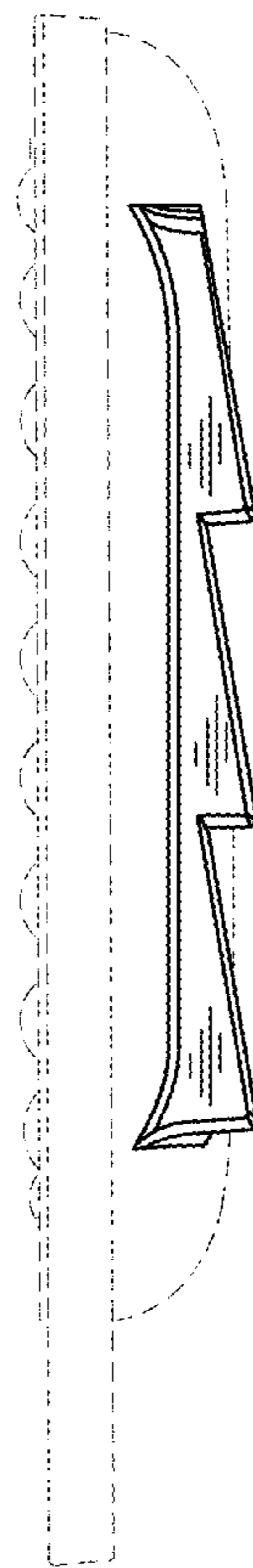


FIG. 7