



US00D780815S

(12) **United States Design Patent**  
**Seo et al.**

(10) **Patent No.:** **US D780,815 S**  
(45) **Date of Patent:** **\*\* Mar. 7, 2017**

(54) **REFRIGERATOR**

(71) Applicant: **LG ELECTRONICS INC.**, Seoul (KR)

(72) Inventors: **Woonkyu Seo**, Seoul (KR); **Kyungsoo Park**, Seoul (KR); **Seonil Yu**, Seoul (KR); **Jaeyoung Kim**, Seoul (KR); **Hyein Yang**, Seoul (KR); **Jihyun Lee**, Seoul (KR)

(73) Assignee: **LG ELECTRONICS INC.**, Seoul (KR)

(\*\*) Term: **15 Years**

(21) Appl. No.: **29/549,780**

(22) Filed: **Dec. 28, 2015**

(30) **Foreign Application Priority Data**

Aug. 27, 2015 (KR) ..... 30-2015-0043241

(51) **LOC (10) Cl.** ..... **15-07**

(52) **U.S. Cl.**  
USPC ..... **D15/91**

(58) **Field of Classification Search**  
USPC . D15/79, 80, 81, 82, 83, 84, 85, 86, 87, 88,  
D15/89, 90, 91

(Continued)

(56) **References Cited**

**U.S. PATENT DOCUMENTS**

D646,308 S \* 10/2011 Kristiansen ..... D15/91  
D722,624 S \* 2/2015 Cho ..... D15/89

(Continued)

**OTHER PUBLICATIONS**

<https://www.youtube.com/watch?v=N31cKXL4t-w>—Published Sep. 2, 2016.\*

(Continued)

*Primary Examiner* — Manpreet Matharu  
*Assistant Examiner* — Mojtaba Tehrani  
(74) *Attorney, Agent, or Firm* — Dentons US LLP

(57) **CLAIM**

We claim the ornamental design for a refrigerator, as shown and described.

**DESCRIPTION**

FIG. 1 is a perspective view of a refrigerator showing our new design with its double door closed:

FIG. 2 is a front elevation view thereof;

FIG. 3 is a rear elevation view thereof;

FIG. 4 is a left-side elevation view thereof;

FIG. 5 is a right-side elevation view thereof;

FIG. 6 is a top plan view thereof;

FIG. 7 is a bottom plan view thereof;

FIG. 8 is a perspective view with its outer door opened;

FIG. 9 is a front elevation view with its outer door opened;

FIG. 10 is a right-side elevation view with its outer door opened;

FIG. 11 is a top plan view with its outer door opened;

FIG. 12 is a perspective view with its inner and outer doors opened respectively;

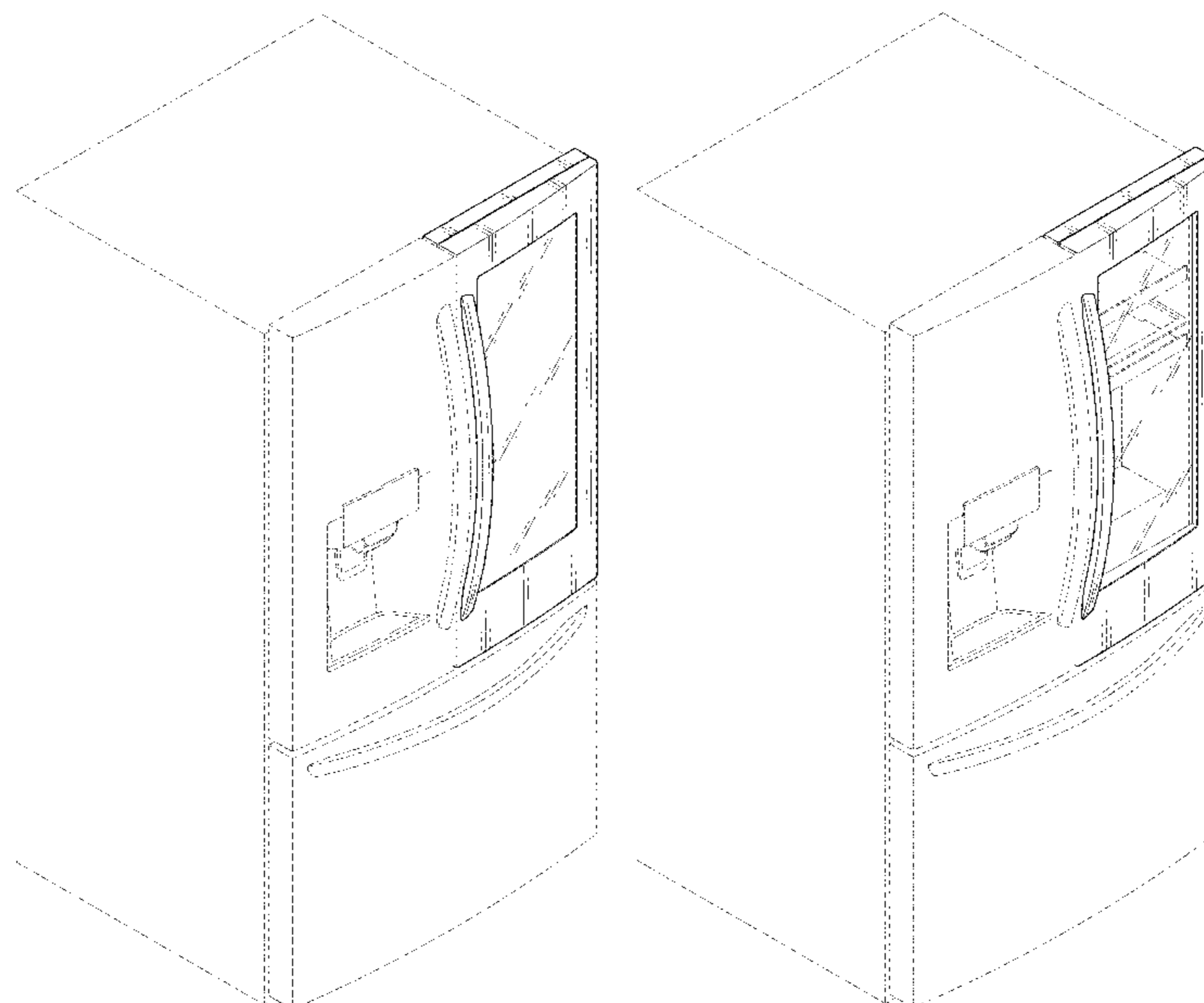
FIG. 13 is a front elevation view with its inner and outer doors opened respectively;

FIG. 14 is a right-side elevation view with its inner and outer doors opened respectively;

FIG. 15 is a top plan view with its inner and outer doors opened respectively; and,

FIG. 16 is a perspective view showing an illustration of use with its double door closed, the inside thereof being seen.

**1 Claim, 15 Drawing Sheets**



(58) **Field of Classification Search**  
CPC .... F25D 23/00; F25D 2323/021; F25D 11/00;  
F25D 2323/024; F25D 23/04; F25D  
25/024; F25D 27/005; F25D 23/12; F25D  
29/005; F25D 17/042; F25D 2325/021  
See application file for complete search history.

(56) **References Cited**

U.S. PATENT DOCUMENTS

D722,625	S	*	2/2015	Cho	.....	D15/89
D723,595	S	*	3/2015	You	.....	D15/91
D730,958	S	*	6/2015	Choi	.....	D15/91
D742,437	S	*	11/2015	Choi	.....	D15/91
D744,551	S	*	12/2015	Park	.....	D15/91
D757,131	S	*	5/2016	Lee	.....	D15/91
D759,132	S	*	6/2016	Kwon	.....	D15/91
D760,819	S	*	7/2016	Lee	.....	D15/86
D760,820	S	*	7/2016	Lee	.....	D15/91
D760,821	S	*	7/2016	Lee	.....	D15/91

D760,822	S	*	7/2016	Lee	.....	D15/91
D760,823	S	*	7/2016	Lee	.....	D15/91
D760,824	S	*	7/2016	Lee	.....	D15/91
D761,333	S	*	7/2016	Lee	.....	D15/86
D761,334	S	*	7/2016	Lee	.....	D15/86
D761,336	S	*	7/2016	Lee	.....	D15/91
D765,151	S	*	8/2016	Park	.....	D15/81
D768,738	S	*	10/2016	Lee	.....	D15/91
D768,739	S	*	10/2016	Lee	.....	D15/91

OTHER PUBLICATIONS

<http://refrigerators.reviewed.com/news/this-lg-fridge-lets-you-see-whats-inside-without-opening-it>—Published Aug. 24, 2016.\*  
<http://www.samsung.com/us/home-appliances/refrigerators/french-door/36-wide-28-cu-ft-capacity-3-door-french-door-food-show-case-refrigerator-black-rf28hdedpbc-aa/>—As early as Jun. 19, 2014.\*

\* cited by examiner

FIG. 1

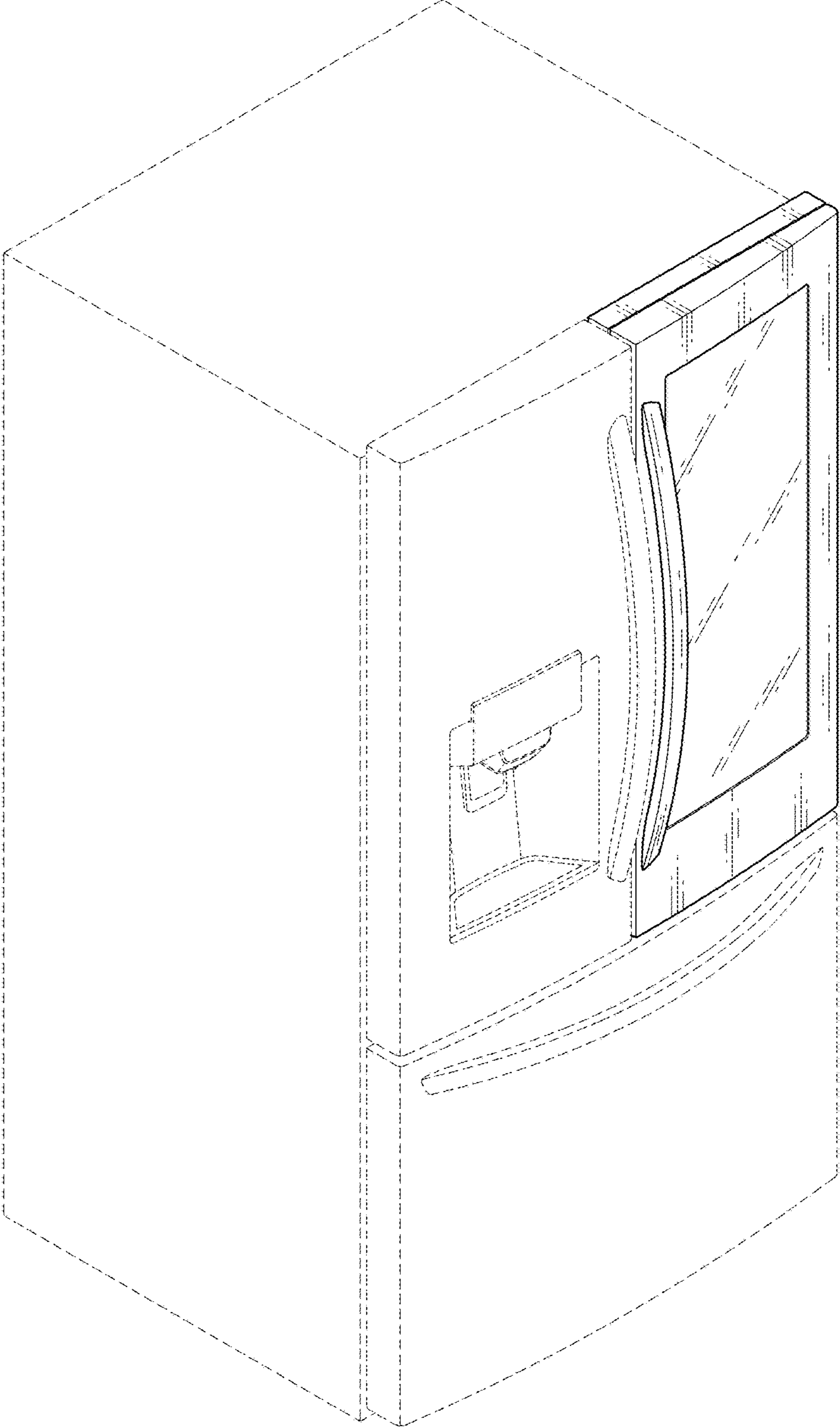


FIG. 2

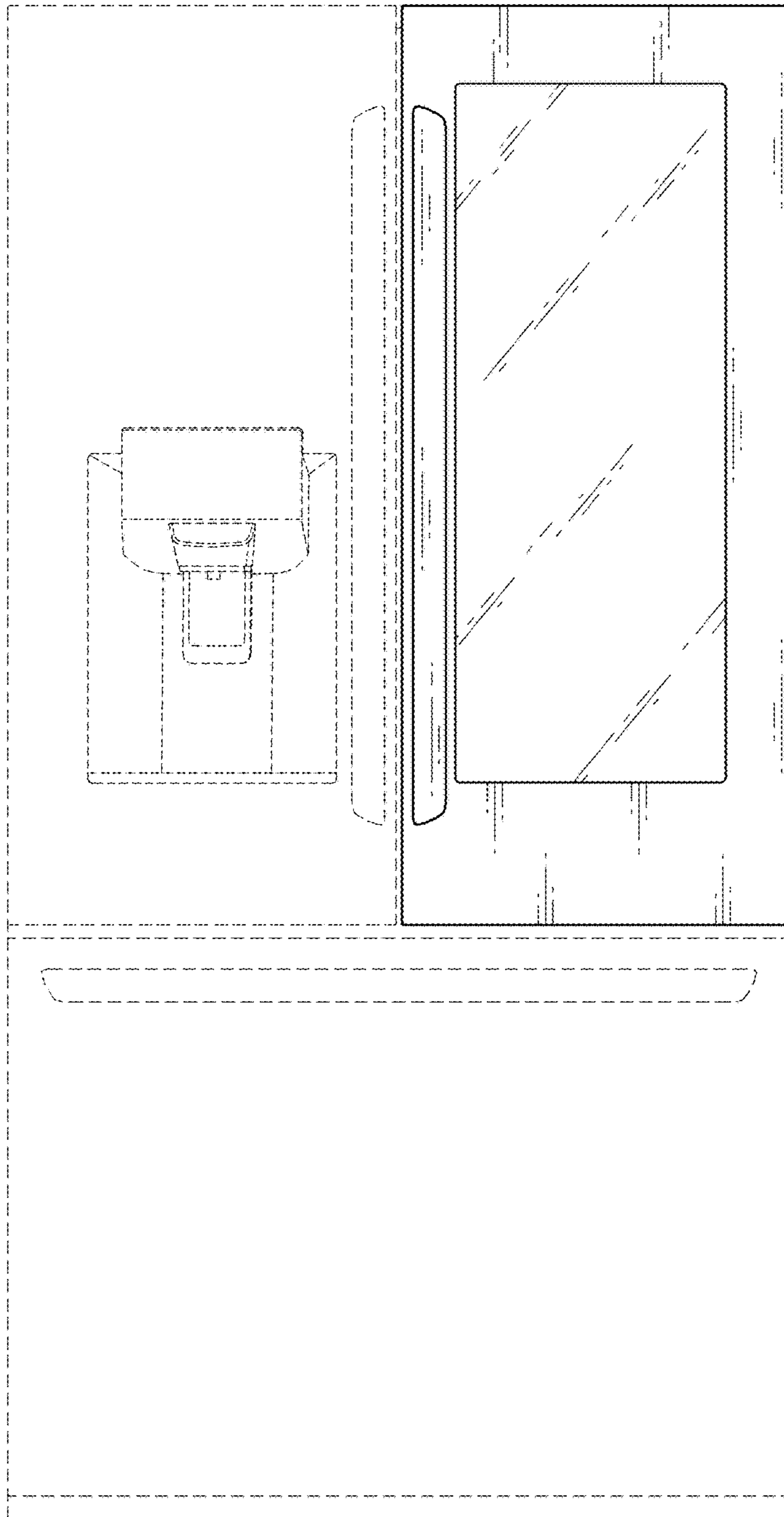


FIG. 3



FIG. 4

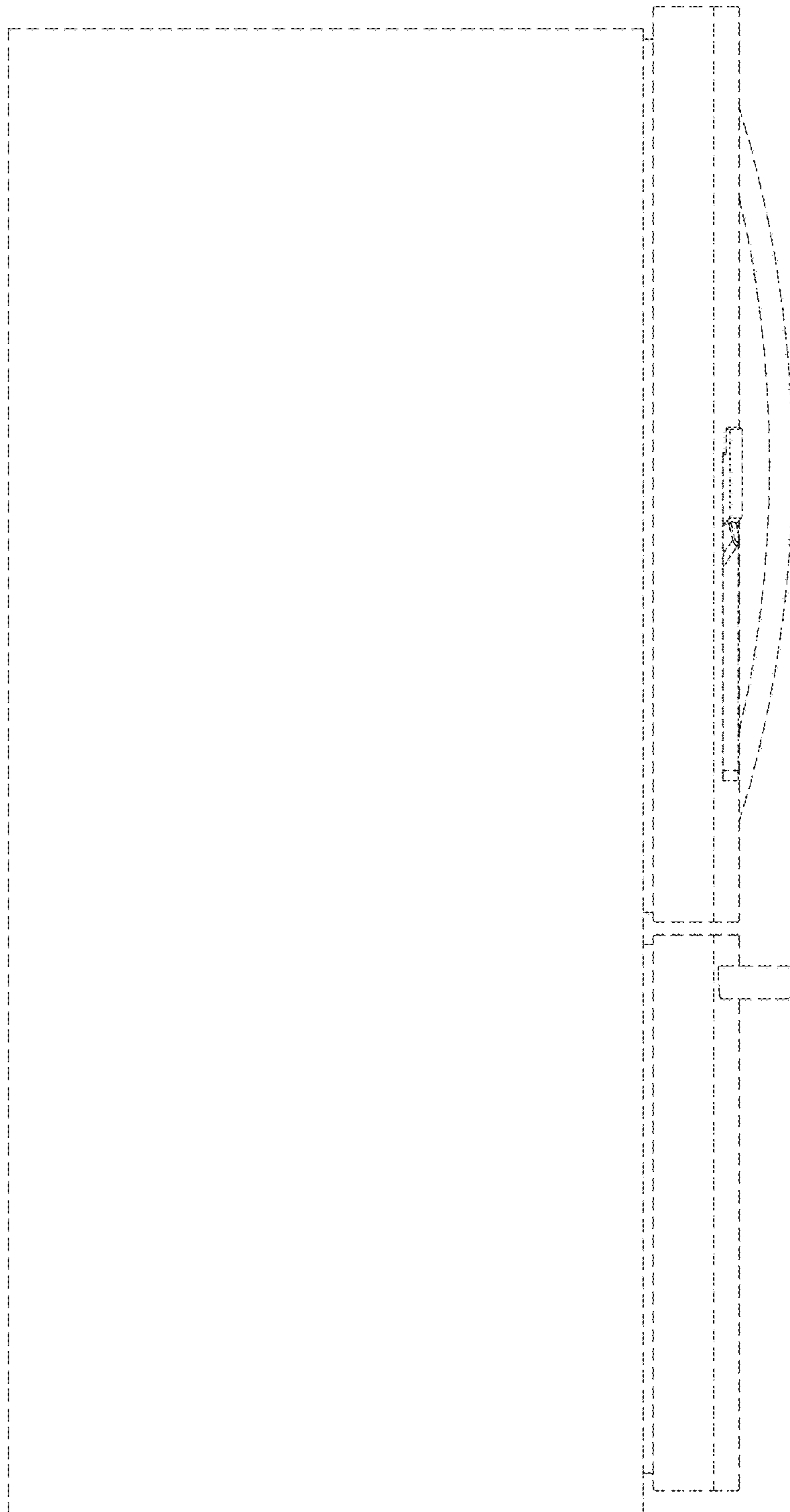


FIG. 5

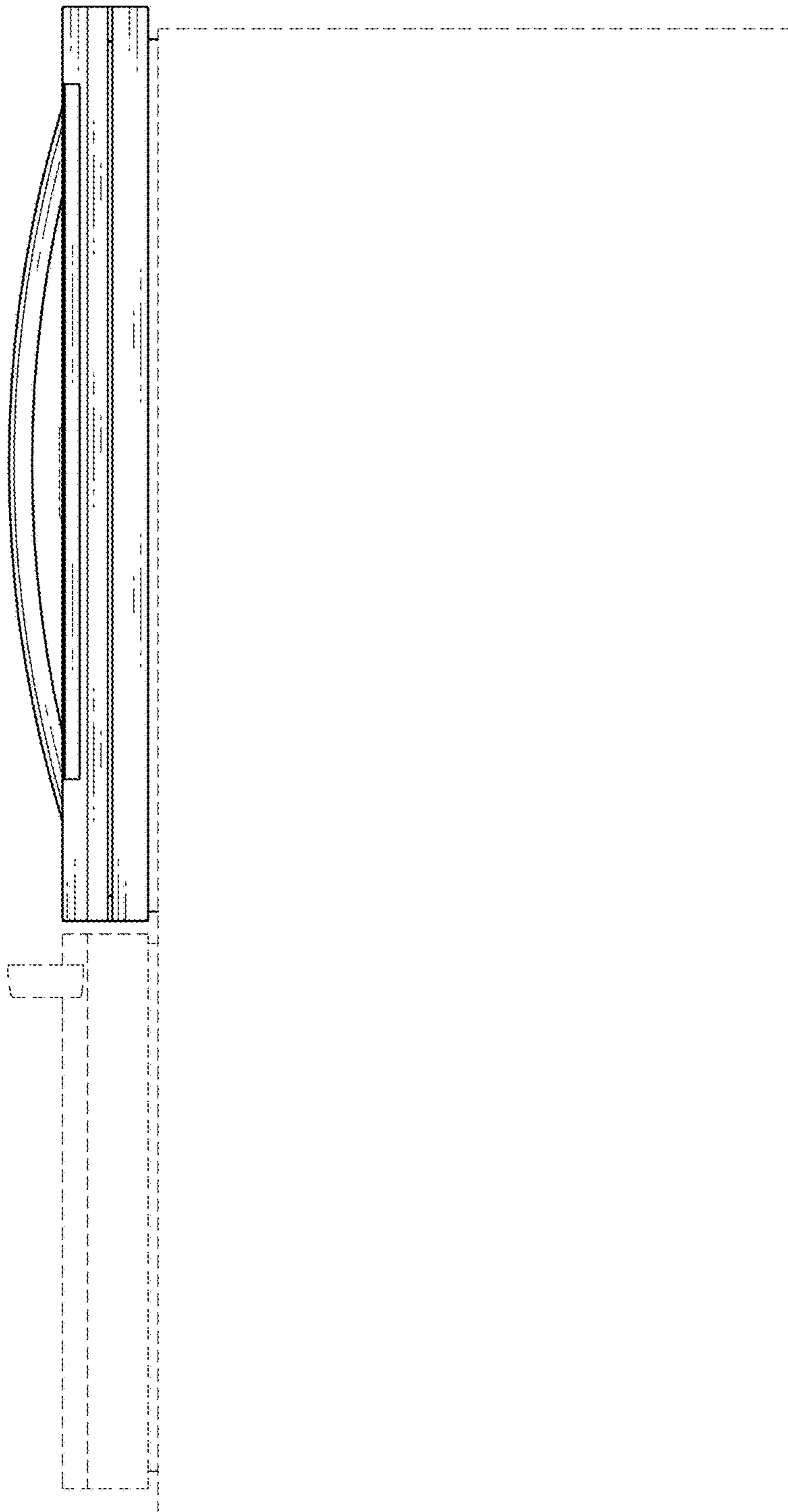


FIG. 6

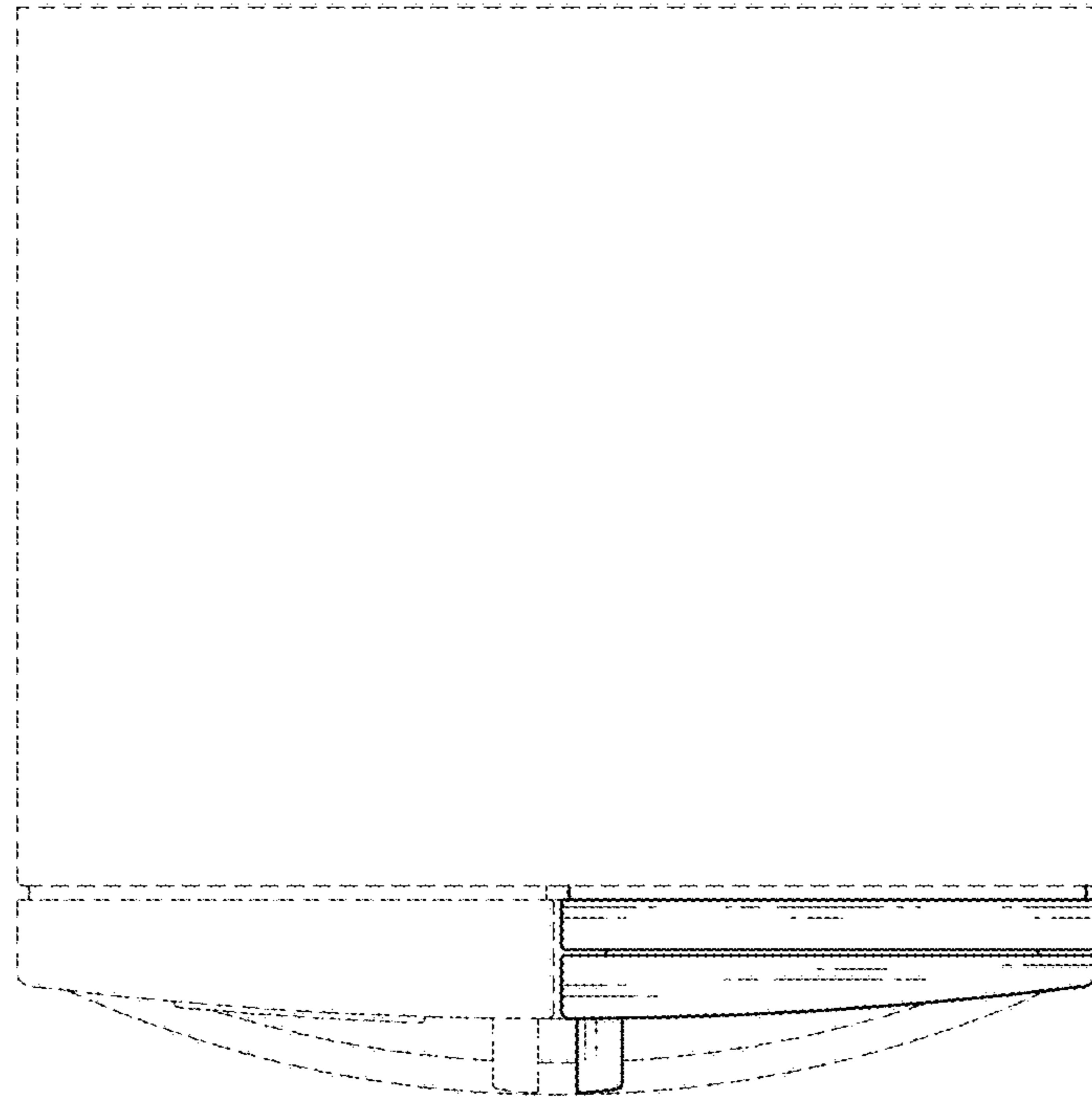


FIG. 7

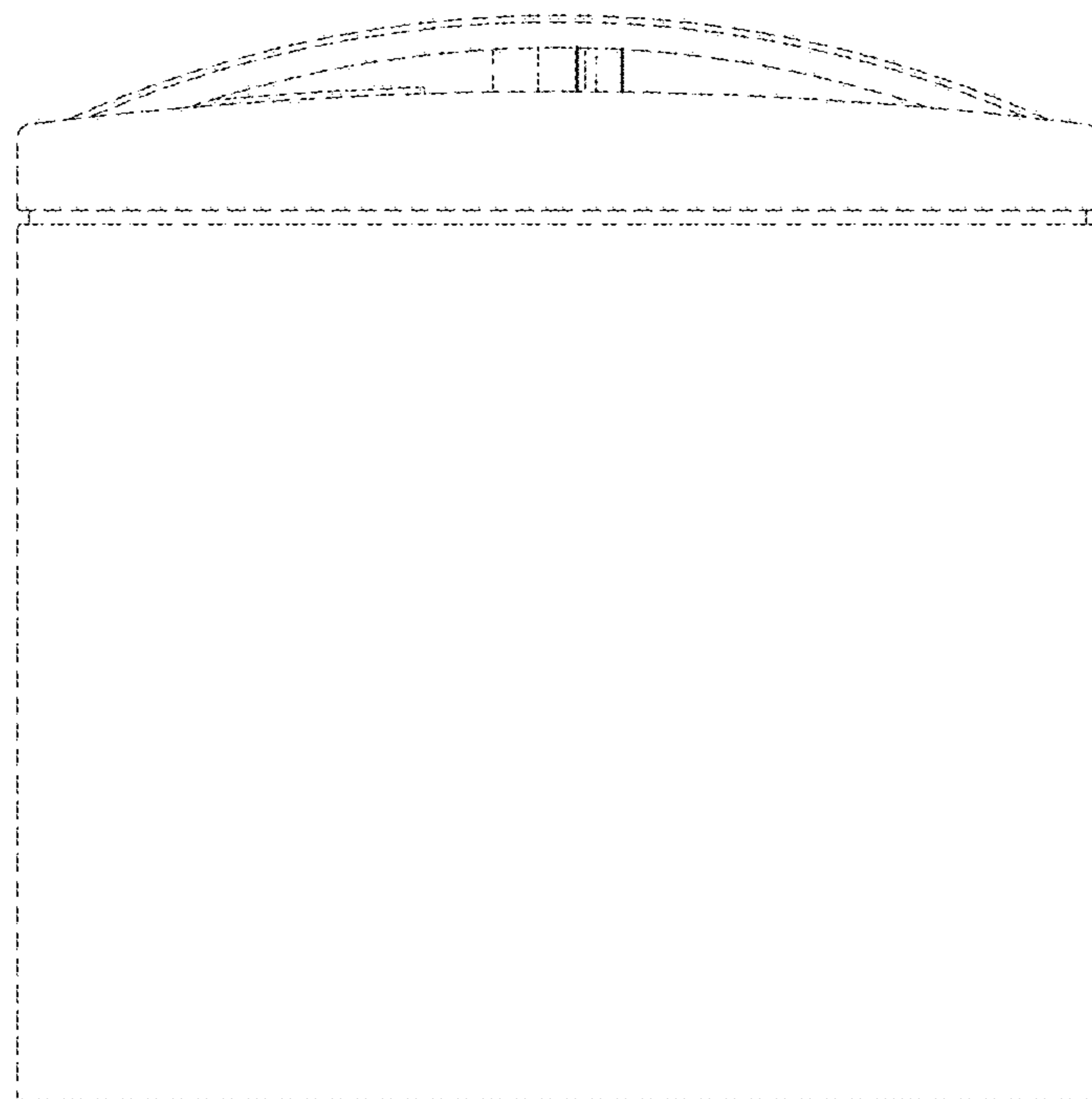




FIG. 8

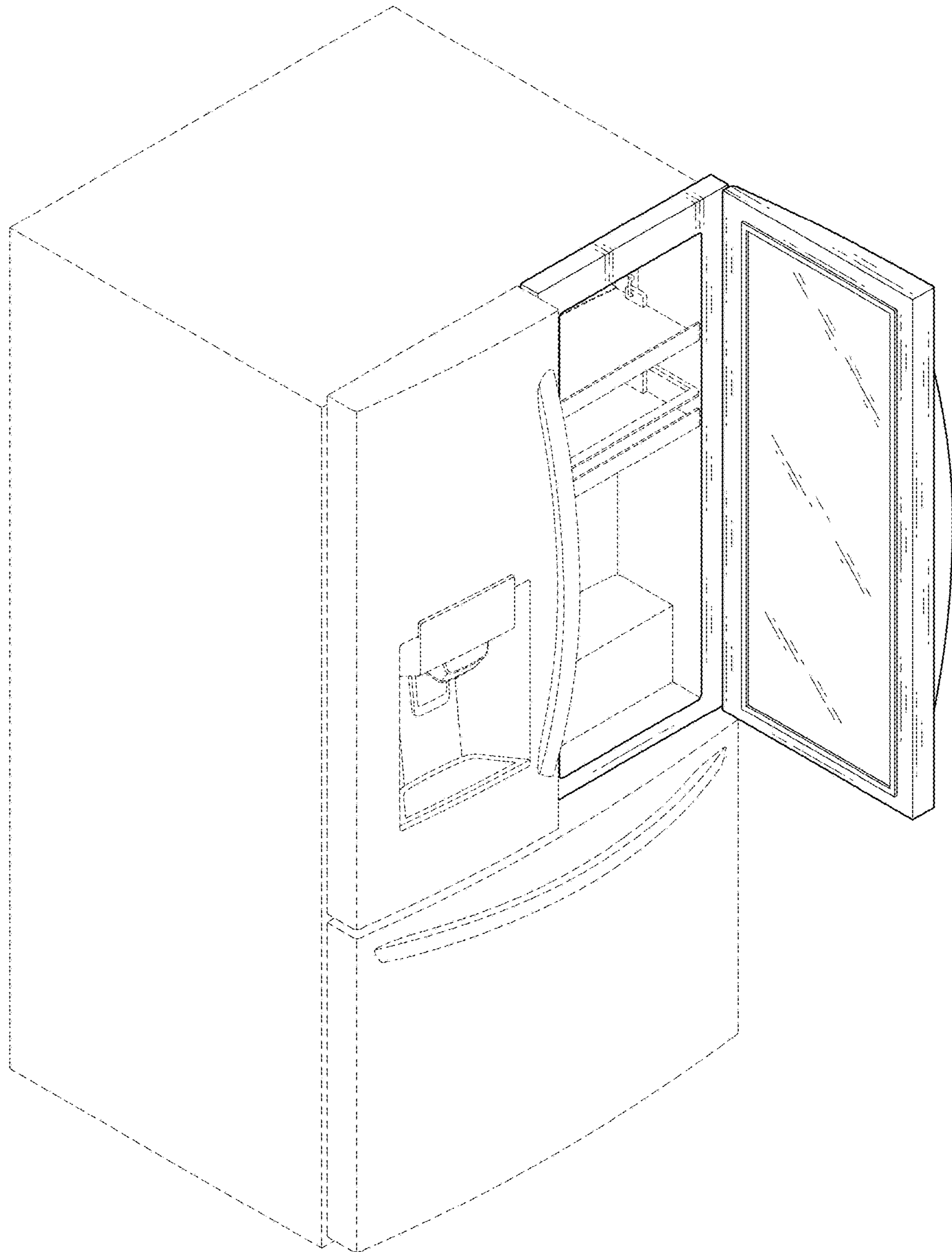


FIG. 9

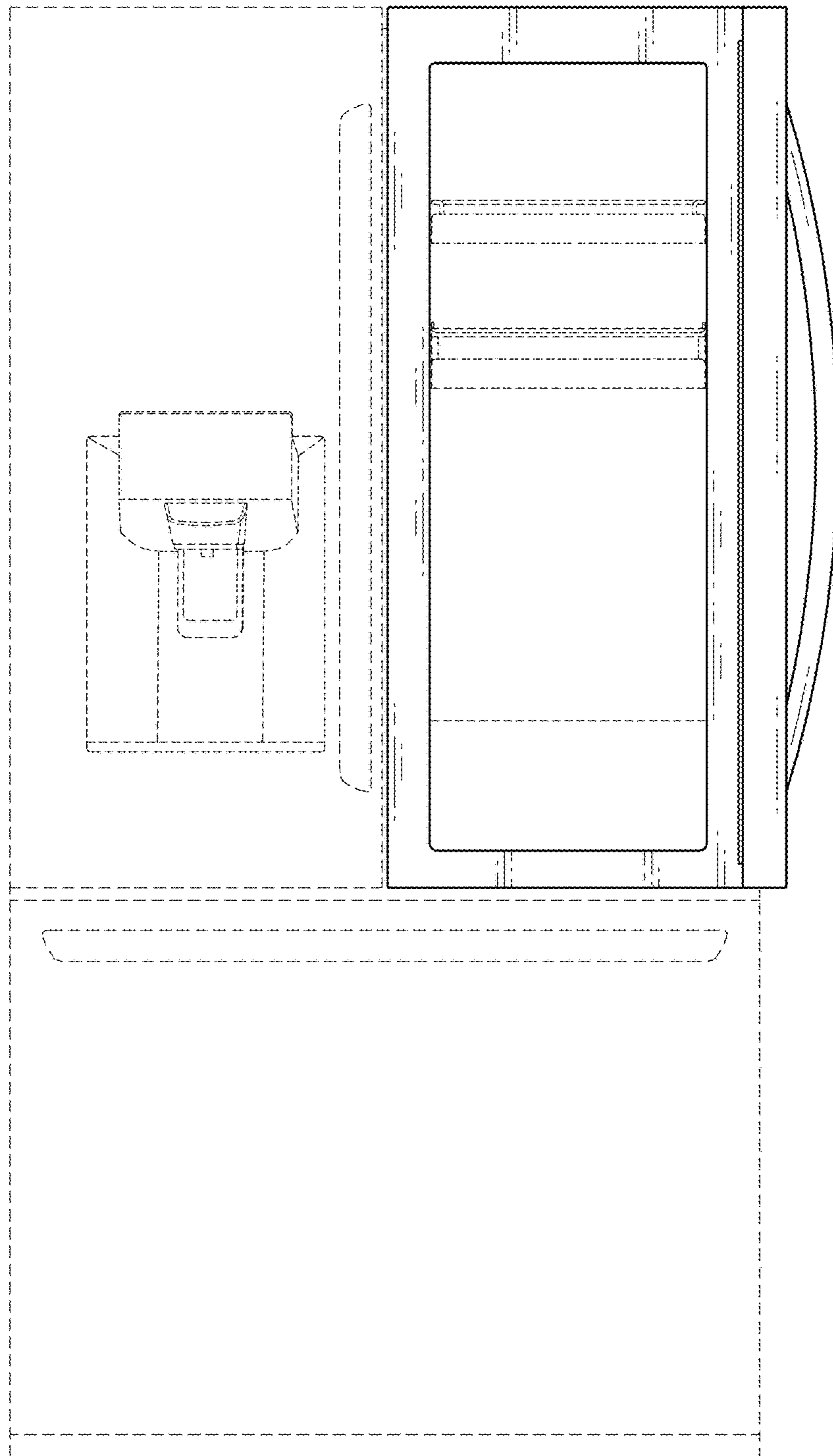


FIG. 10

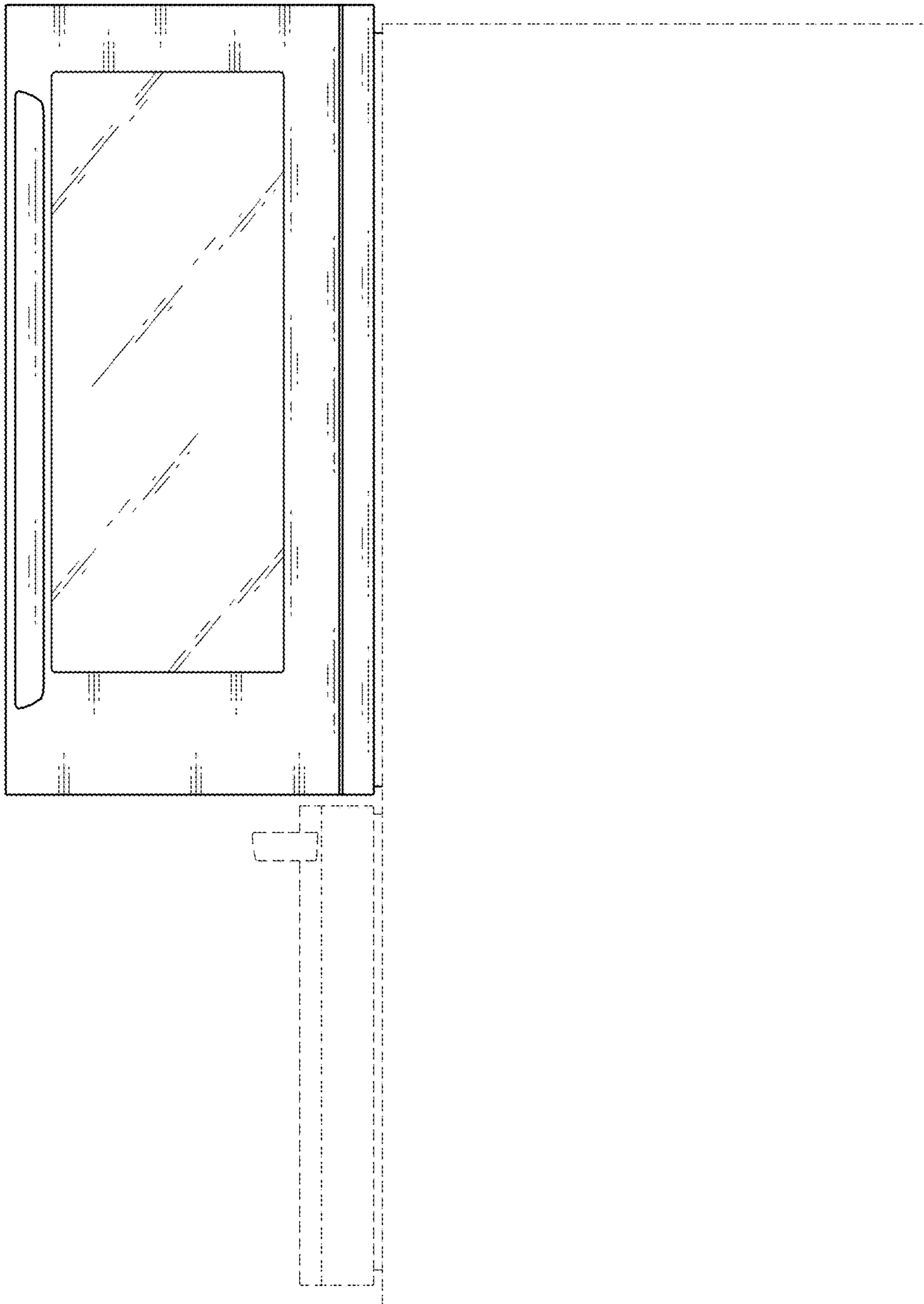


FIG. 11

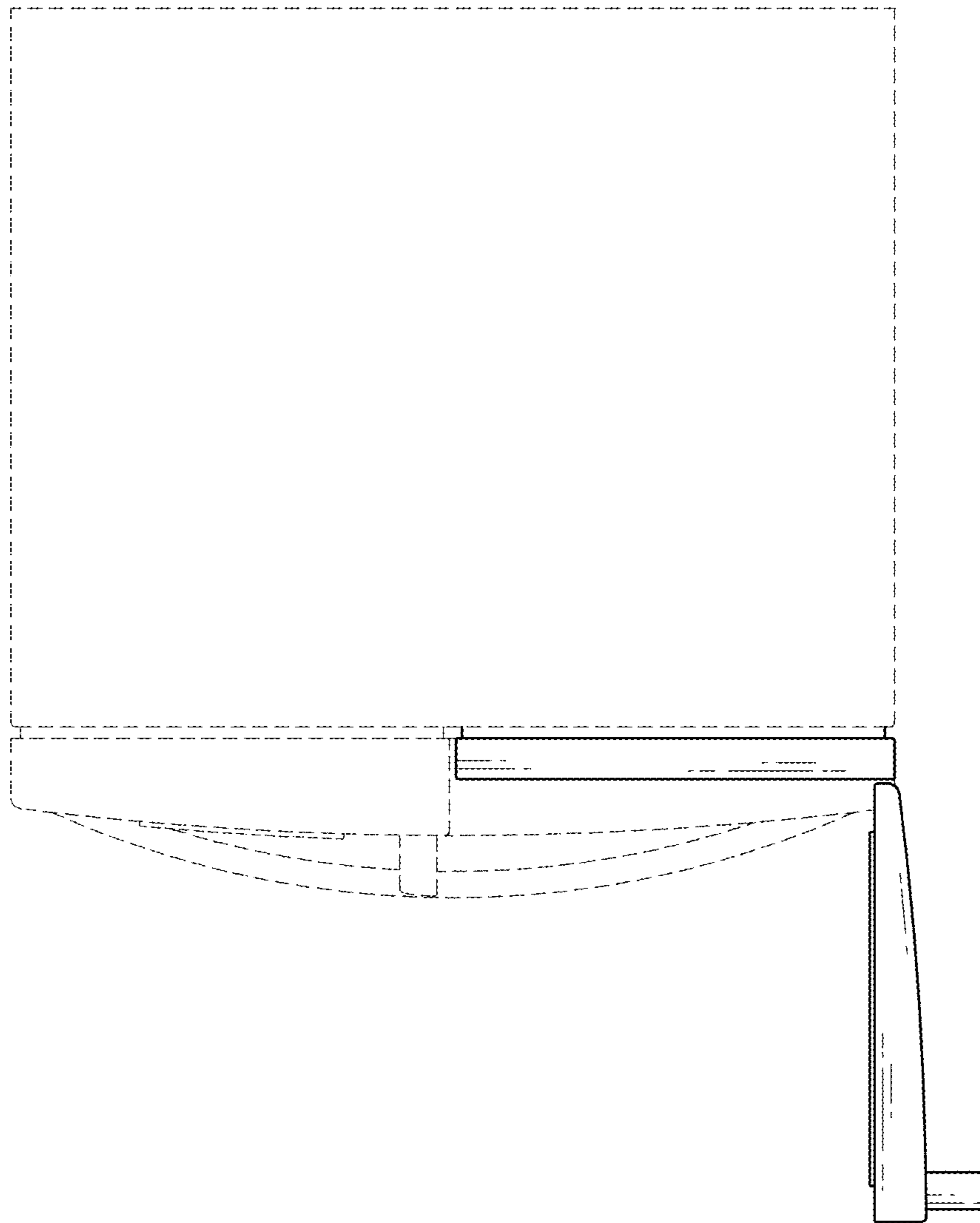


FIG. 12

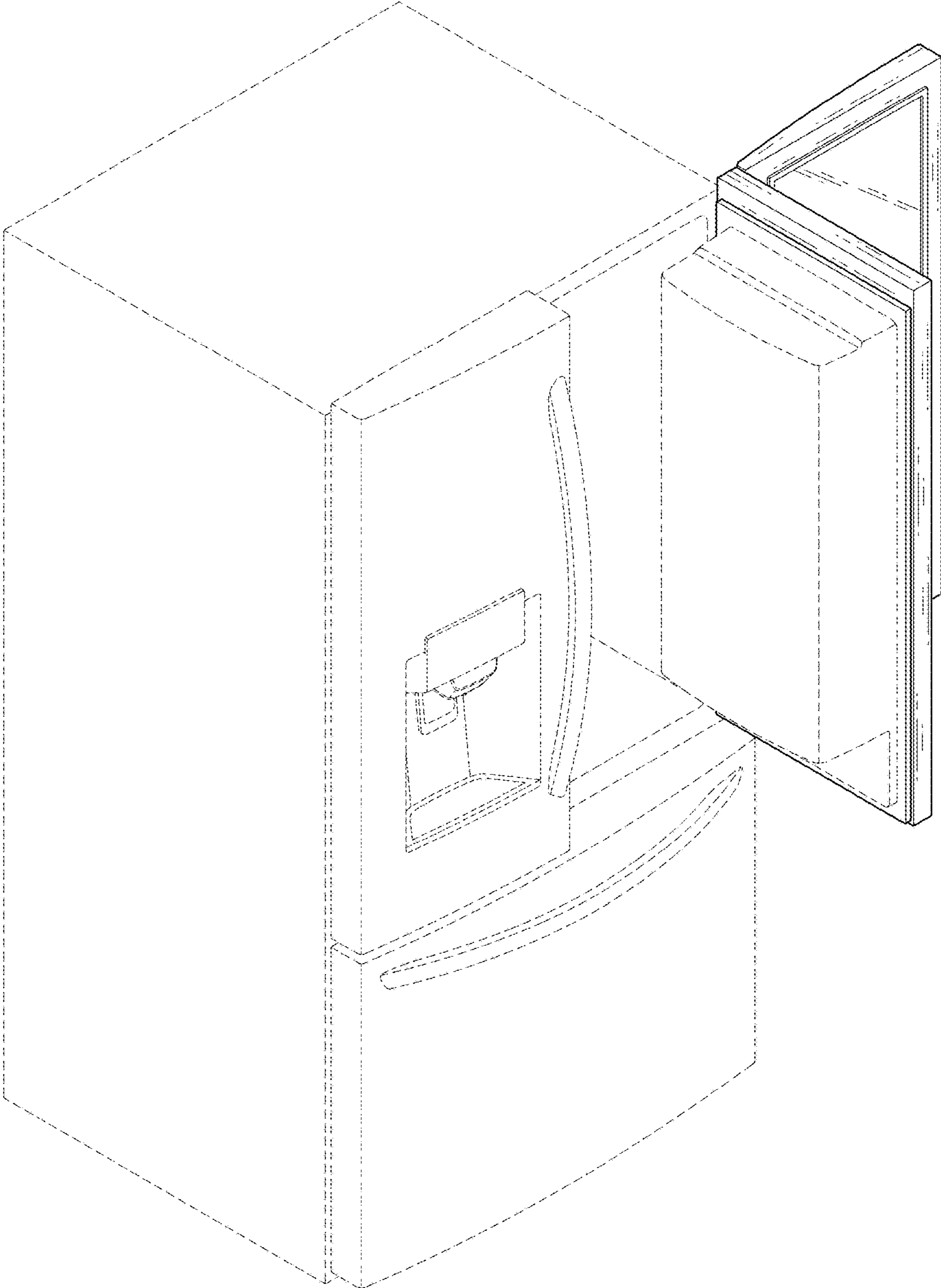


FIG. 13

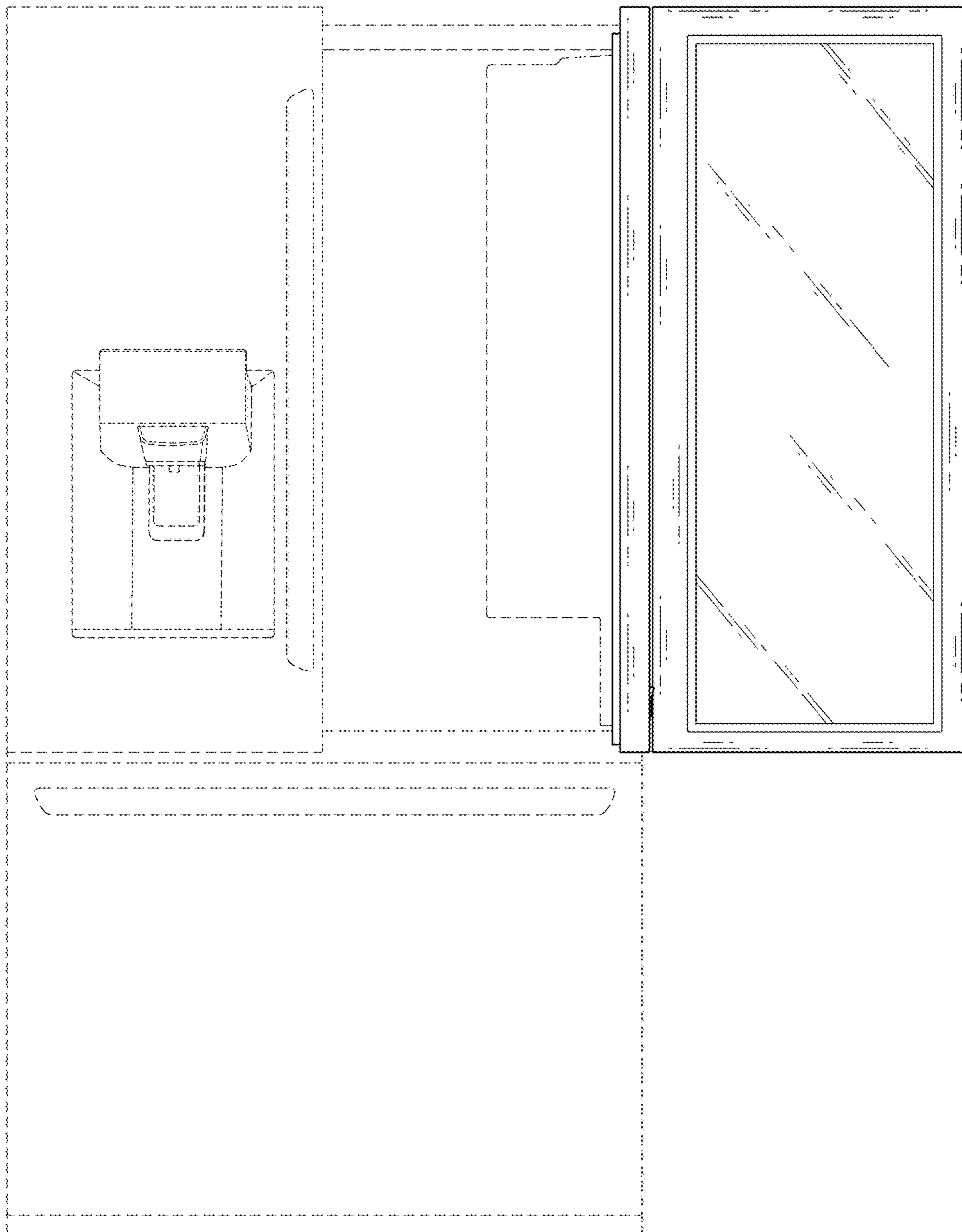


FIG. 14

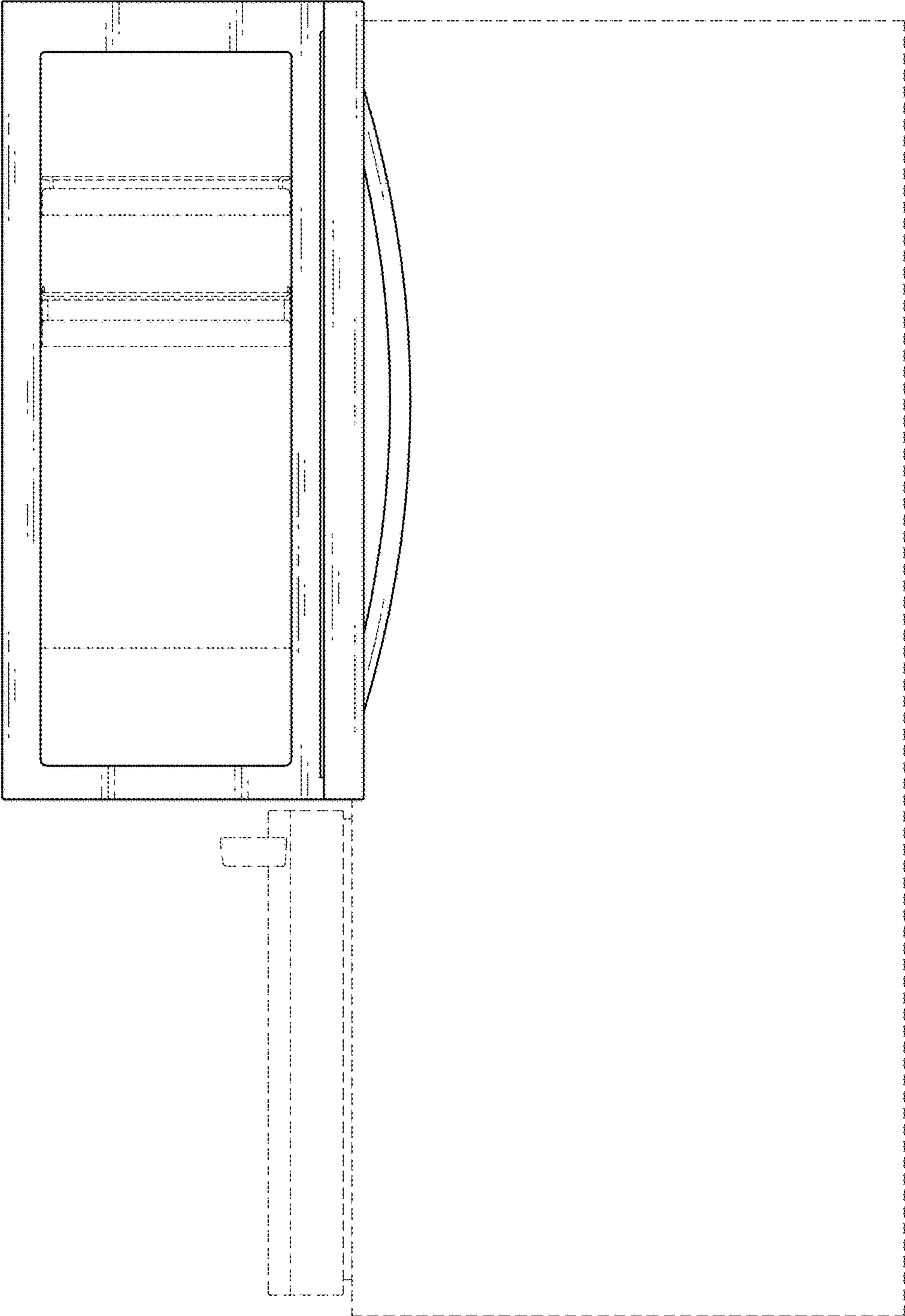


FIG. 15

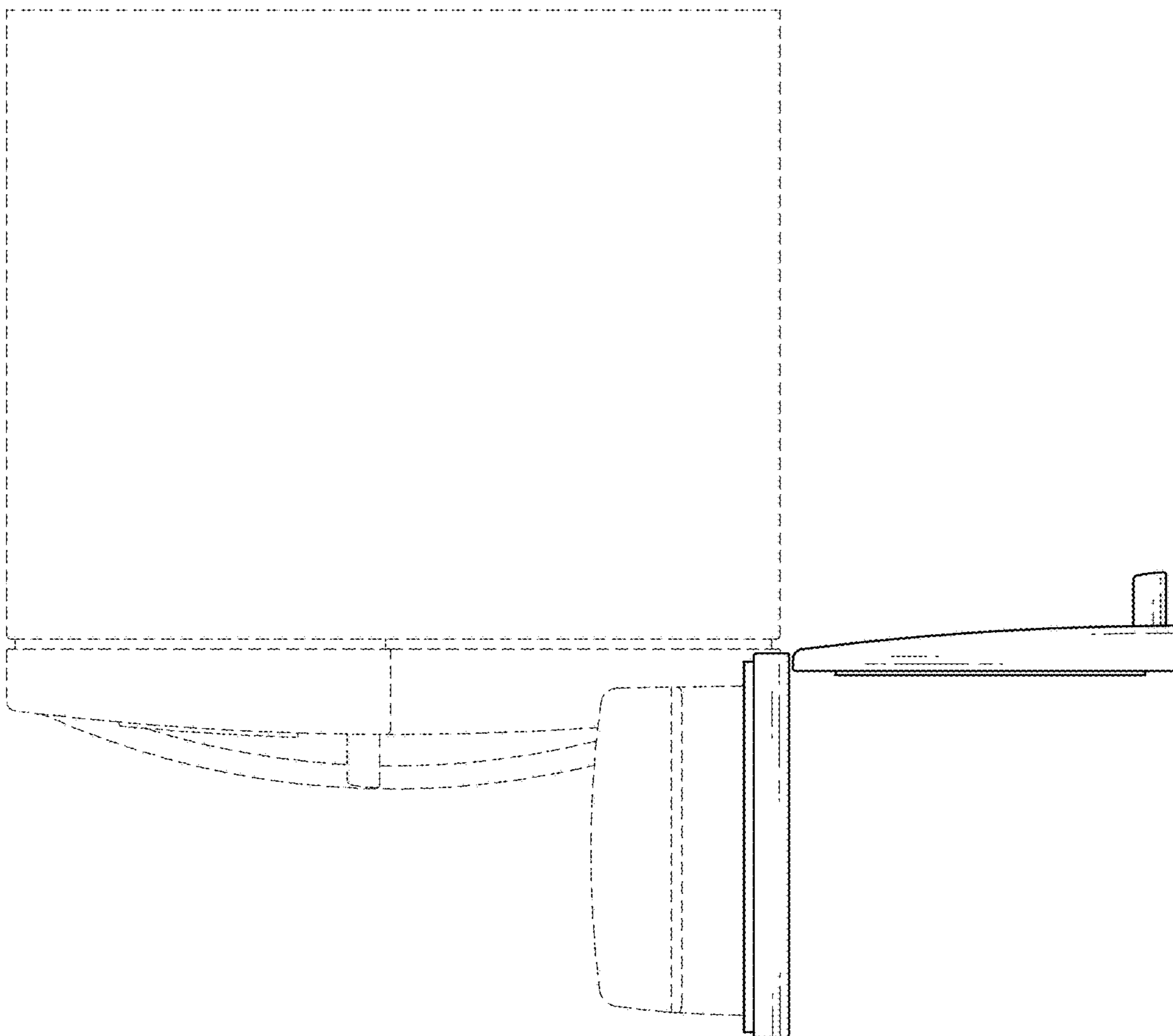




FIG. 16

