



US00D780813S

(12) **United States Design Patent**  
**Cory et al.**

(10) **Patent No.:** **US D780,813 S**

(45) **Date of Patent:** **\*\* Mar. 7, 2017**

(54) **FILLER BAR**

(71) Applicants: **Mark David Cory**, Bluffton, SC (US);  
**Joseph William Thomas**, Richmond Hill, GA (US); **Harold Eugene Davis, Jr.**, Lyons, GA (US)

(72) Inventors: **Mark David Cory**, Bluffton, SC (US);  
**Joseph William Thomas**, Richmond Hill, GA (US); **Harold Eugene Davis, Jr.**, Lyons, GA (US)

(\*\*) Term: **15 Years**

(21) Appl. No.: **29/548,792**

(22) Filed: **Dec. 16, 2015**

(51) **LOC (10) Cl.** ..... **15-03**

(52) **U.S. Cl.**  
USPC ..... **D15/28**

(58) **Field of Classification Search**  
USPC .... D15/28, 147, 199; 19/55 A, 55 R, 66 CC  
CPC ..... D01B 1/08; D01G 23/00  
See application file for complete search history.

(56) **References Cited**

**U.S. PATENT DOCUMENTS**

|         |     |         |            |       |           |         |
|---------|-----|---------|------------|-------|-----------|---------|
| 132,217 | A * | 10/1872 | Robison    | ..... | D01B 1/08 | 19/62 R |
| 206,847 | A * | 8/1878  | Williams   | ..... | D01B 1/08 | 19/62 R |
| 268,007 | A * | 11/1882 | Garlington | ..... | D01B 1/08 | 19/62 R |
| 310,193 | A * | 1/1885  | Edwards    | ..... | D01B 1/08 | 19/62 R |
| 417,849 | A * | 12/1889 | Abernethy  | ..... | D01B 1/08 | 19/62 R |

|           |     |         |           |       |            |         |
|-----------|-----|---------|-----------|-------|------------|---------|
| D33,196   | S * | 9/1900  | Martien   | ..... | D15/28     |         |
| 3,162,903 | A * | 12/1964 | Wallace   | ..... | D01B 1/08  | 19/59   |
| D275,679  | S * | 9/1984  | Bradshaw  | ..... | D15/28     |         |
| 4,850,083 | A * | 7/1989  | France    | ..... | D01B 1/08  | 19/62 R |
| 5,546,855 | A * | 8/1996  | Van Doorn | ..... | B65B 27/12 | 100/11  |
| 5,979,018 | A * | 11/1999 | Albus     | ..... | D01B 1/08  | 19/48 R |

(Continued)

*Primary Examiner* — Mark Goodwin

(74) *Attorney, Agent, or Firm* — Veal Intellectual Property, LLC; Robert J. Veal

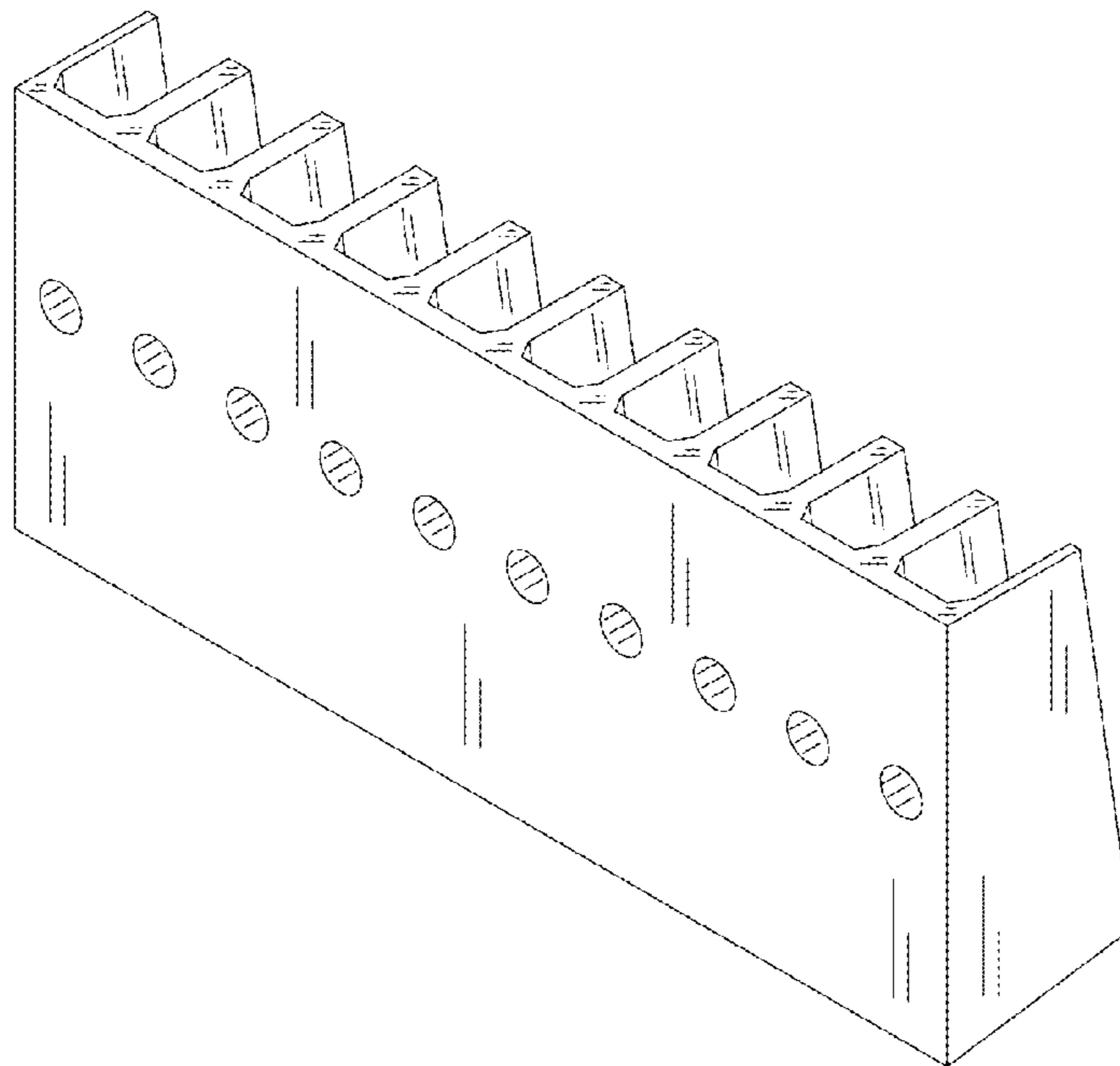
(57) **CLAIM**

The ornamental design for a filler bar, as shown and described.

**DESCRIPTION**

FIG. 1 is a perspective view of a back of the filler bar; FIG. 2 is an inverted perspective view the back of the filler bar shown in FIG. 1; FIG. 3 is a first perspective view of the front of the filler bar; FIG. 4 is a second perspective view of the front of the filler bar; FIG. 5 is an elevation view of the front of the filler bar; FIG. 6 is a elevation view of the back of the filler bar; FIG. 7 is a top plan view of the filler bar; FIG. 8 is a bottom plan view of the filler bar; FIG. 9 is an end view of the filler bar; and, FIG. 10 is an end view of the opposite end of the filler bar. Any shading shown in the figures is for illustrative purposes to show surface contours in the drawings only and forms no part of the invention.

**1 Claim, 4 Drawing Sheets**



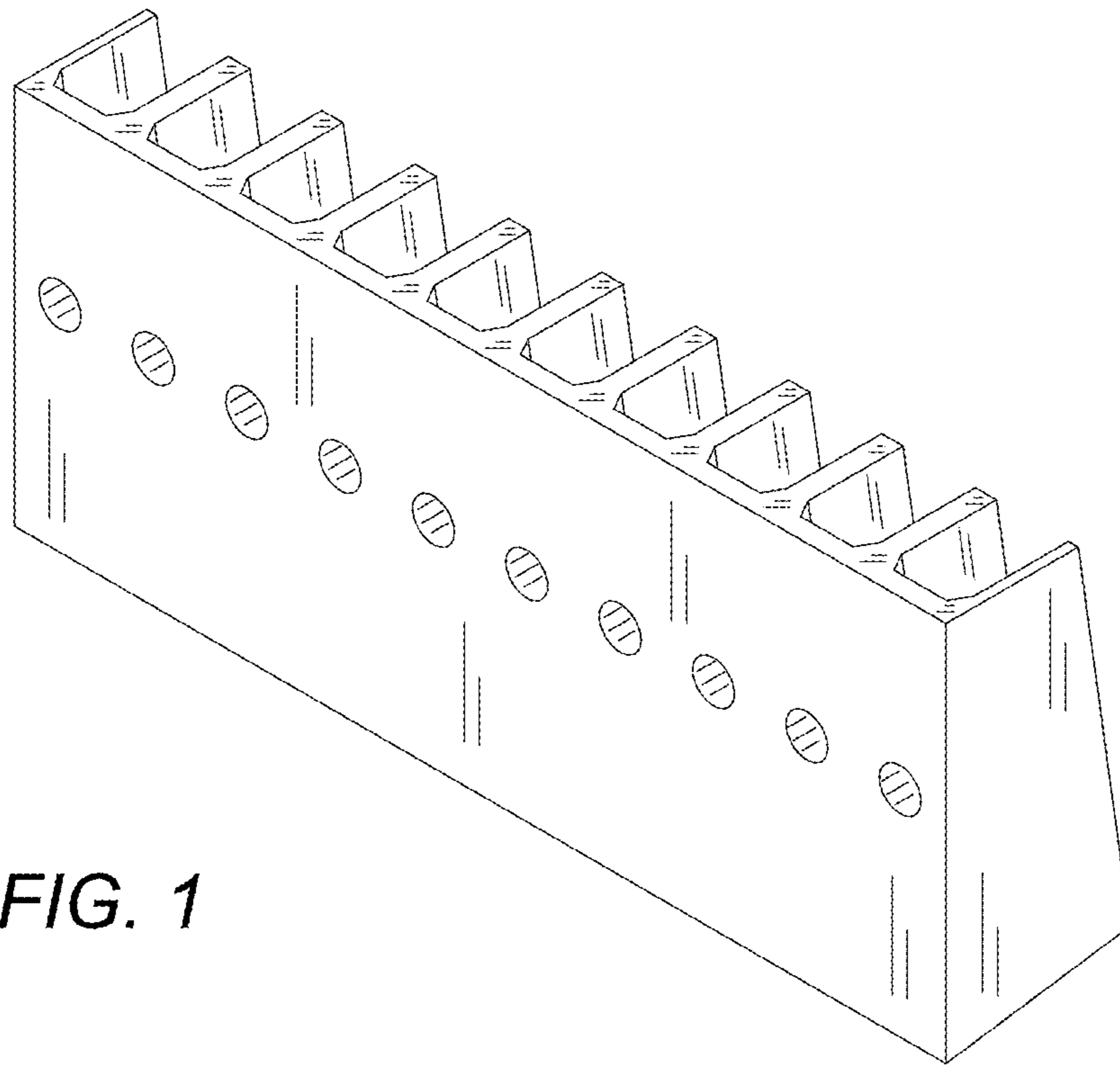
(56)

**References Cited**

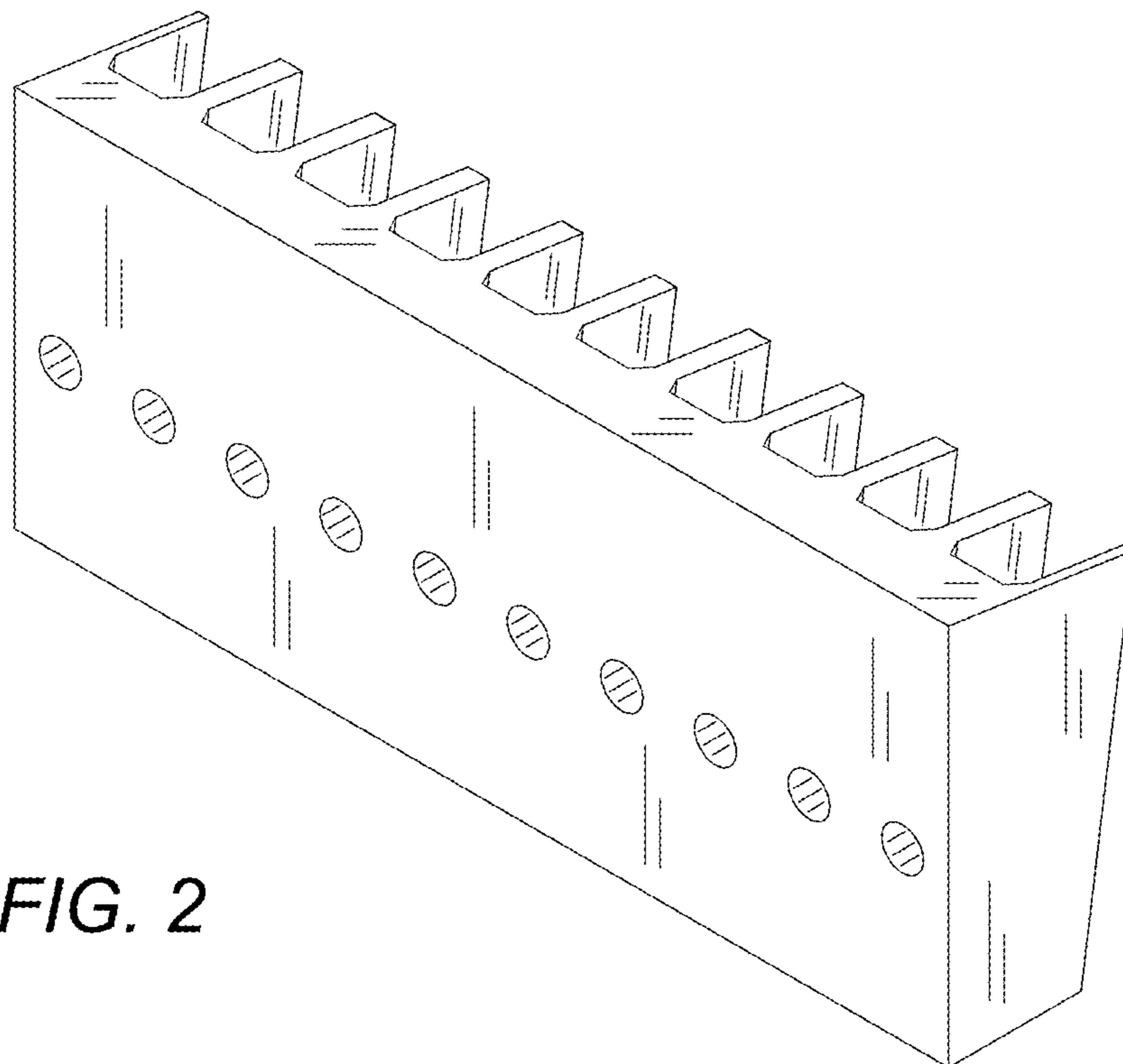
U.S. PATENT DOCUMENTS

6,079,082 A \* 6/2000 Riter ..... D01B 1/08  
19/48 R  
7,653,971 B2 \* 2/2010 Cory ..... D01G 23/00  
19/66 CC  
7,810,217 B2 \* 10/2010 Cory ..... D01B 1/08  
19/55 A

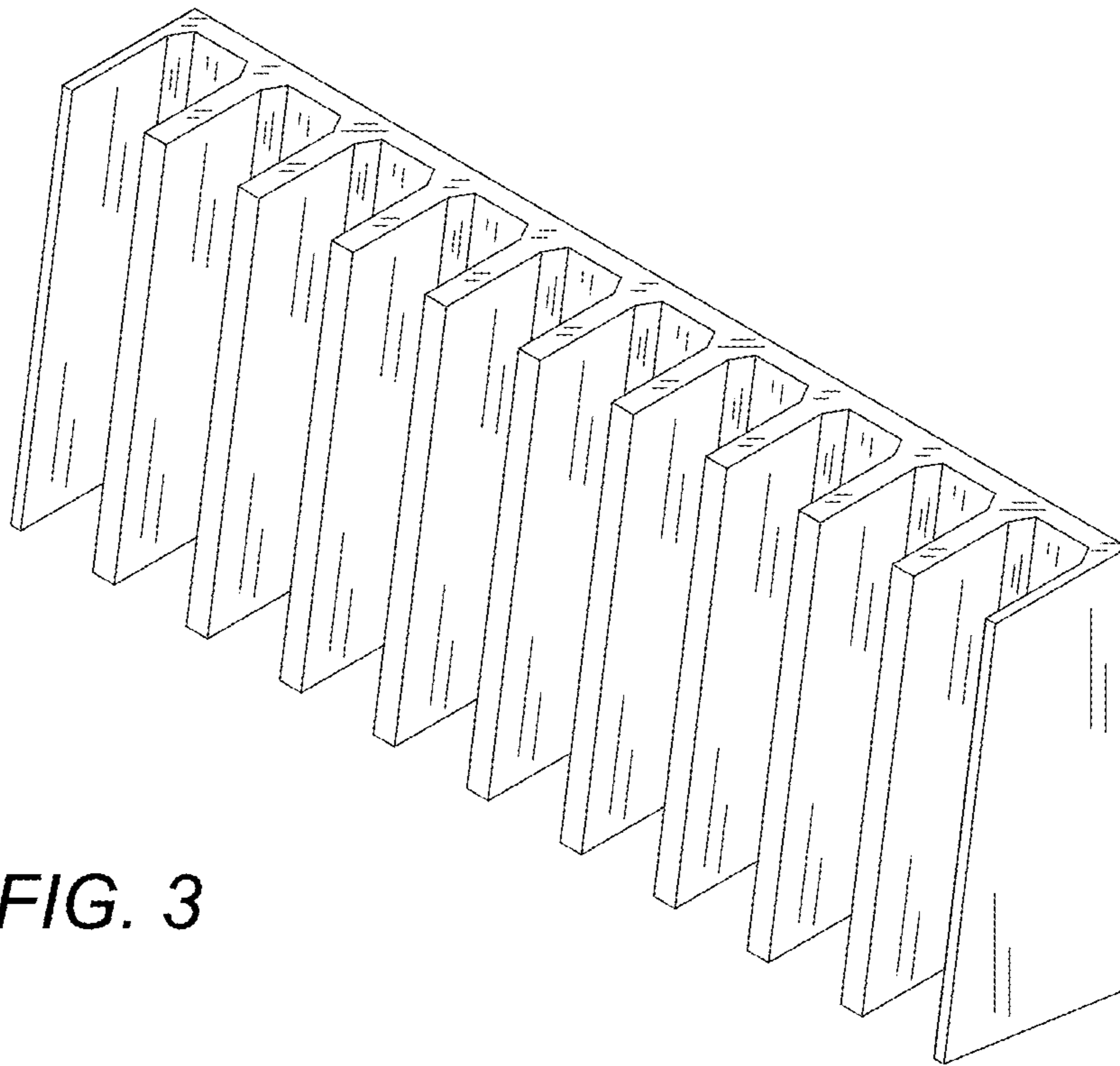
\* cited by examiner



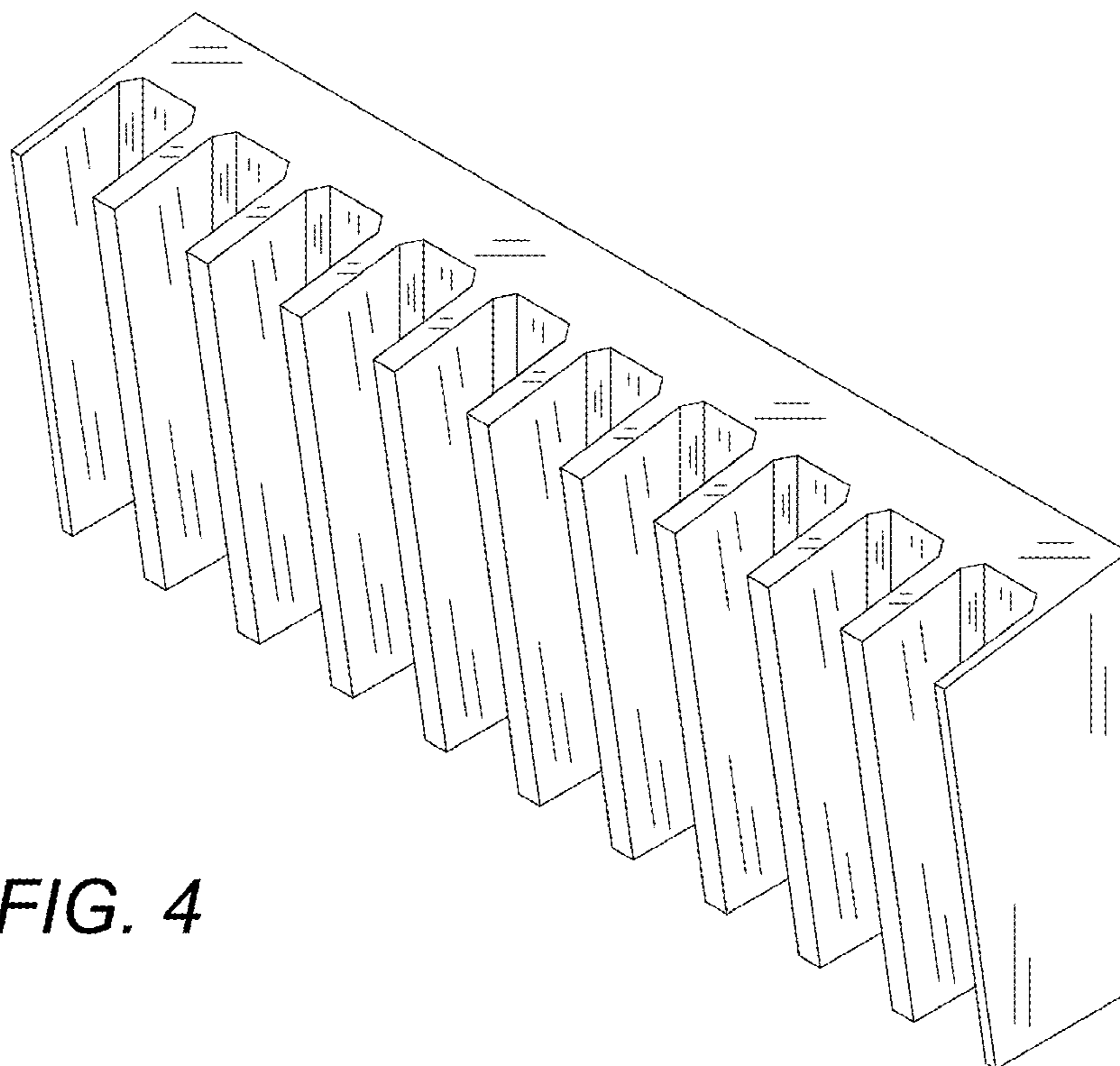
**FIG. 1**



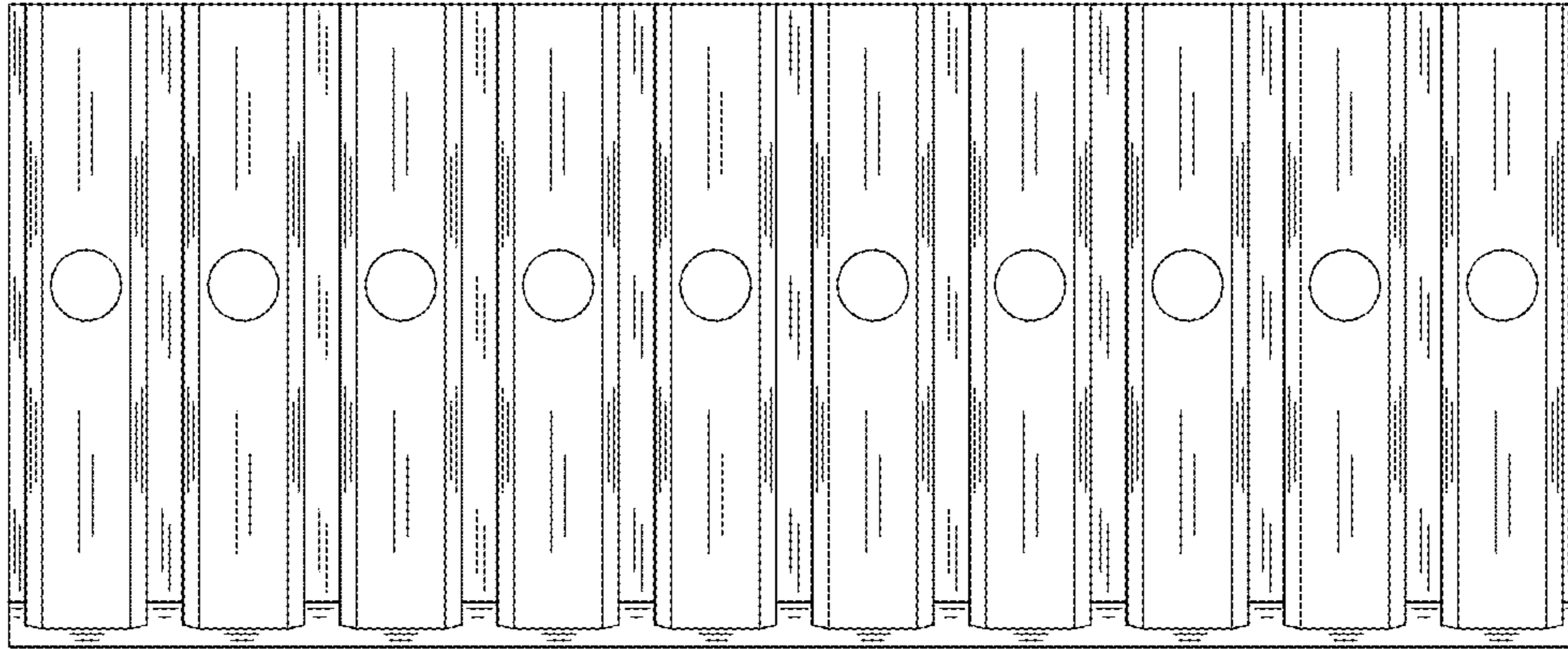
**FIG. 2**



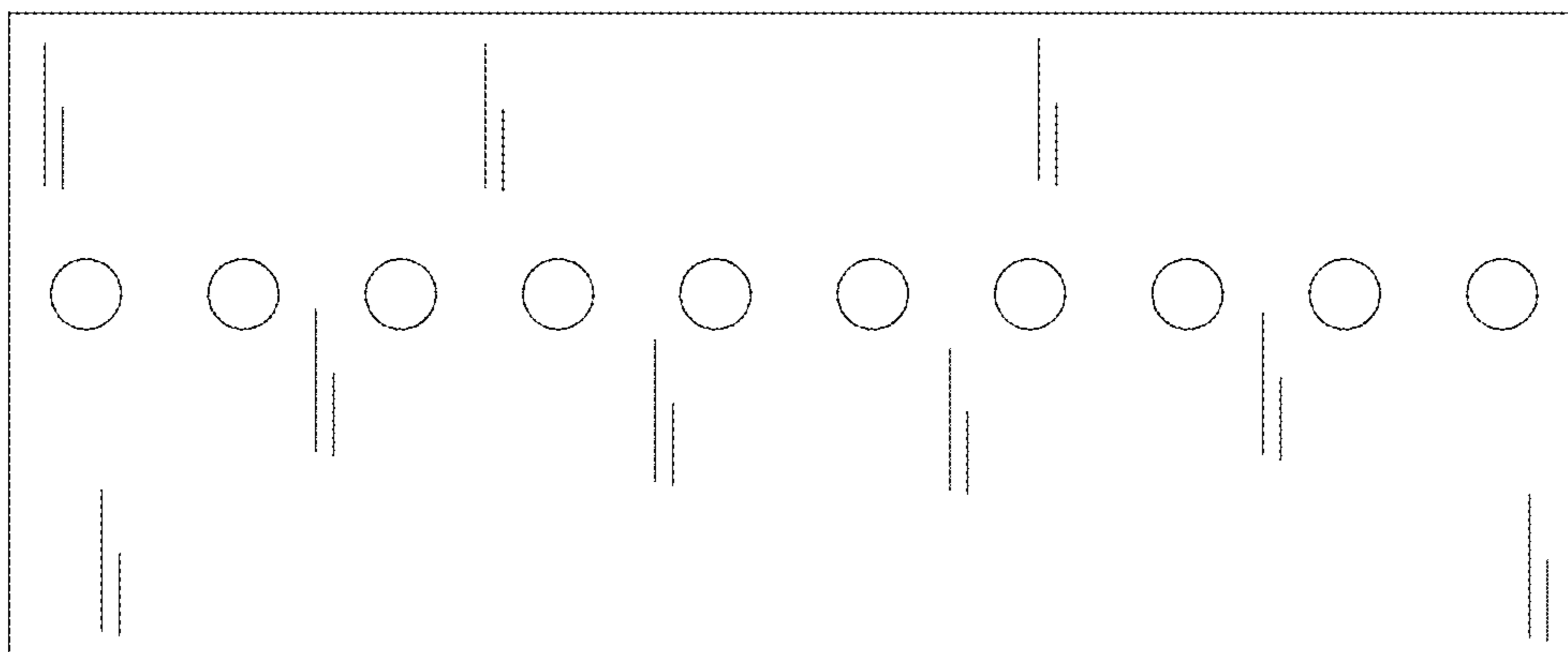
**FIG. 3**



**FIG. 4**



*FIG. 5*



*FIG. 6*

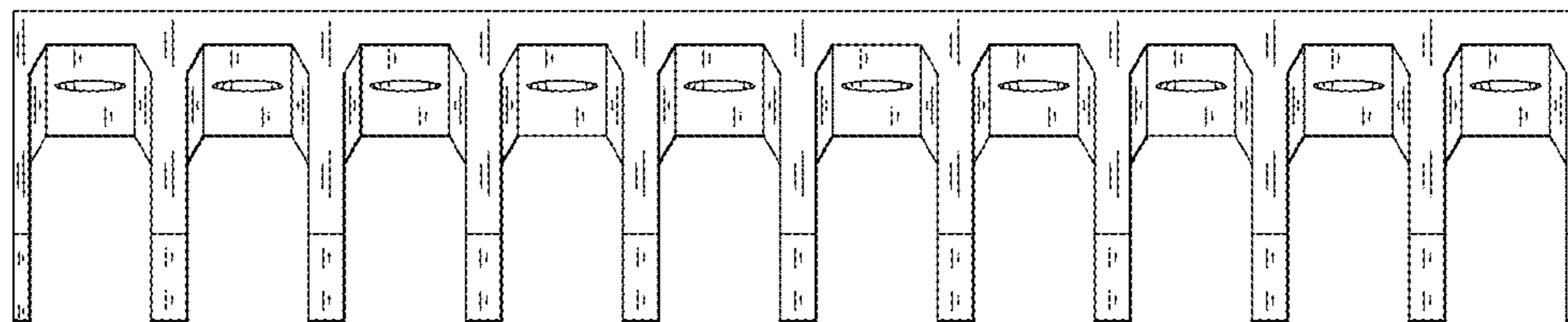


FIG. 7

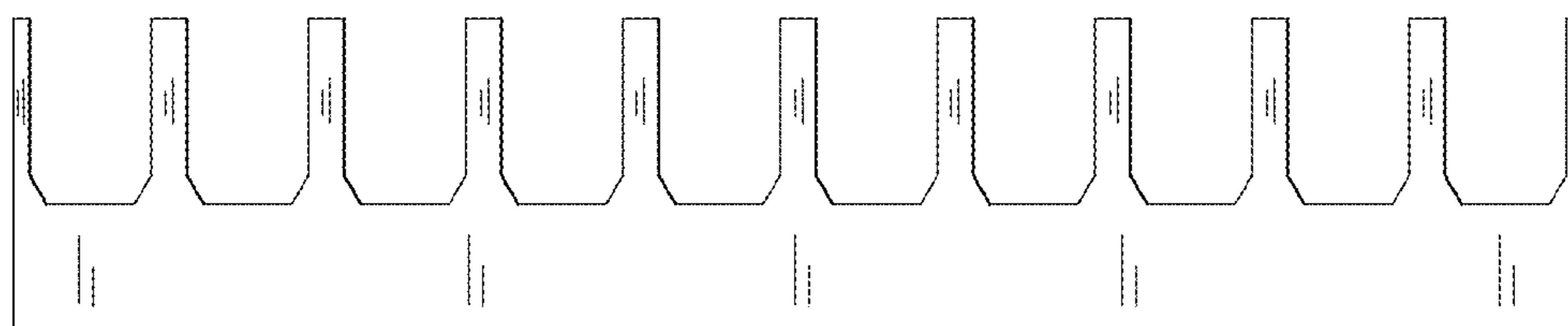


FIG. 8

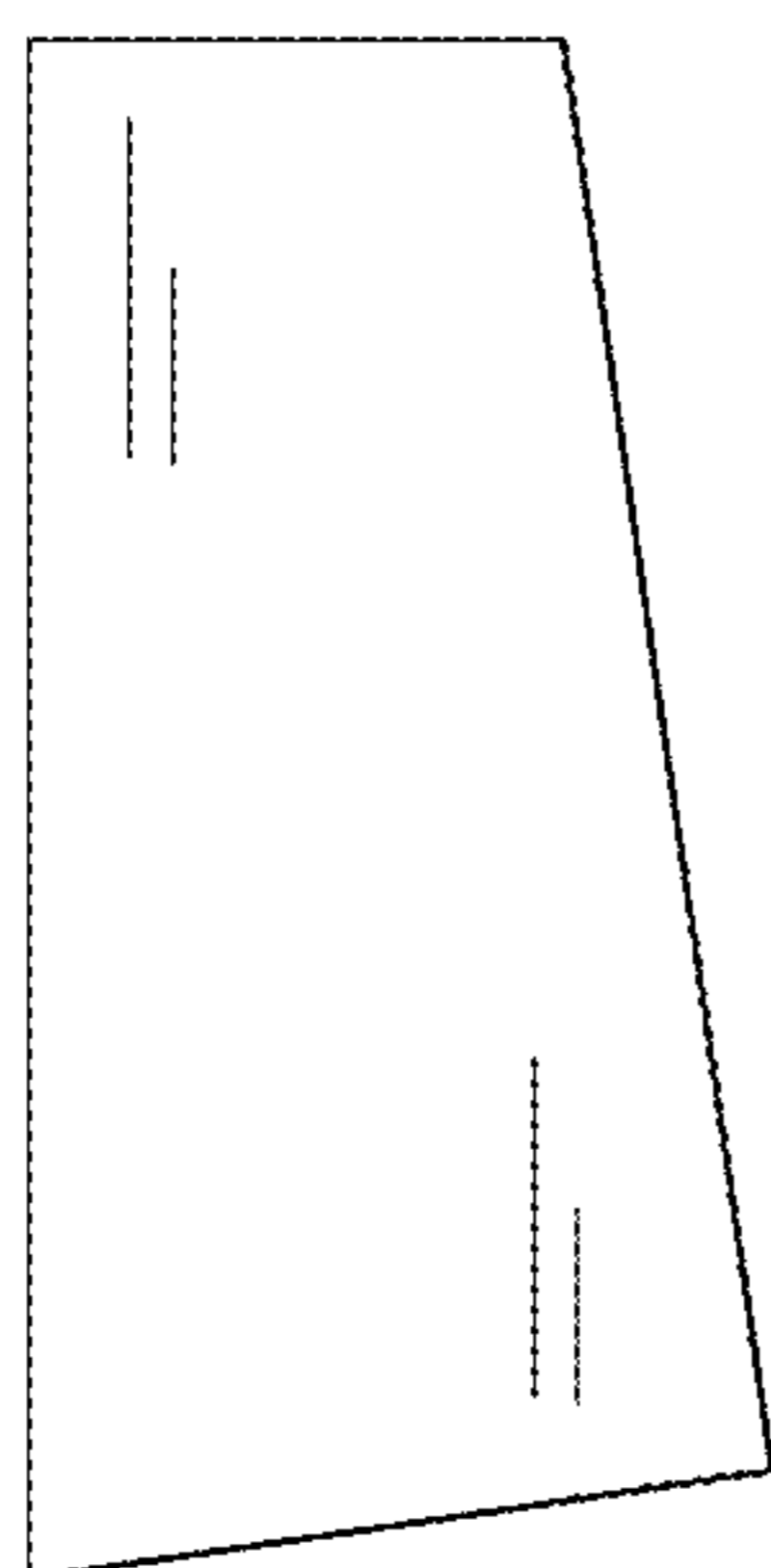


FIG. 9

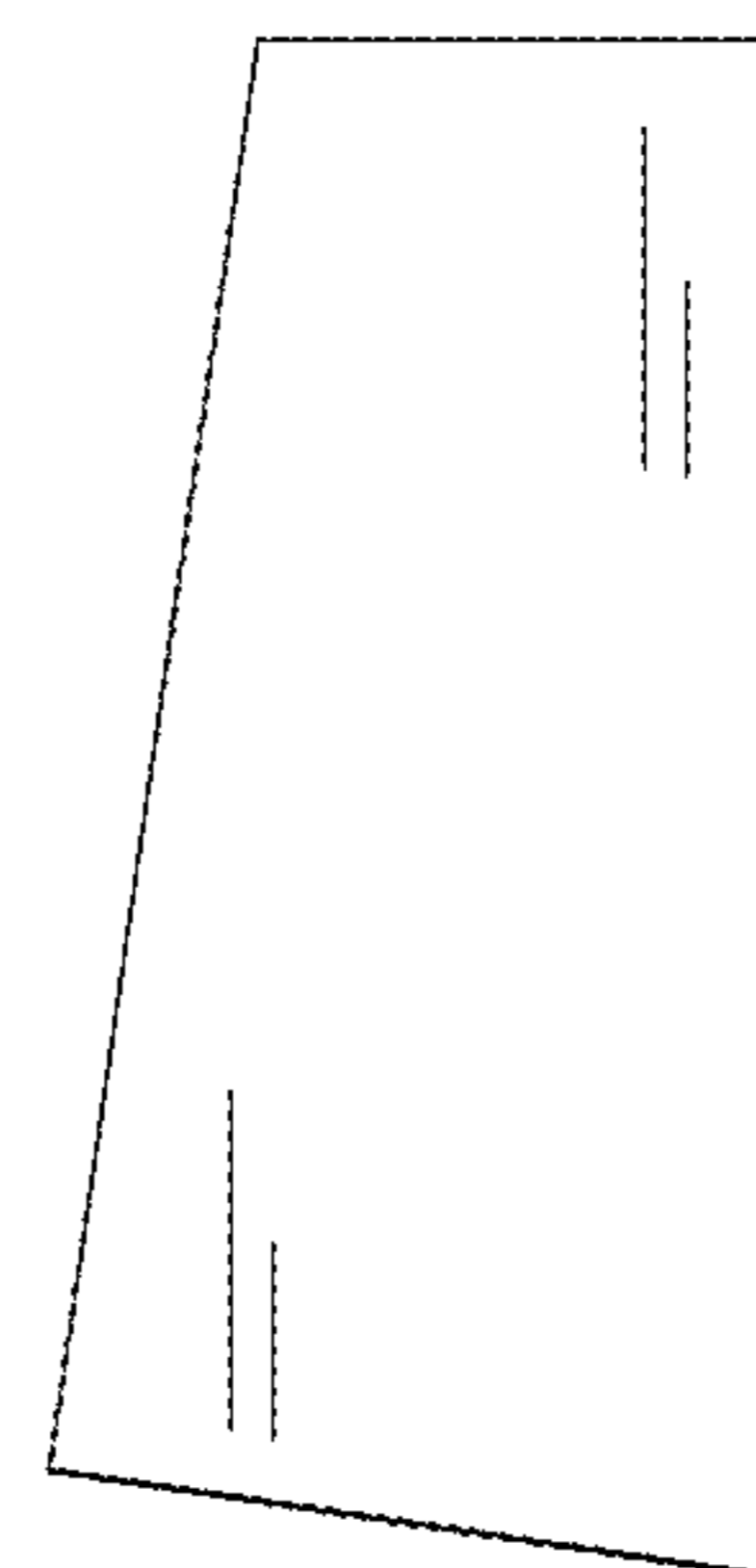


FIG. 10