



US00D780812S

(12) **United States Design Patent**
Niemczyk

(10) **Patent No.:** **US D780,812 S**

(45) **Date of Patent:** **** Mar. 7, 2017**

- (54) **COMPACT MOBILE DRILLING RIG**
- (71) Applicant: **Andrew Niemczyk**, Hazel Park, MI (US)
- (72) Inventor: **Andrew Niemczyk**, Hazel Park, MI (US)
- (**) Term: **15 Years**
- (21) Appl. No.: **29/542,537**
- (22) Filed: **Oct. 15, 2015**
- (51) **LOC (10) Cl.** **15-03**
- (52) **U.S. Cl.**
USPC **D15/21**
- (58) **Field of Classification Search**
USPC D15/21, 132; 172/52, 162; 173/25, 27, 173/28, 189, 9.5, 9.52; 73/152.4, 152.46; 180/9.1-9.44, 9.54, 9.62, 41, 6.48, 9.6
CPC E21B 7/023; E21B 7/024; E21B 7/022; E21B 7/02; B60G 17/005; B60G 2300/09; B60G 2300/32; B60G 2300/40; B62D 55/116; B62D 55/104
See application file for complete search history.

- 5,806,616 A * 9/1998 Enlund B60G 17/005 180/9.52
- 5,844,133 A * 12/1998 Goto E21B 44/00 175/24
- 5,941,324 A * 8/1999 Bennett E21B 19/14 166/77.51
- D413,907 S * 9/1999 Suzuki D15/132
- 6,298,927 B1 * 10/2001 Back E21B 19/14 166/77.51
- D453,023 S * 1/2002 Kaneko D15/21
- D477,332 S * 7/2003 Bennett D15/21
- D506,483 S * 6/2005 Saari D15/132
- D725,156 S * 3/2015 Saari D15/21
- D726,780 S * 4/2015 Saari D15/21

(Continued)

Primary Examiner — Mark Goodwin
(74) *Attorney, Agent, or Firm* — John R. Benefiel

(57) **CLAIM**

The ornamental design for a compact mobile drilling rig, as shown and described.

DESCRIPTION

FIG. 1 is a pictorial view of a compact mobile drilling rig according to the present invention.

FIG. 2 is a rear end view of the compact mobile drilling rig shown in FIG. 1.

FIG. 3 is a front end view of the compact mobile drilling rig shown in FIGS. 1 and 2.

FIG. 4 is a right side view of the compact mobile drilling rig shown in FIGS. 1 through 3.

FIG. 5 is a left side view of the compact mobile drilling rig shown in FIGS. 1 through 4; and,

FIG. 6 is a top view of the compact mobile drilling rig shown in FIGS. 1 through 5.

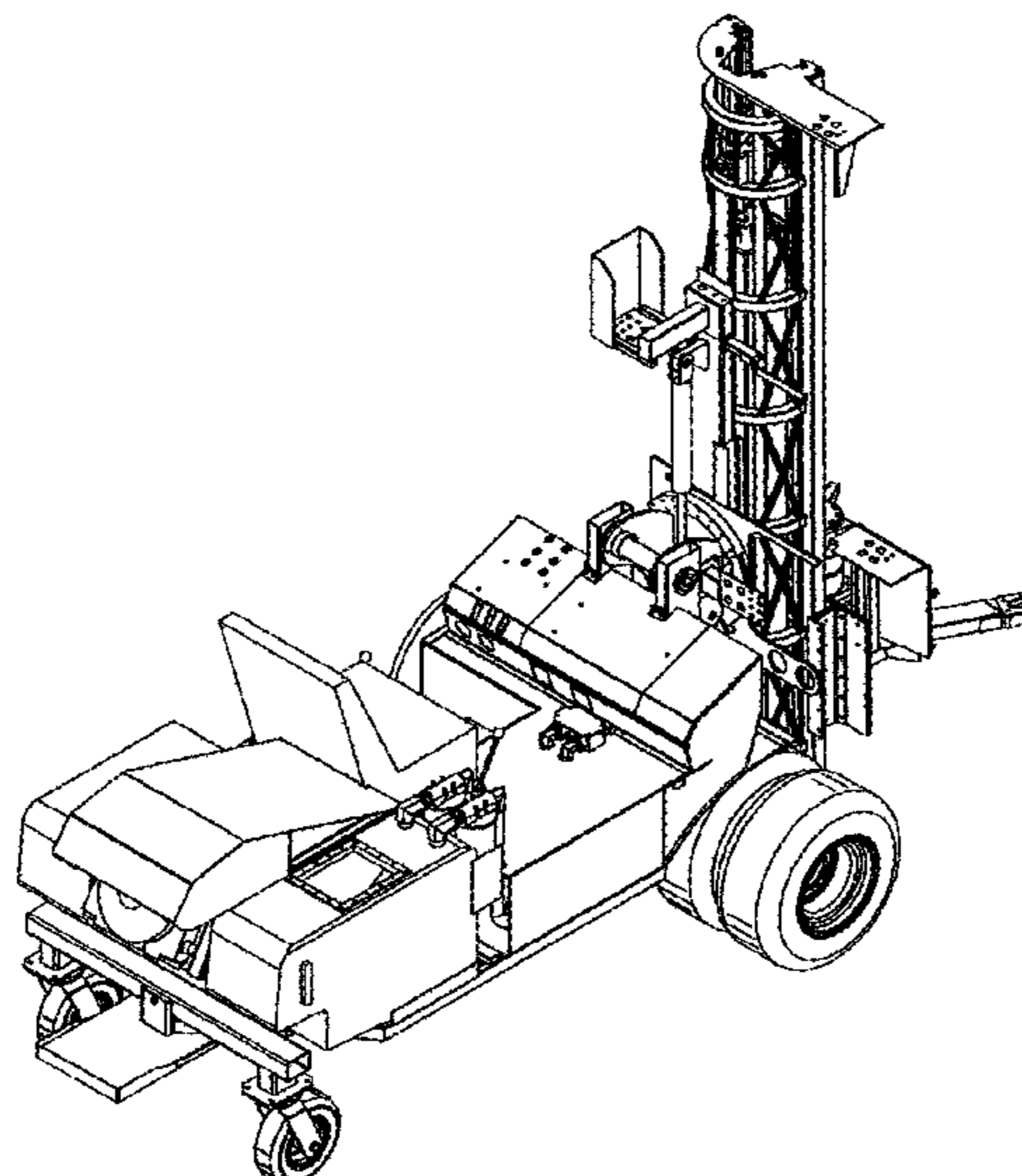
The bottom side of the compact mobile drilling rig is not ornamental in appearance and not normally seen and is therefore not shown.

1 Claim, 6 Drawing Sheets

(56) **References Cited**

U.S. PATENT DOCUMENTS

- D226,262 S * 2/1973 Trueblood D12/96
- 4,181,182 A * 1/1980 Gustafsson E21B 7/025 173/189
- D267,719 S * 1/1983 Case D15/21
- 4,371,041 A * 2/1983 Becker E21B 3/02 173/147
- 4,449,592 A * 5/1984 Mayer E21B 19/20 173/164
- D282,368 S * 1/1986 Smith D15/21
- 4,703,812 A * 11/1987 Johnson E21B 7/02 173/152
- 5,222,564 A * 6/1993 Bonca E21B 7/027 173/189



(56)

References Cited

U.S. PATENT DOCUMENTS

D733,192 S *	6/2015	Saari	D15/21
2008/0142235 A1 *	6/2008	Jacobsson	B60K 11/04 173/27

* cited by examiner

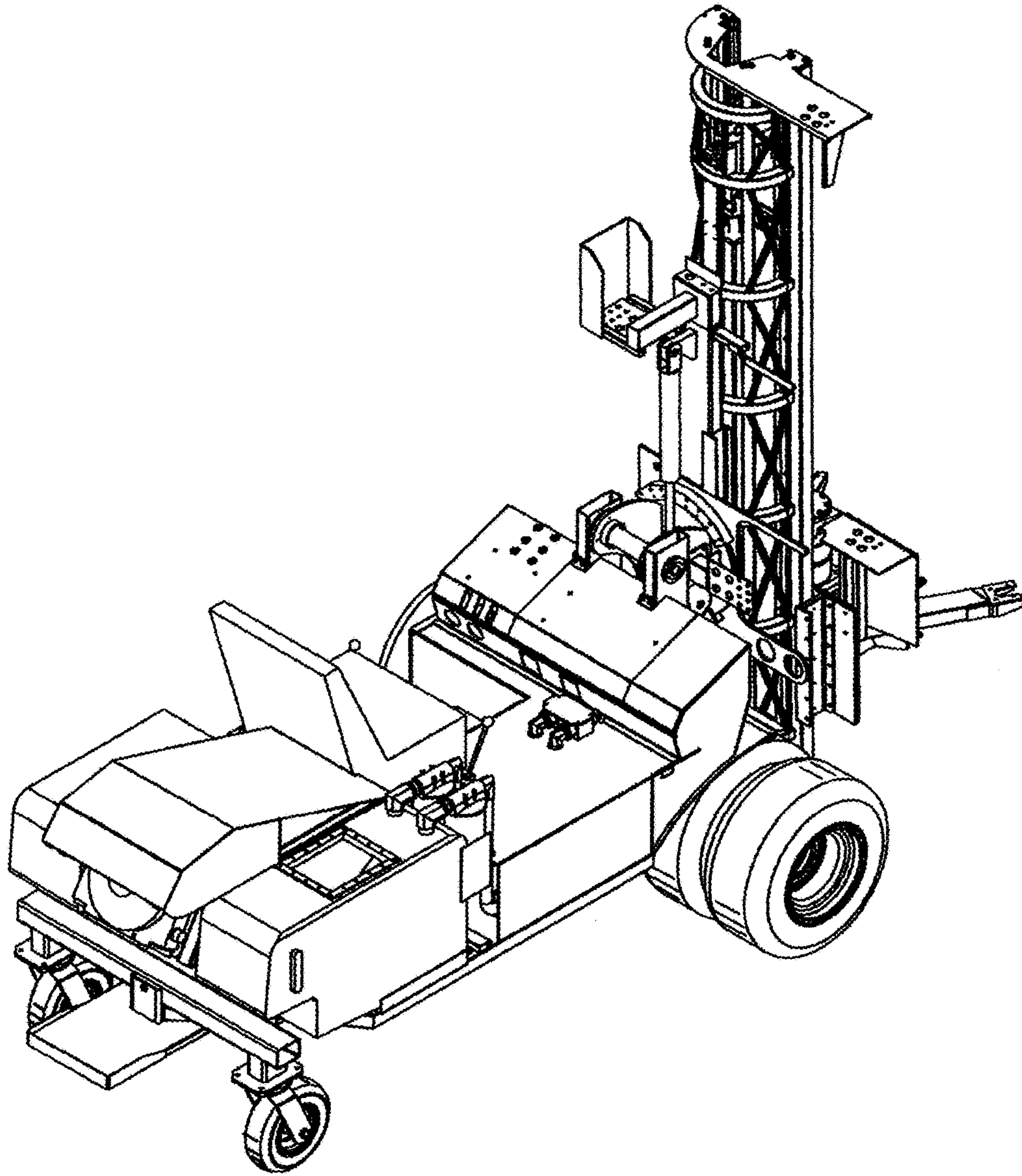


FIG. 1

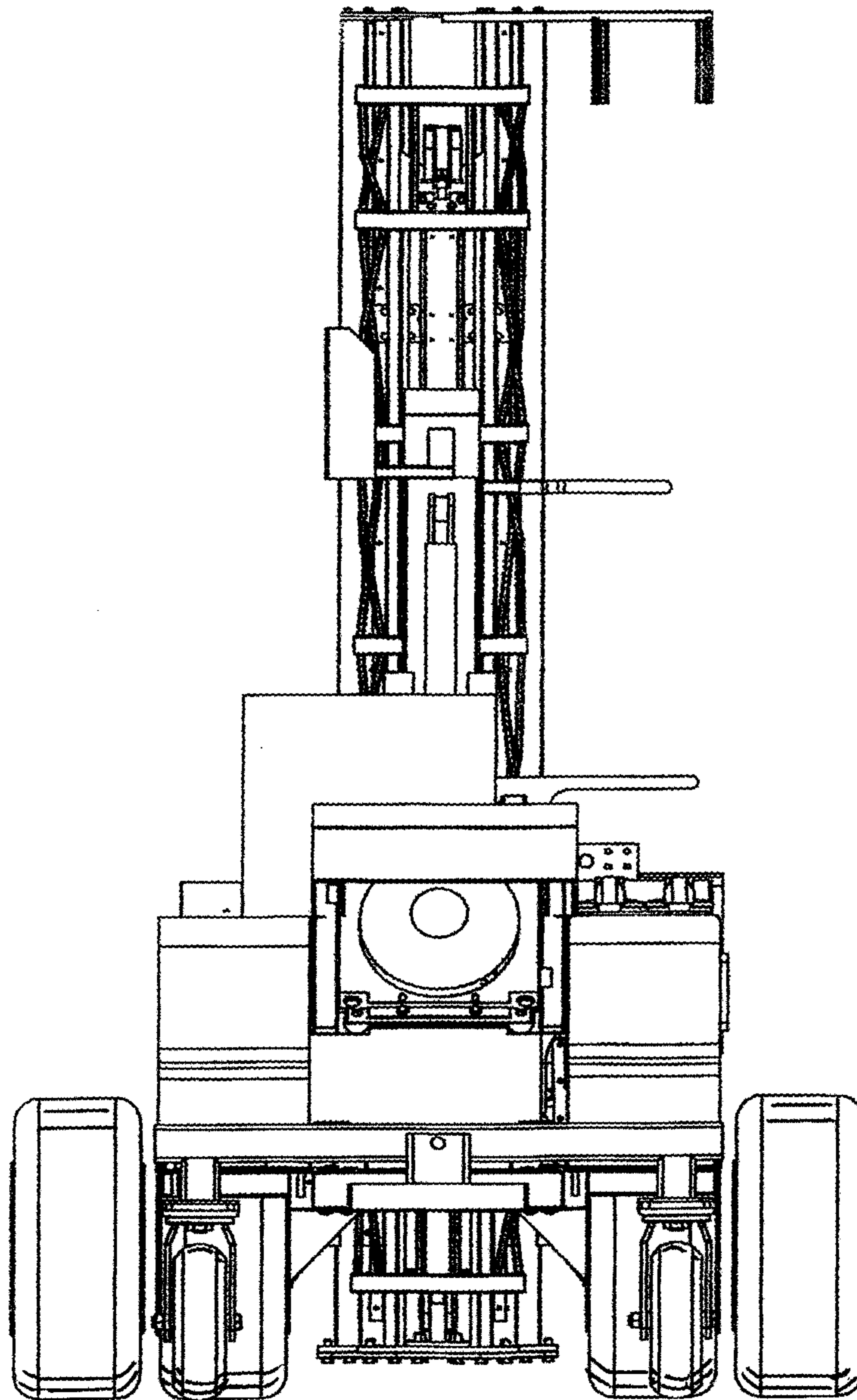


FIG. 2

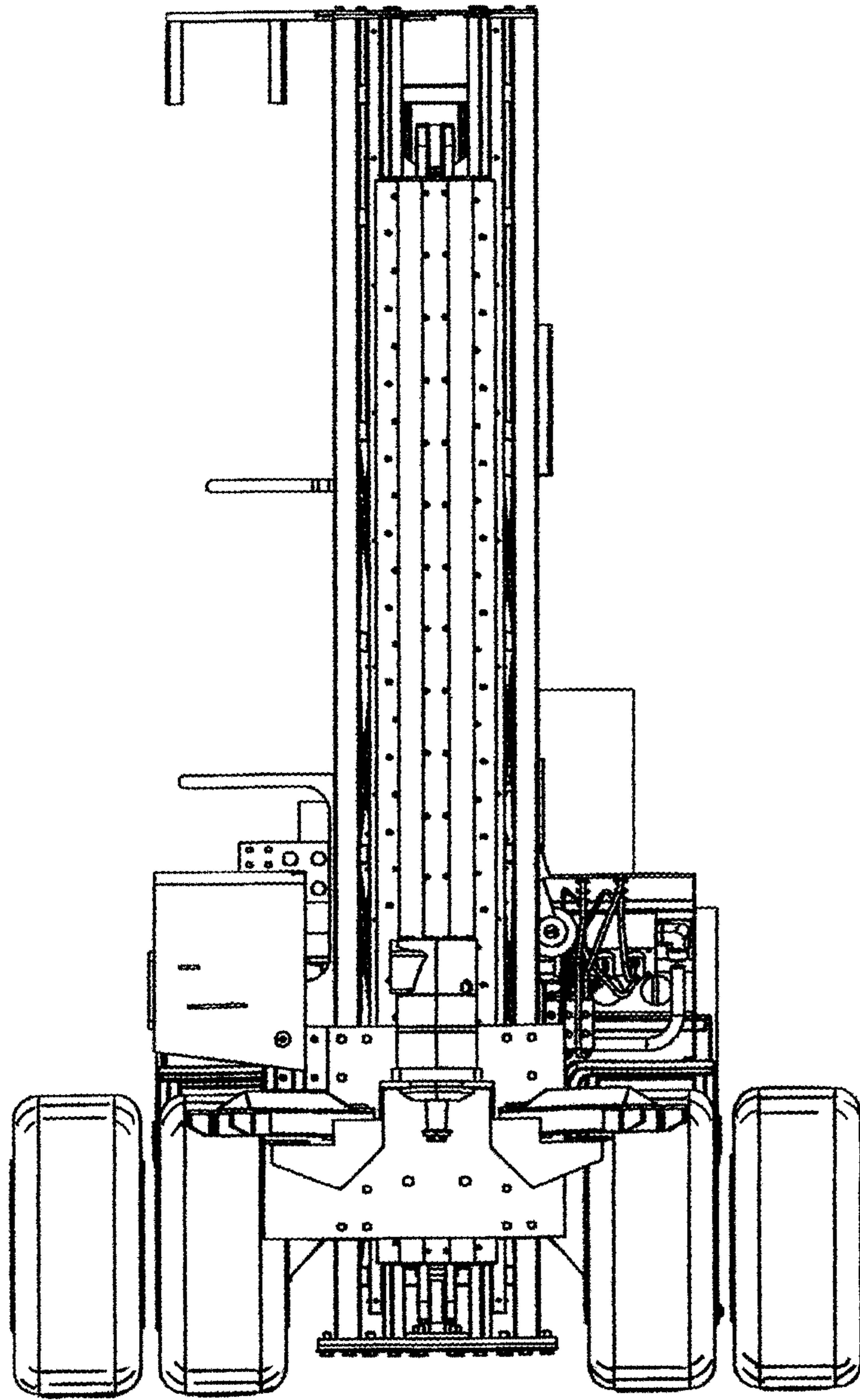
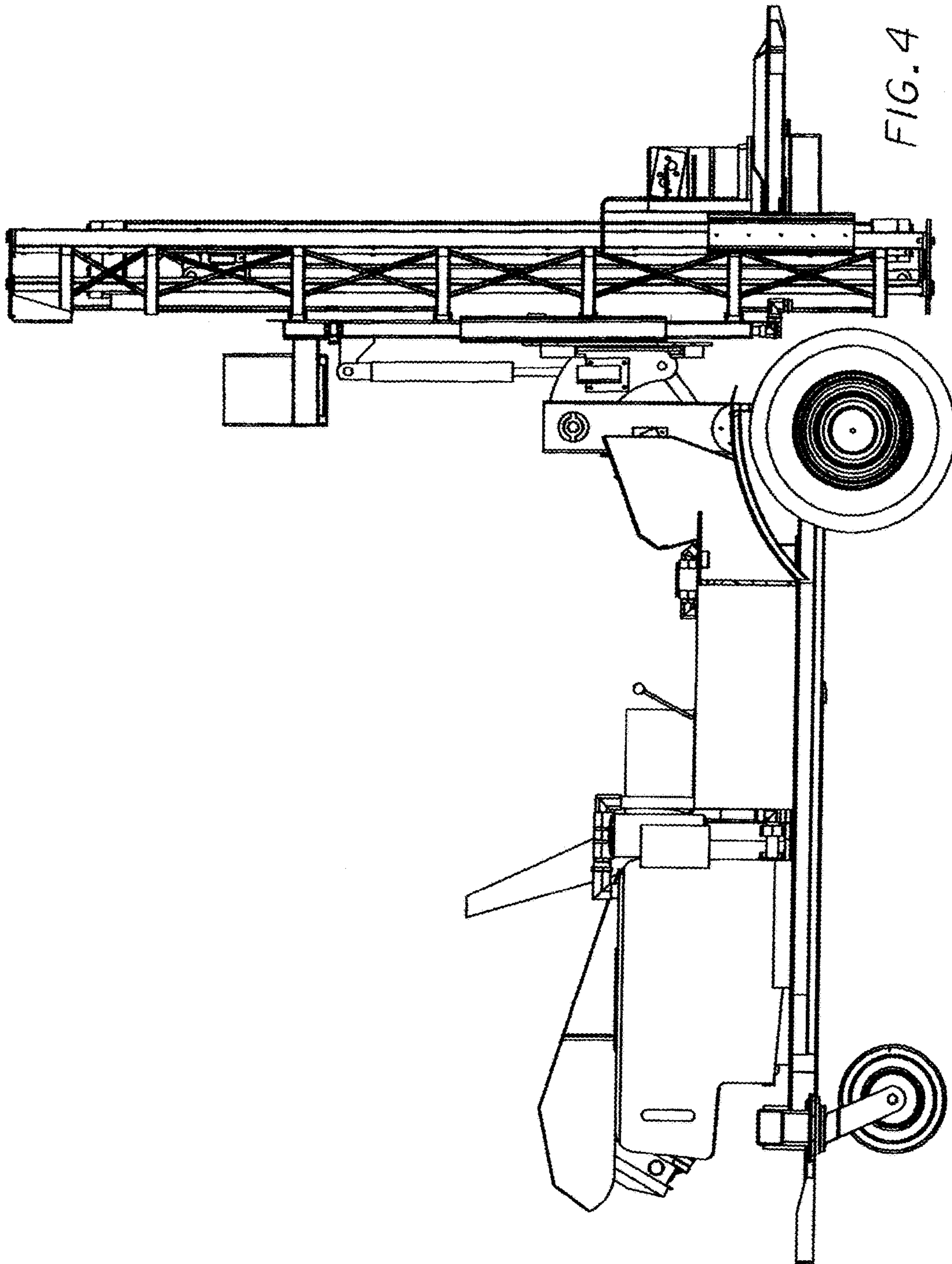
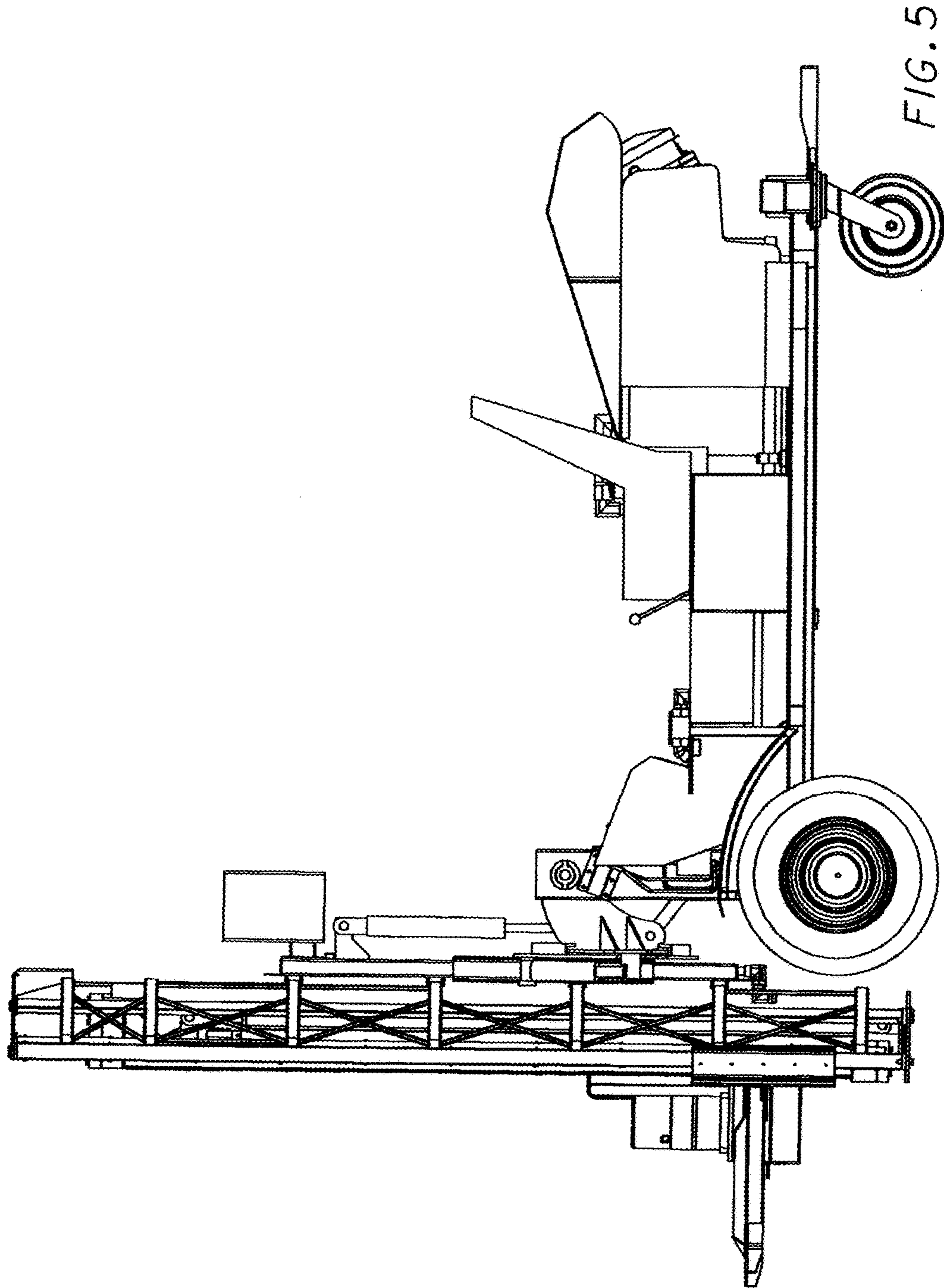


FIG. 3





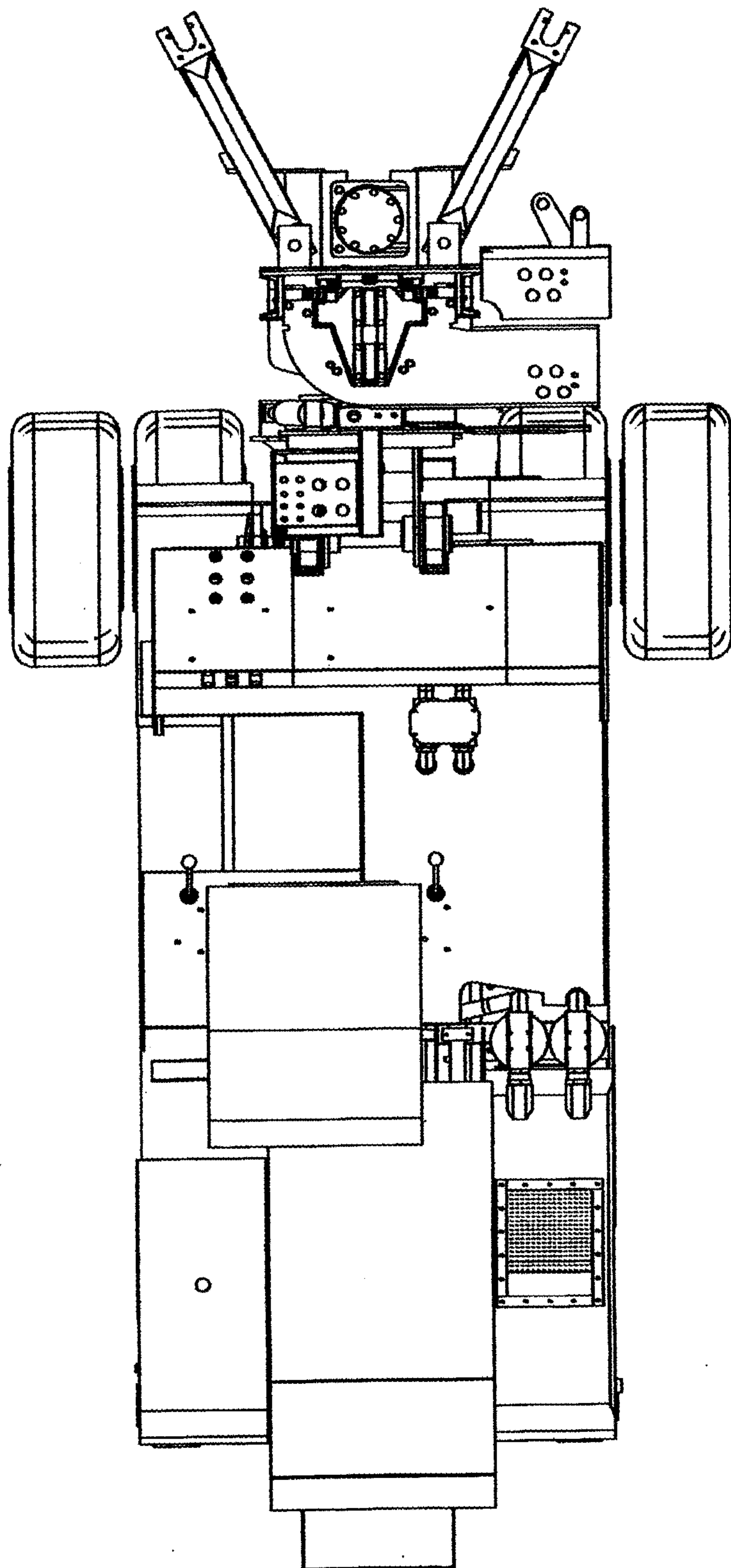


FIG. 6