



US00D780811S

(12) **United States Design Patent**
Lin et al.

(10) **Patent No.:** **US D780,811 S**
(45) **Date of Patent:** **** Mar. 7, 2017**

- (54) **LAWN MOWER**
- (71) Applicant: **MACAUTO INDUSTRIAL CO., LTD.**, Tainan (TW)
- (72) Inventors: **Paul Lin**, Tainan (TW); **Chieh-Hung Li**, Tainan (TW)
- (73) Assignee: **MACAUTO INDUSTRIAL CO., LTD.**, Tainan (TW)
- (**) Term: **15 Years**
- (21) Appl. No.: **29/554,887**
- (22) Filed: **Feb. 16, 2016**
- (51) **LOC (10) Cl.** **15-03**
- (52) **U.S. Cl.**
USPC **D15/14; D15/17**
- (58) **Field of Classification Search**
USPC ... D15/14, 17, 18; 56/11.9, 17.5, 13.4, 12.8, 56/16.7, 202, 255, 294, 295, 320.1, 320.2; 180/900, 89.1, 89.12
CPC A01D 34/008; A01D 34/81; A01D 34/416; A01D 34/4166; A01D 34/4167; A01D 34/87; A01D 34/90; B60L 1/003; B60L 3/0061; B60L 11/1803; B60L 11/1805; B60L 11/1877; B60L 15/20; B60L 2260/28; B60L 2200/40; B60L 2220/16; B60L 2220/46; B60L 2240/36; B60L 2240/421; A01G 3/04; A01G 3/0435
See application file for complete search history.

D420,365 S *	2/2000	Gunnar	D15/14
D451,931 S *	12/2001	Abramson	D15/14
D504,901 S *	5/2005	Wickstrom	D15/14
D559,867 S *	1/2008	Abramson	D15/14
D652,431 S *	1/2012	Naslund	D15/14
D656,163 S *	3/2012	Johansson	D15/14
D678,352 S *	3/2013	Maeda	D15/14
D679,294 S *	4/2013	Tajik	D15/14
D679,295 S *	4/2013	Tajik	D15/14
D681,065 S *	4/2013	Maeda	D15/14
D688,276 S *	8/2013	Naslund	D15/14
D718,339 S *	11/2014	Damshak	D15/14
D729,280 S *	5/2015	Naslund	D15/14

* cited by examiner

Primary Examiner — Mark Goodwin

(74) *Attorney, Agent, or Firm* — WPAT, P.C., Intellectual Property Attorneys; Anthony King

(57) **CLAIM**

The ornamental design for a lawn mower, as shown and described.

DESCRIPTION

FIG. 1 is a perspective view of a lawn mower showing our new design;
 FIG. 2 is a front view thereof;
 FIG. 3 is a rear view thereof;
 FIG. 4 is a left side view thereof;
 FIG. 5 is a right side view thereof;
 FIG. 6 is a top view thereof;
 FIG. 7 is a bottom view thereof;
 FIG. 8 is another perspective view thereof; and,
 FIG. 9 is a perspective view thereof with a handle.
 The portions of the Figures shown in broken lines depict environmental subject matter, are for illustration only and form no part of the claimed design.

(56) **References Cited**

U.S. PATENT DOCUMENTS

D245,502 S *	8/1977	Oscarsson	D15/17
D250,337 S *	11/1978	Williams	D15/17

1 Claim, 8 Drawing Sheets

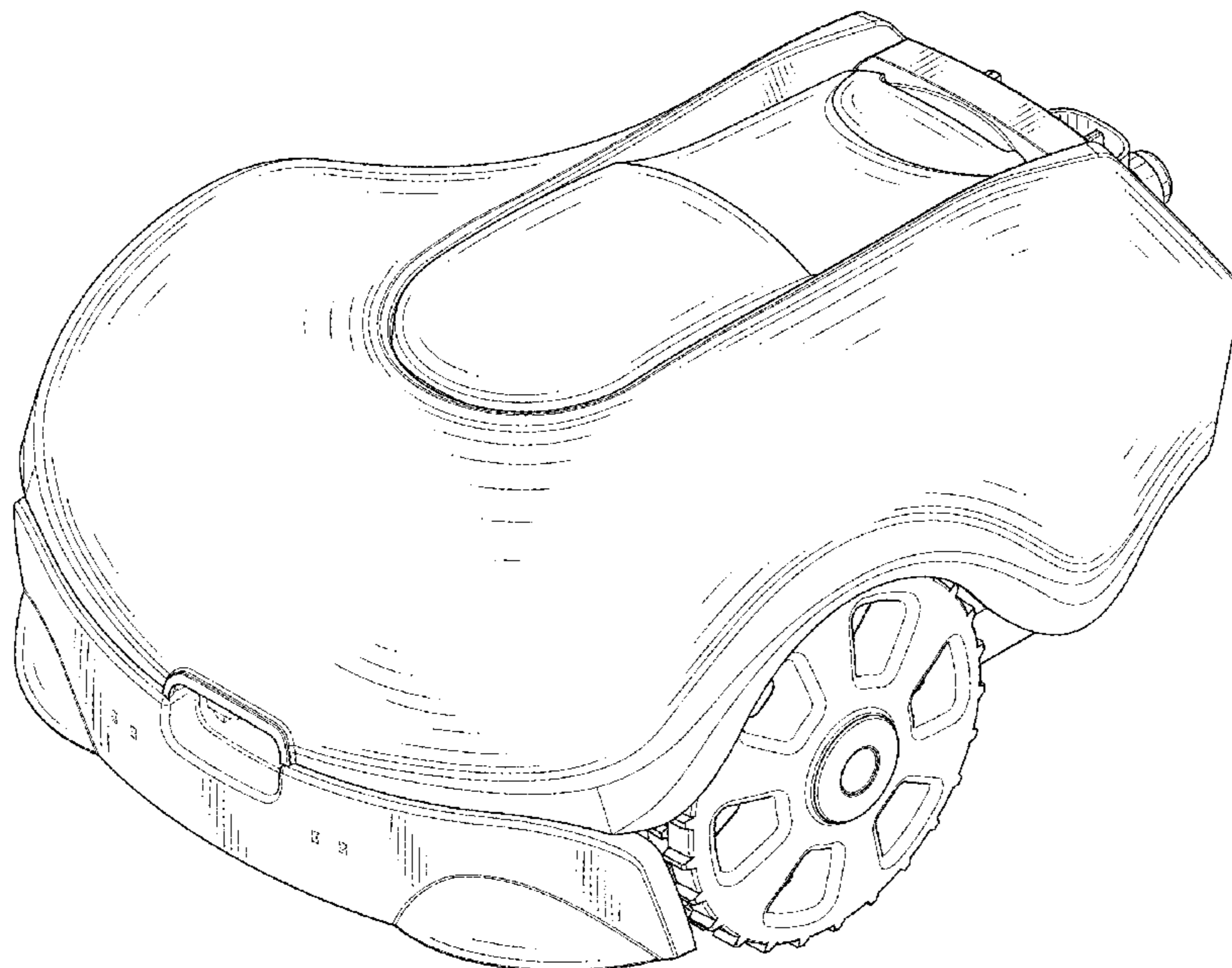




FIG. 1

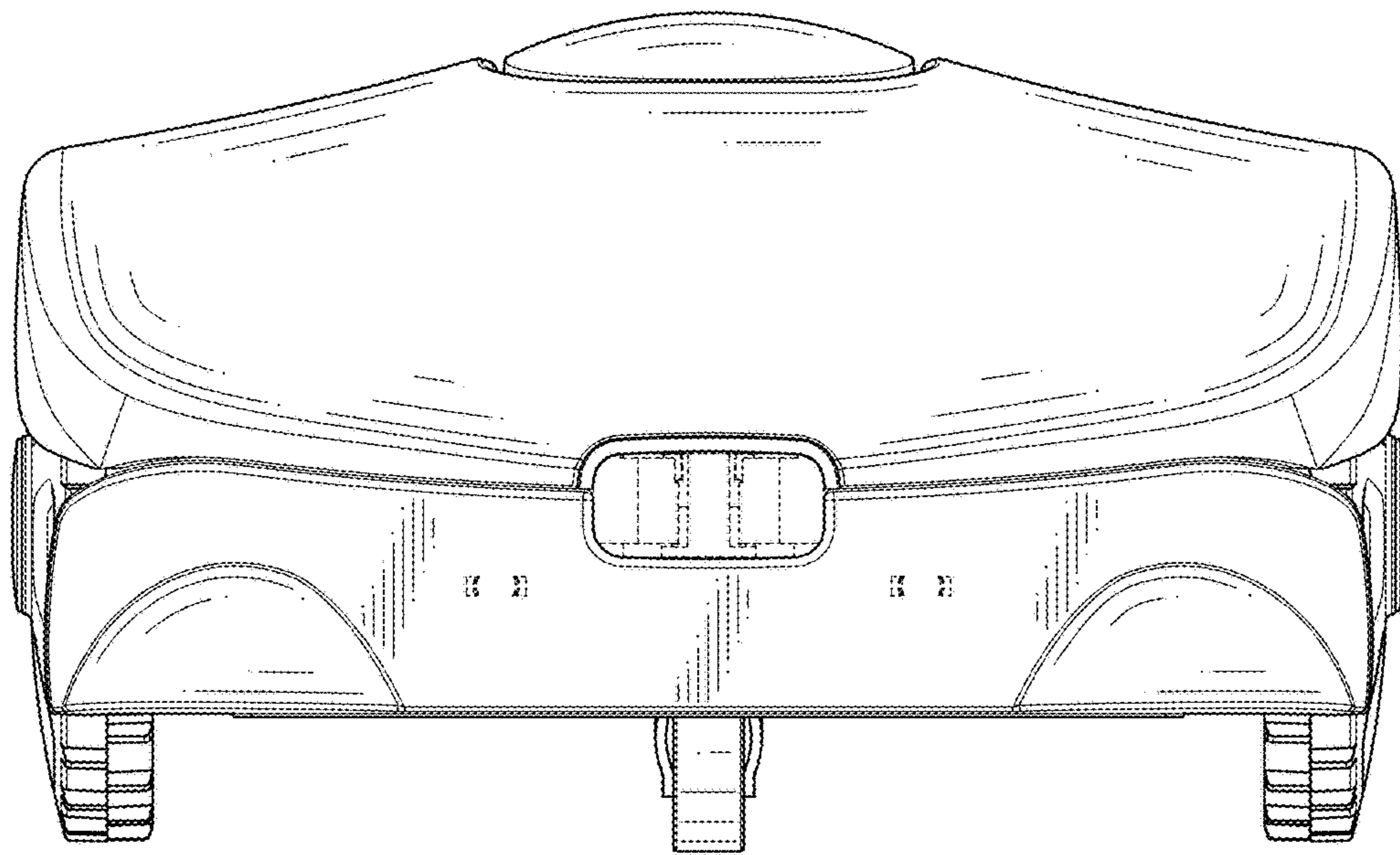


FIG. 2

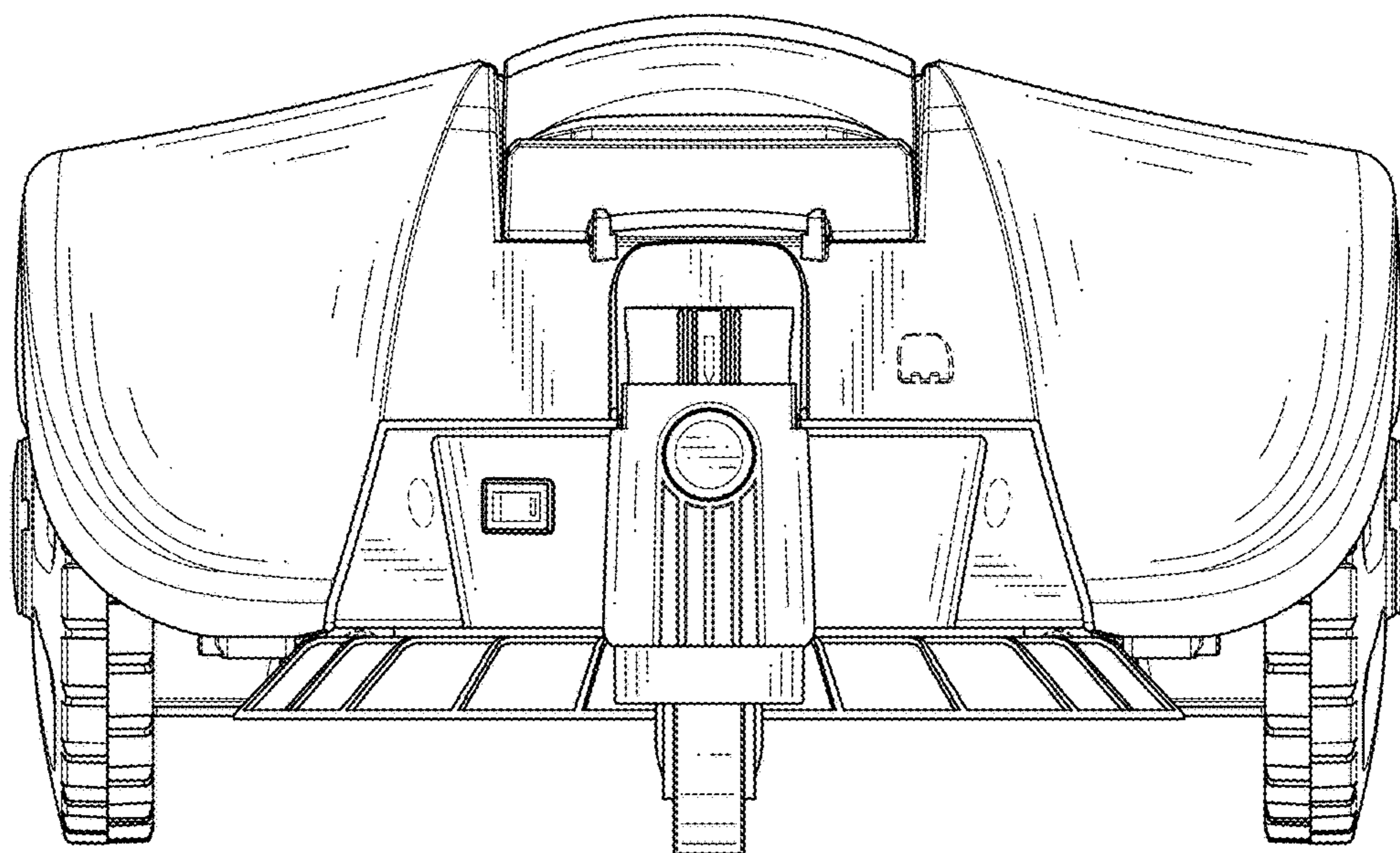


FIG. 3

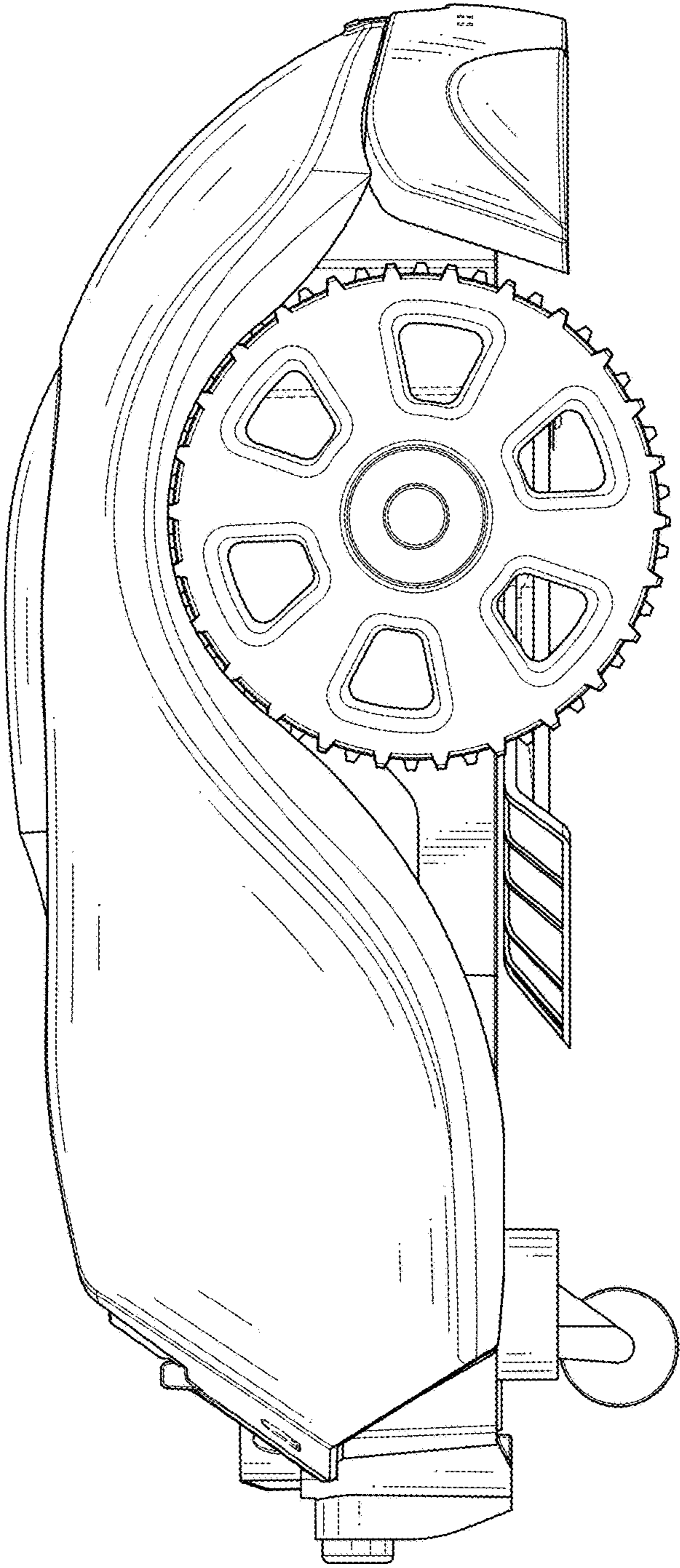


FIG. 4

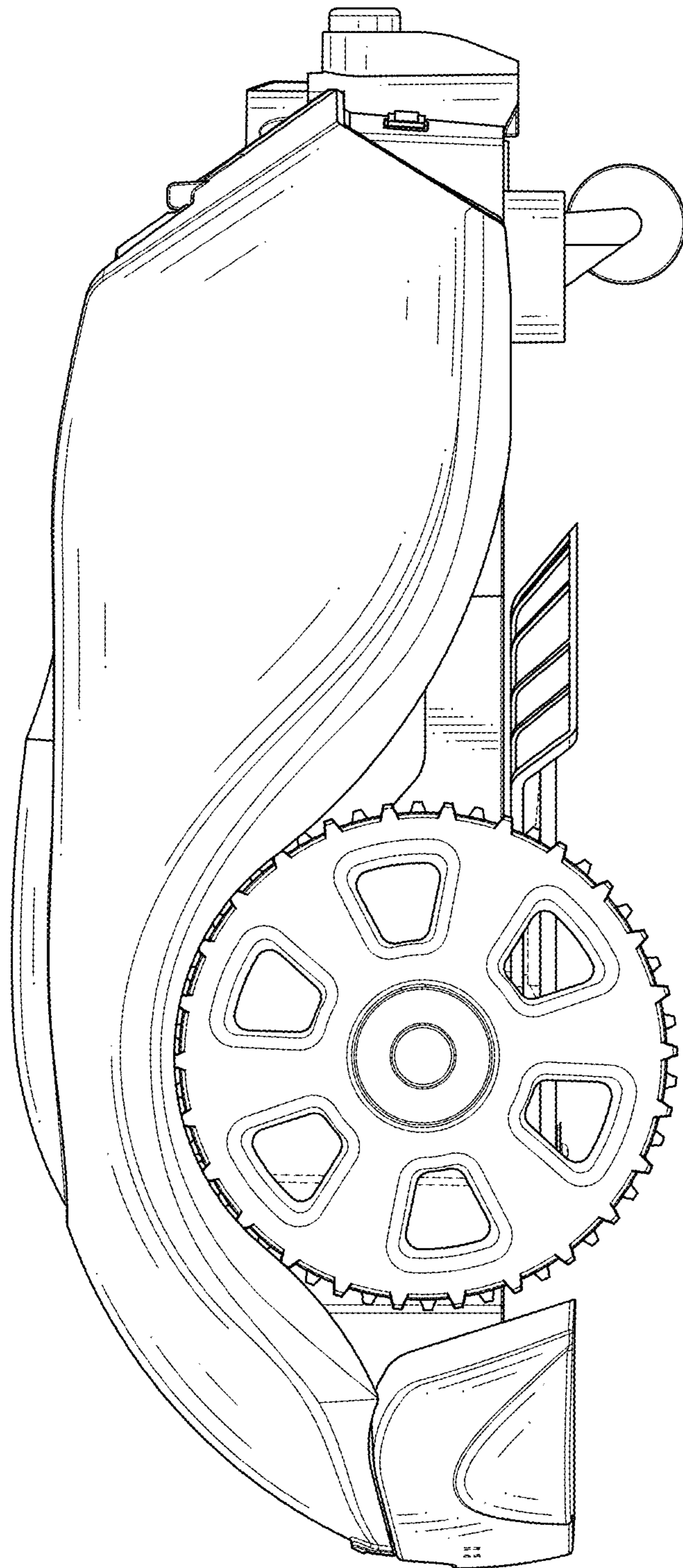


FIG. 5

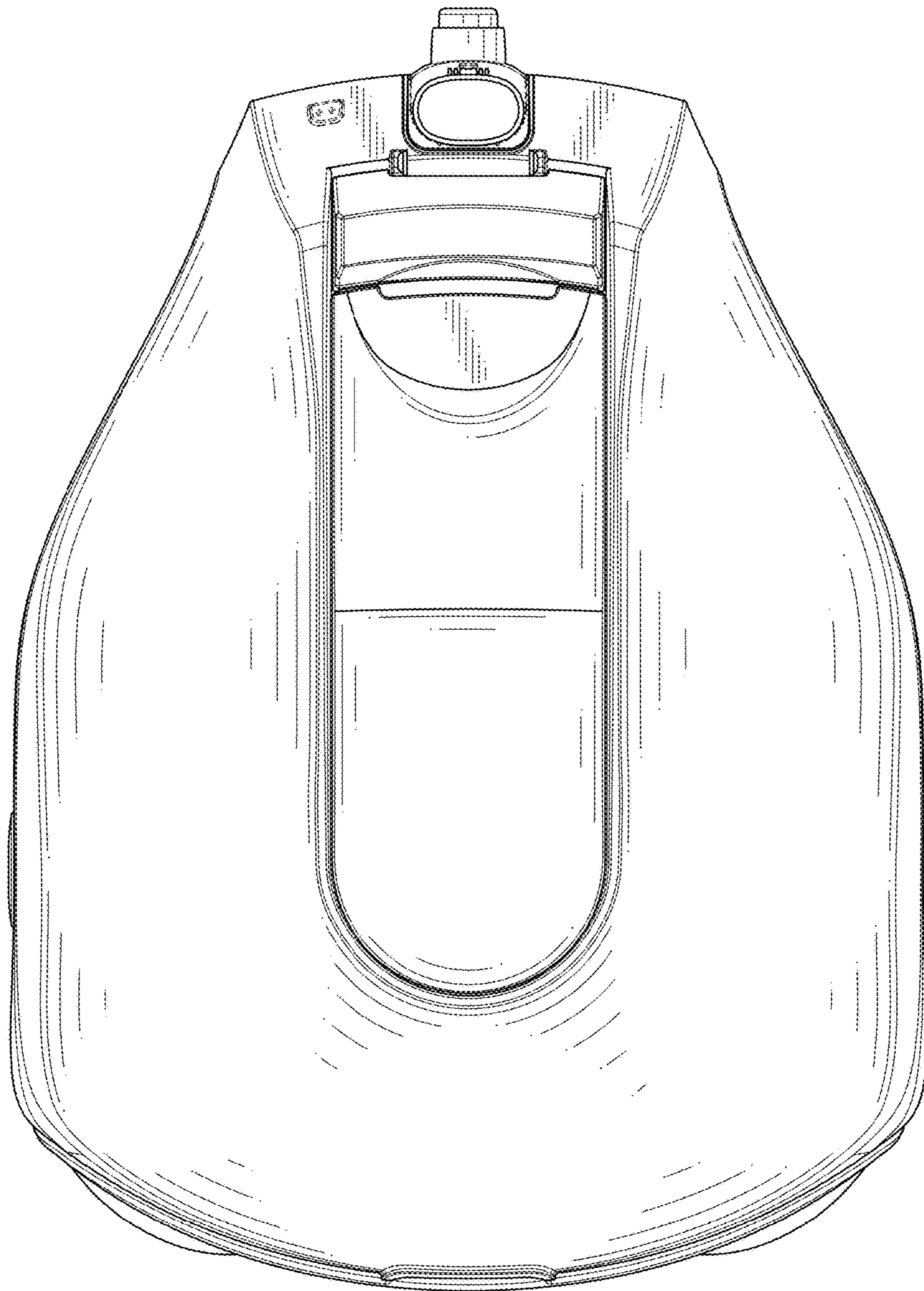


FIG. 6

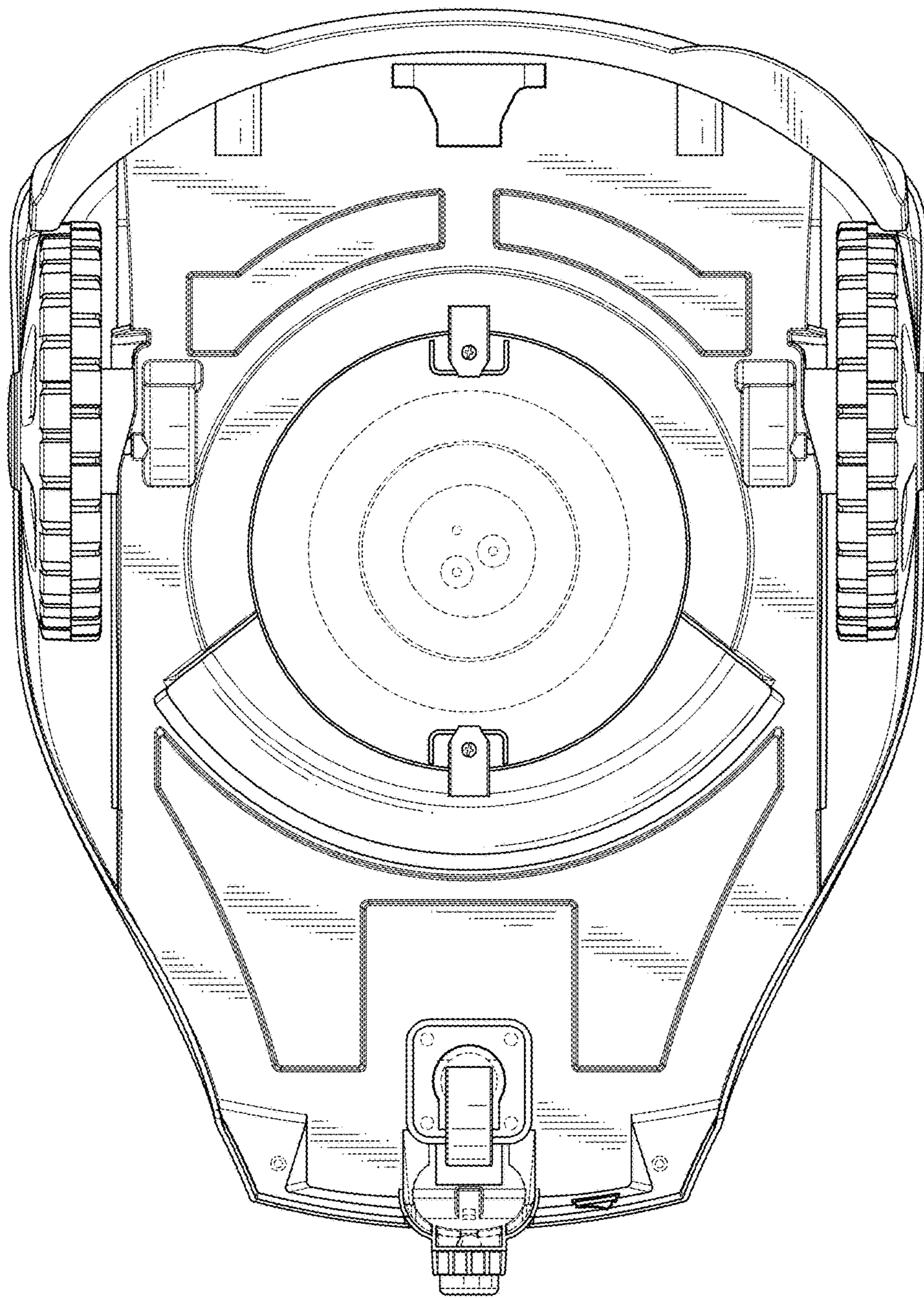


FIG. 7

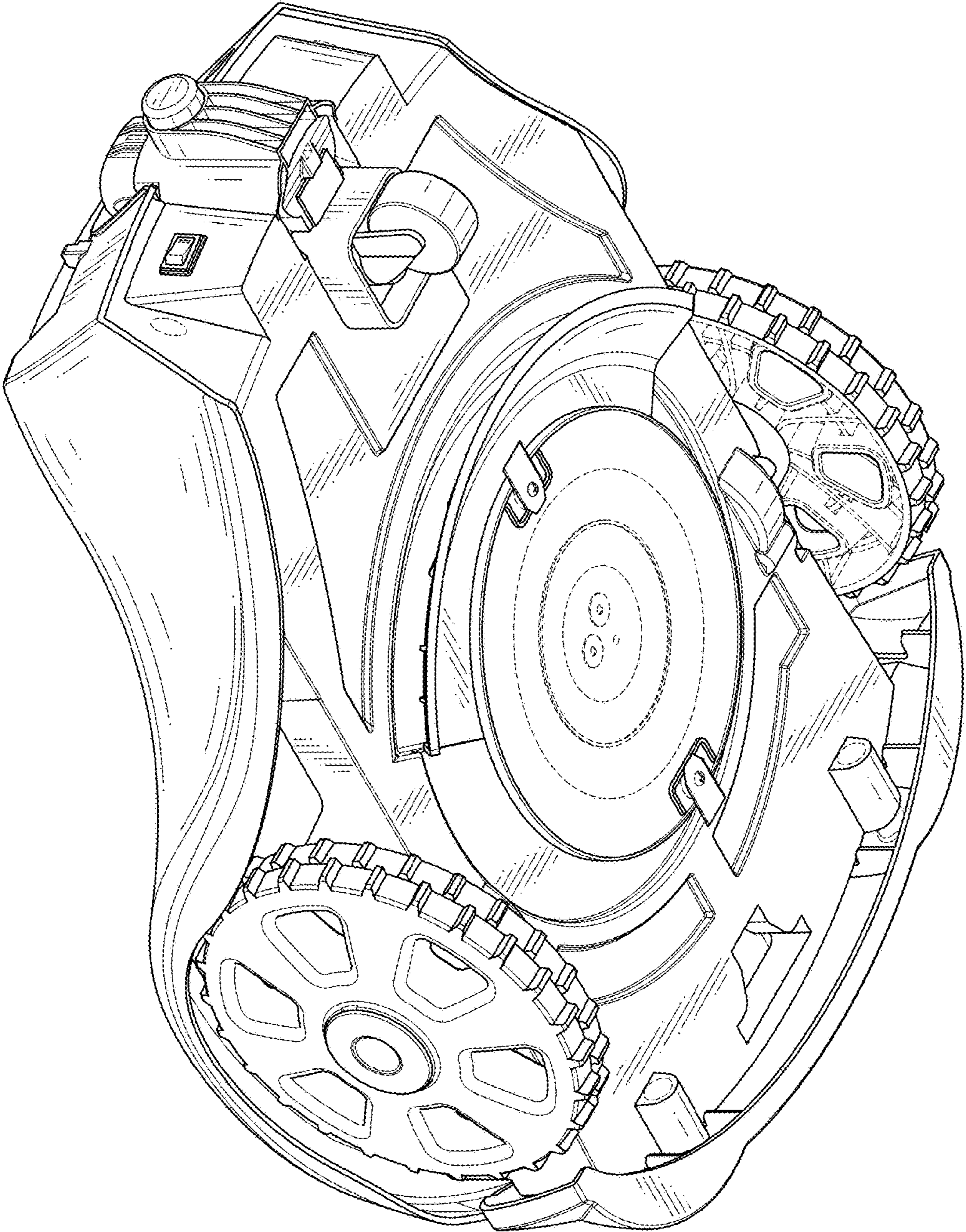


FIG. 8

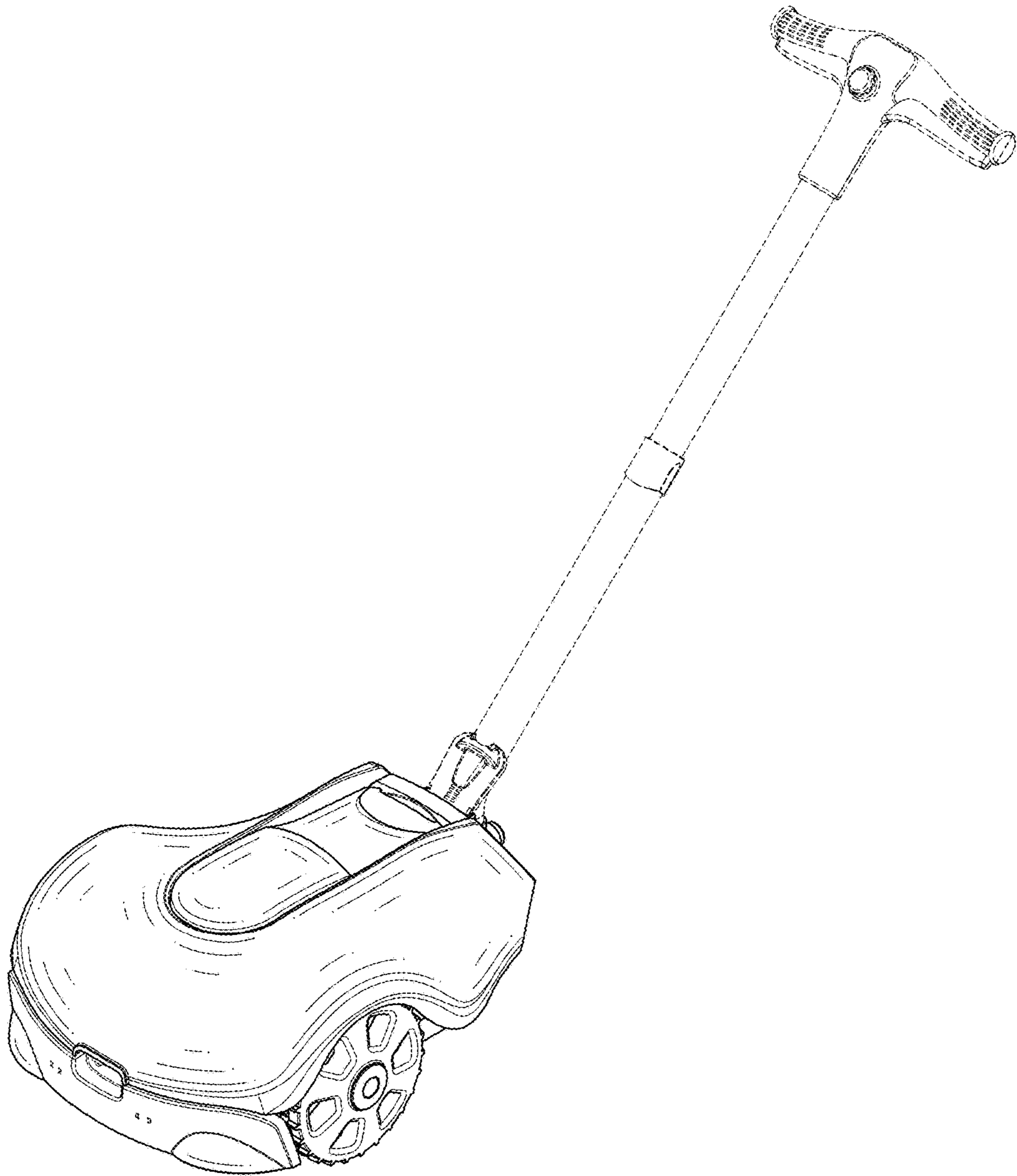


FIG. 9