



US00D780810S

(12) **United States Design Patent**
Okado

(10) **Patent No.:** **US D780,810 S**

(45) **Date of Patent:** **** Mar. 7, 2017**

(54) **SNOWPLOW**

(71) Applicant: **HONDA MOTOR CO., LTD.**, Tokyo
(JP)

(72) Inventor: **Michihito Okado**, Wako (JP)

(73) Assignee: **HONDA MOTOR CO., LTD.**, Tokyo
(JP)

(**) Term: **15 Years**

(21) Appl. No.: **29/545,489**

(22) Filed: **Nov. 13, 2015**

(30) **Foreign Application Priority Data**

May 15, 2015 (JP) 2015-010658

(51) **LOC (10) Cl.** **15-03**

(52) **U.S. Cl.**
USPC **D15/11**

(58) **Field of Classification Search**

USPC D15/11, 12, 28, 33, 199

CPC E01H 5/06; E01H 5/061; E01H 5/062; E01H
5/063; E01H 5/065; E01H 5/066; E01H
4/00; E01H 5/00; E01H 5/04; E01H
10/007; E01H 5/045; E01H 5/076; E01H
5/098; E01H 5/067; E01H 5/073; E01H
5/08; E01H 5/09; E01H 5/092; E01H
5/096; E01H 5/104; E01B 2203/02; E01B
27/02; E01B 27/025; E01B 27/026

See application file for complete search history.

(56) **References Cited**

U.S. PATENT DOCUMENTS

D649,166 S *	11/2011	Thackery	D15/17
D651,218 S *	12/2011	Stokes	D15/17
D693,851 S *	11/2013	Fujiwara	D15/11
D700,629 S *	3/2014	Fujiki	D15/11
D705,272 S *	5/2014	Cmich	D15/11
D759,124 S *	6/2016	Nakaura	D15/11

* cited by examiner

Primary Examiner — Ian Simmons

Assistant Examiner — Khawaja Anwar

(74) *Attorney, Agent, or Firm* — Westerman, Hattori,
Daniels & Adrian, LLP

(57) **CLAIM**

The ornamental design for, a snowplow, as shown and described.

DESCRIPTION

FIG. 1 is a front and right side view of a snowplow, showing our new design;

FIG. 2 is a rear and right side perspective view thereof;

FIG. 3 is a front elevation view thereof;

FIG. 4 is a rear elevation view thereof;

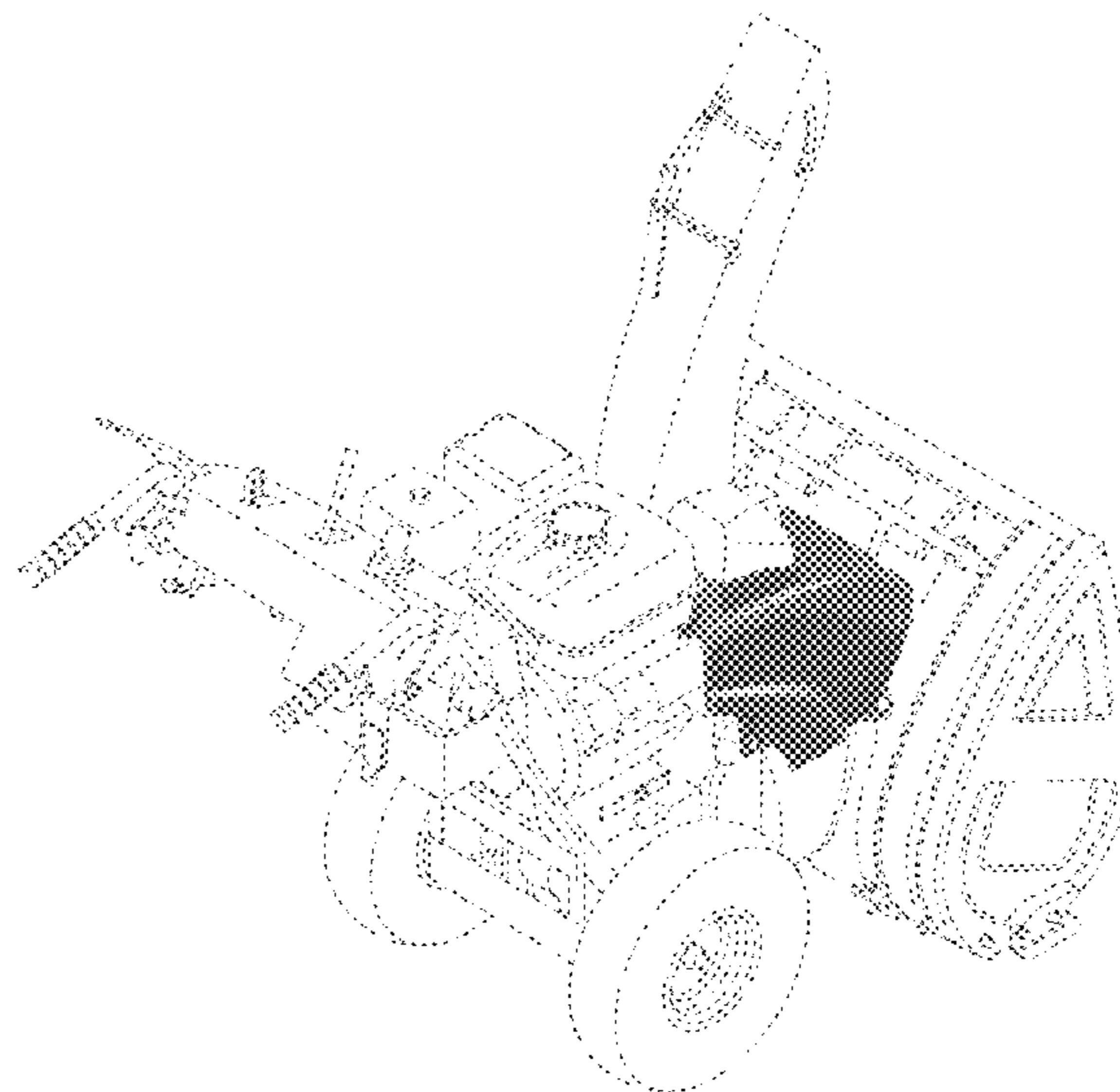
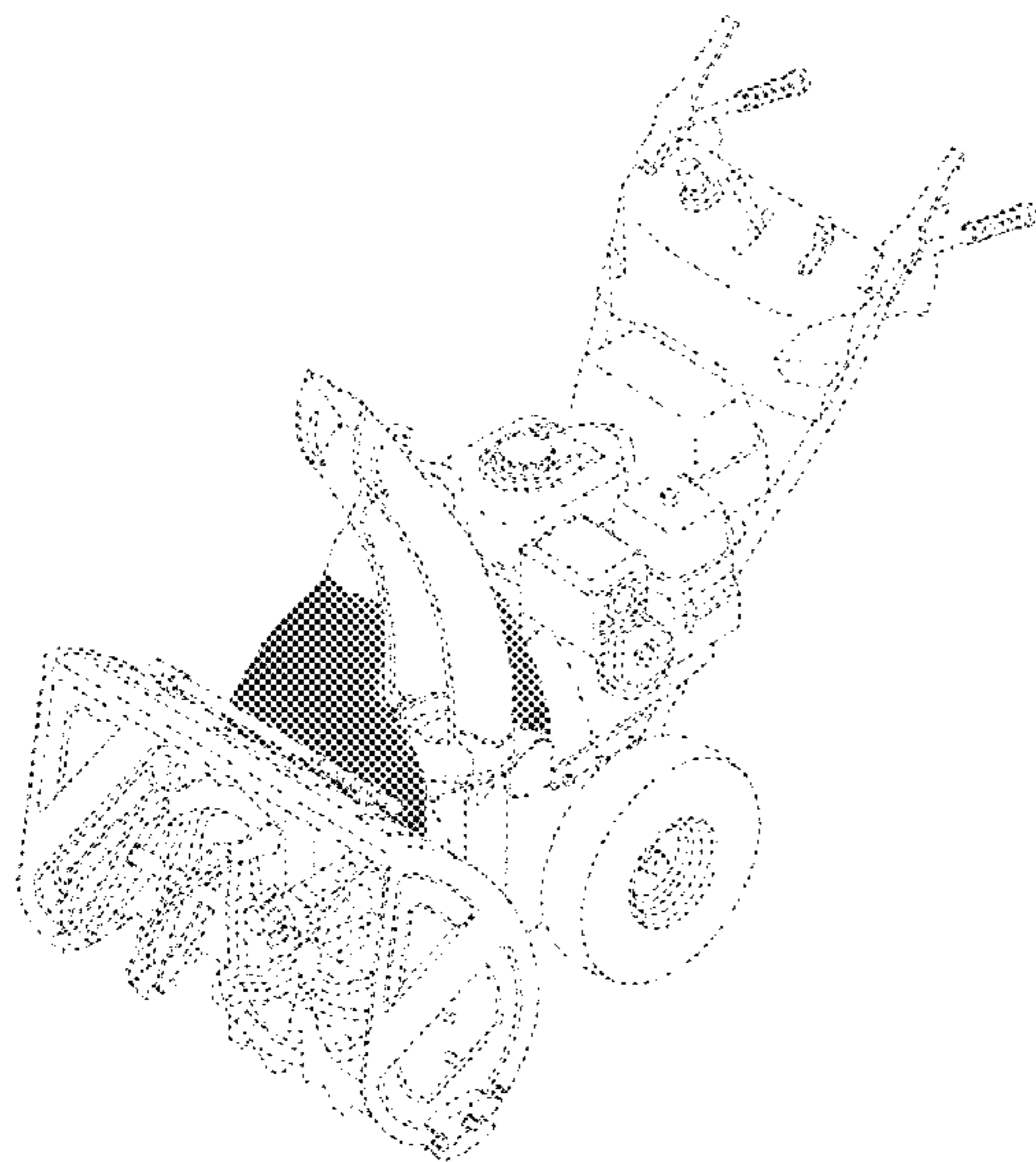
FIG. 5 is a top plan view thereof;

FIG. 6 is a right side elevation view thereof; and,

FIG. 7 is a left side elevation view thereof.

In FIGS. 1-7, the broken lines are for the purpose of illustrating environmental structure for a snowplow that form no part of claimed design. In FIGS. 1-7, the gray shading does not indicate surface decoration.

1 Claim, 7 Drawing Sheets



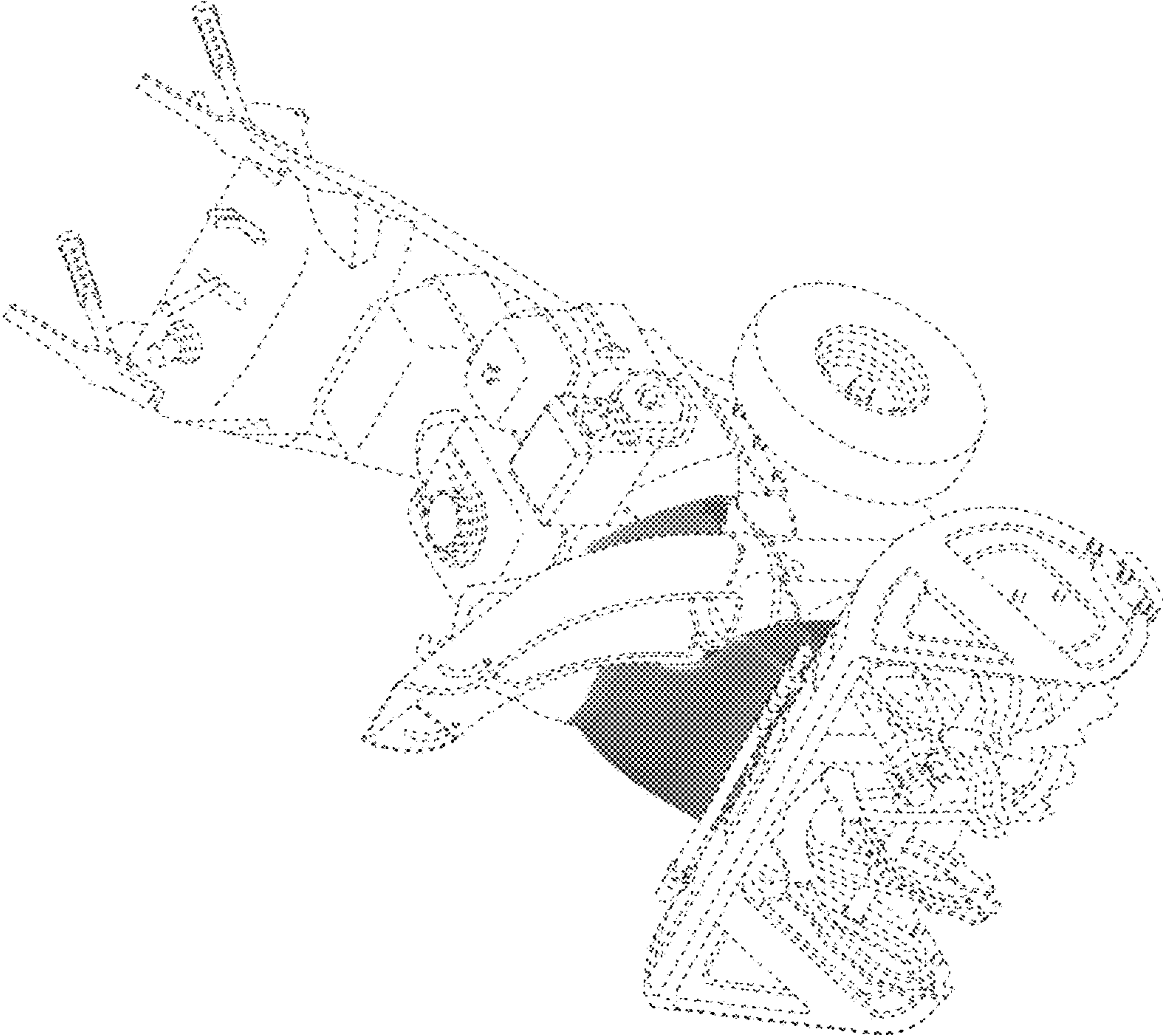


Fig.1

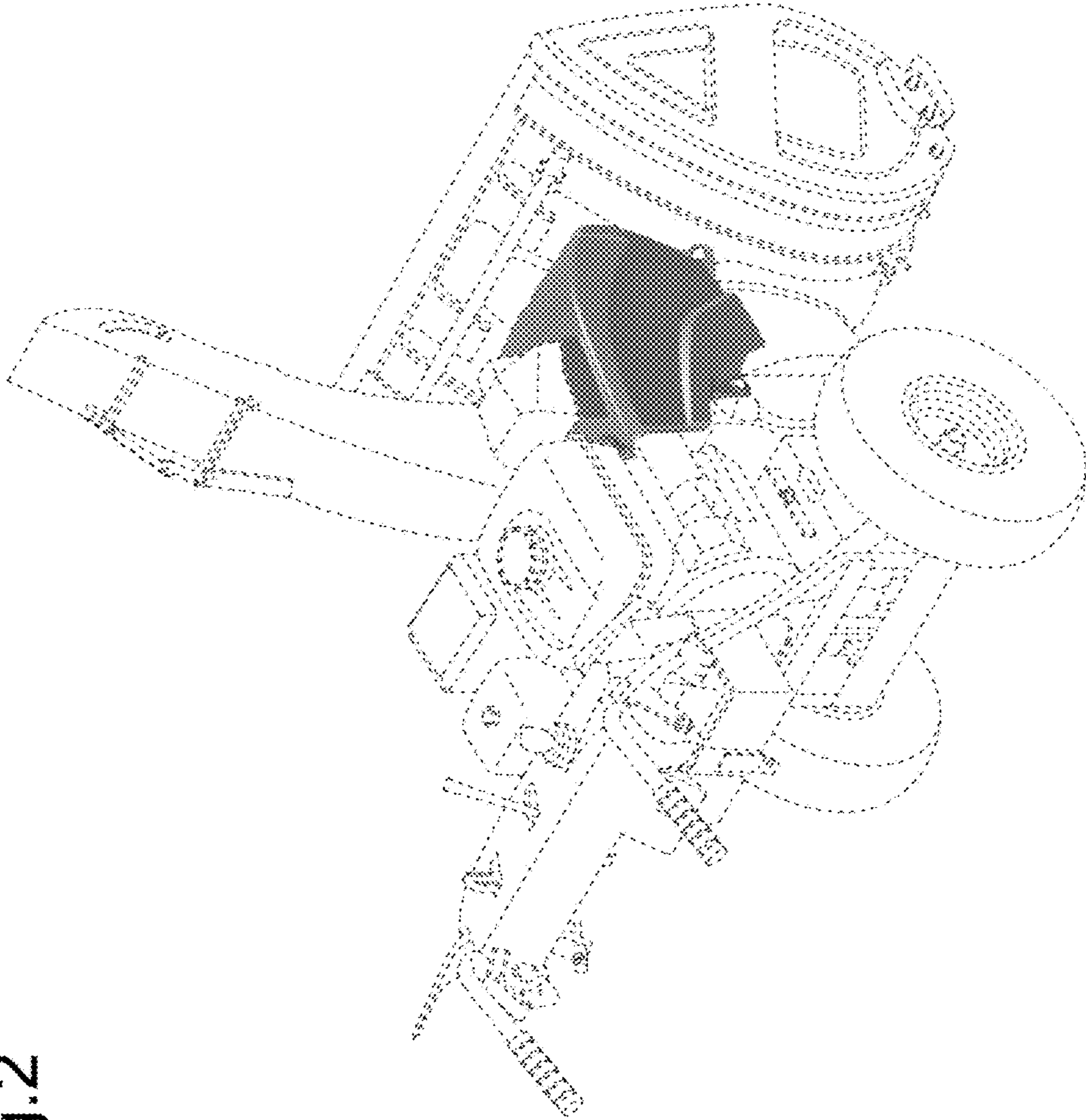


Fig.2

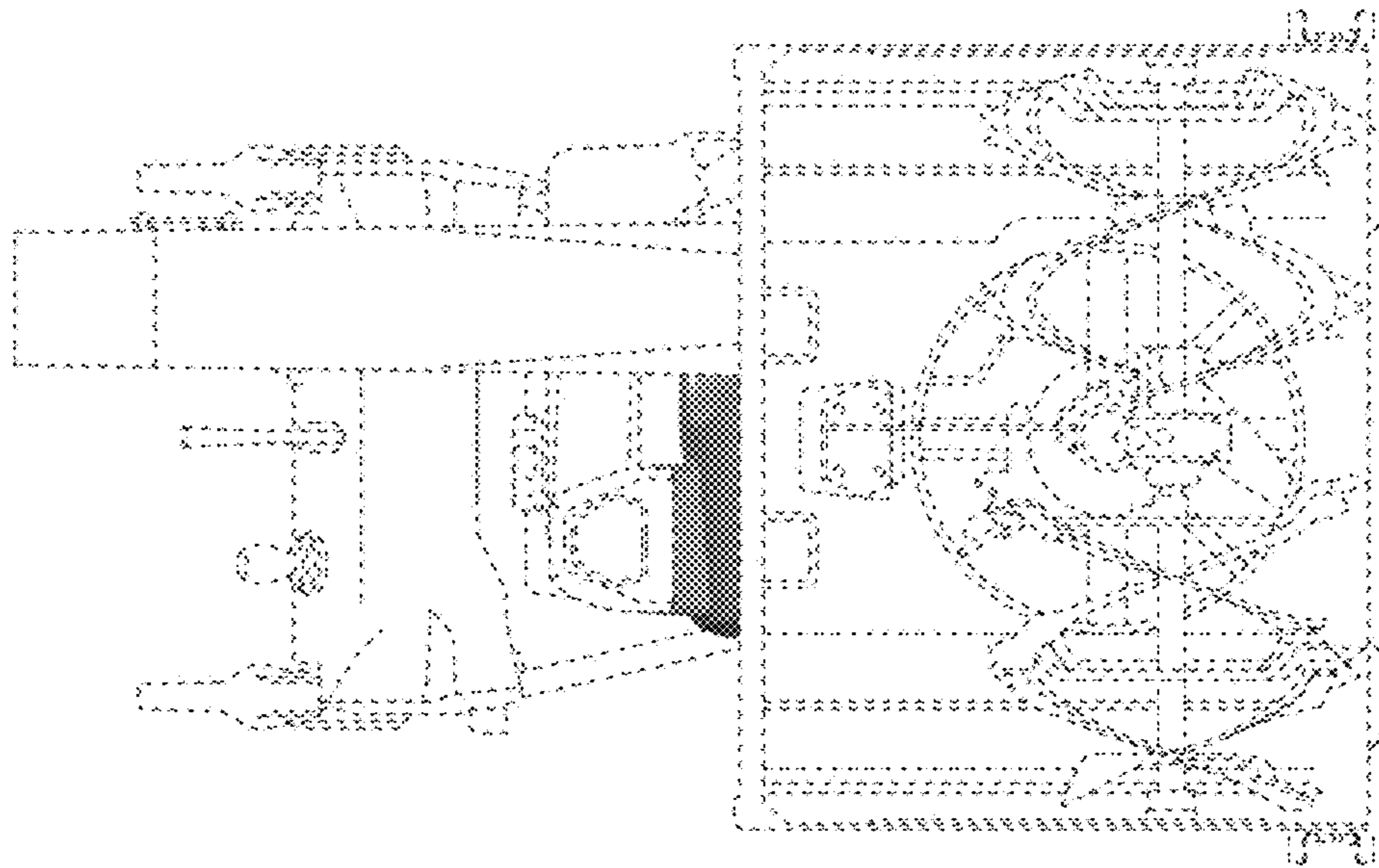


Fig. 3

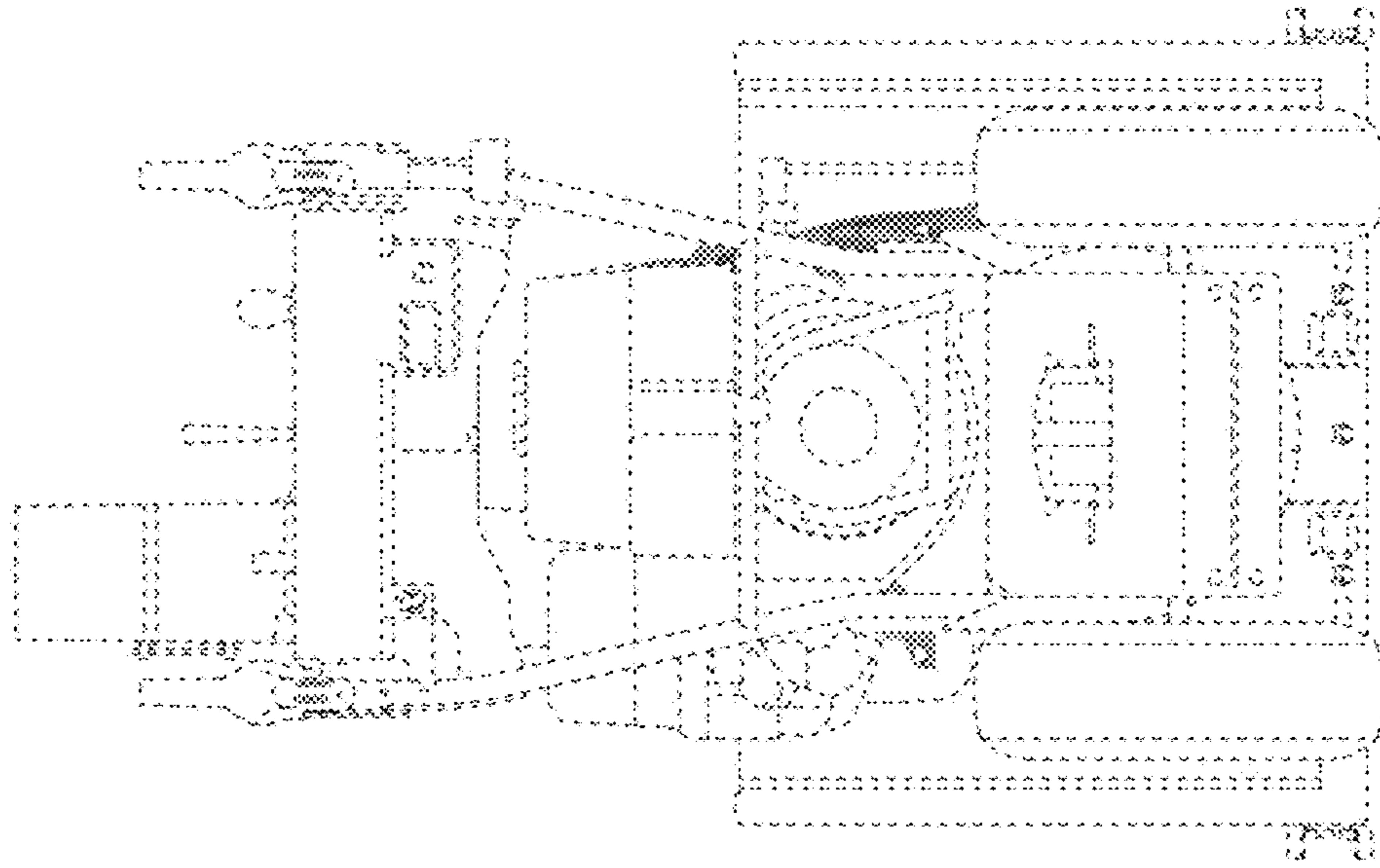


Fig.4

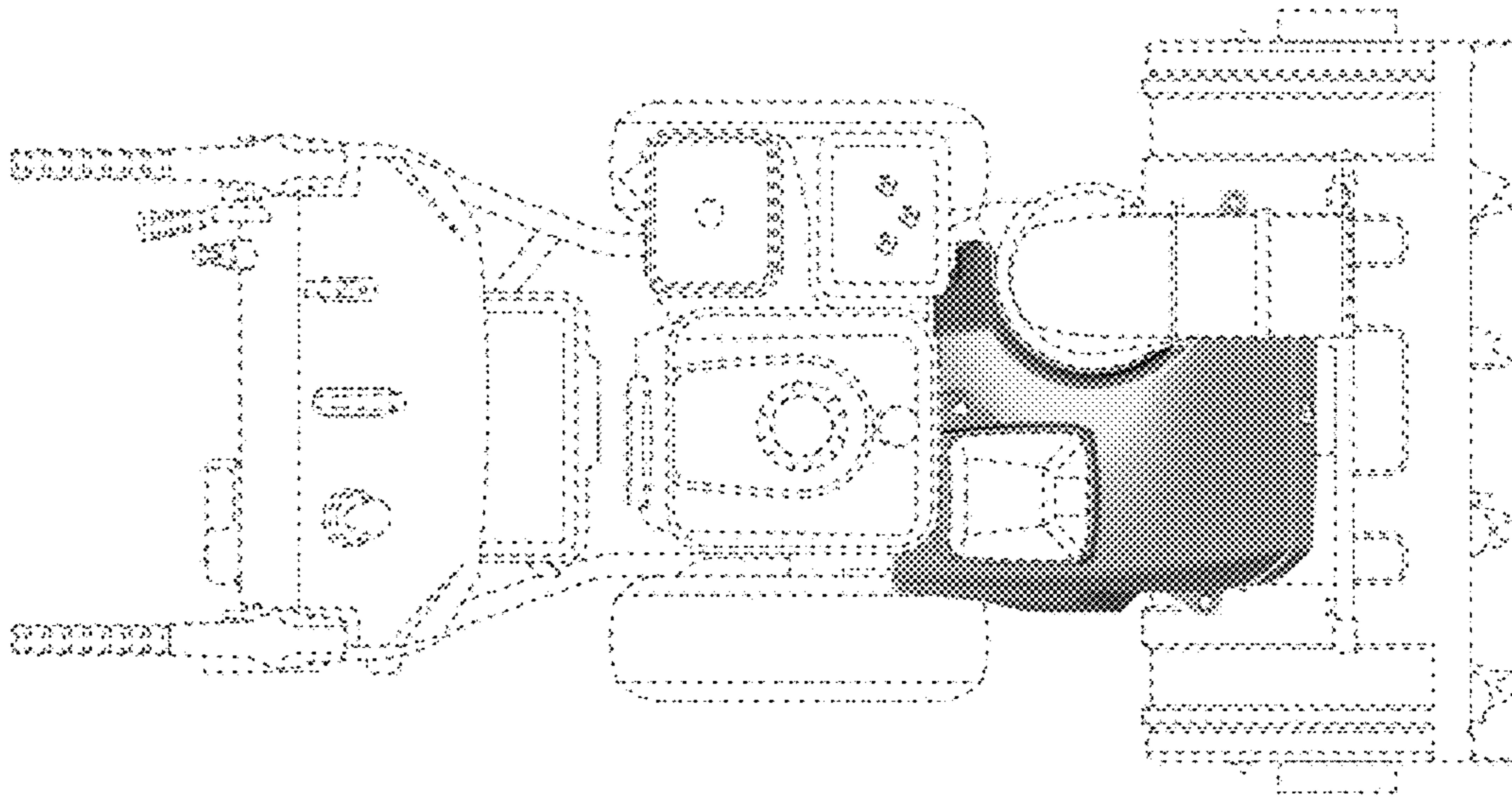


Fig. 5

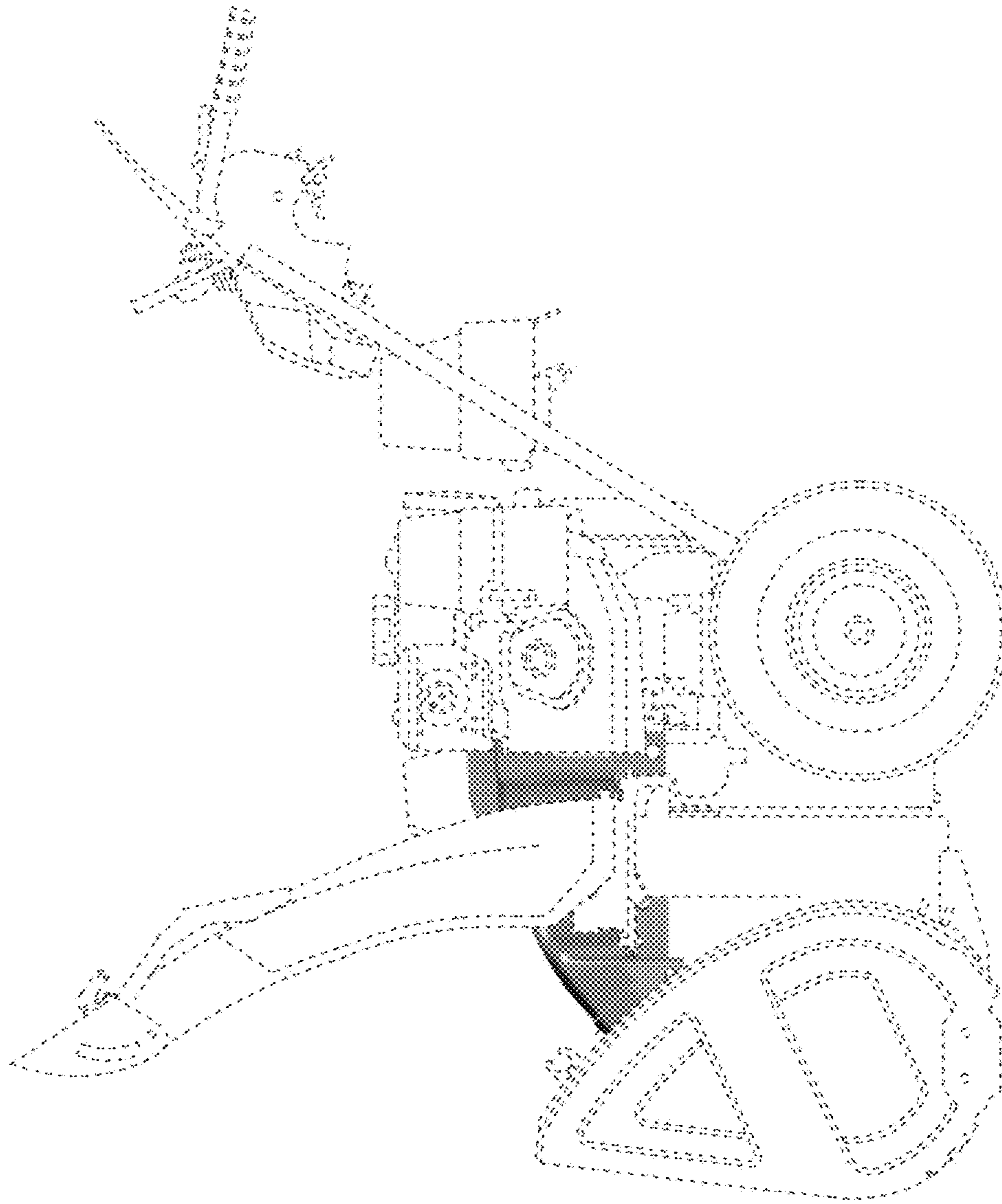


Fig. 6

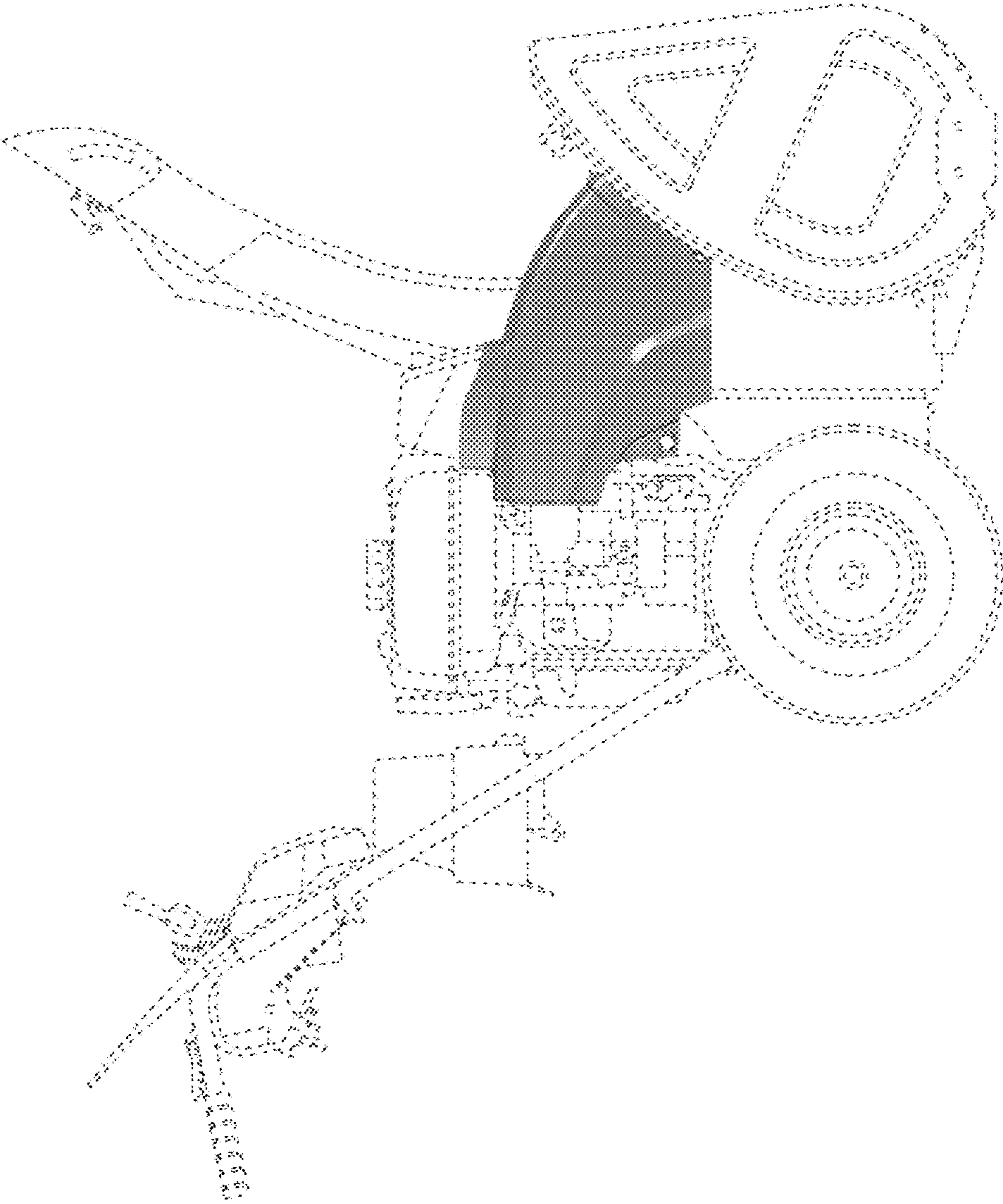


Fig. 7