



US00D780809S

(12) **United States Design Patent** (10) **Patent No.:** **US D780,809 S**
Helgesson et al. (45) **Date of Patent:** **** Mar. 7, 2017**

(54) **FUEL DISPENSER** 417/235, 265, 321, 355, 358, 363, 359,
417/410.1, 415-416, 405, 900; 60/408,
(71) Applicant: **Wayne Fueling Systems Sweden AB,** 60/412; 184/26-37; 415/140-147;
Malmö (SE) 123/495, 509

(72) Inventors: **Hanna Helgesson,** Dalby (SE); **Annika Birkler,** Malmö (SE); **Bengt I. Larsson,** Skivarp (SE); **Scott R. Negley, III,** Austin, TX (US); **Neil Thomas,** Austin, TX (US); **Kevin C. Burnett,** Austin, TX (US); **Gian Pangaro,** Brooklyn, NY (US); **Gen Suzuki,** Kamakura (JP); **Jason Robinson,** Tewksbury, MA (US); **Timothy R. Proulx,** Nashua, NH (US)

(73) Assignee: **Wayne Fueling Systems Sweden AB,** Malmö (SE)

(**) Term: **15 Years**

(21) Appl. No.: **29/537,245**

(22) Filed: **Aug. 24, 2015**

Related U.S. Application Data

(62) Division of application No. 29/472,417, filed on Nov. 12, 2013, now Pat. No. Des. 768,726, which is a
(Continued)

(30) **Foreign Application Priority Data**

Oct. 16, 2009 (EP) 1172068-0015
Oct. 16, 2009 (EP) 1172068-0018
(Continued)

(51) **LOC (10) Cl.** **15-02**

(52) **U.S. Cl.**
USPC **D15/9.2**

(58) **Field of Classification Search**
USPC D15/7-9.3; D23/231, 232, 225; 417/60,

(Continued)

(56) **References Cited**

U.S. PATENT DOCUMENTS

D188,869 S 9/1960 Bowden
D193,577 S 9/1962 Sasnett
(Continued)

OTHER PUBLICATIONS

“Tokheim Quantum 400T” [online], published at least as early as Apr. 13, 2010, [Retrieved on Jul. 27, 2010]; Retrieved from the Internet URL: <http://www.tokheim.com/main/index1.php?url=131&lg=>.

(Continued)

Primary Examiner — Ralf Seifert

(74) *Attorney, Agent, or Firm* — Mintz Levin Cohn Ferris Glovsky and Popeo, P.C.

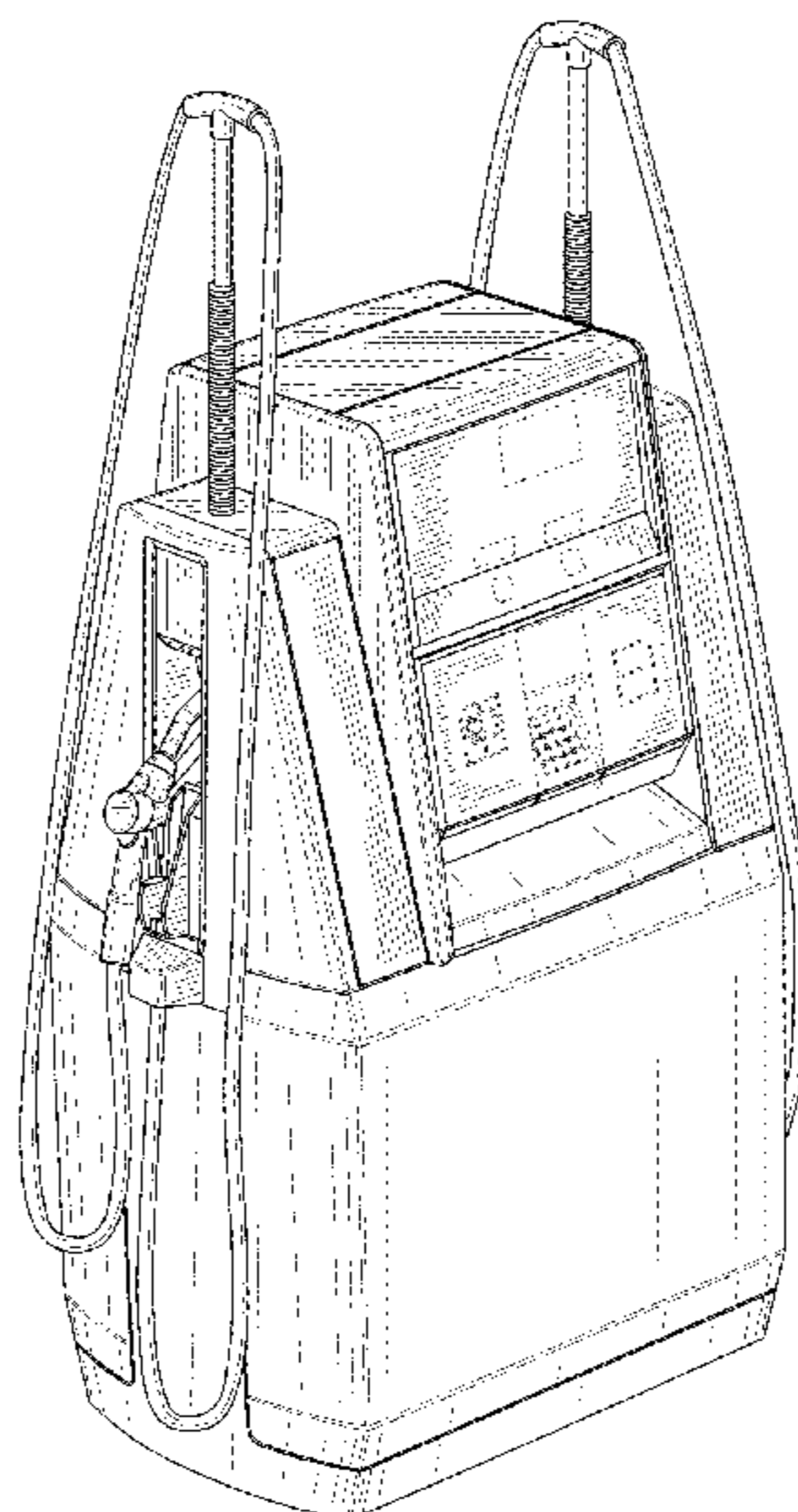
(57) **CLAIM**

The ornamental design for a fuel dispenser, as shown and described.

DESCRIPTION

FIG. 1 is a front right side perspective view of a fuel dispenser showing our new design; FIG. 2 is a front view of the fuel dispenser of FIG. 1; FIG. 3 is a right side view of the fuel dispenser of FIG. 1; FIG. 4 is a rear view of the fuel dispenser of FIG. 1; FIG. 5 is a left side view of the fuel dispenser of FIG. 1; and, FIG. 6 is a top view of the fuel dispenser of FIG. 1. The bottom and the top of the fuel dispenser of FIGS. 1-6 form no part of the claimed design.

1 Claim, 6 Drawing Sheets



Related U.S. Application Data

division of application No. 29/411,599, filed on Jan. 24, 2012, now Pat. No. Des. 700,917, which is a division of application No. 29/359,682, filed on Apr. 14, 2010, now Pat. No. Des. 655,315.

(30) **Foreign Application Priority Data**

Oct. 16, 2009	(EP)	1172068-0019
Oct. 16, 2009	(EP)	1172068-0021
Oct. 16, 2009	(EP)	1172068-0022
Oct. 16, 2009	(EP)	1172068-0024
Oct. 16, 2009	(EP)	1172068-0027
Oct. 16, 2009	(EP)	1172068-0029
Oct. 16, 2009	(EP)	1172068-0030
Oct. 16, 2009	(EP)	1172068-0031
Oct. 16, 2009	(EP)	1172068-0032
Oct. 16, 2009	(EP)	1172068-0033
Oct. 16, 2009	(EP)	1172068-0034
Oct. 16, 2009	(EP)	1172068-0035
Oct. 16, 2009	(EP)	1172068-0036
Oct. 16, 2009	(EP)	1172068-0037
Oct. 16, 2009	(EP)	1172068-0040
Oct. 16, 2009	(EP)	1172068-0042
Oct. 16, 2009	(EP)	1172068-0046

(58) **Field of Classification Search**

CPC B67D 5/22; B67D 5/12; B67D 5/08;
D67D 5/06; G06F 7/08
See application file for complete search history.

(56) **References Cited**

U.S. PATENT DOCUMENTS

D197,440	S	2/1964	Winger	
D201,516	S	6/1965	Sasnett	
D211,401	S	6/1968	Cuccio	
D244,563	S *	5/1977	Taylor	D15/9.1
D250,429	S	11/1978	Batson et al.	
D258,440	S *	3/1981	Gray	D15/9.2
D262,971	S	2/1982	Robinson, Jr. et al.	
D265,092	S	6/1982	Robinson, Jr. et al.	
D271,696	S *	12/1983	Todd	D15/9.2
D272,628	S	2/1984	Monigle et al.	
D281,427	S	11/1985	Baffo et al.	
4,576,312	A *	3/1986	Swick, Jr.	B67D 7/06 222/173
D301,342	S	5/1989	Mittermaier et al.	
D309,144	S	7/1990	Austin et al.	
D375,505	S	11/1996	Wong	
D395,052	S	6/1998	Krone et al.	
D396,047	S	7/1998	Krone et al.	
D407,412	S	3/1999	Wang	
D414,501	S	9/1999	Wilson et al.	
D414,780	S	10/1999	Wilson et al.	
D414,781	S	10/1999	Wilson et al.	
D415,167	S	10/1999	Wilson et al.	
D415,168	S	10/1999	Wilson et al.	
D415,169	S	10/1999	Wilson et al.	
D430,577	S	9/2000	Taylor et al.	
D434,424	S	11/2000	Wilson et al.	
D438,216	S	2/2001	Taylor et al.	
D454,220	S	3/2002	Antista et al.	
D454,421	S	3/2002	Jeon et al.	
D481,516	S	10/2003	Magee et al.	
D481,517	S	10/2003	Magee et al.	
D481,518	S	10/2003	Magee et al.	
D485,417	S	1/2004	Magee et al.	
D487,834	S	3/2004	Zerman et al.	
D488,280	S	4/2004	Zerman et al.	
D492,081	S	6/2004	Magee et al.	
D500,905	S	1/2005	Magee et al.	

D602,225	S	10/2009	Lute et al.	
D623,375	S	9/2010	Douglass et al.	
D625,305	S	10/2010	Bleck et al.	
D628,764	S	12/2010	Bleck et al.	
D629,585	S	12/2010	Bleck et al.	
D631,634	S	1/2011	Bleck et al.	
D655,315	S *	3/2012	Helgesson	D15/9.1
D664,997	S *	8/2012	Helgesson	D15/9.1
D667,846	S	9/2012	Helgesson et al.	
D677,284	S	3/2013	Helgesson et al.	
D700,917	S	3/2014	Helgesson et al.	
8,814,001	B2	8/2014	Birkler et al.	
D718,338	S *	11/2014	Helgesson	D15/9.2
2010/0161489	A1	6/2010	Goodall et al.	
2010/0176191	A1	7/2010	Ramachandran et al.	
2010/0187299	A1	7/2010	Block et al.	
2010/0187300	A1	7/2010	Ramachandran et al.	
2010/0241564	A1	9/2010	Miller et al.	
2010/0243729	A1	9/2010	Russell et al.	
2010/0258621	A1	10/2010	Schlabach et al.	

OTHER PUBLICATIONS

“Tokheim Quantum 500T” [online]. Published at least as early as Apr. 13, 2010, [Retrieved on Jul. 27, 2010]; Retrieved from the Internet URL: <http://www.tokheim.com/main/index1.php?url=130&lg=>.

European Community Design No. 001172068-0015 published Oct. 16, 2009, Assigned to Dresser Wayne AB.

European Community Design No. 001172068-0018 published Oct. 16, 2009, Assigned to Dresser Wayne AB.

European Community Design No. 001172068-0019 published Oct. 16, 2009, Assigned to Dresser Wayne AB.

European Community Design No. 001172068-0021 published Oct. 16, 2009, Assigned to Dresser Wayne AB.

European Community Design No. 001172068-0022 published Oct. 16, 2009, Assigned to Dresser Wayne AB.

European Community Design No. 001172068-0024 published Oct. 16, 2009, Assigned to Dresser Wayne AB.

European Community Design No. 001172068-0027 published Oct. 16, 2009, Assigned to Dresser Wayne AB.

European Community Design No. 001172068-0029 published Oct. 16, 2009, Assigned to Dresser Wayne AB.

European Community Design No. 001172068-0030 published Oct. 16, 2009, Assigned to Dresser Wayne AB.

European Community Design No. 001172068-0031 published Oct. 16, 2009, Assigned to Dresser Wayne AB.

European Community Design No. 001172068-0032 published Oct. 16, 2009, Assigned to Dresser Wayne AB.

European Community Design No. 001172068-0033 published Oct. 16, 2009, Assigned to Dresser Wayne AB.

European Community Design No. 001172068-0034 published Oct. 16, 2009, Assigned to Dresser Wayne AB.

European Community Design No. 001172068-0035 published Oct. 16, 2009, Assigned to Dresser Wayne AB.

European Community Design No. 001172068-0036 published Oct. 16, 2009, Assigned to Dresser Wayne AB.

European Community Design No. 001172068-0037 published Oct. 16, 2009, Assigned to Dresser Wayne AB.

European Community Design No. 001172068-0040 published Oct. 16, 2009, Assigned to Dresser Wayne AB.

European Community Design No. 001172068-0042 published Oct. 16, 2009, Assigned to Dresser Wayne AB.

European Community Design No. 001172068-0046 published Oct. 16, 2009, Assigned to Dresser Wayne AB.

“Bennett Big Squirt High Speed Truck Stop Fueling” [online], published at least as early as Apr. 13, 2010, [Retrieved on Jul. 27, 2010]; Retrieved from the Internet URL: <http://www.bennettpump.com/products/big-squirt>.

“Bennett BlueFueler Series Diesel Exhaust Fluid Dispensers” [online], published at least as early as Apr. 13, 2010, [Retrieved on Jul. 27, 2010]; Retrieved from the Internet URL: <http://www.bennettpump.com/products/def>.

(56)

References Cited

OTHER PUBLICATIONS

“Bennett Commercial Industrial Fleet Fueling”: [online], published at least as early as Apr. 13, 2010, [Retrieved on Jul. 28, 2010]; Retrieved from the Internet URL: <http://www.bennettpump.com/products/commercial-industrial-fleet-fueling>.

“Bennett Horizon2 Series Retail Multi-Product Dispensers/Pumps”: [online], published at least as early as Apr. 13, 2010, [Retrieved on Jul. 28, 2010]; Retrieved from the Internet URL: <http://www.bennettpump.com/products/horizon2-series>.

“Bennett Pacific Series Retail Multi-Product Dispensers” [online], published at least as early as Apr. 13, 2010, [Retrieved on Jul. 27, 2010]; Retrieved from the Internet URL: <http://www.bennettpump.com/products/pacific-series>.

“Bennett Special Retail Applications 3000 Series Retail Single and Dual Dispensers/Pumps” [online], published at least as early as Apr. 13, 2010, [Retrieved on Jul. 28, 2010]; Retrieved from the Internet URL: <http://www.bennettpump.com/products/special-retail-applications>.

“Dresser Wayne Century—China Edition”: [online], published at least as early as Apr. 13, 2010, [Retrieved on Sep. 1, 2010]; Retrieved from the Internet URL: <http://www.wayne.com/index.cfm/go/product-detail/product/china%20century/>.

“Dresser Wayne Century G1000”: [online], published at least as early as Apr. 13, 2010, [Retrieved on Sep. 1, 2010]; Retrieved from the Internet URL: <http://www.wayne.com/index.cfm/go/product-detail/product/century-g1000/>.

“Dresser Wayne Century”: [online], published at least as early as Apr. 13, 2010, [Retrieved on Sep. 1, 2010]; Retrieved from the Internet URL: [http://www.wayne.com/index.cfm/go/product-detail/product/century-\(na\)](http://www.wayne.com/index.cfm/go/product-detail/product/century-(na)).

“Dresser Wayne DEF Dispenser”: [online], published at least as early as Apr. 13, 2010, [Retrieved on Sep. 1, 2010]; Retrieved from the Internet URL: <http://www.wayne.com/index.cfm/go/product-detail/product/DEF-Dispenser/>.

“Dresser Wayne Global Century”: [online], published at least as early as Apr. 13, 2010, [Retrieved on Sep. 1, 2010]; Retrieved from the Internet URL: <http://www.wayne.com/index.cfm/go/product-detail/product/Global%20Century%20Fuel%20Dispenser/>.

“Dresser Wayne Global Ovation IX”: [online], published at least as early as Apr. 13, 2010, [Retrieved on Jul. 28, 2010]; Retrieved from the Internet URL: <http://www.wayne.com/index.cfm/go/product-detail/product/global-ovation-ix/>.

“Dresser Wayne Global Star LPG”: [online], published at least as early as Apr. 13, 2010, [Retrieved on Jul. 28, 2010]; Retrieved from the Internet URL: <http://www.wayne.com/index.cfm/go/product-detail/product/global-star-lpg/>.

“Dresser Wayne Global Star V”: [online], published at least as early as Apr. 13, 2010, [Retrieved on Jul. 28, 2010]; Retrieved from the Internet URL: <http://www.wayne.com/index.cfm/go/product-detail/product/global-star/>.

“Dresser Wayne Global Vista”: [online], published at least as early as Apr. 13, 2010, [Retrieved on Sep. 1, 2010]; Retrieved from the Internet URL: <http://www.wayne.com/index.cfm/go/product-detail/product/global-vista/>.

“Dresser Wayne HS Vista”: [online], published at least as early as Apr. 13, 2010, [Retrieved on Aug. 4, 2010]; Retrieved from the Internet URL: <http://www.wayne.com/index.cfm/go/product-detail/product/hs-vista/>.

“Dresser Wayne Ovation LX”: [online], published at least as early as Apr. 13, 2010, [Retrieved on Jul. 28, 2010]; Retrieved from the Internet URL: <http://www.wayne.com/index.cfm/go/product-detail/product/Ovation-LX/>.

“Dresser Wayne Ovation”: [online], published at least as early as Apr. 13, 2010, [Retrieved on Jul. 28, 2010]; Retrieved from the Internet URL: <http://www.wayne.com/index.cfm/go/product-detail/product/ovation/>.

“Dresser Wayne Pignone”, DPX-A model fuel dispenser, Multi-product type, DPX-A fuel dispenser—Code TLO 29079—Revision 0—Sep. 2004; publication date at least as early as Oct. 14, 2009.

“Dresser Wayne Pignone”, DPXF CNG model dispenser, Compressed Natural Gas (CNG) dispenser, DPX-F CNG dispenser—Code TLO 29082—Revision 0—Sep. 2004; publication date at least as early as Oct. 14, 2009.

“Dresser Wayne Pignone”, Global Star HH and LHR, Global Technology for Multiproduct Dispensers, Global Star HH/LHR-4 pages 480291 GB, Revision Date Jul. 6, 2004; publication date at least as early as Oct. 14, 2009.

“Dresser Wayne Pignone, Global Star SCR Dispenser”, Global Star for SCR-2 pp. 480292 GB, Revision Date Jul. 14, 2004; publication date at least as early as Oct. 14, 2009.

“Dresser Wayne Vista—China Edition”: [online], published at least as early as Apr. 13, 2010, [Retrieved on Sep. 1, 2010]; Retrieved from the Internet URL: <http://www.wayne.com/index.cfm/go/product-detail/product/china%20vista/>.

“Dresser Wayne Vista”: [online], published at least as early as Apr. 13, 2010, [Retrieved on Jul. 28, 2010]; Retrieved from the Internet URL: <http://www.wayne.com/index.cfm/go/product-detail/productNista/>.

“Dresser Wayne, 3/G 3000, Global Century High Hose Multi-Grade/Multi-Product Dispensers”, Increased flexibility using less island space; publication date at least as early as Oct. 14, 2009.

“Dresser Wayne, Harmony Series Dispensers Parts Manual”, Part No. 920640 Rev A, Mar. 2002, cover page.

“Dresser Wayne, Ovation TM Series Dispensers, Leading the Industry in Technology and Evolutionary Design”, Ovation-4 PN 920777 Rev B 4/05; publication date at least as early as Oct. 14, 2009.

“Dresser Wayne, Reliance” Series Fleet Pumps & Dispensers, A Reliable Solution for Fleet Fueling, Reliance-4 G6200 PN 920800 Rev B 4/05; publication date at least as early as Oct. 14, 2009.

“Dresser Wayne, Select Series Fleet Pumps & Dispensers, Advanced Technology for Fleet Fueling”, Select-4 G7200 PN 920801 B 4/05; publication date at least as early as Oct. 14, 2009.

“Dresser Wayne, Vista Series Pumps & Dispensers, Unmatched Flexibility in Forecourt Equipment Solutions”, Vista-4 PN 920778, Rev_B 4/05; publication date at least as early as Oct. 14, 2009.

“Gilbarco Autotank FlexPay B2B” [online], published at least as early as Oct. 16, 2009, Retrieved from the Internet URL: <http://www.autotank.com/product28.aspx>.

“Gilbarco Autotank FlexPay NP3” [online], published at least as early as Oct. 16, 2009, Retrieved from the Internet URL: <http://www.autotank.com/product29.asp>.

“Gilbarco Autotank FlexPay SK3” [online], published at least as early as Oct. 16, 2009, Retrieved from the Internet URL: <http://www.autotank.com/product30.aspx>.

“Gilbarco Encore 300”: [online], published at least as early as Apr. 13, 2010, [Retrieved on Sep. 1, 2010]; Retrieved from the Internet URL: http://www.gilbarco.com/page/encore_300_dispensers.html.

“Gilbarco Encore 300”: [online], published at least as early as Apr. 2008: www.mecoatlanta.com, [Retrieved on Oct. 12, 2010]; Retrieved from the Internet URL: www.archive.org.

“Gilbarco Encore S”: [online], published at least as early as Apr. 13, 2010, [Retrieved on Sep. 1, 2010]; Retrieved from the Internet URL: <http://www.gilbarco.com/page/EncoreS>.

“Gilbarco Encore Ultra-Hi Flow”: [online], published at least as early as Apr. 13, 2010, [Retrieved on Sep. 1, 2010]; Retrieved from the Internet URL: http://www.gilbarco.com/page/Encore_300_Ultra-Hi_Flow.html.

“Gilbarco Encore,” publication at least as early as Apr. 13, 2010; www.mecoatlanta.com.

“Gilbarco Legacy Series—Electronic”: [online], published at least as early as Apr. 13, 2010, [Retrieved on Sep. 1, 2010]; Retrieved from the Internet URL: http://www.gilbarco.com/page/Legacy_Electronics.

“Gilbarco Legacy Series—Mechanical”: [online], published at least as early as Apr. 13, 2010, [Retrieved on Sep. 1, 2010]; Retrieved from the Internet URL: http://www.gilbarco.com/page/Legacy_Series_Mechanical_context.

“Gilbarco Performer”: [online], published at least as early as Apr. 13, 2010, [Retrieved on Sep. 1, 2010]; Retrieved from the Internet URL: <http://www.gilbarco.com/page/Performer>.

(56)

References Cited

OTHER PUBLICATIONS

“Hectronic Hecfleet” [online], published at least as early as Oct. 16, 2009, Retrieved from the Internet URL: <http://www.hectronic.com/en/products/refuelling/autofuel-systems/hecfleet/>.

“Hectronic Hecstar” [online], published at least as early as Oct. 16, 2009, Retrieved from the Internet URL: <http://www.hectronic.com/en/products/refuelling/autofuel-systems/hecstar/>.

“Hectronic” The different way. In the thick of it. And refreshingly different. [online], published at least as early as Oct. 16, 2009, Retrieved from the Internet URL: http://www.hectronic.com/en/nc/documentation/company/?txdrblob_pi1%5BdownloadUId%5D=609.

“Petrotec Genesys OPT” [online], published at least as early as Oct. 16, 2009, Retrieved from the Internet URL: <http://www.petrotec.pt/index.php?id=74&tbl=registos&id2=201>.

“Tokheim Crypto VGA” [online], published at least as early as Oct. 16, 2009; Retrieved from the Internet URL: <http://www.tokheim.com/maintindex1.php?url=25&1g>.

“Tokheim Premier C”: [online], published at least as early as Apr. 13, 2010, [Retrieved on Oct. 8, 2010]; Retrieved from the Internet URL: <http://www.graffco.com/IT%20Premier/020C%20Blender.htm>.

“Tokheim Quantum 200T” [online], published at least as early as Apr. 13, 2010, [Retrieved on Jul. 27, 2010]; Retrieved from the Internet URL: <http://www.tokheim.com/main/index1.php?url=133&1g=>.

“Tokheim Quantum 300T” [online], published at least as early as Apr. 13, 2010, [Retrieved on Jul. 27, 2010]; Retrieved from the Internet URL: <http://www.tokheim.com/main/index1.php?url=132&1g=>.

* cited by examiner

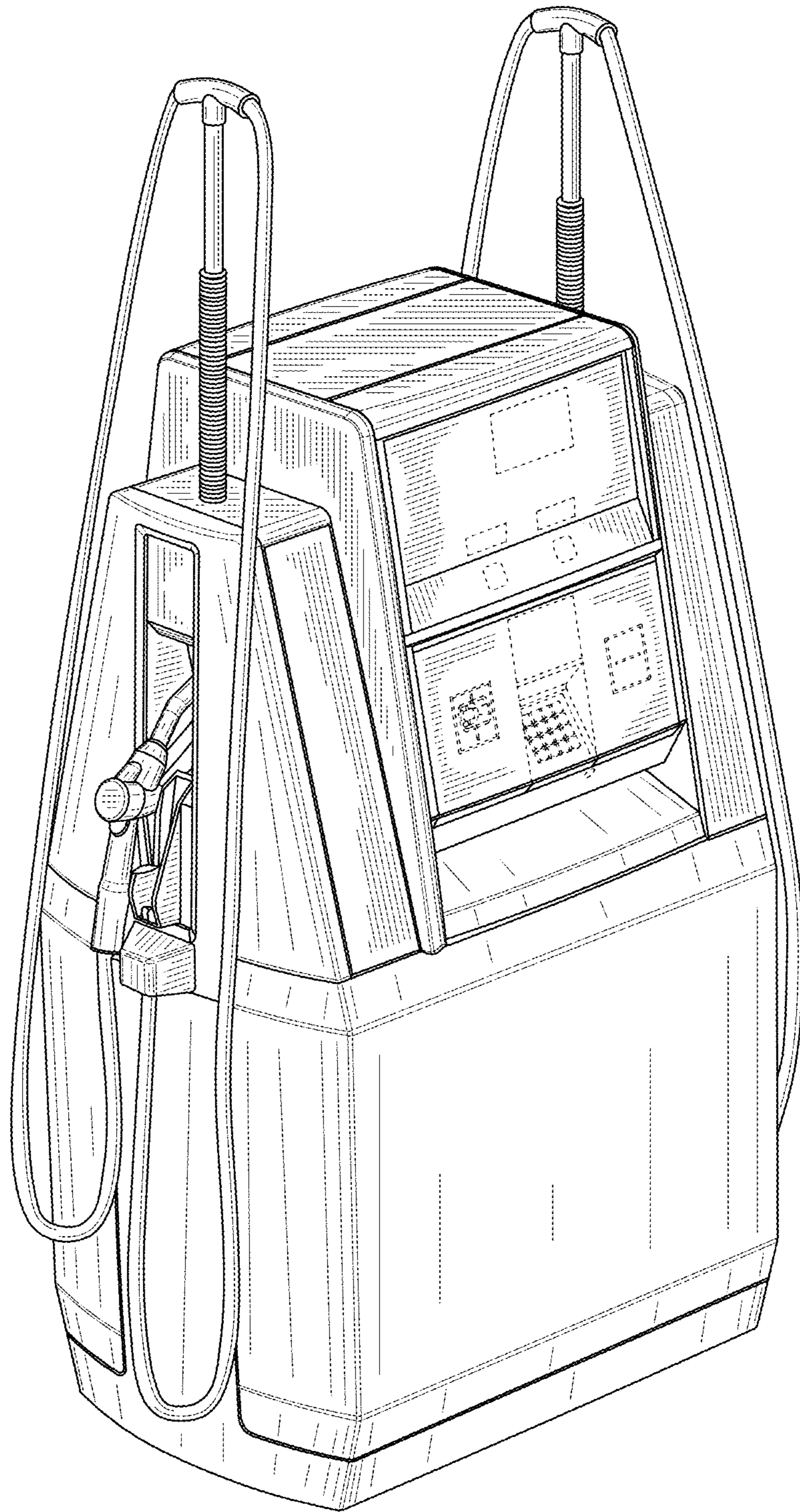


FIG. 1

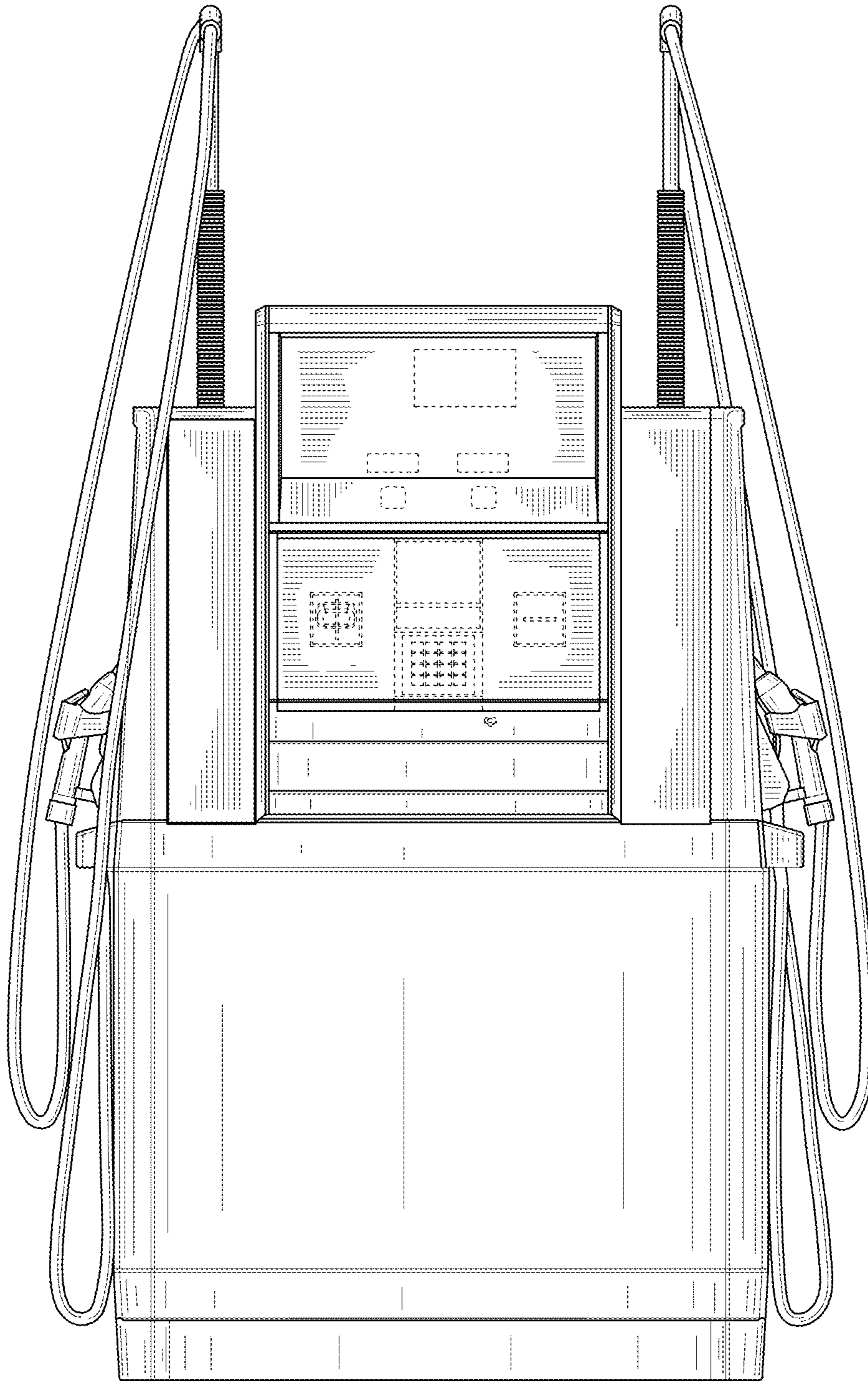


FIG. 2

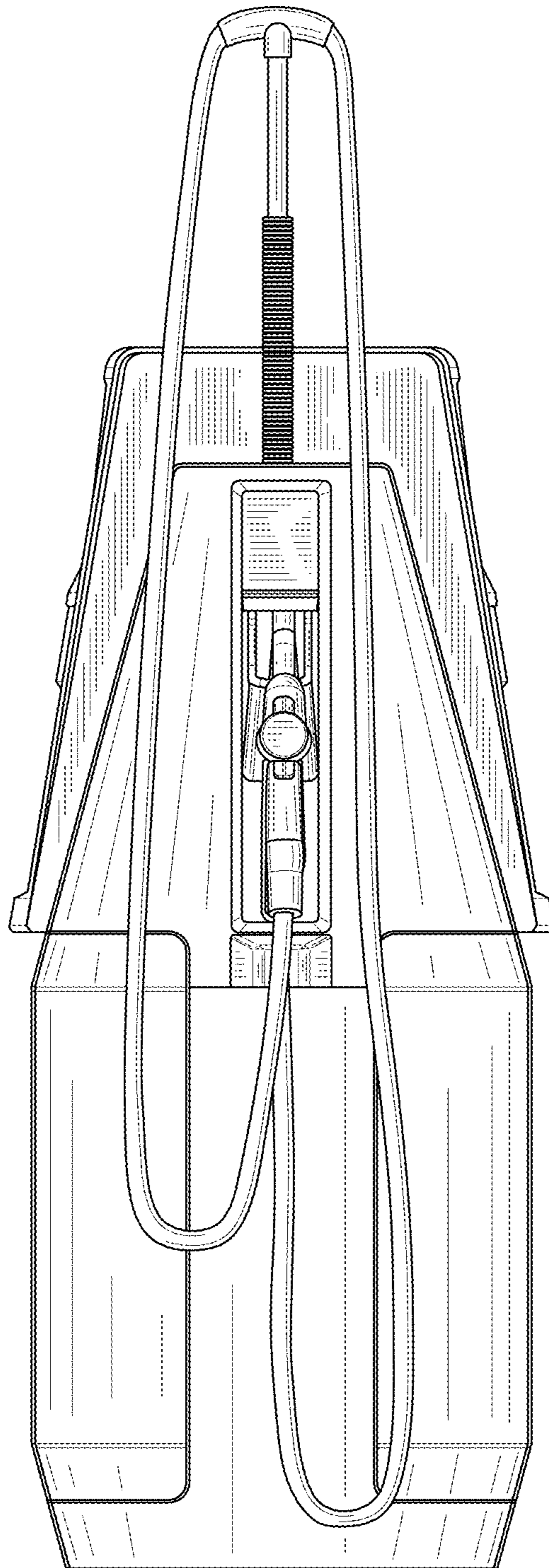


FIG. 3

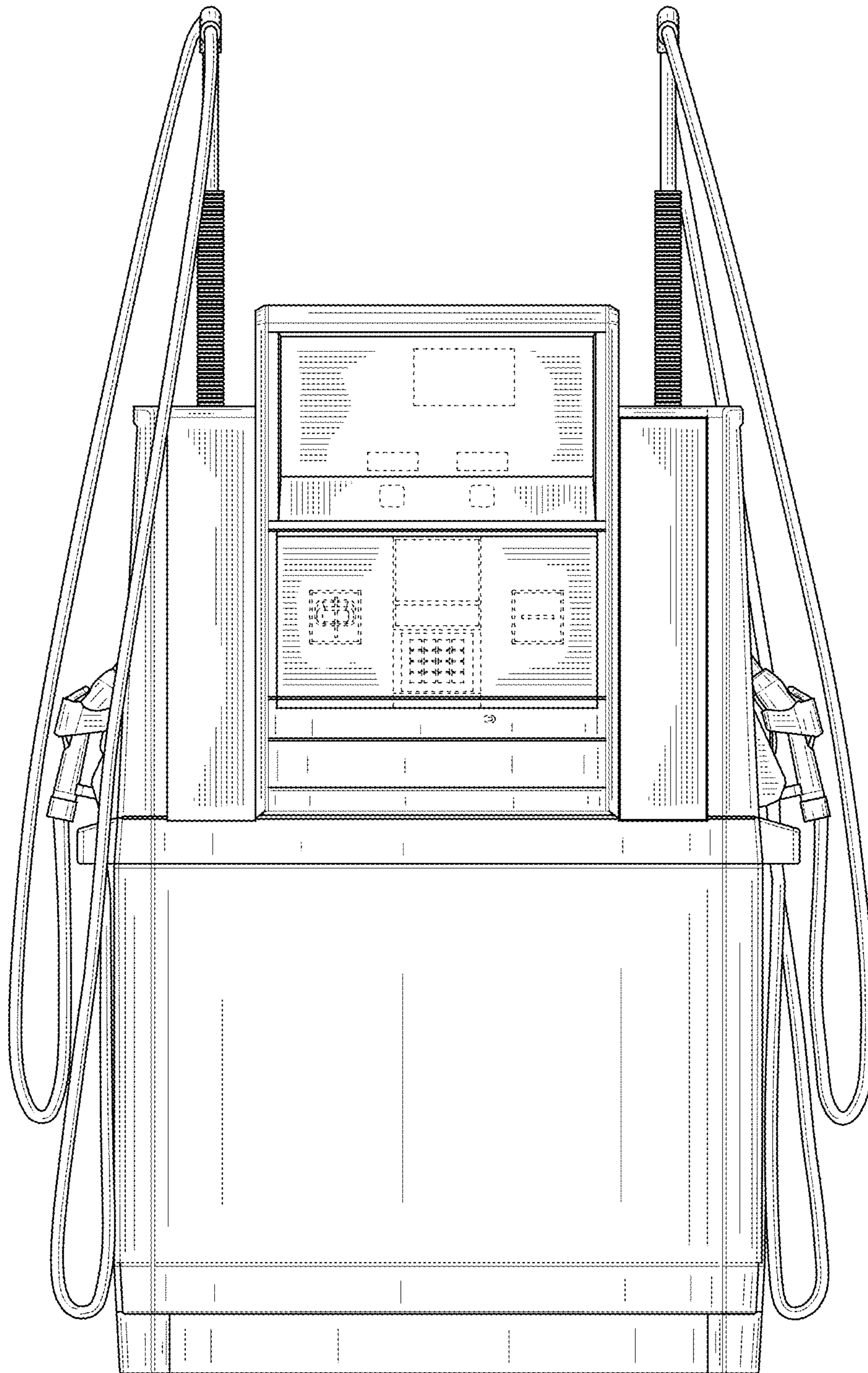


FIG. 4

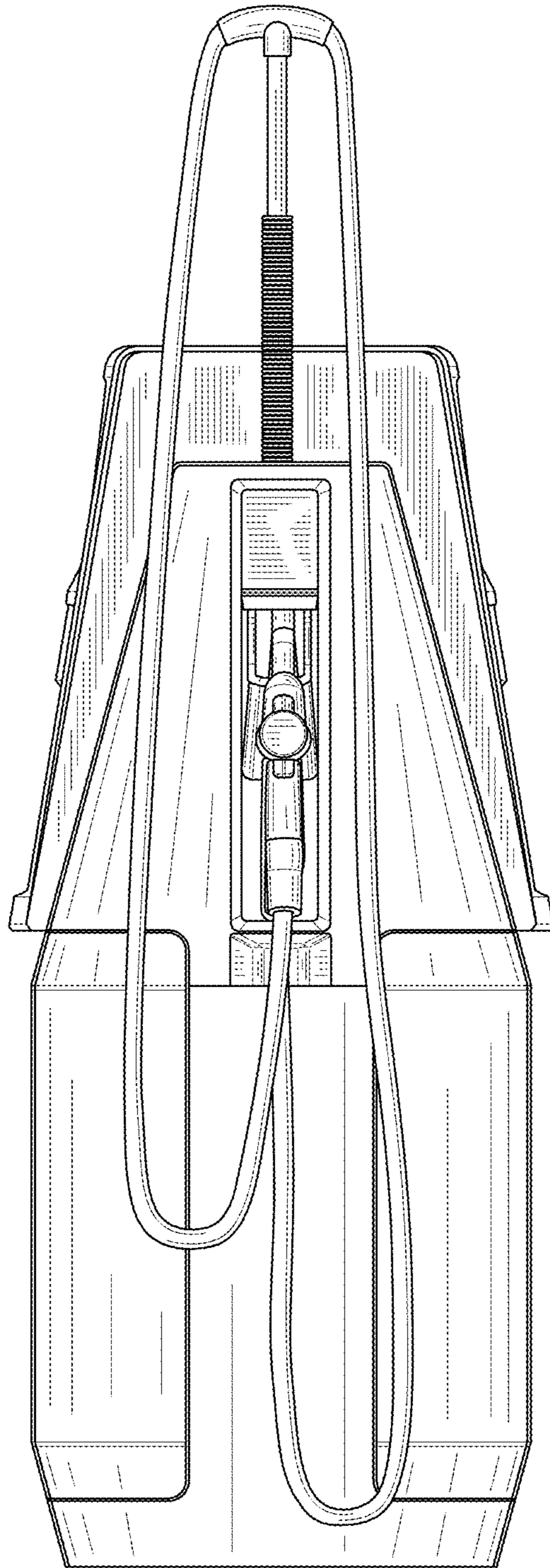


FIG. 5

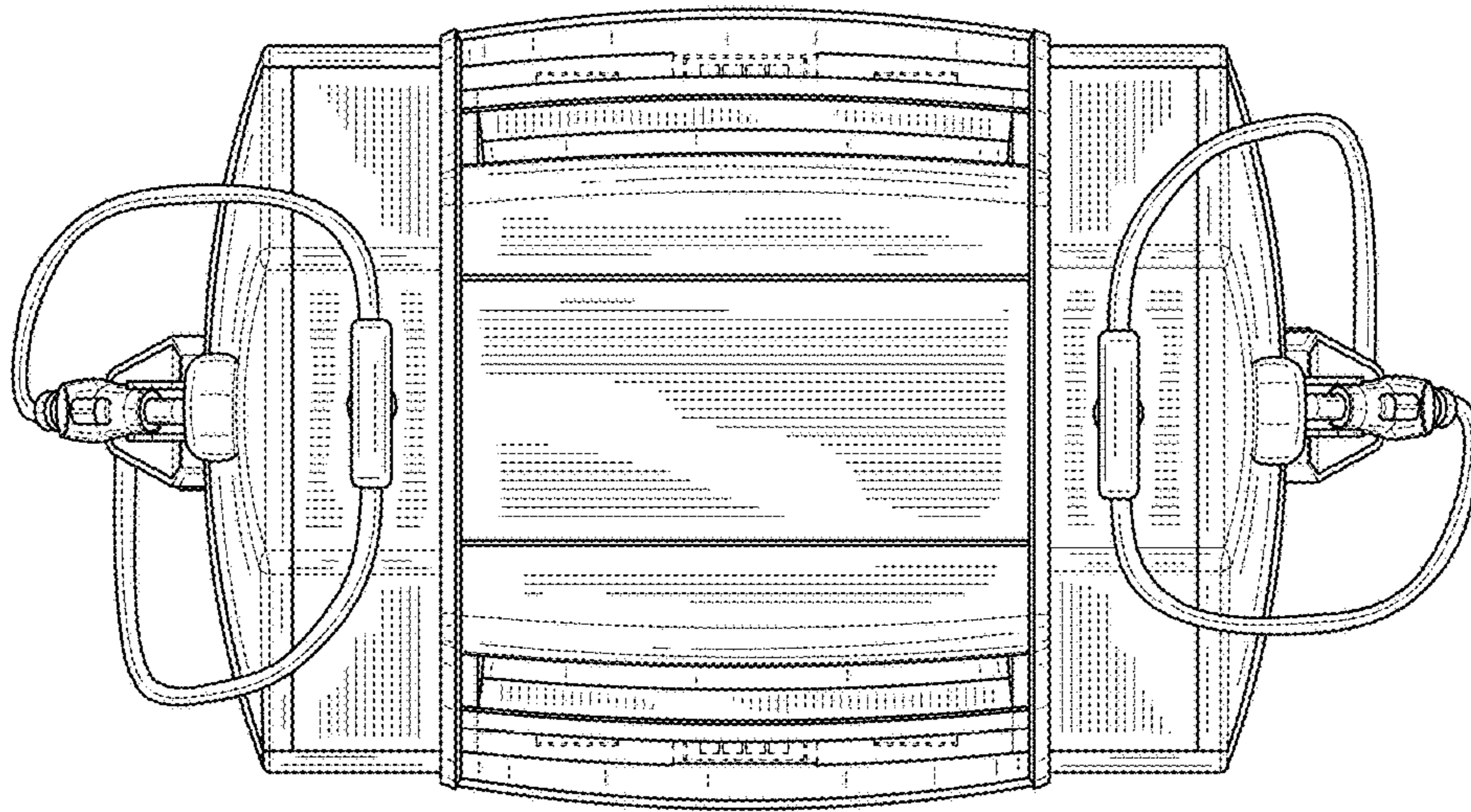


FIG. 6