



US00D780807S

(12) **United States Design Patent**  
**Chen et al.**

(10) **Patent No.:** **US D780,807 S**  
(45) **Date of Patent:** **\*\* Mar. 7, 2017**

(54) **HAND-HELD CONTROLLER FOR VIRTUAL-REALITY SYSTEM**

(71) Applicant: **OCULUS VR, LLC**, Menlo Park, CA (US)

(72) Inventors: **Yi-yaun Chen**, Seattle, WA (US); **Peter Wesley Bristol**, Seattle, WA (US); **Robert Hubler**, Seattle, WA (US); **Quintin Morris**, Issaquah, WA (US)

(73) Assignee: **OCULUS VR, LLC**, Menlo Park, CA (US)

(\*\*) Term: **15 Years**

(21) Appl. No.: **29/529,981**

(22) Filed: **Jun. 11, 2015**

(51) **LOC (10) Cl.** ..... **14-03**

(52) **U.S. Cl.**

USPC ..... **D14/496**; D21/333; D14/203.3

(58) **Field of Classification Search**

USPC ..... D14/496, 401, 435, 474, 483, 217, 137, D14/138, 160, 168, 356, 203.1–203.8, D14/507; 345/156, 169, 173–179, 905; 715/727–729, 864, 700, 706, 719; 710/1, 710/5, 8; 713/1, 600; 455/1.1, 1.7, 73, 455/344–347, 93, 95, 3.01–3.06, 550.1, 455/573.1; 370/342–344; 369/1, 2, 6–12; 463/51–57, 40–47, 1, 29–35; D21/324, D21/328, 333; 273/148 B

CPC .. A63F 13/00; A63F 13/02; A63F 9/00; G06F 17/00; G06F 19/00

See application file for complete search history.

(56) **References Cited**

U.S. PATENT DOCUMENTS

5,265,009 A \* 11/1993 Colavita ..... A63F 1/18  
273/148 R  
D418,879 S \* 1/2000 Hornsby ..... D10/46.1  
6,430,110 B2 \* 8/2002 Baroche ..... G04B 37/0016  
368/10

(Continued)

*Primary Examiner* — Prabhakar Deshmukh

(74) *Attorney, Agent, or Firm* — Morgan, Lewis & Bockius LLP

(57) **CLAIM**

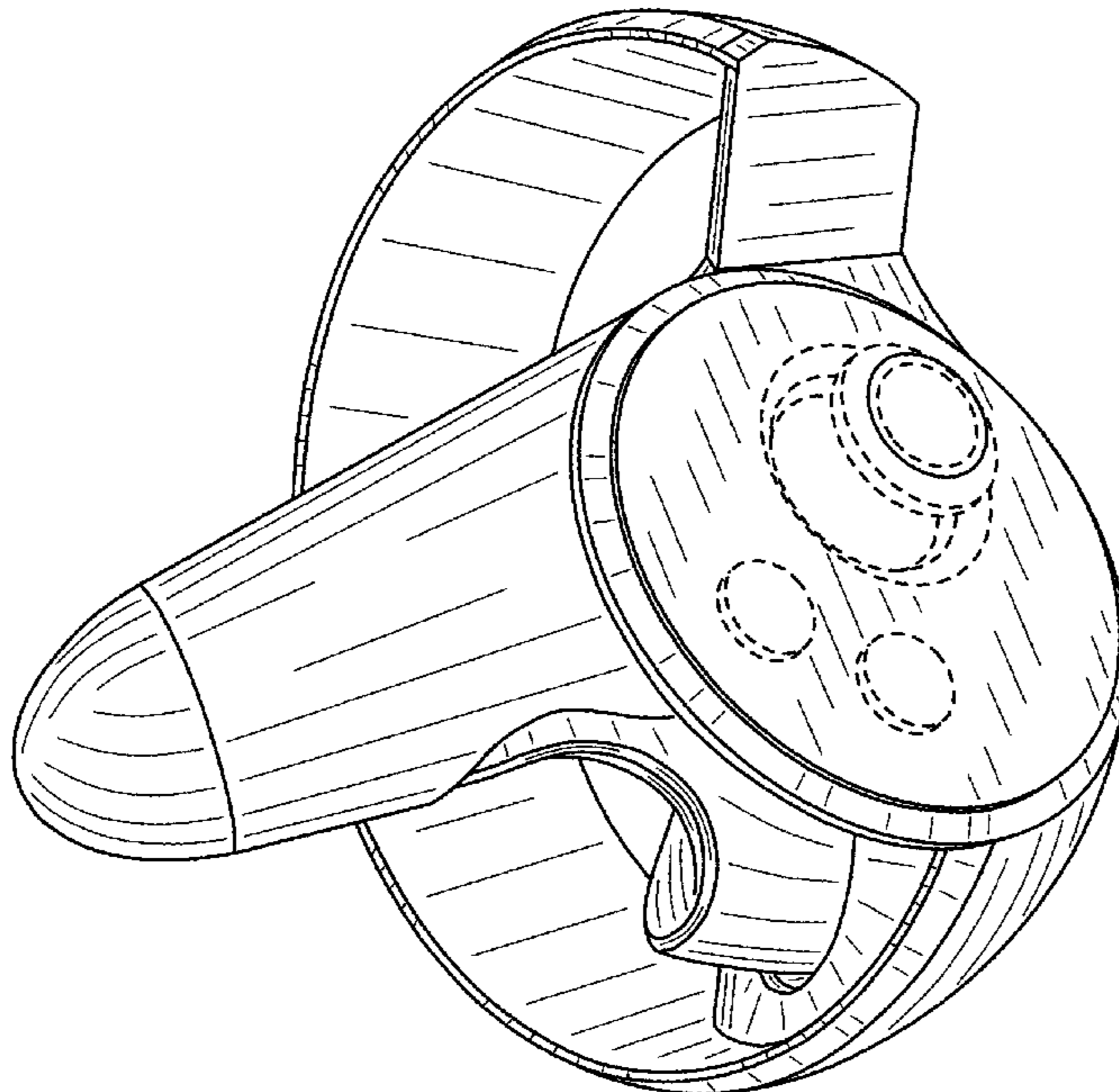
The ornamental design for a hand-held controller for virtual-reality system, as shown and described.

**DESCRIPTION**

FIG. 1 is a top, left perspective view of a hand-held controller for virtual reality system showing our new design; FIG. 2 is a top, right perspective view thereof; FIG. 3 is a top, right-rear perspective view thereof; FIG. 4 is a top plan view thereof; FIG. 5 is a left side elevational view thereof; FIG. 6 is a right side elevational view thereof; FIG. 7 is a right-rear elevational view thereof; FIG. 8 is a left-rear elevational view thereof; FIG. 9 is a rear elevational view thereof; FIG. 10 is a bottom-right perspective view thereof; and, FIG. 11 is a bottom view of the design of FIGS. 1-10.

The broken lines indicate unclaimed portions and form no part of the claimed design. The claimed design discloses a left hand use of the article and it is understood that the right hand use of the article is the mirror image of the disclosed claimed design.

**1 Claim, 11 Drawing Sheets**



(56)

**References Cited**

U.S. PATENT DOCUMENTS

6,970,157 B2 \* 11/2005 Siddeeq ..... G06F 1/163  
345/168  
D586,823 S \* 2/2009 Anderson ..... D14/496  
D616,417 S \* 5/2010 Liao ..... D14/203.5  
8,188,842 B2 \* 5/2012 Otsuka ..... G08C 17/02  
340/12.15  
8,994,643 B2 \* 3/2015 Massie ..... G06F 1/206  
345/156  
D729,803 S \* 5/2015 Avery ..... D14/401  
9,141,087 B2 \* 9/2015 Brown ..... G04F 10/00  
D742,972 S \* 11/2015 Corrigan ..... D21/324

\* cited by examiner

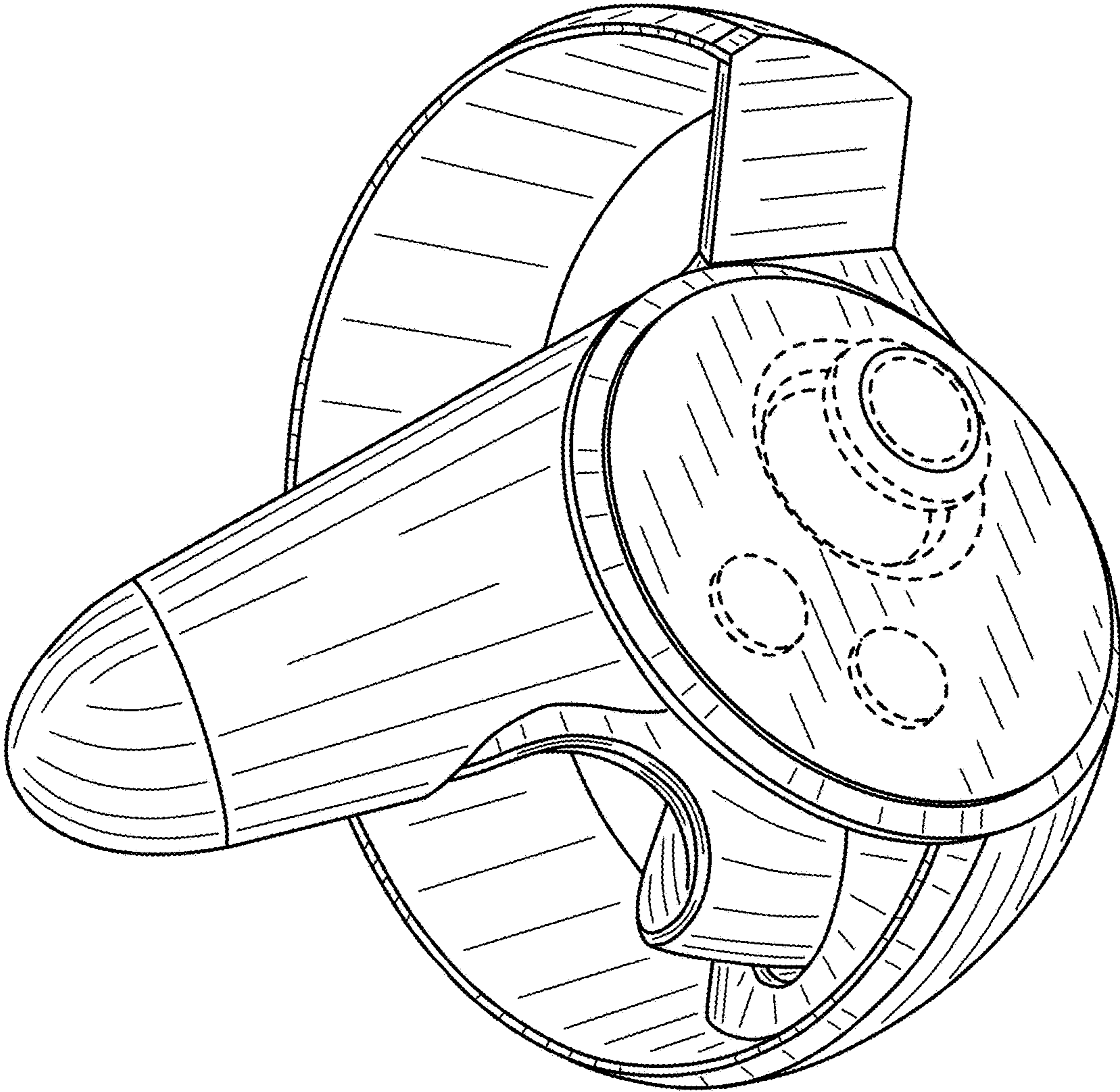


Figure 1

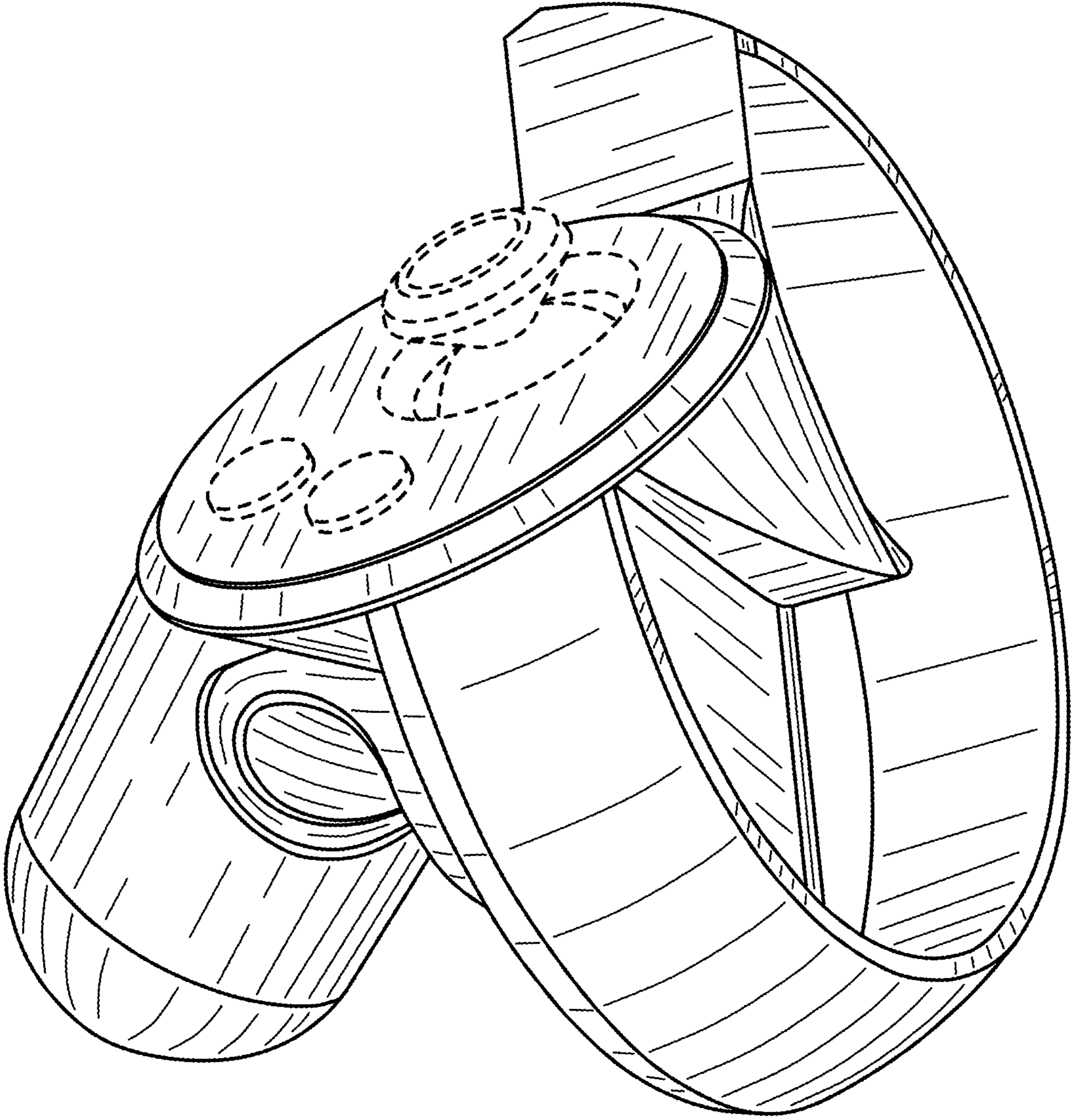


Figure 2

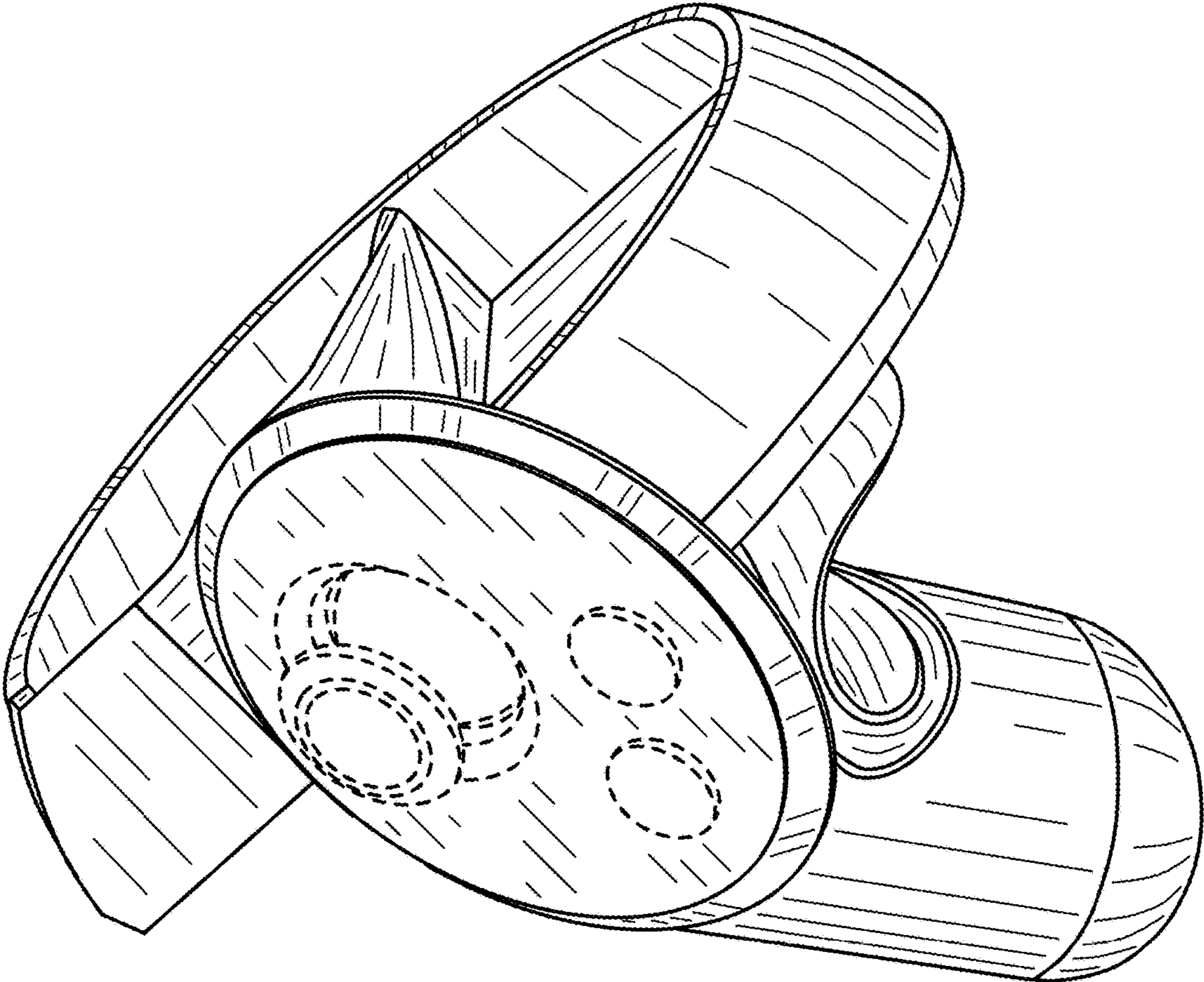


Figure 3

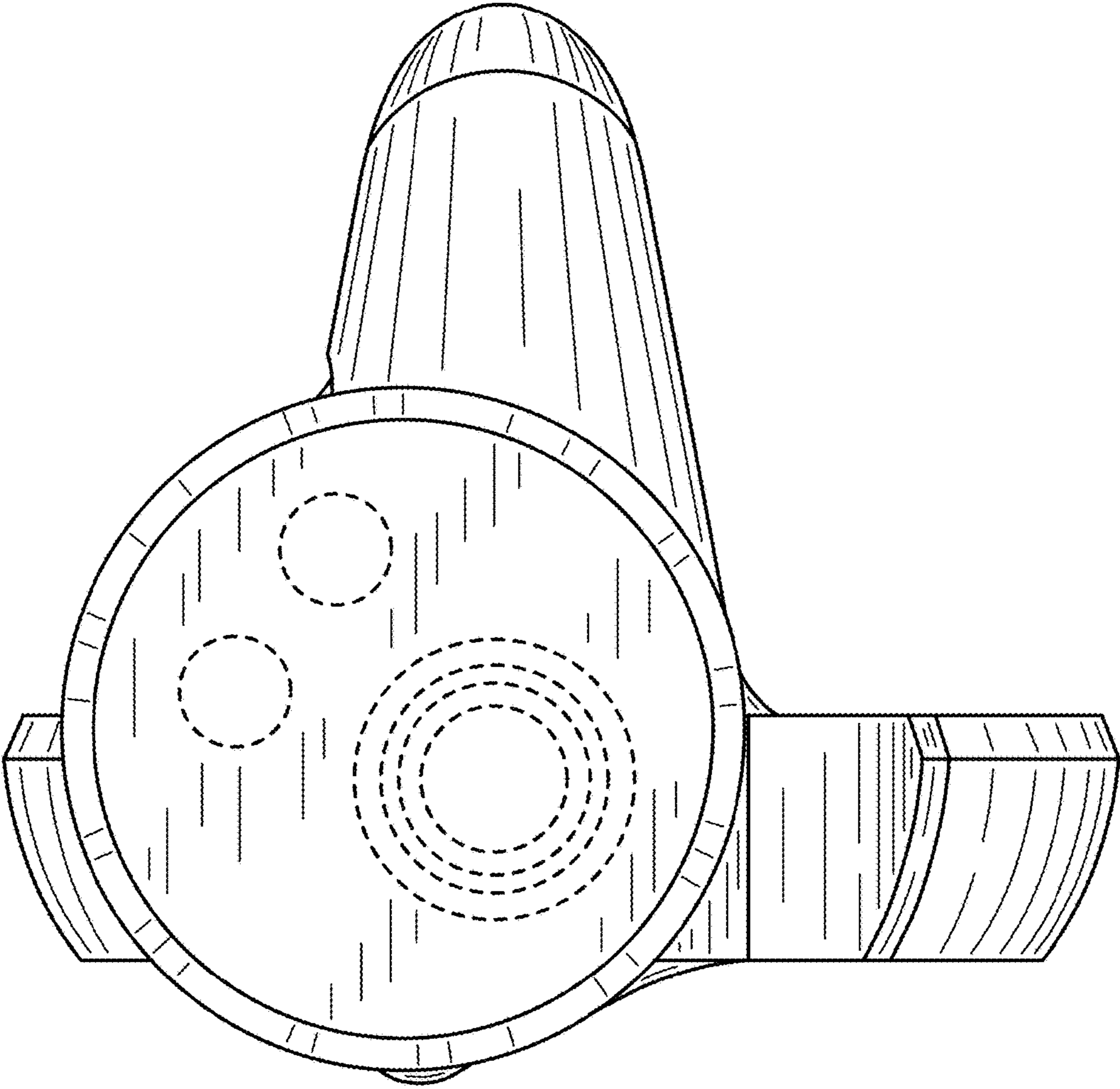


Figure 4

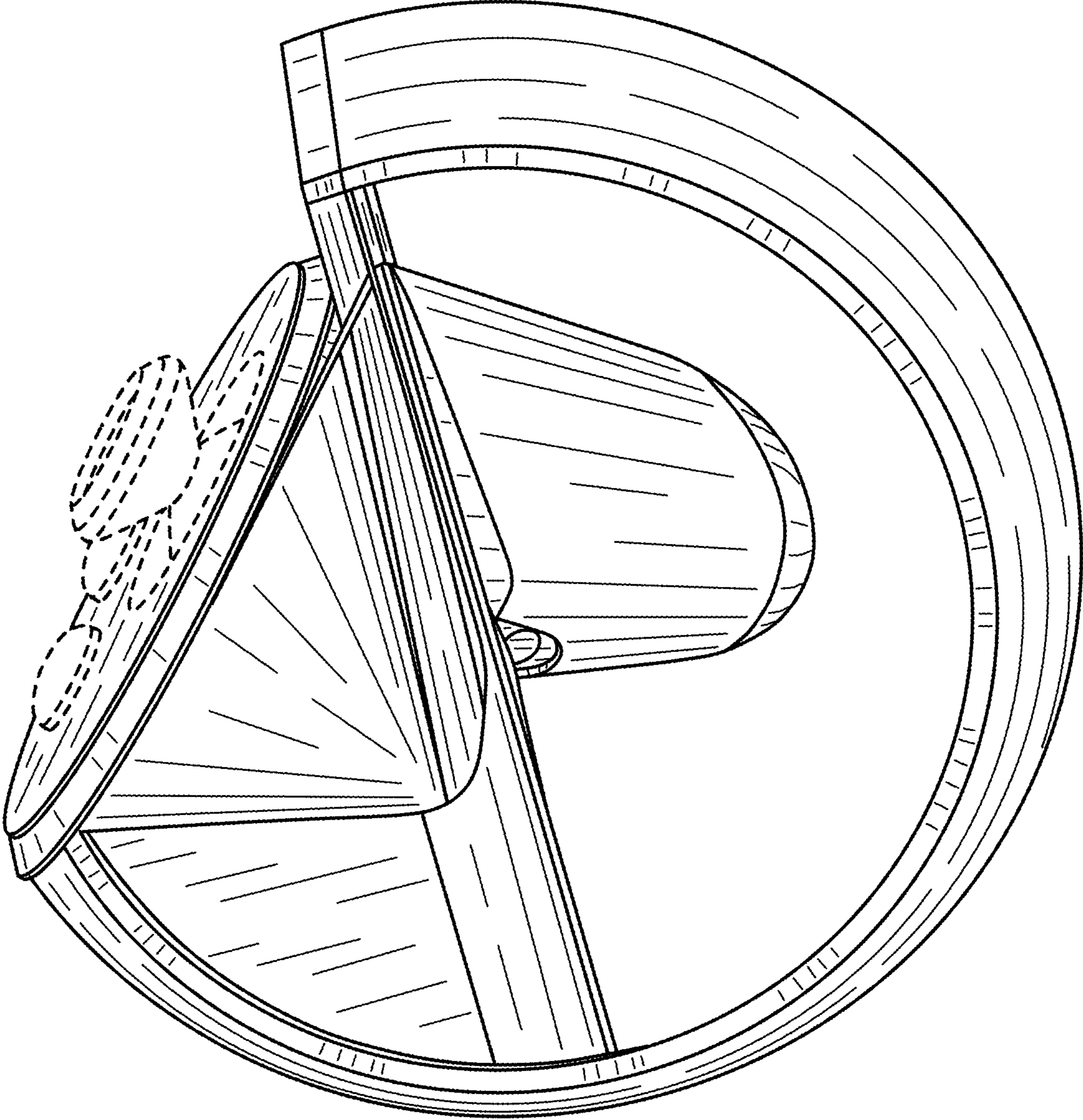


Figure 5

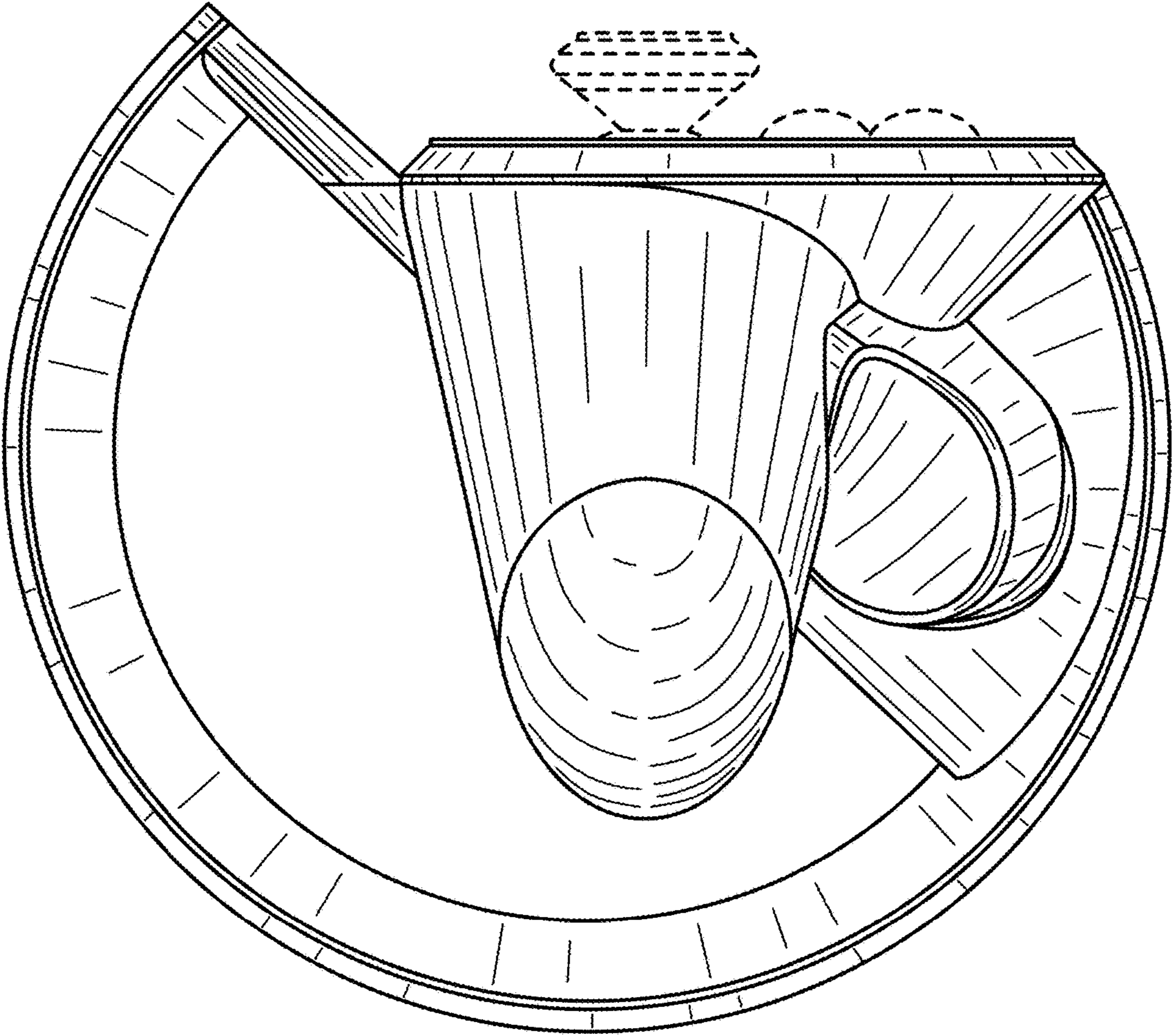


Figure 6



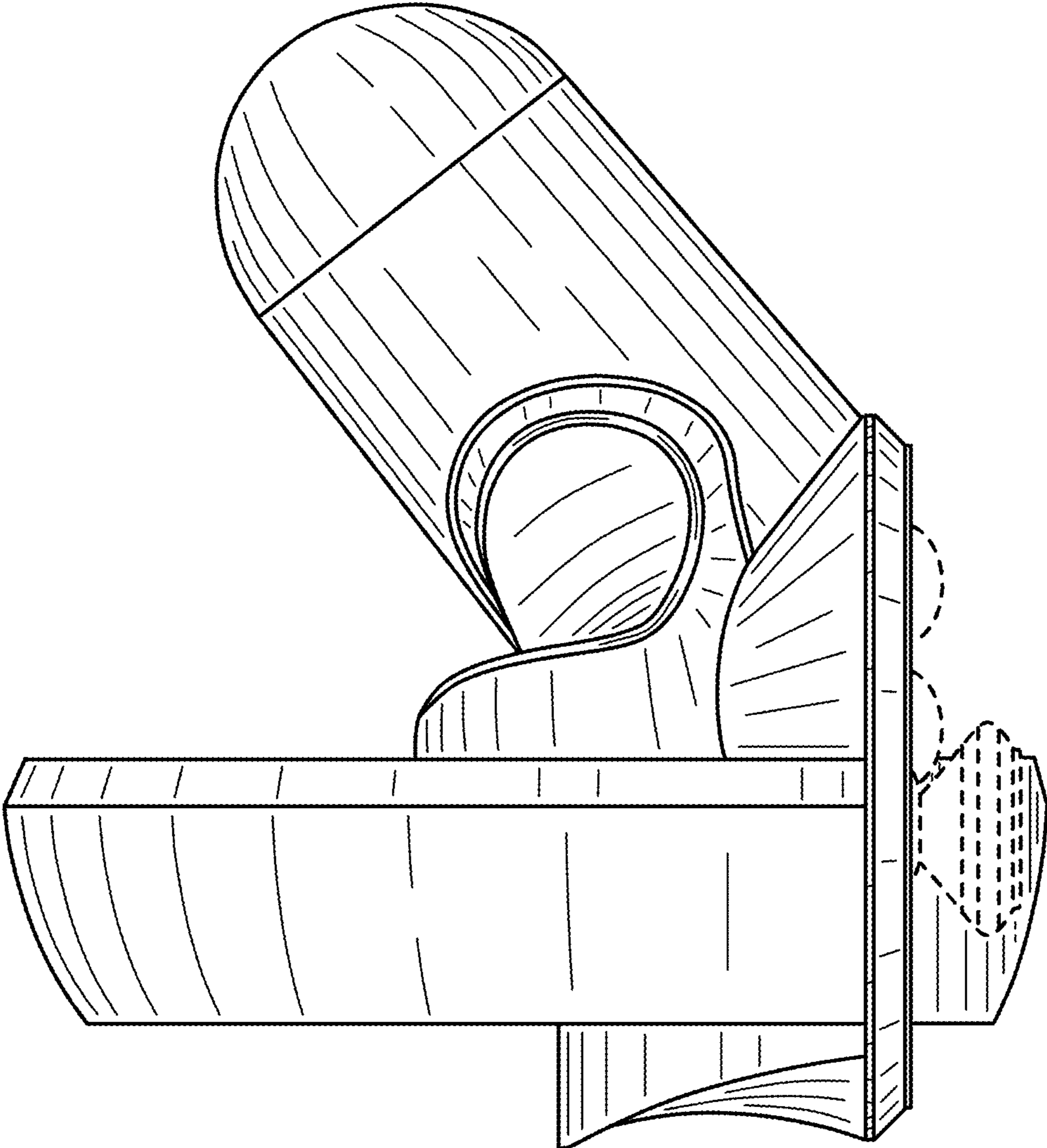


Figure 7

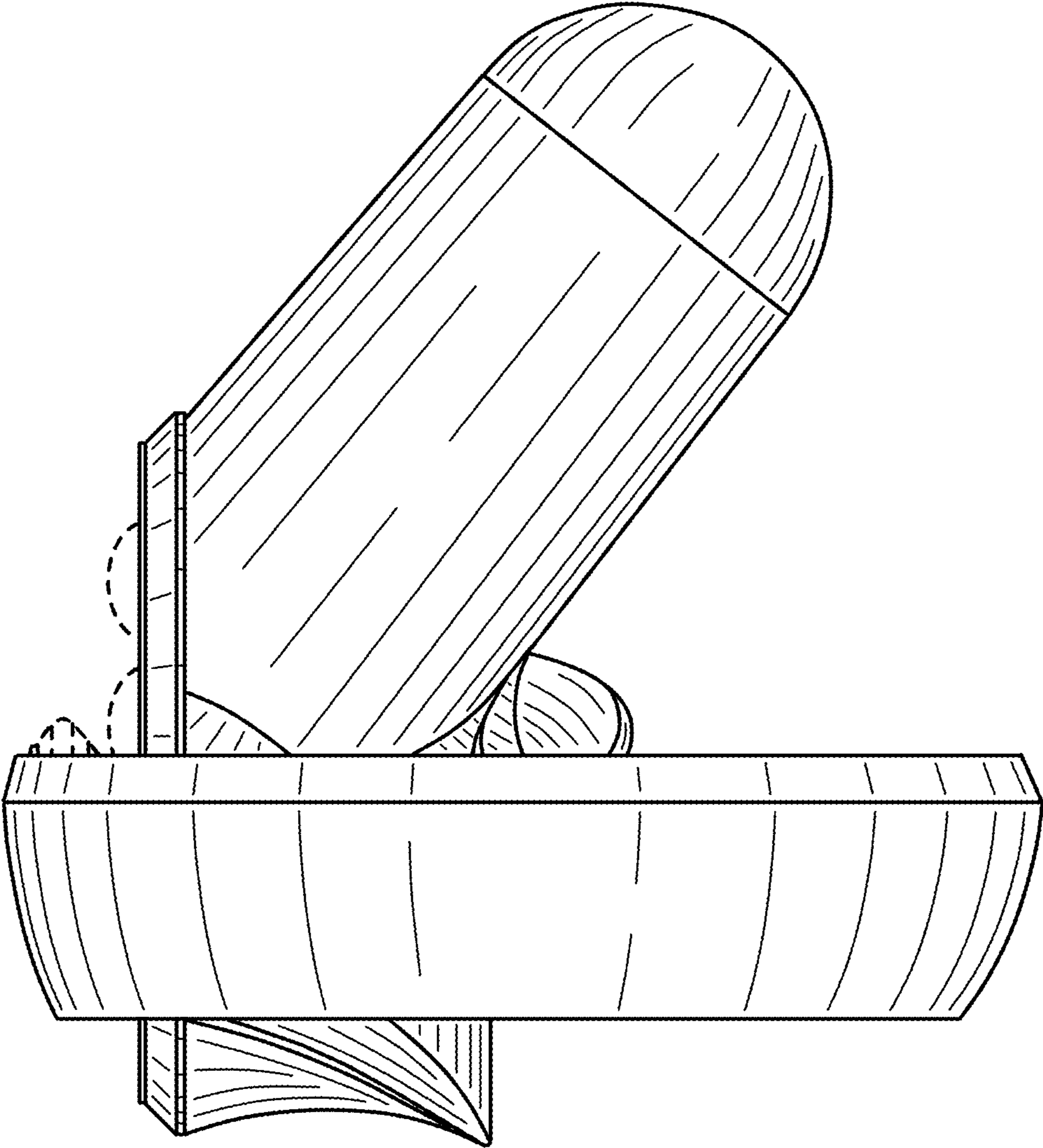


Figure 8

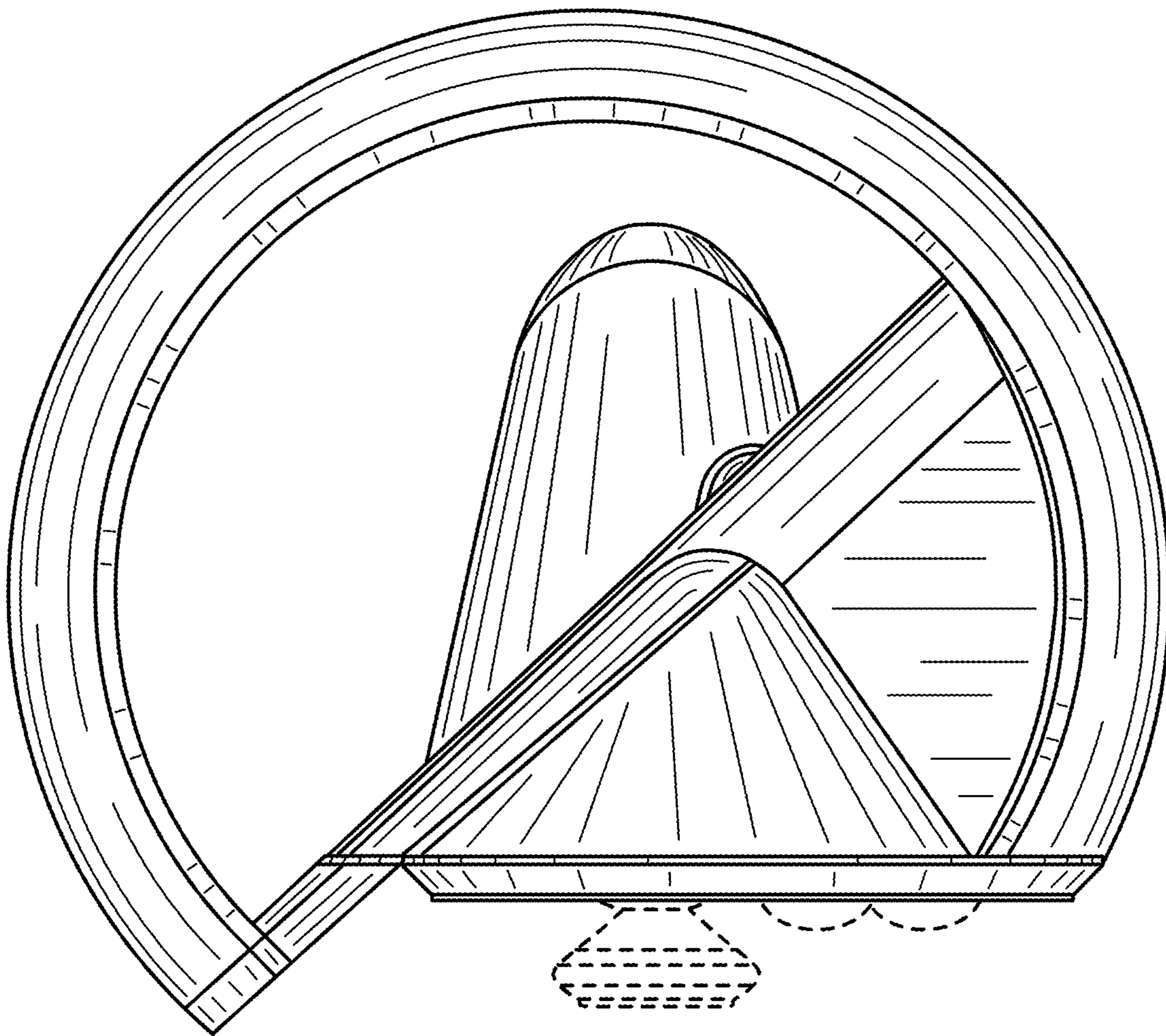


Figure 9

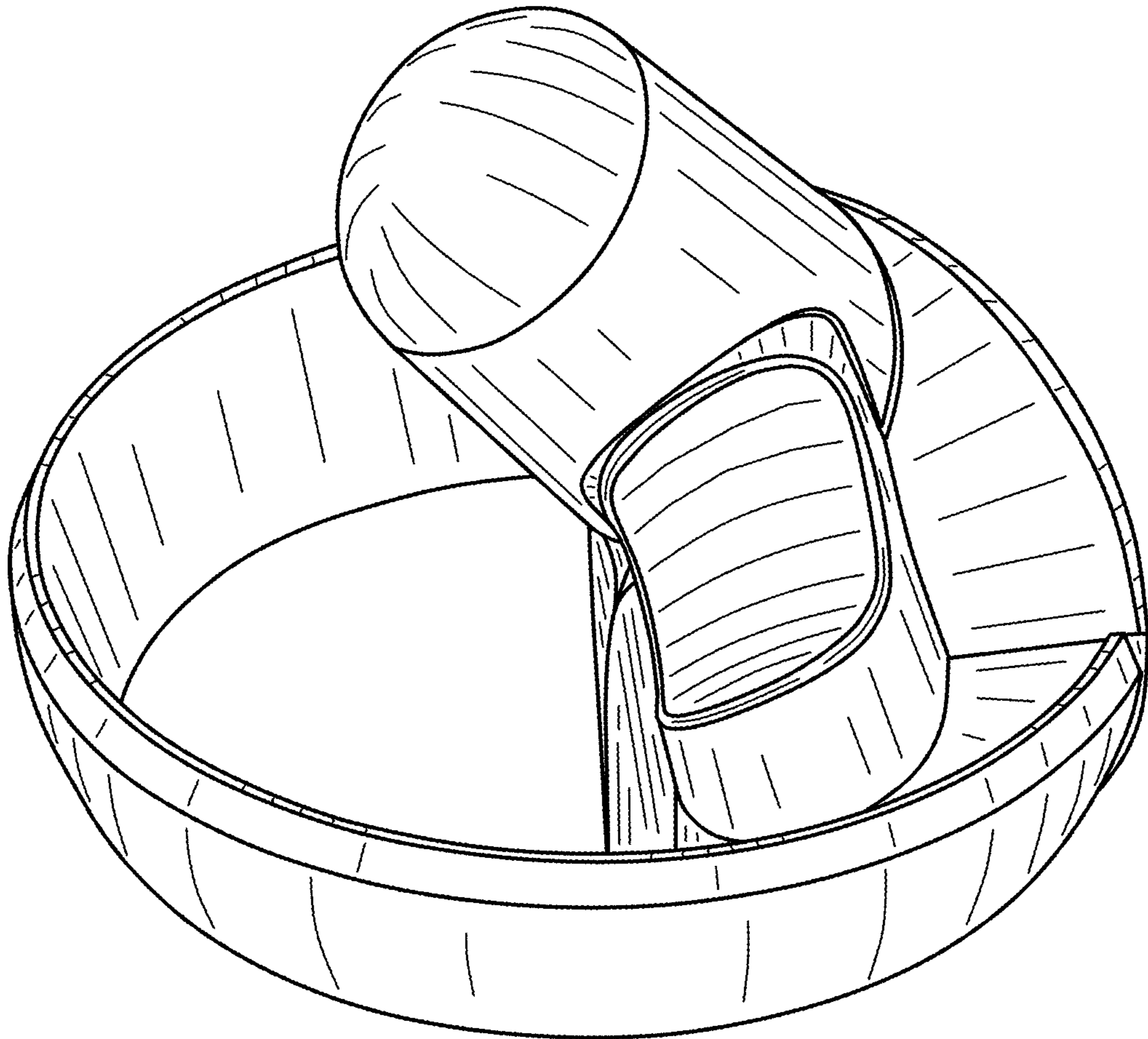


Figure 10

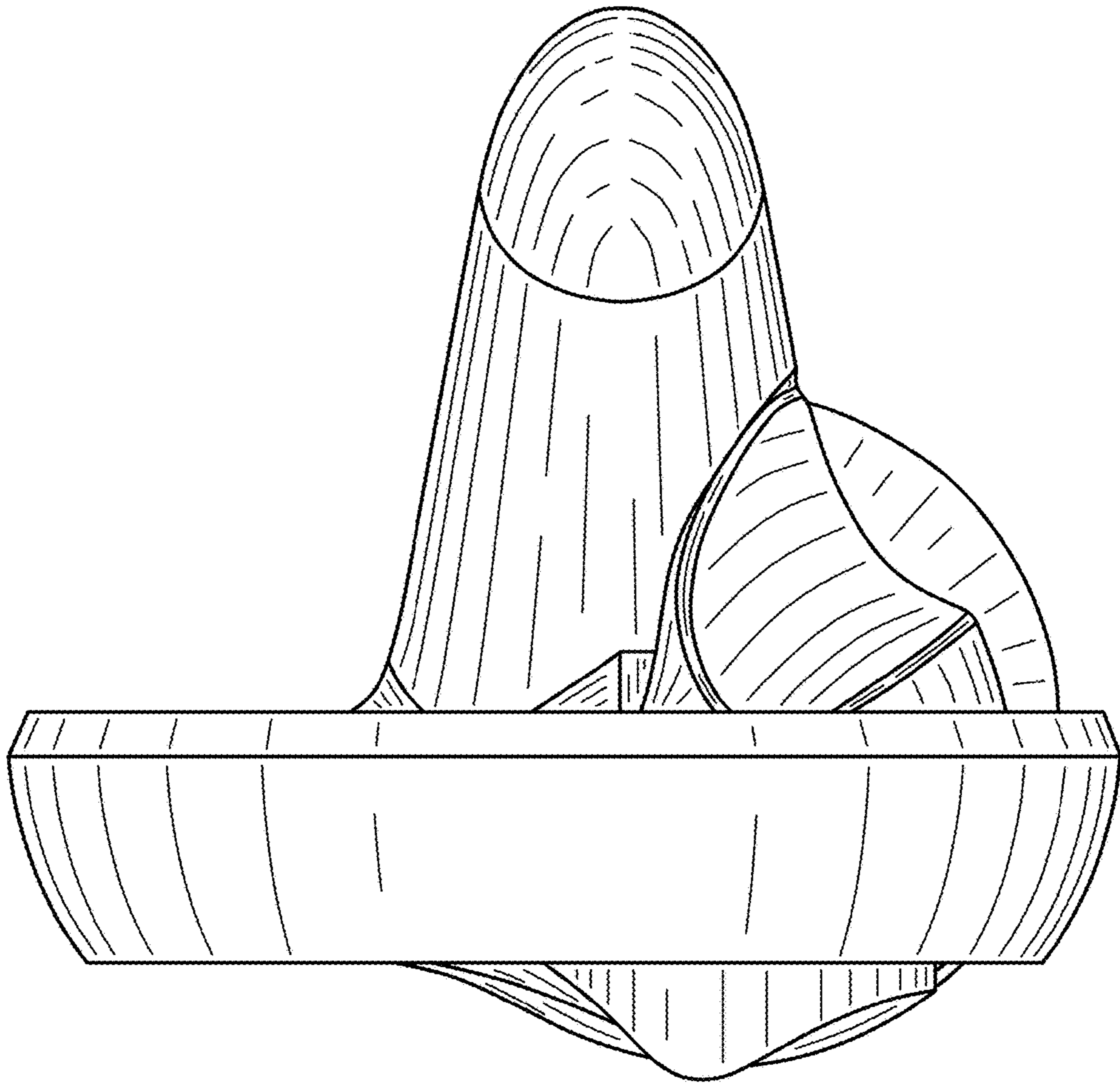


Figure 11