



US00D780766S

(12) **United States Design Patent** (10) **Patent No.:** **US D780,766 S**
Akana et al. (45) **Date of Patent:** **** Mar. 7, 2017**

(54) **STAND AND PORTABLE DISPLAY DEVICE**

(71) Applicant: **Apple Inc.**, Cupertino, CA (US)

(72) Inventors: **Jody Akana**, San Francisco, CA (US); **Bartley K. Andre**, Palo Alto, CA (US); **Jeremy Bataillou**, San Francisco, CA (US); **Daniel J. Coster**, San Francisco, CA (US); **Daniele De Iuliis**, San Francisco, CA (US); **M. Evans Hankey**, San Francisco, CA (US); **Julian Hoenig**, San Francisco, CA (US); **Richard P. Howarth**, San Francisco, CA (US); **Jonathan P. Ive**, San Francisco, CA (US); **Duncan Robert Kerr**, San Francisco, CA (US); **Shin Nishibori**, Kailua, HI (US); **Matthew Dean Rohrbach**, San Francisco, CA (US); **Peter Russell-Clarke**, San Francisco, CA (US); **Christopher J. Stringer**, Woodside, CA (US); **Eugene Antony Whang**, San Francisco, CA (US); **Rico Zörkendörfer**, San Francisco, CA (US)

(73) Assignee: **Apple Inc.**, Cupertino, CA (US)

(**) Term: **14 Years**

(21) Appl. No.: **29/520,567**

(22) Filed: **Mar. 16, 2015**

Related U.S. Application Data

(63) Continuation of application No. 29/440,932, filed on Dec. 28, 2012, now Pat. No. Des. 724,597, which is a

(Continued)

(51) **LOC (10) Cl.** **08-07**

(52) **U.S. Cl.**
USPC **D14/447**

(58) **Field of Classification Search**

USPC D14/447, 432, 434, 439, 440, 451, 452, D14/457, 250, 251, 253; D3/218; D6/406.3, D6/406.4, 406.5, 406.6
(Continued)

(56) **References Cited**

U.S. PATENT DOCUMENTS

D284,084 S 6/1986 Ferrara, Jr.
D295,748 S 5/1988 Day et al.
(Continued)

FOREIGN PATENT DOCUMENTS

BR DI 6800850-3 8/2008

Primary Examiner — Angela J Lee

(74) *Attorney, Agent, or Firm* — Sterne, Kessler, Goldstein & Fox P.L.L.C.

(57) **CLAIM**

The ornamental design for a stand and portable display device, as shown and described.

DESCRIPTION

FIG. 1 is a front perspective view of a stand and portable display device showing the claimed design;

FIG. 2 is a top plan view thereof;

FIG. 3 is a bottom plan view thereof;

FIG. 4 is a front view thereof;

FIG. 5 is a rear view thereof;

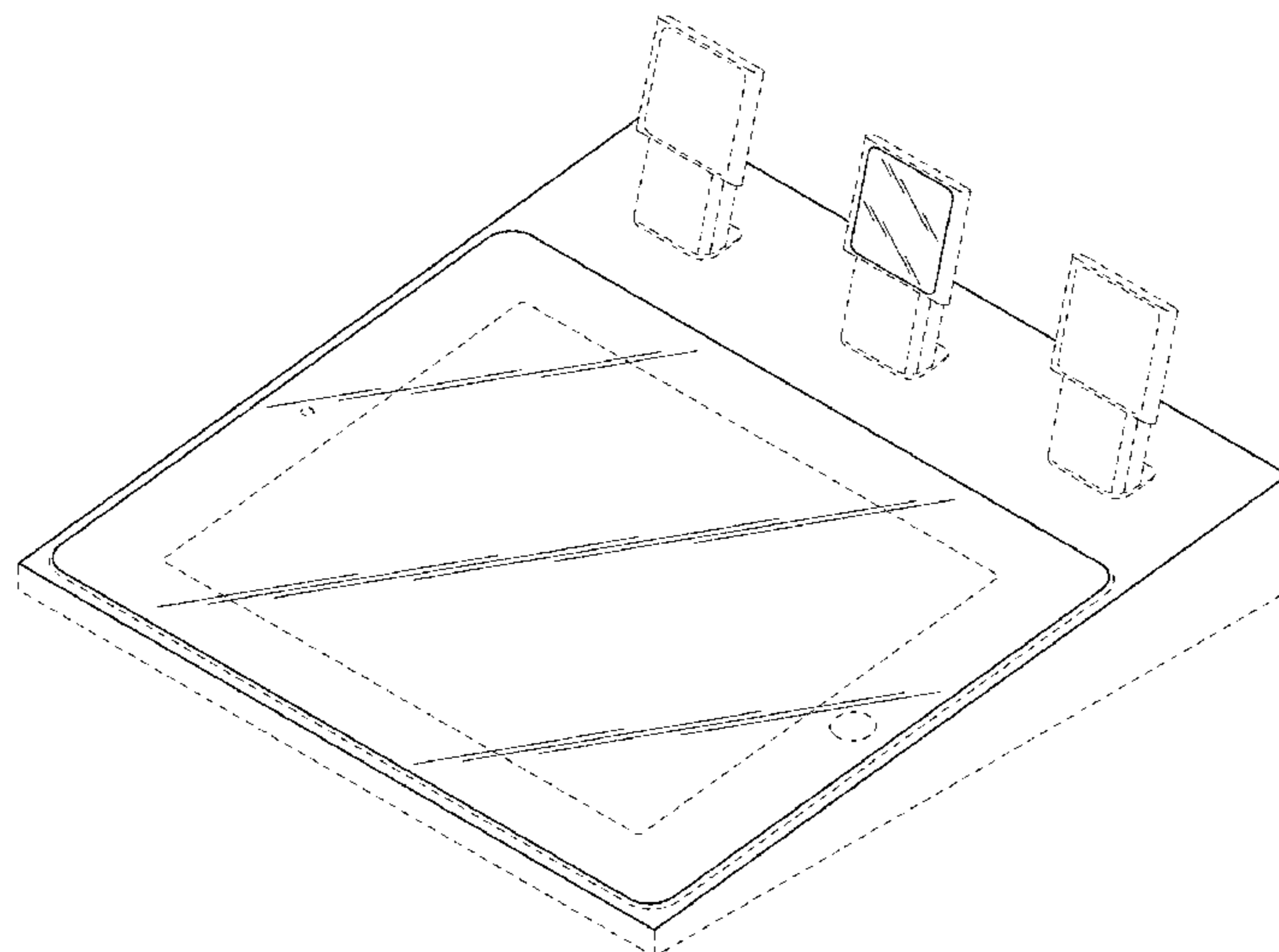
FIG. 6 is a side profile view thereof taken along the vertical center of FIG. 2; and,

FIG. 7 is a side view thereof, the other side view being a mirror image thereof.

The oblique shade lines in the Figures show transparency and not surface ornamentation.

The dashed broken lines in the Figures show portions of the stand and portable display device and other environmental structure that form no part of the claimed design.

1 Claim, 5 Drawing Sheets



Related U.S. Application Data

continuation of application No. 29/392,465, filed on May 20, 2011, now Pat. No. Des. 673,572, which is a continuation-in-part of application No. 29/391,723, filed on May 12, 2011, now Pat. No. Des. 673,571, said application No. 29/440,932 is a continuation-in-part of application No. 29/391,723, filed on May 12, 2011, now Pat. No. Des. 673,571.

(58) **Field of Classification Search**

CPC A45C 2011/003; A45C 2011/002; A45C 13/002; A47B 2023/049; A47B 2097/005; A47B 2097/006; A47B 21/04; A47B 23/00; A47B 23/043; A47B 2021/0307; A47B 2023/005; F16M 2200/00; H04B 1/3888; H04M 1/185; H04M 1/04

See application file for complete search history.

(56)

References Cited

U.S. PATENT DOCUMENTS

| | | | |
|-------------|-----------|--------------------|---------|
| D318,961 S | 8/1991 | Edelson | |
| D337,322 S | 7/1993 | Yang | |
| D338,685 S | 8/1993 | Dakich | |
| D339,537 S | 9/1993 | Willnauer et al. | |
| 5,280,229 A | 1/1994 | Faude et al. | |
| D365,105 S | * 12/1995 | Aubuchon | D14/240 |
| D392,474 S | 3/1998 | Frasketi | |
| D392,958 S | 3/1998 | Gaete | |
| D414,166 S | 9/1999 | De Paris | |
| D442,939 S | 5/2001 | Goldenburg | |
| D450,707 S | 11/2001 | Francavilla et al. | |
| D483,771 S | 12/2003 | Esswein | |
| D488,440 S | 4/2004 | Senda | |
| D502,179 S | 2/2005 | Cha et al. | |
| D527,018 S | 8/2006 | Christianson | |
| D543,183 S | 5/2007 | Cho et al. | |
| D543,209 S | * 5/2007 | Bae | D14/451 |

| | | | |
|------------|-----------|------------------------------|---------|
| D555,655 S | 11/2007 | Iu | |
| D583,821 S | 12/2008 | Richter | |
| D587,703 S | 3/2009 | Yoon | |
| D596,618 S | 7/2009 | Zha | |
| D598,920 S | * 8/2009 | Fujino | D14/447 |
| D599,792 S | 9/2009 | Lin | |
| D618,614 S | 6/2010 | Symons | |
| D621,406 S | * 8/2010 | Hoehn | D14/447 |
| D623,188 S | 9/2010 | Son et al. | |
| D626,129 S | 10/2010 | Lutz | |
| D627,777 S | 11/2010 | Akana et al. | |
| D637,596 S | 5/2011 | Akana et al. | |
| D637,601 S | 5/2011 | Symons | |
| D638,030 S | 5/2011 | Akana et al. | |
| D639,267 S | 6/2011 | DeLorenzo et al. | |
| D642,121 S | 7/2011 | Lee et al. | |
| D642,172 S | 7/2011 | Akana et al. | |
| D643,433 S | 8/2011 | Hsieh et al. | |
| D651,606 S | 1/2012 | Luijben | |
| D661,308 S | 6/2012 | Capozzoli, II | |
| D662,100 S | 6/2012 | Van Den Nieuwenhuizen et al. | |
| D670,692 S | 11/2012 | Akana et al. | |
| D673,571 S | 1/2013 | Akana et al. | |
| D673,572 S | 1/2013 | Akana et al. | |
| D676,448 S | * 2/2013 | Gorman | D14/440 |
| D687,441 S | 8/2013 | Janzen | |
| D688,671 S | 8/2013 | Avganim | |
| D690,137 S | 9/2013 | Kikkert et al. | |
| D690,138 S | 9/2013 | Kikkert et al. | |
| D692,008 S | * 10/2013 | Feldstein | D14/447 |
| D692,420 S | 10/2013 | McManigal et al. | |
| D692,437 S | * 10/2013 | Sugino | D14/447 |
| D701,213 S | * 3/2014 | Pajic | D14/447 |
| D708,270 S | 7/2014 | Heirakuji et al. | |
| D721,710 S | * 1/2015 | Messing | D14/447 |
| D722,061 S | * 2/2015 | Byrne | D14/447 |
| D723,572 S | 3/2015 | Akana et al. | |
| D724,597 S | 3/2015 | Akana et al. | |
| D737,829 S | * 9/2015 | Lee | D14/447 |
| D747,322 S | * 1/2016 | Li | D14/447 |
| D752,596 S | * 3/2016 | Choi | D14/447 |

* cited by examiner

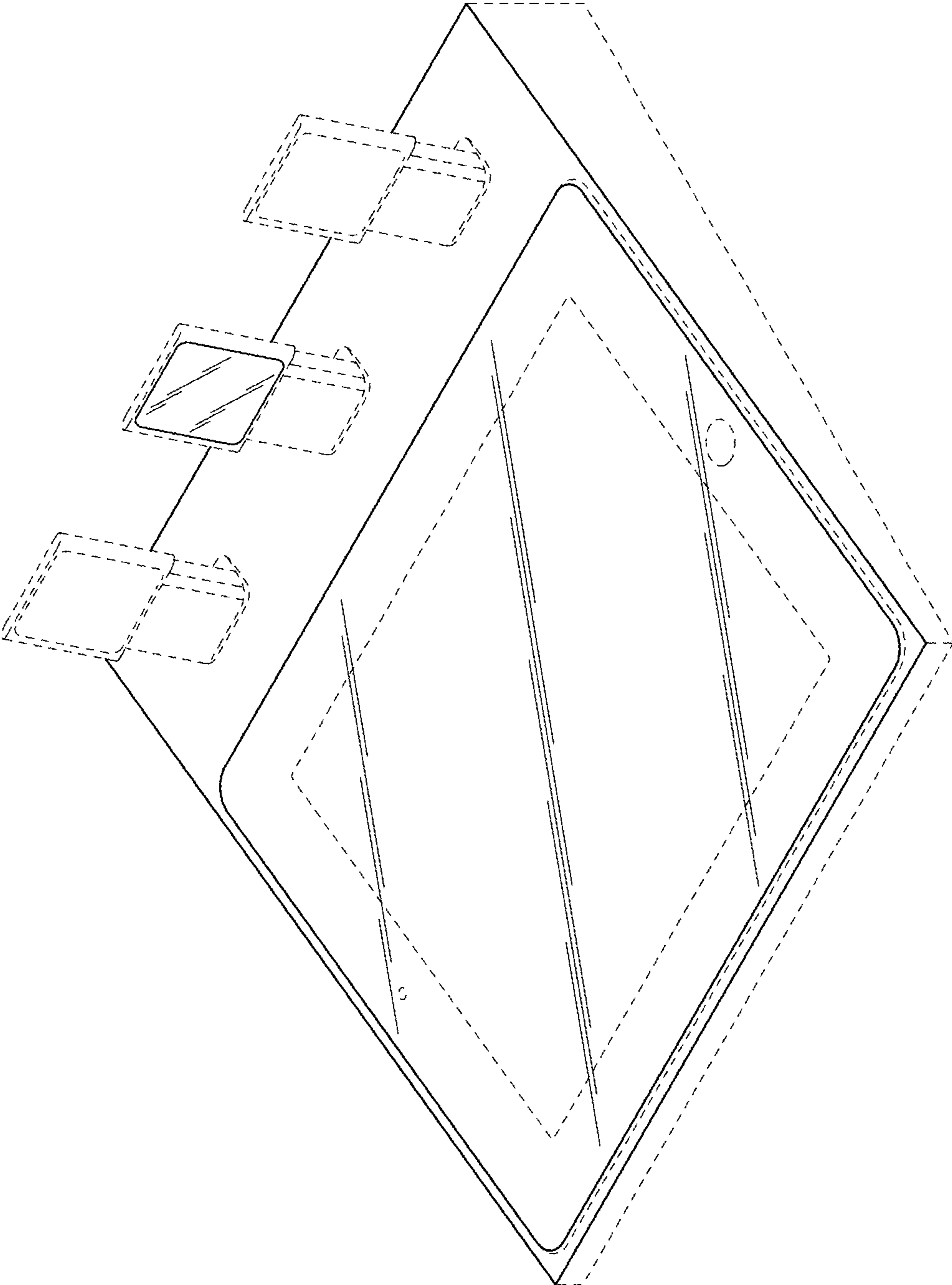


FIG. 1

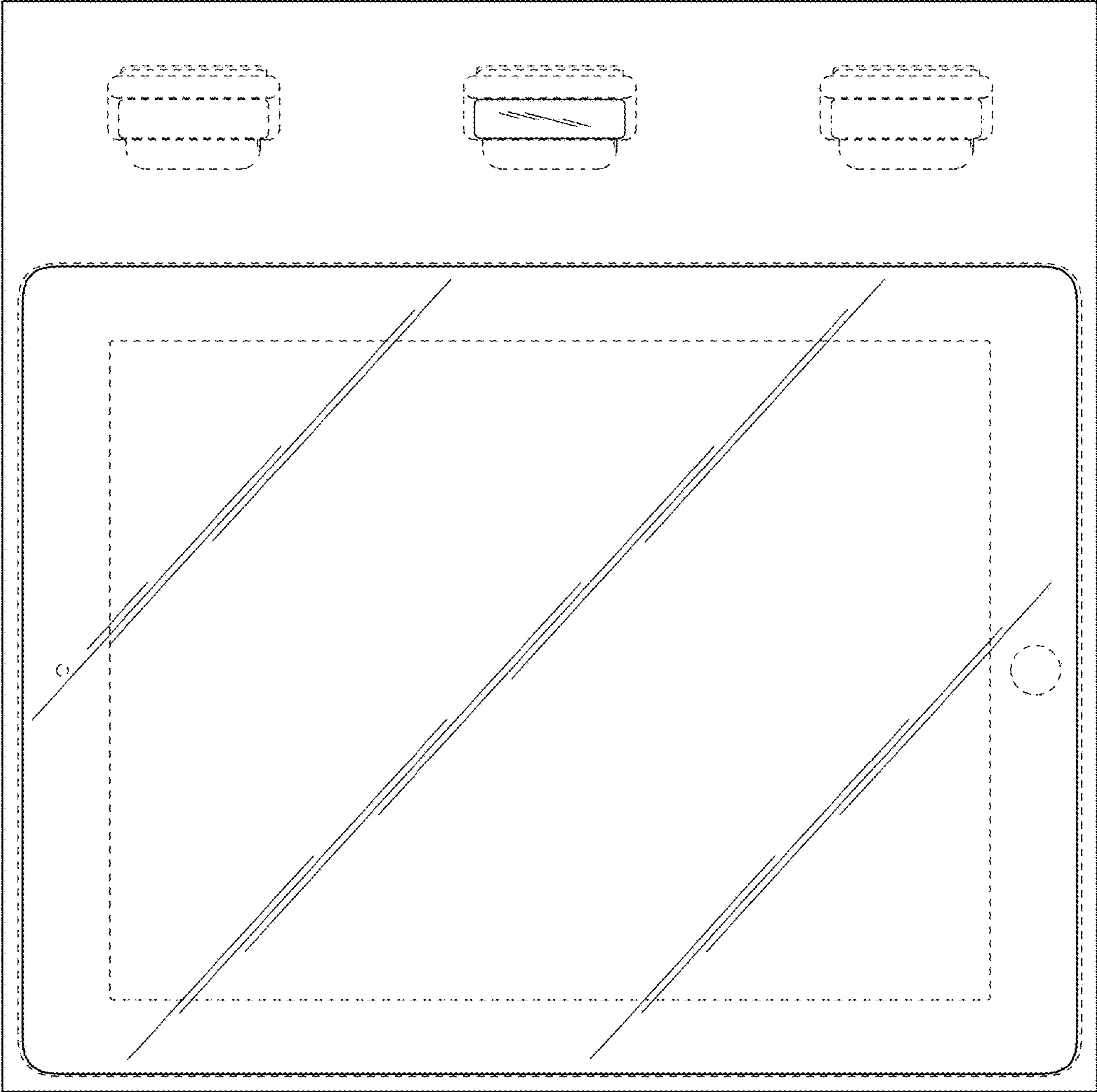


FIG. 2

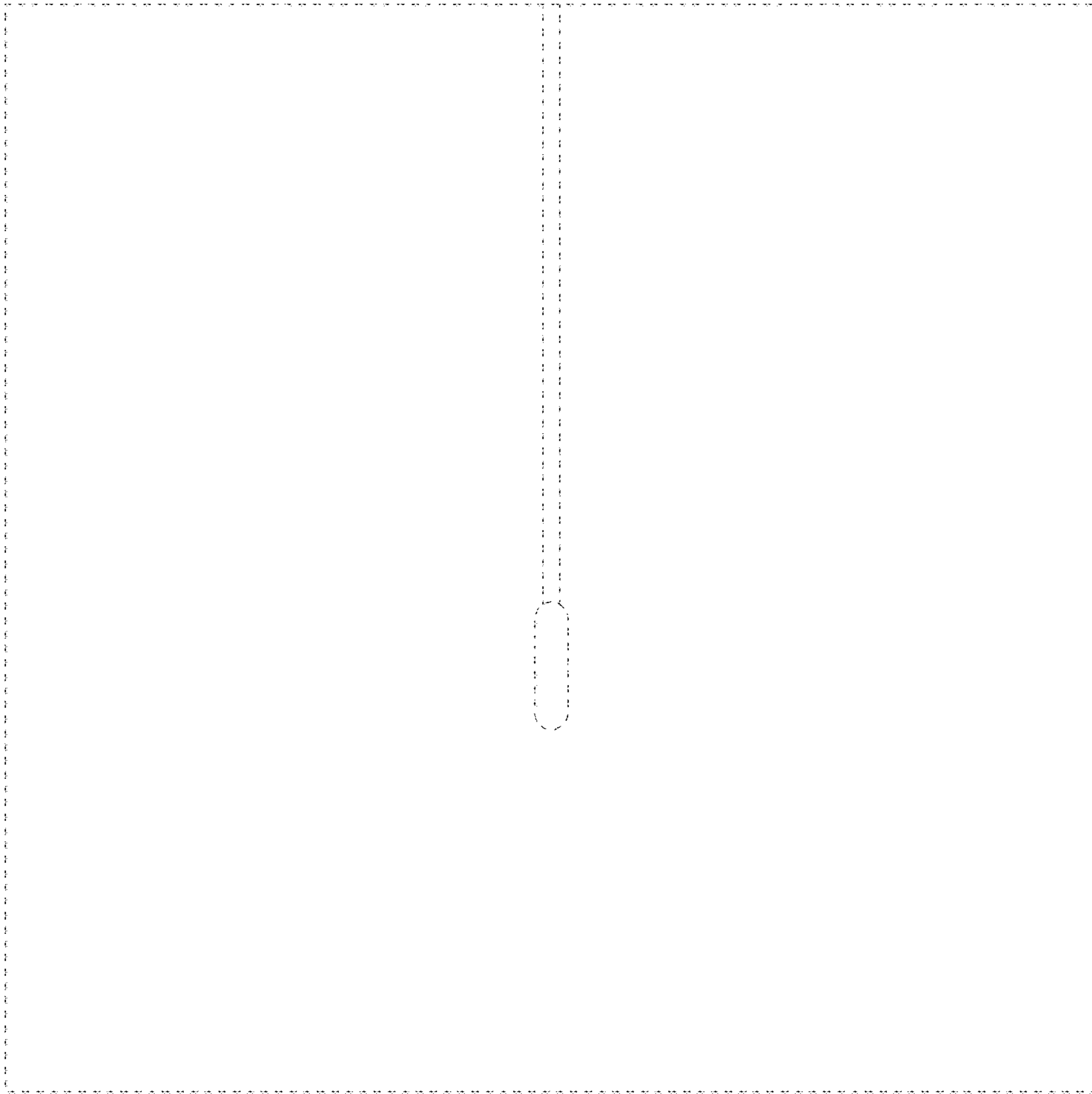


FIG. 3

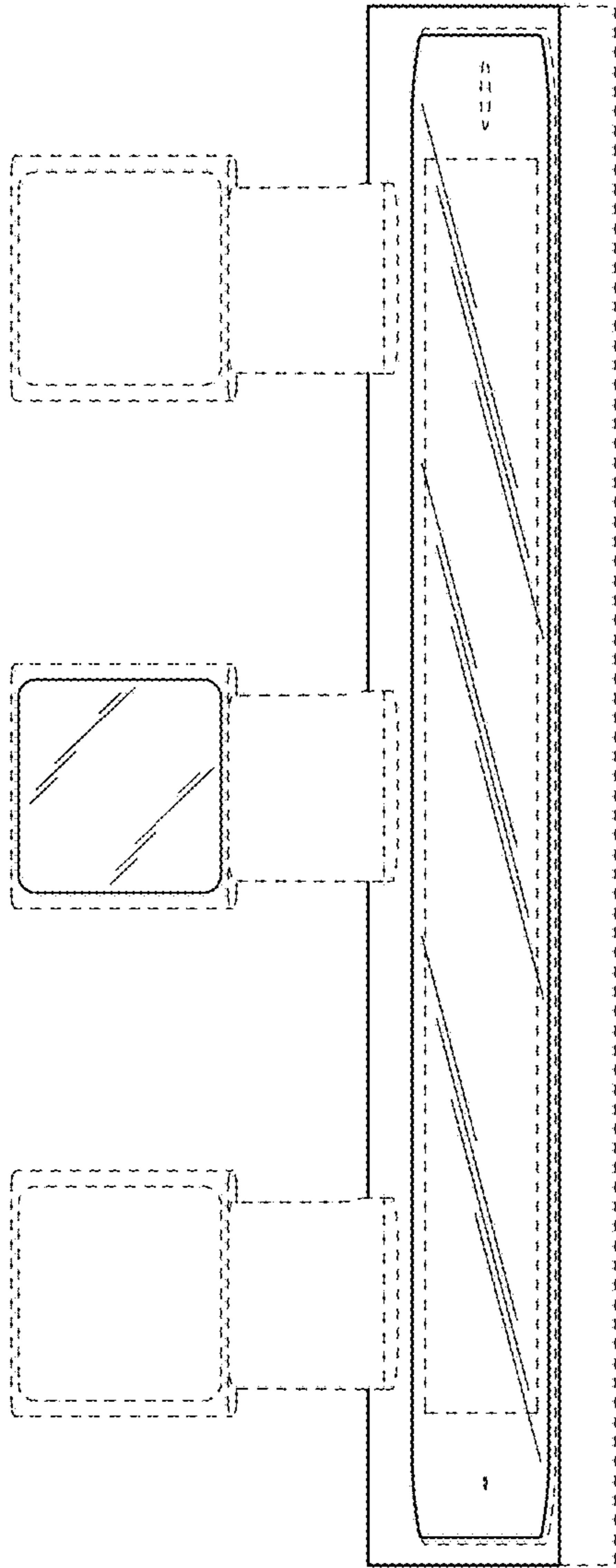


FIG. 4

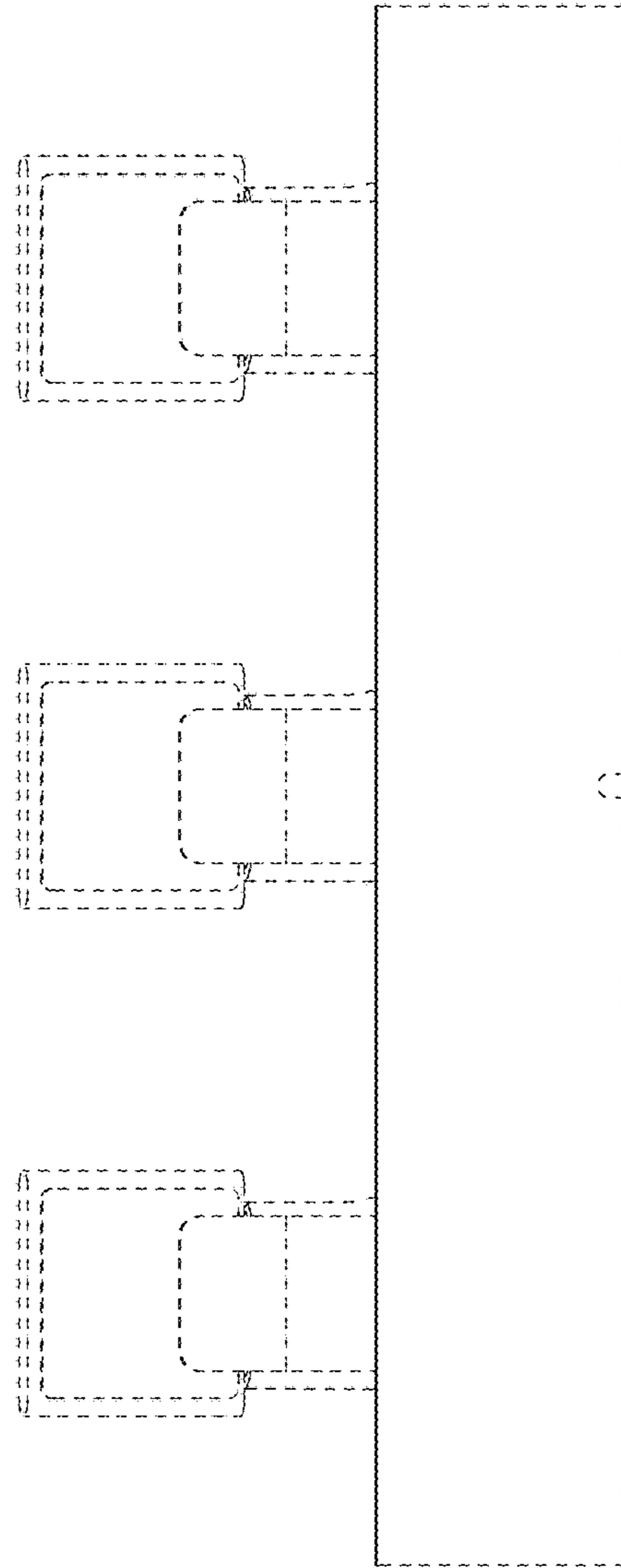


FIG. 5



FIG. 6

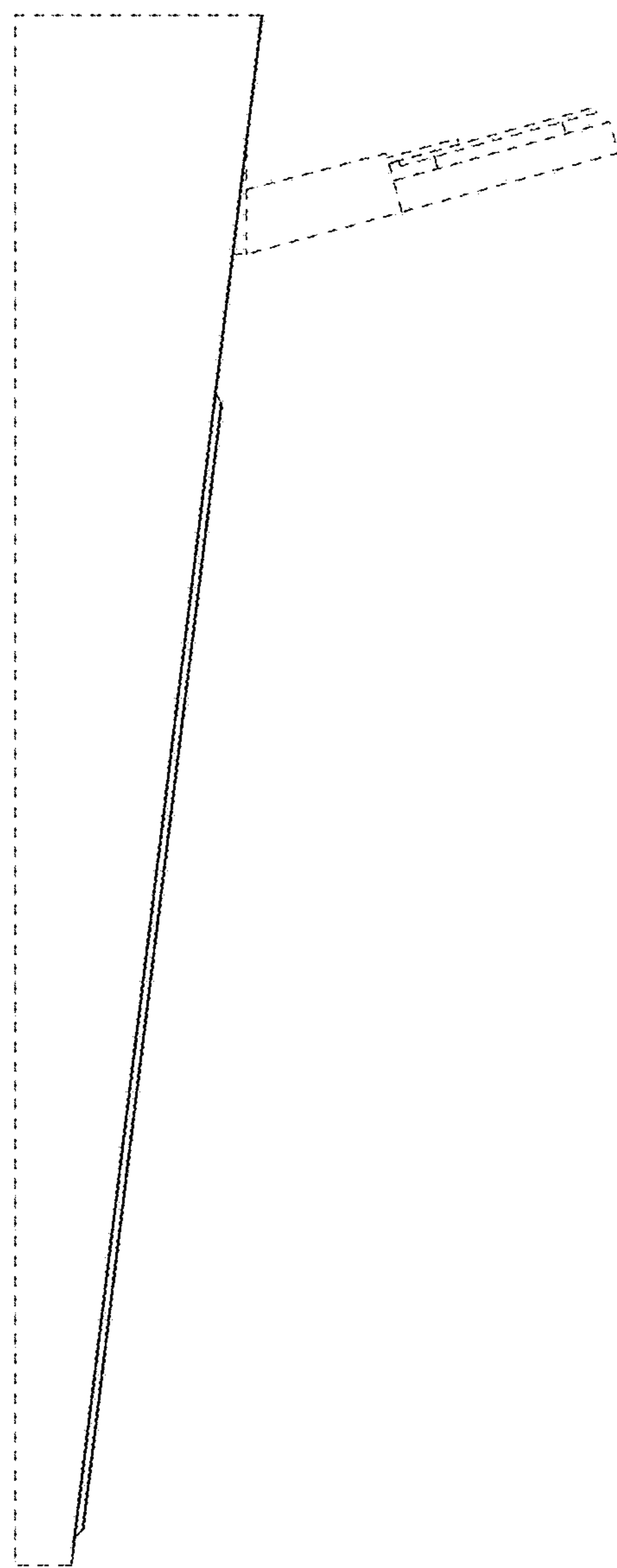


FIG. 7