



US00D780764S

(12) **United States Design Patent** (10) **Patent No.:** **US D780,764 S**
Tur (45) **Date of Patent:** **** Mar. 7, 2017**

(54) **TEACH PENDANT BUMPER**
(71) Applicant: **ROBOWORLD MOLDED PRODUCTS, LLC**, West Chester, OH (US)

D678,262 S 3/2013 Prato
D681,483 S 5/2013 Biegert et al.
D688,582 S 8/2013 Wilson
D688,967 S 9/2013 Wilson
8,523,124 B2 9/2013 Yuan et al.
D693,709 S 11/2013 Lee et al.
D703,649 S 4/2014 Wikel et al.

(72) Inventor: **Christian A. Tur**, West Chester, OH (US)

(Continued)

(73) Assignee: **ROBOWORLD MOLDED PRODUCTS, LLC**, West Chester, OH (US)

OTHER PUBLICATIONS

Underwood, Cynthia R.; U.S. Notice of Allowance and Fees Due for Design U.S. Appl. No. 29/542,840; date mailed Nov. 16, 2016; U.S. Patent and Trademark Office; Alexandria, VA.

(**) Term: **15 Years**

(Continued)

(21) Appl. No.: **29/559,517**

Primary Examiner — Cynthia Underwood

(22) Filed: **Mar. 29, 2016**

(74) *Attorney, Agent, or Firm* — Thomas E. Lees, LLC

(51) **LOC (10) Cl.** **14-02**

(52) **U.S. Cl.**

(57) **CLAIM**

USPC **D14/440**

The ornamental design for a teach pendant bumper, as shown and described.

(58) **Field of Classification Search**

DESCRIPTION

USPC ... D14/250, 440, 447; 206/45.23, 320, 45.2, 206/316.2; 361/679.55; 294/25; 224/218
CPC G06F 1/1628; G06F 1/1613; G06F 1/1626; A47B 23/044
See application file for complete search history.

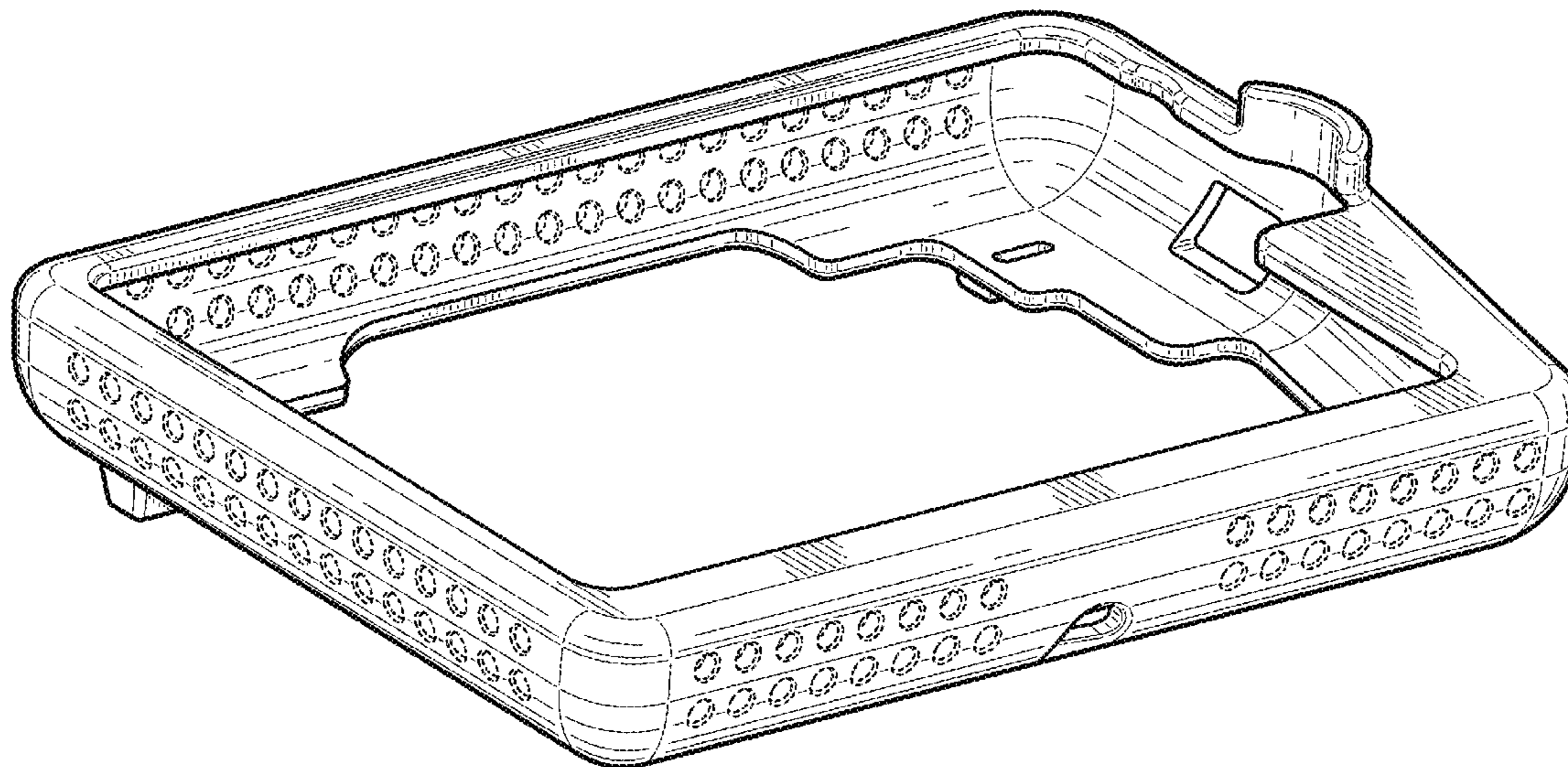
FIG. 1 is a perspective view of a teach pendant bumper; FIG. 2 is a left side elevational view of the teach pendant bumper; FIG. 3 is a right side elevational view of the teach pendant bumper; FIG. 4 is a rear side elevational view of the teach pendant bumper; FIG. 5 is a front side elevational view of the teach pendant bumper; FIG. 6 is a top plan view of the teach pendant bumper; and, FIG. 7 is a bottom plan view of the teach pendant bumper. The broken lines represent portions of the structure that form no part of the claim.

(56) **References Cited**

U.S. PATENT DOCUMENTS

D413,582 S * 9/1999 Tompkins D14/344
D480,720 S * 10/2003 Sjoberg D14/341
D531,524 S 11/2006 Behling
D638,324 S 5/2011 Tang
D643,433 S * 8/2011 Hsieh D14/440
D647,107 S 10/2011 Akana et al.
D656,135 S 3/2012 Swartz et al.
8,256,612 B1 9/2012 Wang
D671,930 S 12/2012 Akana et al.
D674,789 S 1/2013 Wen

1 Claim, 5 Drawing Sheets



(56)

References Cited

U.S. PATENT DOCUMENTS

D711,866 S * 8/2014 Kawata D14/250
 D714,295 S 9/2014 Fujioka
 D716,312 S 10/2014 Fujioka
 D723,016 S 2/2015 Lee et al.
 D728,549 S 5/2015 Su et al.
 D730,225 S 5/2015 Behar
 D735,198 S 7/2015 Song
 D735,199 S 7/2015 Song
 D735,200 S 7/2015 Song
 D735,586 S 8/2015 Stegmann
 D735,724 S 8/2015 Song
 D736,103 S 8/2015 Behling
 D751,558 S 3/2016 Lee
 D752,044 S 3/2016 Akana et al.
 D754,133 S 4/2016 Chen et al.
 D756,344 S * 5/2016 Roberts D14/250
 D761,263 S 7/2016 Brinkman et al.
 D762,201 S * 7/2016 Tseng D14/250
 D762,202 S * 7/2016 Tseng D14/250
 D762,203 S * 7/2016 Chin D14/250
 D766,904 S * 9/2016 Jung D14/440

D766,905 S * 9/2016 Lee D14/440
 D766,906 S * 9/2016 Kim D14/440
 D767,573 S * 9/2016 Kim D14/440
 D768,122 S * 10/2016 Buffone D14/250
 D769,879 S 10/2016 Kim
 2010/0061191 A1 3/2010 Chen
 2011/0297578 A1 12/2011 Stiehl et al.
 2012/0043236 A1 2/2012 Szucs et al.
 2012/0182678 A1 7/2012 Wu et al.
 2012/0257340 A1 10/2012 Kim
 2013/0148271 A1 * 6/2013 Huang H04B 1/3888
 361/679.01
 2013/0210503 A1 * 8/2013 Keesling H04M 1/0279
 455/575.1
 2013/0222139 A1 8/2013 Gouge et al.

OTHER PUBLICATIONS

Underwood, Cynthia R.; U.S. Notice of Allowance and Fees Due for Design U.S. Appl. No. 29/545,118; date mailed Nov. 16, 2016; U.S. Patent and Trademark Office; Alexandria, VA.

* cited by examiner

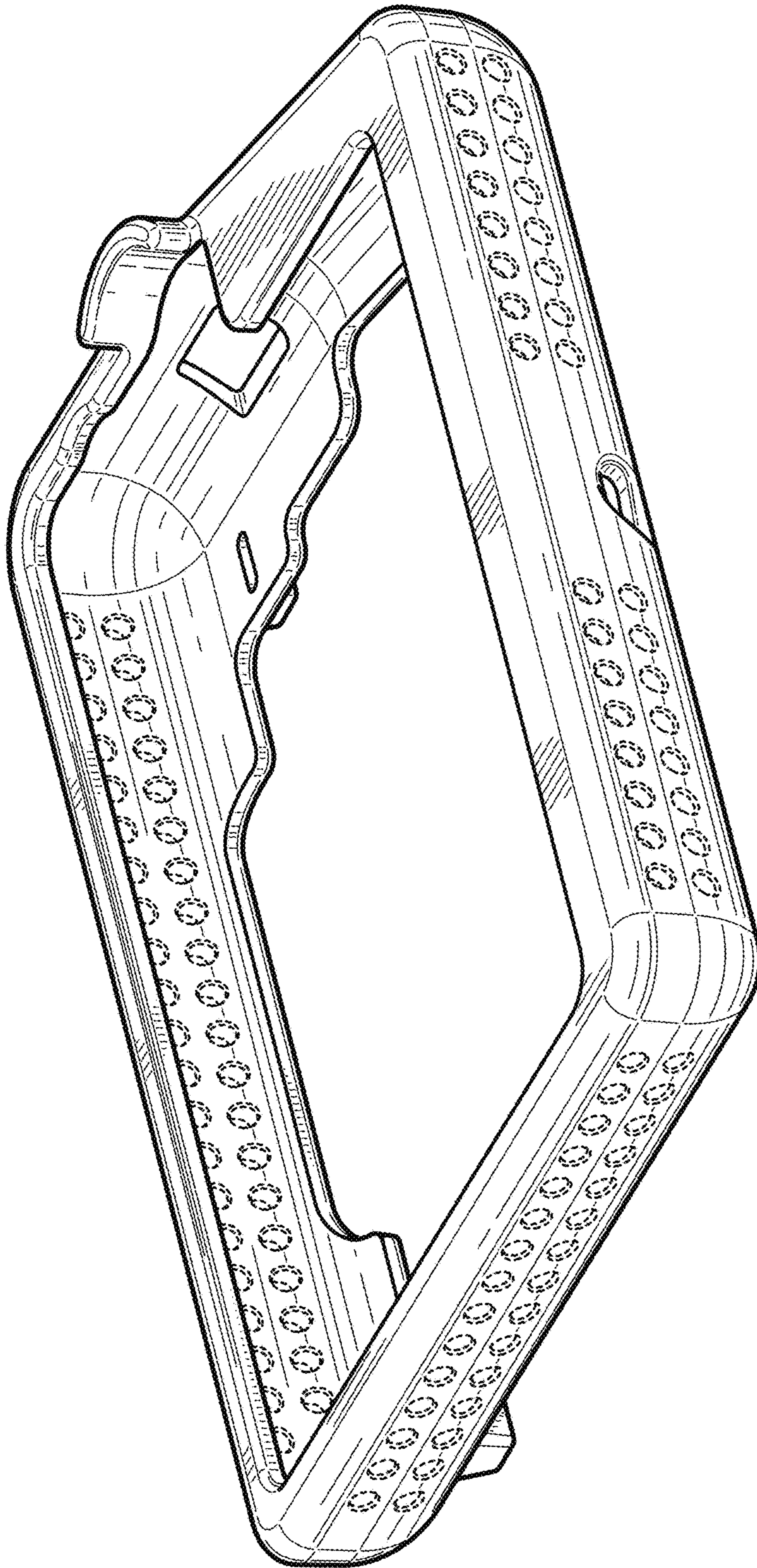


FIG. 1

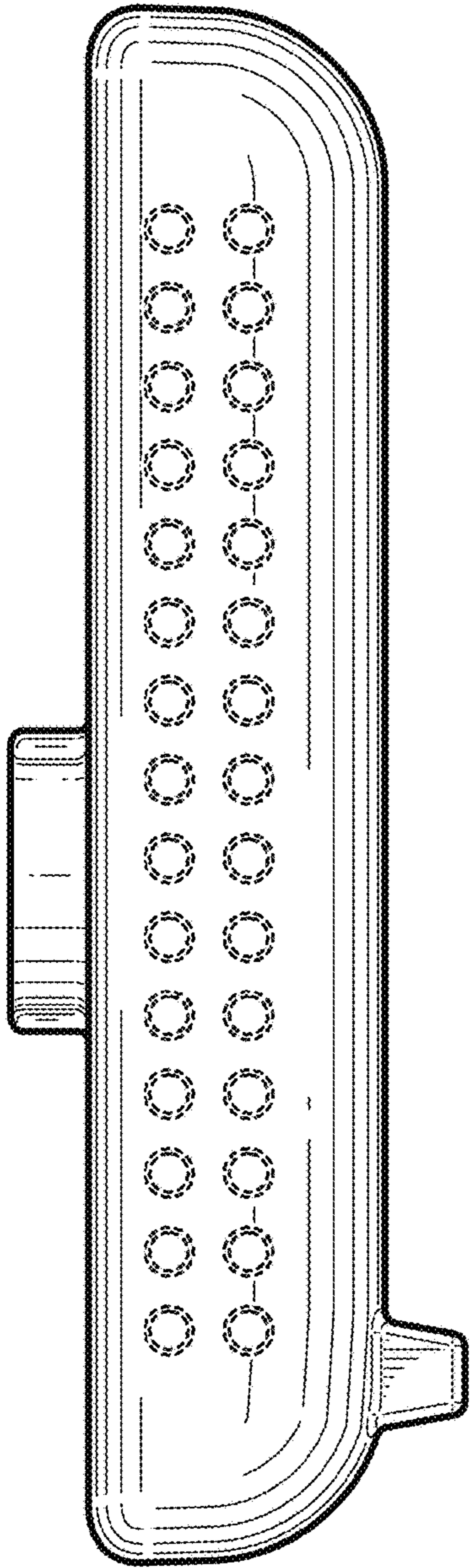


FIG. 2

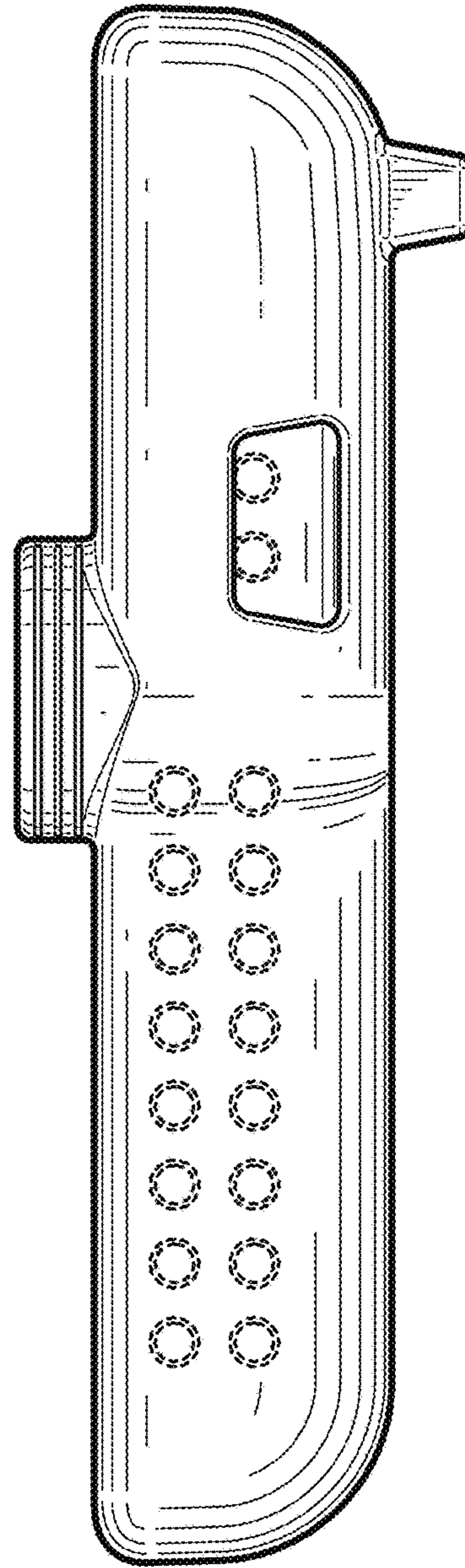


FIG. 3

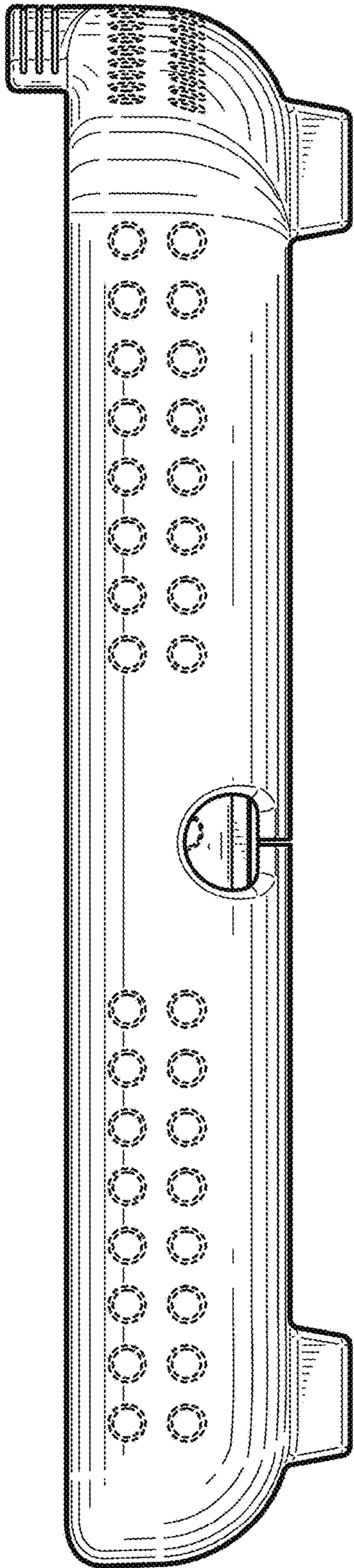


FIG. 4

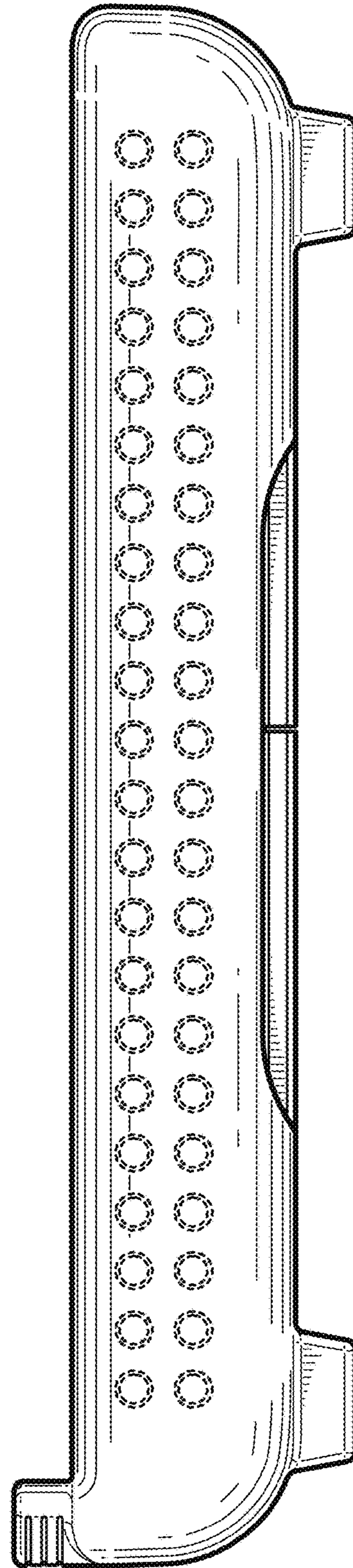


FIG. 5

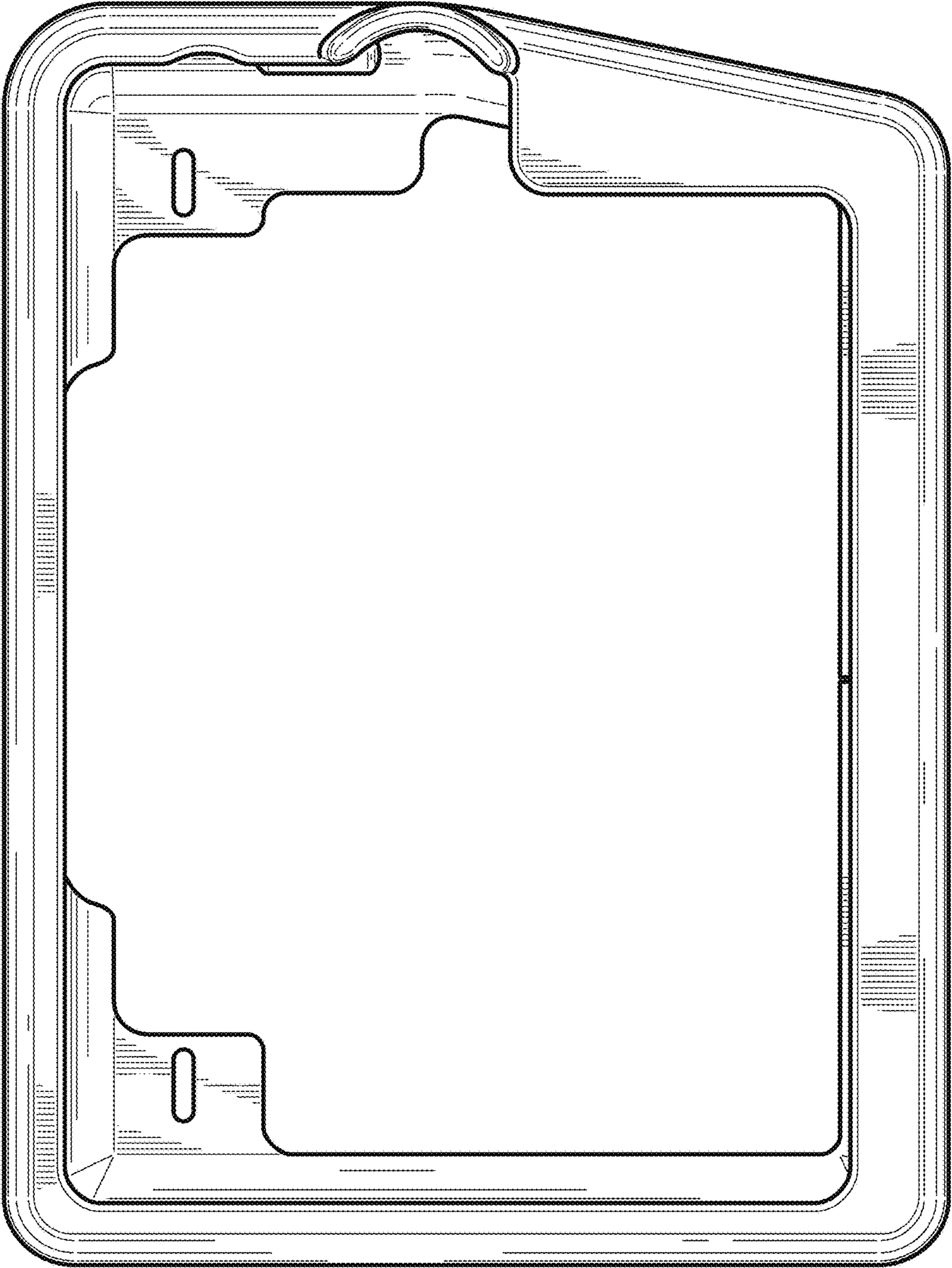


FIG. 6

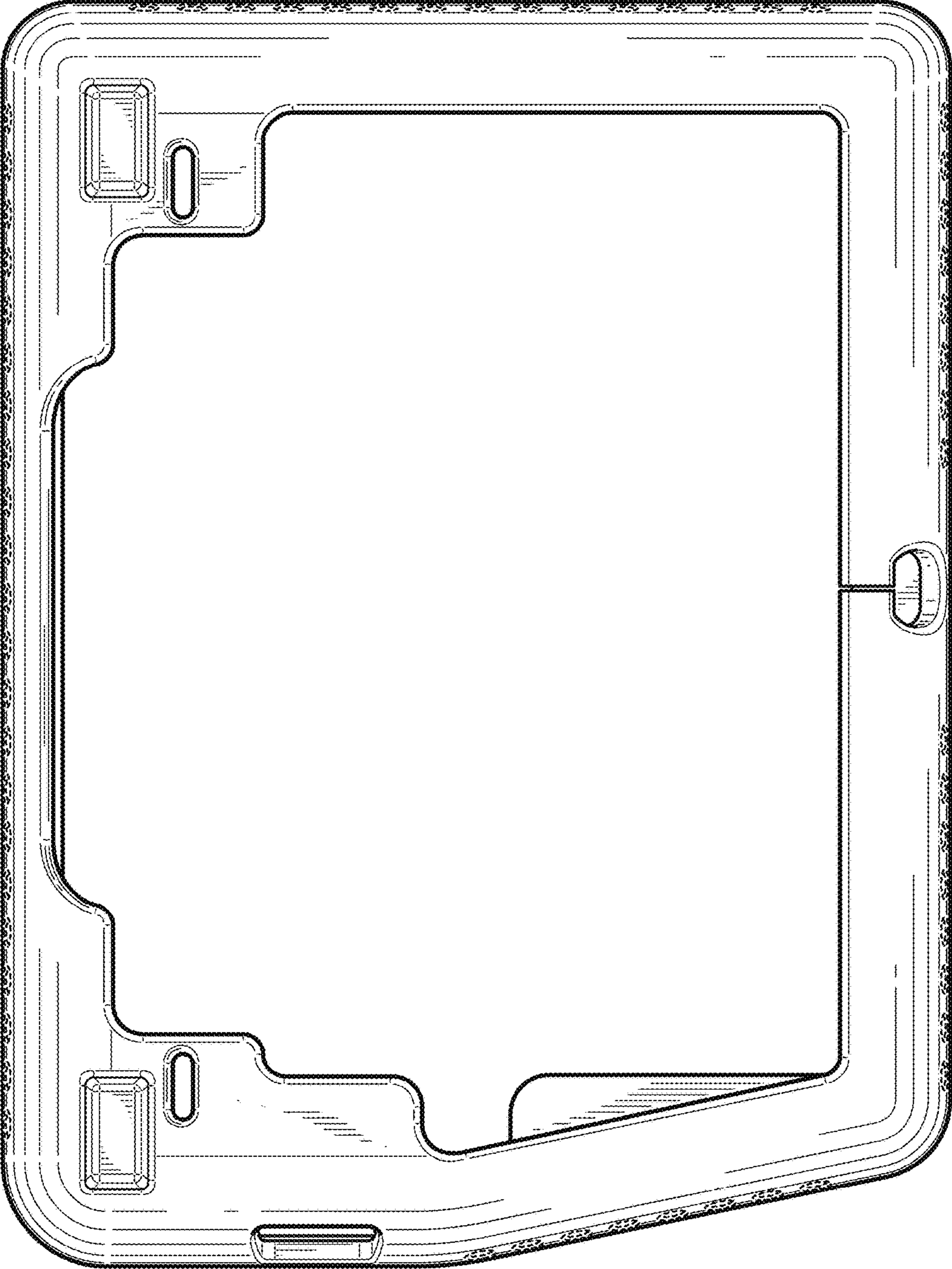


FIG. 7