



US00D780763S

(12) **United States Design Patent** (10) **Patent No.:** **US D780,763 S**  
**Beals et al.** (45) **Date of Patent:** **\*\* Mar. 7, 2017**

(54) **SMART CARD INTERFACE**  
(71) Applicant: **NagraStar LLC**, Englewood, CO (US)  
(72) Inventors: **William Michael Beals**, Englewood, CO (US); **Hervé Goupil**, Villars sous Yens (CH)  
(73) Assignee: **Nagrastar LLC**, Englewood, CO (US)  
(\*\*) Term: **14 Years**  
(21) Appl. No.: **29/521,236**

(22) Filed: **Mar. 20, 2015**  
(51) **LOC (10) Cl.** ..... **14-02**  
(52) **U.S. Cl.**  
USPC ..... **D14/436**; D14/437

(58) **Field of Classification Search**  
USPC ..... D14/435-437, 478-480, 485-495, 474, D14/217; D13/182; 369/275.1-275.5, 369/44.26, 100, 52.1, 272, 273, 280-288; 283/81; 720/718; 435/6, 287.2; 604/891.1; 216/2; D11/80; 235/492, 235/488, 493, 487, 375, 379, 439, 440, 235/441, 451, 486; 361/737, 748-752; D19/9, 10; D9/457; 705/51; 257/707, 257/686; 340/5.52, 5.25, 5.74  
CPC ..... G06K 9/00973-9/00986; G06K 19/063-19/0701; G06K 19/0708-19/0712; G06K 19/0715-19/0771; G06K 19/083-19/18; G06K 21/00-21/06; G06K 2207/00-2207/1018; G06F 3/08; G06F 3/12; G06F 7/40; G06F 17/5068; G06F 21/00; G06F 21/30; G06F 21/31; G06F 21/34; G06F 21/45; G06F 21/77-21/80; Y10T 29/49018; Y10T 29/49124-29/4913; Y10T 29/49117; H01L 23/13; H01L 23/31; H01L 23/3128; H01L 23/48; H01L 23/49541; H01L 23/498; H01L 23/49811; H01L 23/49816; H01L 23/49833; H01L 23/49838; H01L 23/49844; H01L 23/4985; H01L

23/49855; H01L 23/49888; H01L 23/522; H01L 23/528; H01L 23/5283; H01L 23/538;

(Continued)

(56) **References Cited**

**U.S. PATENT DOCUMENTS**

D54,610 S 3/1920 Evans et al.  
1,499,698 A \* 7/1924 Schoenert ..... B26B 21/56  
30/34.05

(Continued)

**FOREIGN PATENT DOCUMENTS**

CA 2318936 4/2004  
EP 740478 10/1996

(Continued)

**OTHER PUBLICATIONS**

U.S. Appl. No. 29/448,761, Non-final Rejection mailed Mar. 26, 2015, 12 pages.

(Continued)

*Primary Examiner* — Susan Moon Lee

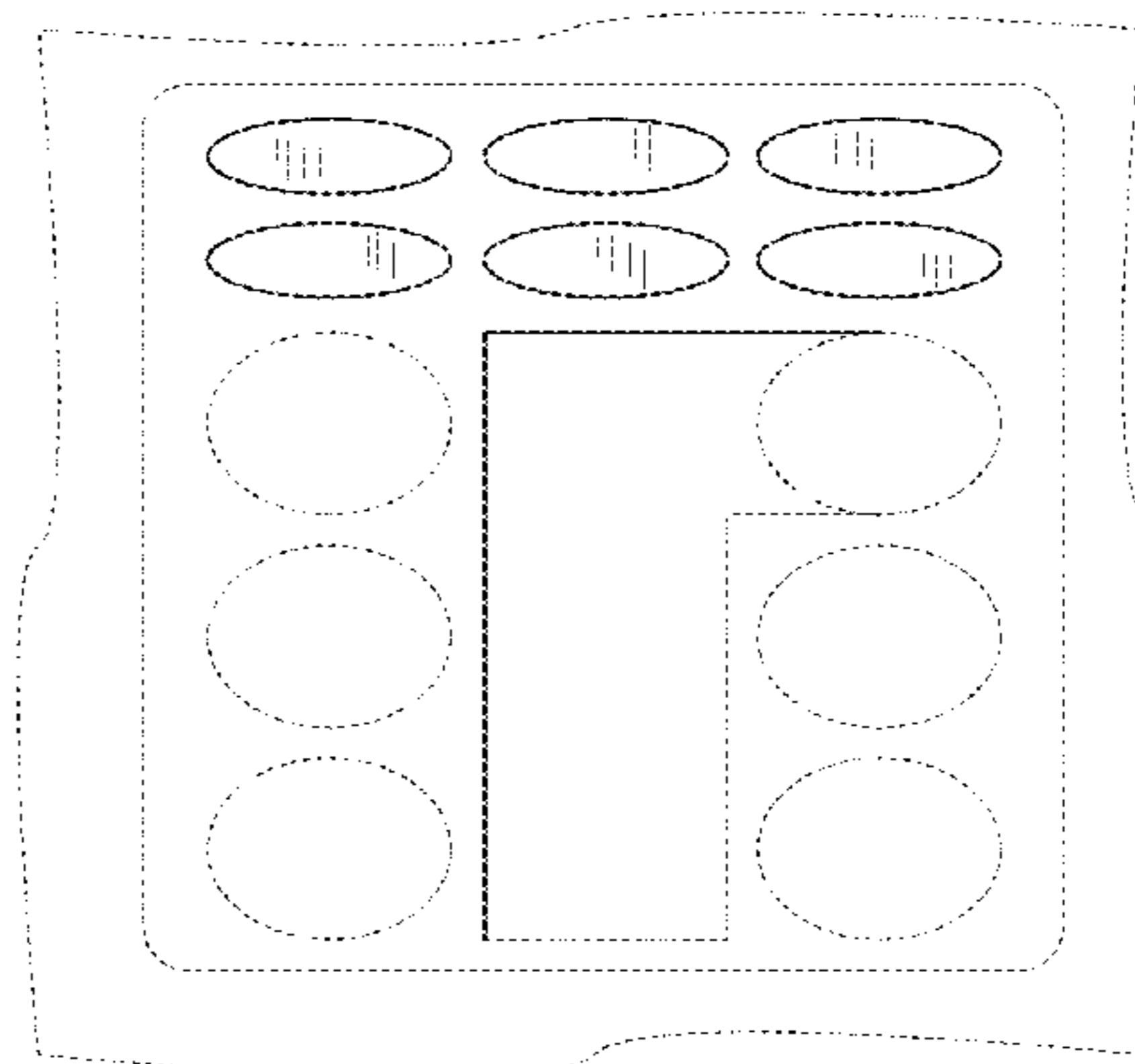
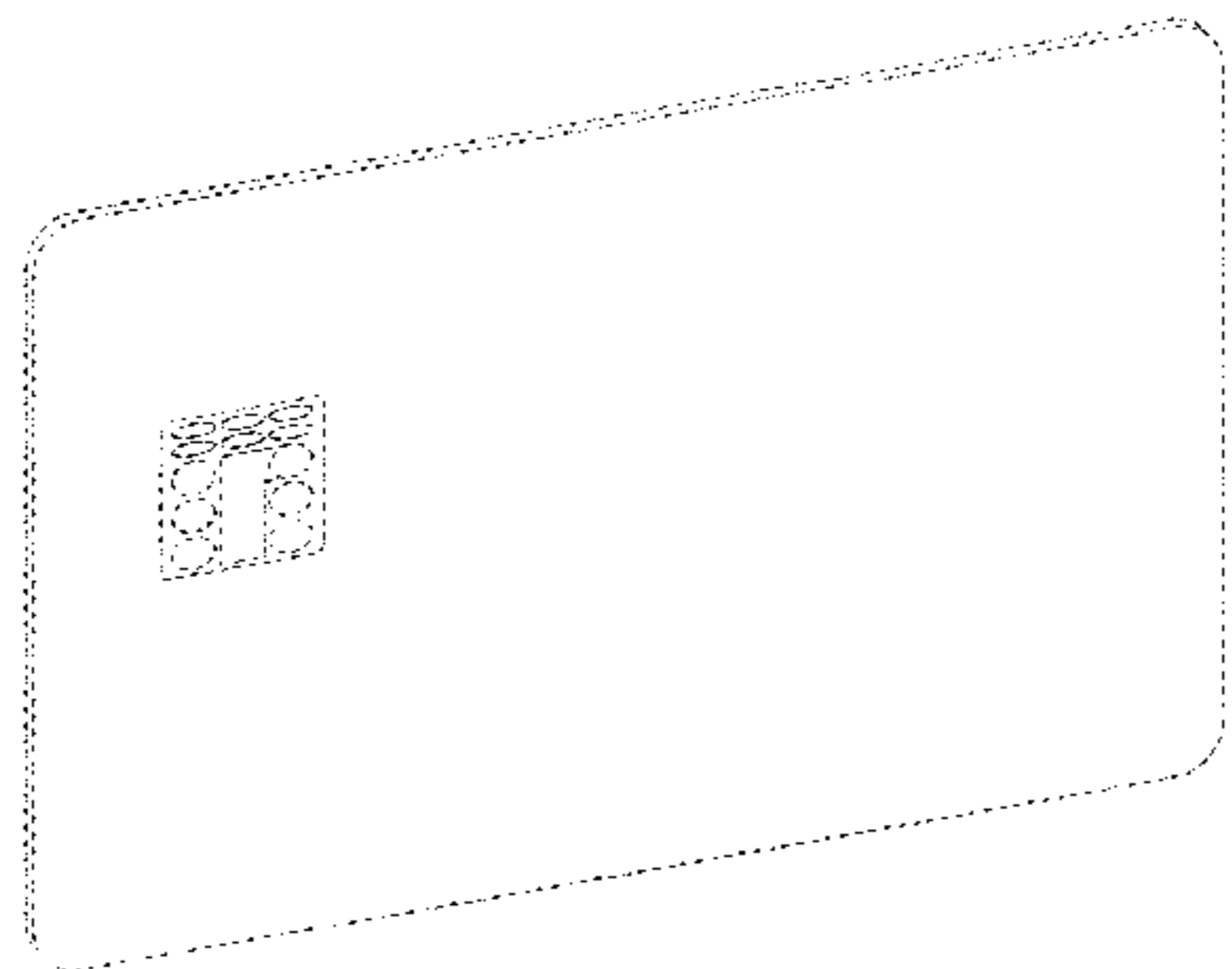
(57) **CLAIM**

The ornamental design for a smart card interface, as shown and described.

**DESCRIPTION**

FIG. 1 is a front perspective view of a smart card interface showing our new design; FIG. 2 is a front elevation view thereof; and, FIG. 3 is an enlarged view of the contacts portion of the smart card interface. The portions depicted in broken line illustrate parts of the smart card interface that form no part of the claimed design.

**1 Claim, 2 Drawing Sheets**



(58) **Field of Classification Search**

CPC ..... H01L 23/5386; H01L 23/5388; H01L 23/5389; H01L 25/00; H01L 25/0655; H01L 27/0203; H01L 27/0207; H01L 27/12; H01L 27/1218; H01L 27/1222; H01L 27/127; H01L 24/00-24/17; H01L 24/94-24/98; H01L 2224/01; H01L 2224/0501; H01L 2224/05013-2224/05017; H01L 2224/0555-2224/05557; H01L 2224/0612-2224/06189; H01L 2224/07-2224/09181; H01L 21/00-21/84  
See application file for complete search history.

D305,023 S 12/1989 Suto  
4,887,234 A 12/1989 Iijima  
4,889,980 A 12/1989 Hara et al.  
4,896,028 A \* 1/1990 Kushima ..... G06K 19/07743  
235/492  
4,897,534 A 1/1990 Haghiri-Tehrani  
4,980,802 A 12/1990 Champagne et al.  
4,985,920 A 1/1991 Seki  
4,990,759 A \* 2/1991 Gloton ..... G06K 19/07728  
235/487  
4,994,659 A \* 2/1991 Yabe ..... G06K 19/07745  
235/488  
5,027,190 A 6/1991 Haghiri-Tehrani et al.  
5,031,026 A 7/1991 Ueda  
5,049,718 A 9/1991 Spletter et al.  
5,055,913 A 10/1991 Haghiri-Tehrani  
5,061,845 A \* 10/1991 Pinnavaia ..... H05K 5/0269  
235/487

(56) **References Cited**

U.S. PATENT DOCUMENTS

D221,282 S \* 7/1971 Miller et al. .... D14/247  
3,702,025 A 11/1972 Archer  
3,702,464 A \* 11/1972 Castrucci ..... G06K 19/07743  
101/369  
3,719,981 A \* 3/1973 Steitz ..... H01L 24/11  
228/123.1  
4,104,785 A 8/1978 Shiba et al.  
D267,094 S 11/1982 Doi  
4,394,654 A 7/1983 Hofmann-Cerfontaine  
4,417,413 A 11/1983 Hoppe et al.  
4,450,024 A \* 5/1984 Haghiri-Tehrani G06K 19/07728  
156/108  
4,463,971 A \* 8/1984 Hoppe ..... G06K 19/07728  
235/487  
4,532,419 A 7/1985 Takeda  
4,535,385 A \* 8/1985 August ..... H01L 23/36  
257/E23.101  
4,549,200 A 10/1985 Ecker et al.  
4,549,247 A 10/1985 Hoppe et al.  
4,550,248 A \* 10/1985 Hoppe ..... G06K 19/07743  
235/441  
4,575,621 A 3/1986 Dreifus  
4,600,257 A 7/1986 Fushimoto  
4,603,249 A 7/1986 Hoppe et al.  
4,614,861 A 9/1986 Pavlov et al.  
4,621,190 A \* 11/1986 Saito ..... G06K 19/07  
235/380  
4,639,585 A \* 1/1987 Haghiri-Tehrani G06K 19/07728  
235/487  
4,677,529 A \* 6/1987 Watanabe ..... H05K 1/167  
338/115  
4,689,103 A 8/1987 Elarde  
4,696,034 A 9/1987 Wiedemer  
4,714,980 A \* 12/1987 Hara ..... G06K 19/07745  
235/492  
4,727,246 A 2/1988 Hara et al.  
4,739,448 A \* 4/1988 Rowe ..... H01L 23/66  
333/238  
4,754,319 A \* 6/1988 Saito ..... B32B 37/185  
235/492  
4,774,633 A 9/1988 Dehaine et al.  
4,792,843 A 12/1988 Haghiri-Tehrani et al.  
4,795,895 A \* 1/1989 Hara ..... G06K 19/07745  
235/488  
4,797,542 A \* 1/1989 Hara ..... G06K 19/0719  
235/380  
4,803,542 A \* 2/1989 Haghiri-Tehrani G06K 19/07745  
257/672  
4,814,943 A \* 3/1989 Okuaki ..... H01L 23/04  
174/564  
4,822,989 A 4/1989 Miyamoto et al.  
4,825,283 A 4/1989 Shino  
4,835,846 A \* 6/1989 Juan ..... G06K 19/07743  
174/541  
4,849,944 A 7/1989 Matsushita  
4,868,376 A 9/1989 Lessin et al.  
D304,826 S 11/1989 Sutoh

5,097,117 A 3/1992 Champagne et al.  
5,122,860 A 6/1992 Kikuchi et al.  
5,126,548 A 6/1992 Sekiguchi  
D327,883 S 7/1992 Gloton  
D328,599 S 8/1992 Gloton  
5,134,773 A 8/1992 LeMaire et al.  
5,155,068 A 10/1992 Tada  
5,203,078 A 4/1993 Nakanishi et al.  
5,208,450 A 5/1993 Uenishi et al.  
5,220,598 A \* 6/1993 Bock ..... H04M 1/23  
379/110.01  
5,250,341 A 10/1993 Kobayashi et al.  
5,255,430 A \* 10/1993 Tallaksen ..... G06K 19/07745  
174/530  
D342,728 S 12/1993 Gloton  
5,276,311 A 1/1994 Hennige  
5,276,317 A 1/1994 Ozouf et al.  
D344,502 S 2/1994 Gloton  
5,304,513 A 4/1994 Haghiri-Tehrani et al.  
5,361,062 A 11/1994 Weiss et al.  
5,362,955 A 11/1994 Haghiri-Tehrani  
5,363,279 A 11/1994 Cha  
D353,135 S 12/1994 Gloton  
D353,136 S \* 12/1994 Gloton ..... D14/437  
5,375,037 A 12/1994 Le Roux  
5,386,340 A 1/1995 Kurz  
D357,909 S 5/1995 Gloton  
D358,142 S 5/1995 Gloton  
5,434,395 A \* 7/1995 Storck ..... G06K 7/0021  
235/375  
5,444,301 A 8/1995 Song et al.  
5,448,511 A 9/1995 Paurus et al.  
5,463,210 A 10/1995 Imura  
5,486,687 A 1/1996 Le Roux  
D367,273 S \* 2/1996 Ebe ..... D14/436  
5,502,278 A \* 3/1996 Mabboux ..... H01L 23/49838  
174/261  
5,506,499 A \* 4/1996 Puar ..... G11C 29/48  
29/847  
5,526,233 A 6/1996 Hayakawa  
5,543,585 A 8/1996 Booth et al.  
5,544,014 A 8/1996 Atsumi  
5,547,740 A \* 8/1996 Higdon ..... H01L 23/525  
228/180.21  
5,563,400 A 10/1996 Le Roux  
5,569,941 A \* 10/1996 Takahashi ..... H01L 29/0834  
257/132  
D375,303 S 11/1996 Gaumet  
5,572,779 A \* 11/1996 Adelman ..... H01F 41/046  
257/E23.061  
5,581,065 A 12/1996 Nishikawa et al.  
5,590,596 A \* 1/1997 Tani ..... B41F 15/0818  
101/115  
5,594,275 A \* 1/1997 Kwon ..... H01L 23/3128  
257/685  
5,604,379 A \* 2/1997 Mori ..... H01L 23/3157  
257/737  
5,612,513 A \* 3/1997 Tuttle ..... H01L 23/24  
174/260  
5,615,085 A 3/1997 Wakabayashi et al.

(56)		References Cited			
U.S. PATENT DOCUMENTS					
5,623,552	A	4/1997	Lane	6,232,937	B1 *
5,637,858	A	6/1997	Hoppe et al.		
5,655,917	A *	8/1997	Kaneshige .....	G06K 13/08	5/2001
				439/155	Jacobsen .....
5,677,524	A	10/1997	Haghiri-Tehrani		G02B 25/002
D387,746	S	12/1997	Ishihara		345/100
D387,747	S	12/1997	Ishihara	6,238,850	B1 *
D388,066	S	12/1997	Ishihara		5/2001
D389,130	S	1/1998	Ishihara		Bula .....
5,724,545	A	3/1998	Skorski		G03F 7/203
5,729,000	A	3/1998	Sugimoto		430/311
5,739,515	A	4/1998	Takemura	6,241,557	B1
5,742,680	A	4/1998	Wilson		6/2001
5,745,988	A	5/1998	Hohmann et al.	6,291,870	B1 *
5,752,857	A	5/1998	Knights		9/2001
5,780,836	A	7/1998	Iguchi et al.		Kawashima .....
5,780,837	A	7/1998	Garcia		H01L 21/76819
5,786,988	A *	7/1998	Harari .....	G06K 19/0728	257/510
				439/155	
5,789,733	A	8/1998	Jachimowicz et al.	6,292,490	B1
5,822,190	A	10/1998	Iwasaki		9/2001
5,837,984	A *	11/1998	Bleier .....	G06K 7/0021	6,297,548
				235/487	B1 *
5,852,290	A	12/1998	Chaney		10/2001
D407,392	S	3/1999	Kleineidam		Moden .....
5,877,488	A	3/1999	Klatt et al.		H01L 23/13
5,877,975	A	3/1999	Jigour et al.		257/686
5,885,856	A *	3/1999	Gilbert .....	H01L 21/31053	6,315,205
				257/E21.244	B1
5,894,597	A *	4/1999	Schwartz .....	G06K 7/0021	6,316,735
				235/441	B1 *
5,900,655	A *	5/1999	Shim .....	H01L 27/14627	6,323,064
				257/232	B1 *
5,912,502	A *	6/1999	Kano .....	G01R 31/2884	6,326,243
				257/207	B1 *
5,932,866	A	8/1999	Terada et al.		12/2001
5,933,328	A	8/1999	Wallace et al.		Houdeau .....
5,955,961	A	9/1999	Wallerstein		G06K 19/07743
5,969,329	A *	10/1999	Vallat .....	G06K 7/0013	257/668
				235/441	
5,991,400	A	11/1999	Kamperman		6,329,228
5,993,261	A	11/1999	Klatt et al.		B1
6,025,997	A *	2/2000	Huber .....	H01L 23/49827	D452,864
				235/492	S
6,027,028	A	2/2000	Pieterse et al.		1/2002
6,035,037	A	3/2000	Chaney		Wallace et al.
6,035,216	A *	3/2000	Cheng .....	H04B 1/3816	2/2002
				235/475	Miyajima
6,036,099	A	3/2000	Leighton		4/2002
6,054,774	A	4/2000	Ohmori et al.		Turin
D425,519	S *	5/2000	Merlin .....	D14/436	6,369,795
6,065,681	A	5/2000	Trueggelmann		B1 *
6,085,155	A *	7/2000	Hayase .....	G01C 15/004	6,378,774
				702/40	B1
6,089,451	A *	7/2000	Krause .....	G06K 7/084	6,394,343
				235/380	B1 *
6,097,605	A	8/2000	Klatt et al.		4/2002
6,102,743	A	8/2000	Haffenden et al.		Emori et al.
6,141,210	A	10/2000	Iwasaki		Berg .....
D434,396	S	11/2000	Iwasaki		G06K 7/0008
D434,418	S	11/2000	Shinada		235/379
6,151,511	A	11/2000	Cruciani		6,398,114
6,175,517	B1 *	1/2001	Jigour .....	G06F 13/409	B1
				365/51	6/2002
6,188,580	B1	2/2001	Huber et al.		Nishikawa et al.
6,191,951	B1	2/2001	Houdeau et al.		Powers .....
6,194,252	B1 *	2/2001	Yamaguchi .....	H01L 27/0207	B41J 2/1603
				257/207	347/63
6,205,028	B1 *	3/2001	Matsumura .....	H05K 1/0201	6,409,089
				174/252	B1
6,209,790	B1	4/2001	Houdeau et al.		6/2002
6,213,403	B1	4/2001	Bates, III		Eskicioglu
					8/2002
					Koubuchi .....
					257/776
					6,443,361
					B1
					9/2002
					Klatt et al.
					6,460,772
					B1
					10/2002
					Stahl
					6,462,273
					B1 *
					10/2002
					Corisis .....
					G06K 19/077
					174/521
					6,492,718
					B2
					12/2002
					Ohmori
					6,513,718
					B1 *
					2/2003
					Bouchez .....
					G06K 19/07728
					235/492
					6,530,645
					B2 *
					3/2003
					Hafflinger .....
					G06K 15/102
					347/41
					6,548,888
					B1
					4/2003
					Fidalgo et al.
					6,561,432
					B1
					5/2003
					Vedder et al.
					6,568,600
					B1 *
					5/2003
					Carpier .....
					G06K 19/07749
					235/487
					6,581,830
					B1 *
					6/2003
					Jelinek .....
					G06K 7/0034
					235/439
					6,581,840
					B2
					6/2003
					Takeda et al.
					6,592,031
					B1
					7/2003
					Klatt
					6,592,044
					B1
					7/2003
					Wong et al.
					6,594,361
					B1
					7/2003
					Chaney et al.
					6,611,045
					B2 *
					8/2003
					Travis .....
					H01L 21/76229
					257/620
					6,613,610
					B2 *
					9/2003
					Iwafuchi .....
					H01L 21/2007
					257/E21.122
					6,617,693
					B2 *
					9/2003
					Hikita .....
					H01L 23/49575
					257/686
					6,618,258
					B2 *
					9/2003
					Goris .....
					G06K 7/0021
					361/728
					6,623,305
					B2 *
					9/2003
					Chun-Lung .....
					G06K 7/0021
					439/108
					6,641,049
					B2
					11/2003
					Luu
					6,646,957
					B2
					11/2003
					Martin et al.
					6,649,452
					B2 *
					11/2003
					Lucas .....
					G03F 1/144
					430/5
					6,693,315
					B2 *
					2/2004
					Kuroda .....
					H01L 21/31053
					257/288
					D487,747
					S
					3/2004
					Yu et al.
					6,705,520
					B1
					3/2004
					Pitroda et al.
					6,719,206
					B1
					4/2004
					Bashan et al.
					6,723,646
					B2 *
					4/2004
					Su .....
					H01L 21/31053
					257/E21.244
					D491,951
					S
					6/2004
					Yu et al.
					D492,688
					S
					7/2004
					Wallace et al.
					6,762,537
					B1 *
					7/2004
					Kikushima .....
					H03H 9/0547
					310/313 R

(56)

References Cited

U.S. PATENT DOCUMENTS

6,764,005 B2	7/2004	Cooper		7,303,137 B2 *	12/2007	Ho	G06K 19/07 235/449
D493,798 S	8/2004	Yu et al.		7,305,535 B2	12/2007	Harari et al.	
D493,799 S *	8/2004	Chiang	D14/436	7,307,848 B2 *	12/2007	Takiar	G06K 19/077 361/736
6,777,813 B2 *	8/2004	Juengling	H01L 21/76819 257/773	7,317,248 B2 *	1/2008	Poechmueller	G11C 5/04 257/713
6,779,115 B1	8/2004	Naim		7,350,714 B2	4/2008	Wallace et al.	
6,787,469 B2 *	9/2004	Houston	H01L 27/1104 257/E21.314	7,352,588 B2 *	4/2008	Nishizawa	G06K 19/07732 257/777
6,794,691 B2 *	9/2004	Nelson	H01L 21/31053 257/208	7,360,688 B1 *	4/2008	Harris	G06K 7/0021 235/380
D498,760 S *	11/2004	Chiang	D14/436	D571,810 S	6/2008	Ikeda	
6,811,082 B2	11/2004	Wong		7,384,294 B2	6/2008	Washino et al.	
6,826,185 B1	11/2004	Montanaro et al.		7,416,132 B2	8/2008	Takiar et al.	
6,833,323 B2 *	12/2004	Yui	H01L 21/7684 257/758	7,446,352 B2 *	11/2008	Becker	H01L 27/0207 257/206
6,836,138 B1 *	12/2004	Park	G01R 1/0483 324/756.05	7,469,420 B2	12/2008	Duffield et al.	
6,848,617 B1	2/2005	Fries et al.		7,485,501 B2	2/2009	Takiar et al.	
6,879,488 B2 *	4/2005	Takeda	H01L 23/345 174/252	7,494,381 B1 *	2/2009	Wu	H01R 12/714 439/630
6,882,537 B2 *	4/2005	Barclay	H05K 1/0206 174/252	D588,133 S	3/2009	Nakamura	
6,882,541 B2	4/2005	Maruyama et al.		D588,134 S	3/2009	Nakamura	
6,883,715 B1 *	4/2005	Fruhauf	G06K 19/07 235/441	7,508,942 B2	3/2009	Candelore	
6,884,642 B2 *	4/2005	Farnworth	H01L 22/32 438/14	7,520,052 B2	4/2009	Takahashi et al.	
6,896,189 B2	5/2005	Guion et al.		7,530,495 B2	5/2009	Cooper	
6,903,935 B1 *	6/2005	Chen	G06K 19/07735 235/492	7,552,876 B2	6/2009	Nishizawa et al.	
6,905,899 B2 *	6/2005	Yang	G03F 1/144 257/E21.027	7,554,139 B2 *	6/2009	Inoue	H01L 21/76229 257/288
6,922,780 B1	7/2005	Siegel		7,559,469 B2	7/2009	Noda et al.	
6,937,191 B2 *	8/2005	Puente Baliarda	H01Q 1/246 343/700 MS	7,577,846 B2	8/2009	Kudelski et al.	
6,937,206 B2 *	8/2005	Puente Baliarda	H01Q 1/246 343/700 MS	7,591,426 B2 *	9/2009	Osterweil	G06K 19/06206 235/449
6,974,343 B2 *	12/2005	Zheng	H01R 13/627 439/326	7,605,453 B2	10/2009	Stampka et al.	
7,001,800 B2 *	2/2006	Cappelletti	H01L 27/0207 257/368	7,615,858 B2 *	11/2009	Eun	H01L 23/24 257/686
7,005,955 B2 *	2/2006	Schumacher	H01F 17/0033 336/200	7,616,015 B2 *	11/2009	Lee	G01R 1/07307 324/756.03
7,009,233 B2 *	3/2006	Uchiyama	G03F 9/7076 257/296	7,618,849 B2 *	11/2009	Khan	H01L 21/56 257/675
7,019,981 B2	3/2006	Heinemann et al.		7,647,641 B2	1/2010	Dubroeuq et al.	
7,049,185 B2 *	5/2006	Ito	H01L 21/76229 257/E21.548	7,659,606 B2	2/2010	Klatt	
7,051,128 B2	5/2006	Bando		7,673,805 B2	3/2010	Onishi et al.	
7,051,929 B2	5/2006	Li		D615,506 S *	5/2010	Eide	D13/182
7,061,263 B1 *	6/2006	Ong	G01R 31/2884 324/750.3	7,745,943 B2 *	6/2010	Haba	H01L 23/3128 257/784
7,062,584 B1	6/2006	Worrell et al.		7,772,686 B2 *	8/2010	Ye	G11C 29/1201 257/48
7,063,267 B2 *	6/2006	Tsuchimoto	G06K 19/07745 235/441	7,784,693 B2	8/2010	Liao et al.	
7,074,547 B2 *	7/2006	Hoshino	G03F 1/36 430/311	7,793,848 B2	9/2010	Abe et al.	
7,098,526 B2 *	8/2006	Kobayashi	G02F 1/13452 257/659	7,808,788 B2 *	10/2010	Gertiser	H05K 1/0206 165/80.2
7,136,514 B1	11/2006	Wong		7,810,718 B2	10/2010	Bonneau et al.	
7,140,550 B2	11/2006	Ramachandran		7,828,207 B2	11/2010	Cooper	
7,150,406 B2 *	12/2006	Droz	G06K 19/07749 235/488	7,864,540 B2	1/2011	Takiar	
7,184,093 B2	2/2007	Manning		7,871,007 B2	1/2011	Amiot et al.	
7,207,662 B2 *	4/2007	Shin	B41J 2/1404 347/56	7,871,011 B2	1/2011	Reignoux et al.	
7,225,537 B2	6/2007	Reed		7,903,422 B2 *	3/2011	Watanabe	G06F 1/203 174/252
7,245,891 B2 *	7/2007	Huginin	H04M 19/04 455/148	7,913,916 B2	3/2011	Musial et al.	
7,252,242 B2	8/2007	Ho		7,922,097 B2	4/2011	Yoshikawa et al.	
7,293,716 B1 *	11/2007	Miks	H01L 21/561 235/451	7,925,016 B2	4/2011	Candelore	
7,294,918 B2	11/2007	Wada et al.		D638,810 S *	5/2011	Morikawa	D13/180
				7,939,443 B2 *	5/2011	Fox	G06F 17/5068 257/E21.575
				7,954,705 B2	6/2011	Mullen et al.	
				7,967,214 B2 *	6/2011	Landau	G06K 19/077 235/487
				D643,040 S	8/2011	Sedio et al.	
				8,009,432 B2	8/2011	Su et al.	
				8,022,526 B2	9/2011	Chall et al.	
				8,030,746 B2 *	10/2011	Tan	G06K 19/072 257/686
				8,064,205 B2	11/2011	Farhan et al.	
				8,072,331 B2 *	12/2011	Narendra	G06K 19/0701 235/380
				8,079,528 B2	12/2011	Song	

(56)

References Cited

U.S. PATENT DOCUMENTS

8,093,502 B2 *	1/2012	Mikado	H05K 1/0281	2001/0012366 A1	8/2001	Beals	D14/436
			174/254	2001/0011944 A1	8/2001	Garrido-Gadea et al.	
8,097,939 B2 *	1/2012	Okada	H05K 1/181	2001/0011962 A1 *	8/2001	Fletout	G06K 19/07745
			257/679				343/767
8,141,780 B2 *	3/2012	Lawson	G06K 7/083	2001/0050846 A1	12/2001	Van Rijnsoever et al.	
			235/454	2001/0018984 A1	9/2001	Takeda et al.	
D667,442 S	9/2012	Phelan		2001/0043075 A1 *	11/2001	Suzuki	G01R 1/07371
D667,495 S *	9/2012	Bender	D19/10				324/762.05
D669,478 S	10/2012	Lepp et al.		2001/0050846 A1	12/2001	Cho	
D669,479 S	10/2012	Lepp et al.		2002/0003168 A1	1/2002	Takabayashi	
8,317,103 B1	11/2012	Foo et al.		2002/0045106 A1 *	4/2002	Baselmans	G03F 1/144
8,349,709 B2 *	1/2013	Inoue	G06F 17/5068				430/5
			257/620	2002/0050642 A1 *	5/2002	Oota	H01L 21/565
D677,679 S *	3/2013	Edwards	D14/485				257/738
D681,640 S	5/2013	Aoki et al.		2002/0089572 A1 *	7/2002	Lin	B41J 2/14233
8,448,102 B2 *	5/2013	Kornachuk	G06F 17/5068				347/68
			716/118	2002/0137502 A1	9/2002	Cronin et al.	
8,449,783 B2 *	5/2013	Watanabe	B41J 2/1603	2002/0145049 A1	10/2002	Lasch et al.	
			216/27	2002/0186542 A1 *	12/2002	Choi	H01L 23/36
8,451,122 B2	5/2013	Narendra et al.					361/719
8,453,094 B2 *	5/2013	Kornachuk	G06F 17/5072	2003/0002577 A1	1/2003	Pinder	
			716/118	2003/0059047 A1	3/2003	Iwamura	
8,456,850 B2	6/2013	Kang et al.		2003/0085287 A1	5/2003	Gray	
8,456,852 B2	6/2013	Xiao et al.		2003/0091160 A1	5/2003	Enbom et al.	
D685,375 S	7/2013	Steinberger		2003/0132284 A1 *	7/2003	Reynolds	G06Q 20/341
D686,214 S	7/2013	Maus et al.					235/380
8,480,002 B2	7/2013	Poidomani et al.		2003/0153356 A1	8/2003	Liu	
8,500,019 B2	8/2013	Poidomani et al.		2003/0179910 A1	9/2003	Wong	
8,505,064 B2	8/2013	Hildebrand et al.		2003/0194091 A1	10/2003	Wajs	
8,573,494 B2 *	11/2013	Narendra	G06K 19/06187	2003/0213849 A1	11/2003	Luu	
			235/379	2004/0001591 A1	1/2004	Mani et al.	
8,582,308 B2 *	11/2013	Sugimoto	H05K 3/284	2004/0009409 A1 *	1/2004	Hwang	G03F 1/144
			174/520				430/5
D695,636 S	12/2013	Mullen et al.		2004/0102034 A1 *	5/2004	Ito	G06F 17/5068
8,608,082 B2	12/2013	Le Garrec et al.					438/637
8,618,669 B2	12/2013	Furuta		2004/0111693 A1 *	6/2004	Lin	G03F 1/144
D699,201 S *	2/2014	Petsch	D13/182				716/52
8,647,110 B2	2/2014	Choi et al.		2004/0124246 A1	7/2004	Allen et al.	
8,649,820 B2	2/2014	Schwandt et al.		2004/0129785 A1	7/2004	Luu	
8,654,535 B2	2/2014	Lin et al.		2004/0133787 A1 *	7/2004	Doughty	G06Q 20/327
8,658,542 B2 *	2/2014	Smayling	H01L 21/027				713/186
			257/E21.517	2004/0135645 A1 *	7/2004	Koyama	H03H 9/1021
8,679,729 B2 *	3/2014	Lee	G03F 1/144				331/158
			430/319	2004/0139412 A1 *	7/2004	Ito	G06F 17/5068
D701,864 S	4/2014	Lepp et al.					716/55
D702,240 S	4/2014	Lepp et al.		2004/0143716 A1	7/2004	Hong	
D702,241 S	4/2014	Lepp et al.		2004/0152392 A1	8/2004	Nakamura	
D703,208 S	4/2014	Lepp et al.		2004/0155715 A1 *	8/2004	Nakamura	H03B 5/36
8,684,267 B2 *	4/2014	Foo	G06K 19/06206				331/158
			235/449	2004/0171192 A1	9/2004	Morimura et al.	
8,690,283 B2	4/2014	Pomerantz et al.		2004/0181800 A1	9/2004	Rakib et al.	
8,700,833 B2	4/2014	Cedar et al.		2004/0229135 A1 *	11/2004	Wang	G03F 1/144
8,707,237 B2 *	4/2014	Chen	G06F 17/5068				430/5
			716/123	2004/0245891 A1 *	12/2004	Kawachi	H03H 3/08
8,730,009 B2	5/2014	Barry					310/313 R
D707,682 S	6/2014	Florek et al.		2004/0256150 A1	12/2004	Barchmann et al.	
8,746,579 B1	6/2014	Cloutier et al.		2004/0260823 A1	12/2004	Tiwari et al.	
8,814,053 B2	8/2014	Narendra et al.		2005/0005287 A1	1/2005	Claussen	
8,936,199 B2	1/2015	Lepp et al.		2005/0017336 A1 *	1/2005	Kung	H01L 25/0652
D727,861 S *	4/2015	Tang	D13/182				257/685
9,009,633 B2 *	4/2015	Wu	G06F 17/5081				
			430/4	2005/0023361 A1	2/2005	Ikefuji et al.	
D729,808 S *	5/2015	Beals	D14/436	2005/0033688 A1	2/2005	Peart et al.	
D730,304 S *	5/2015	Matsumoto	D13/182	2005/0048695 A1 *	3/2005	Chia	H01L 23/3114
9,054,094 B2 *	6/2015	Anthony	H01L 23/49822				438/106
9,064,195 B2 *	6/2015	Hartwick	G06K 19/06206	2005/0061884 A1	3/2005	Stewart	
9,064,878 B2 *	6/2015	Lin	H01L 23/552	2005/0076321 A1 *	4/2005	Smith	G03F 1/36
9,101,048 B2 *	8/2015	Nakanishi	H05K 1/0201				716/53
9,170,482 B2 *	10/2015	Landis	G03F 1/36	2005/0148121 A1	7/2005	Yamazaki et al.	
9,197,218 B2 *	11/2015	Kondo	H03L 1/028	2005/0191787 A1 *	9/2005	Bolken	H01L 21/50
9,258,897 B2 *	2/2016	Ishihara	H05K 1/183				438/106
9,265,148 B2 *	2/2016	Lassmann	H05K 1/0206	2005/0197169 A1	9/2005	Son	
9,291,889 B2 *	3/2016	Yoshioka	G03F 1/70	2005/0212657 A1	9/2005	Simon	
D758,372 S *	6/2016	Beals	D14/436	2005/0212690 A1	9/2005	Nishikawa	
				2005/0231921 A1	10/2005	Noda et al.	
				2005/0247784 A1	11/2005	Klatt	
				2005/0252978 A1	11/2005	Nishizawa et al.	

(56)		References Cited			
U.S. PATENT DOCUMENTS					
2005/0253239	A1*	11/2005	Nishizawa .....	G06K 7/0021	2009/0023343 A1* 1/2009 Chang .....
				257/679	H01R 13/424
2006/0026295	A1	2/2006	Iwamura		439/626
2006/0040189	A1*	2/2006	Yang .....	G03F 1/144	2009/0032593 A1 2/2009 Ljungcrantz
				430/5	2009/0040695 A1 2/2009 Fidalgo et al.
2006/0043202	A1	3/2006	Kim et al.		2009/0057417 A1 3/2009 Shinohara et al.
2006/0058065	A1	3/2006	Shen et al.		2009/0066350 A1* 3/2009 Lee .....
2006/0059391	A1	3/2006	Park et al.		G01R 31/3025
2006/0072293	A1	4/2006	Peele		324/754.07
2006/0131396	A1	6/2006	Blossom		2009/0079053 A1* 3/2009 Huang .....
2006/0133051	A1	6/2006	Calvas et al.		H01L 23/49855
2006/0155913	A1	7/2006	Nishikawa et al.		257/679
2006/0208077	A1	9/2006	Hirata		2009/0140415 A1 6/2009 Furuta
2006/0283946	A1	12/2006	Riester et al.		2009/0144456 A1 6/2009 Gelf et al.
2006/0286847	A1	12/2006	Zuo et al.		2009/0155953 A1* 6/2009 Saeki .....
2007/0018313	A1*	1/2007	Gomyo .....	H01L 21/568	H01L 24/75
				257/723	438/106
2007/0028260	A1	2/2007	Williams et al.		2009/0156254 A1 6/2009 Montes
2007/0033606	A1*	2/2007	Yamada .....	G11B 23/0316	2009/0166894 A1* 7/2009 Azumai .....
				720/725	H01L 27/0207
2007/0035031	A1*	2/2007	Jessen .....	H01L 22/12	257/786
				257/774	2009/0181314 A1* 7/2009 Shyu .....
2007/0060198	A1	3/2007	Kuo		G03F 1/144
2007/0067820	A1	3/2007	Cha		430/5
2007/0085187	A1*	4/2007	Sun .....	H01L 23/3677	2009/0199283 A1 8/2009 Jain
				257/686	2009/0228853 A1* 9/2009 Hong .....
2007/0090534	A1*	4/2007	Iwasaki .....	H01L 23/5385	G06F 17/5068
				257/777	716/119
2007/0117550	A1	5/2007	Boris et al.		2009/0232384 A1* 9/2009 Tu .....
2007/0121008	A1	5/2007	Kanoh		G03F 1/84
2007/0125855	A1	6/2007	Jiang et al.		382/144
2007/0127185	A1	6/2007	Watanabe		2009/0242648 A1* 10/2009 Di Sirio .....
2007/0138301	A1	6/2007	Cinkler		G06K 7/0008
2007/0146542	A1	6/2007	Strasser		235/492
2007/0153487	A1	7/2007	Frallicciardi et al.		2009/0244858 A1 10/2009 Di Sirio et al.
2007/0176622	A1	8/2007	Yamazaki		2009/0273100 A1* 11/2009 Aton .....
2007/0235545	A1	10/2007	Martinez et al.		H01L 21/31144
2007/0237243	A1	10/2007	Fagan		257/786
2007/0243661	A1*	10/2007	Jackson .....	H01L 23/5389	2009/0275170 A1 11/2009 Chen
				438/106	2009/0279243 A1* 11/2009 Amidi .....
2007/0246536	A1	10/2007	Tuin		G11C 5/04
2007/0250872	A1	10/2007	Dua		361/679.31
2007/0262156	A1	11/2007	Chen et al.		2009/0315932 A1* 12/2009 Dimitrijevic .....
2007/0266182	A1	11/2007	Lanning		G06K 15/107
2008/0020800	A1	1/2008	Xu		347/12
2008/0041952	A1	2/2008	Kang		2010/0006322 A1 1/2010 Cheng
2008/0049392	A1*	2/2008	Takiar .....	G06K 19/04	2010/0013887 A1* 1/2010 Suh .....
				361/679.32	B41J 2/1408
2008/0062066	A1	3/2008	Arai		347/18
2008/0079565	A1	4/2008	Koyama		2010/0019038 A1 1/2010 Puente Baliarda et al.
2008/0083831	A1	4/2008	Lafuente et al.		2010/0025480 A1 2/2010 Nishizawa et al.
2008/0094788	A1	4/2008	Choe		2010/0072284 A1 3/2010 Nishizawa et al.
2008/0096317	A1	4/2008	Middlekauff et al.		2010/0117800 A1 5/2010 Li et al.
2008/0099559	A1	5/2008	Lo et al.		2010/0136816 A1 6/2010 Ahn
2008/0111254	A1*	5/2008	Park .....	H01L 21/486	2010/0165581 A1* 7/2010 Ziglioli .....
				257/786	B81B 7/007
2008/0122894	A1	5/2008	Lee et al.		361/730
2008/0135626	A1	6/2008	Reignoux et al.		2010/0165589 A1 7/2010 Zhou
2008/0148394	A1*	6/2008	Poidomani .....	G06F 21/77	2010/0169940 A1 7/2010 Howarter et al.
				726/20	2010/0172112 A1* 7/2010 Okada .....
2008/0164893	A1*	7/2008	Lee .....	G01R 1/07342	G06K 19/07732
				324/754.07	361/782
2008/0165962	A1	7/2008	Kawano et al.		2010/0176207 A1 7/2010 Yoshikawa et al.
2008/0174408	A1	7/2008	Takahashi		2010/0205439 A1* 8/2010 Chu .....
2008/0186337	A1*	8/2008	Hammond .....	B41J 2/17546	H04L 9/3273
				347/6	713/169
2008/0211074	A1	9/2008	Osako et al.		2010/0272257 A1 10/2010 Beals
2008/0211302	A1	9/2008	Hirota et al.		2010/0318627 A1 12/2010 Edwards et al.
2008/0223937	A1	9/2008	Preta et al.		2010/0327467 A1* 12/2010 Hirabayashi .....
2008/0257967	A1	10/2008	Nishizawa et al.		G06F 17/5077
2008/0257968	A1	10/2008	Nishizawa et al.		257/786
2008/0279379	A1	11/2008	Muijen		2011/0010734 A1 1/2011 Newell
2008/0314983	A1	12/2008	Capurso et al.		2011/0012960 A1* 1/2011 Sakuma .....
2009/0011538	A1	1/2009	Masumoto et al.		B41J 2/1404
					347/44
					2011/0028184 A1 2/2011 Cooper
					2011/0042125 A1* 2/2011 Lee .....
					C23C 18/08
					174/250
					2011/0063066 A1* 3/2011 Choi .....
					H01F 27/2804
					336/200
					2011/0076867 A1* 3/2011 Achsaf .....
					G06K 19/077
					439/131
					2011/0138088 A1* 6/2011 Sirio .....
					G06F 3/0611
					710/106
					2011/0182040 A1* 7/2011 Ellul .....
					G06K 19/077
					361/737
					2011/0259966 A1 10/2011 Phillips
					2011/0315779 A1 12/2011 Bidin et al.
					2012/0007096 A1 1/2012 Yamazaki
					2012/0018522 A1 1/2012 Le Garrec et al.
					2012/0048948 A1 3/2012 Bertin et al.
					2012/0138690 A1 6/2012 Bosquet et al.
					2012/0140420 A1* 6/2012 Soyano .....
					H01L 23/3672
					361/715
					2012/0168517 A1 7/2012 Lee

(56)

References Cited

U.S. PATENT DOCUMENTS

2012/0193435 A1 8/2012 Hanaoka et al.  
 2012/0217049 A1\* 8/2012 Hanai ..... H05K 1/185  
 174/260  
 2012/0231650 A1 9/2012 Tian et al.  
 2012/0248201 A1 10/2012 Sutera  
 2012/0267438 A1 10/2012 Kato et al.  
 2012/0289196 A1\* 11/2012 Tan ..... H04W 12/06  
 455/411  
 2012/0292395 A1 11/2012 Huang et al.  
 2012/0299444 A1\* 11/2012 Yokoyama ..... H03H 9/13  
 310/326  
 2013/0008968 A1 1/2013 Launay et al.  
 2013/0015441 A1 1/2013 Takayama et al.  
 2013/0112757 A1 5/2013 Lee  
 2013/0134227 A1 5/2013 De Maquille et al.  
 2013/0161390 A1 6/2013 Rodriquez  
 2013/0175346 A1 7/2013 Jenni  
 2013/0185566 A1 7/2013 Pang  
 2013/0207781 A1\* 8/2013 Pagani ..... G06K 7/10178  
 340/10.1  
 2013/0219097 A1\* 8/2013 Wang ..... G06F 1/185  
 710/301  
 2013/0222484 A1\* 8/2013 Yokoyama ..... B41J 2/14201  
 347/70  
 2013/0254445 A1\* 9/2013 Burns ..... H05K 5/0265  
 710/301  
 2013/0262764 A1\* 10/2013 Jow ..... G06K 19/07732  
 711/115  
 2013/0277434 A1 10/2013 Lin  
 2013/0286603 A1\* 10/2013 Okada ..... H05K 7/02  
 361/746  
 2013/0287267 A1 10/2013 Varone  
 2013/0299223 A1\* 11/2013 Yoo ..... H05K 1/02  
 174/259  
 2013/0305530 A1\* 11/2013 Ishihara ..... H05K 3/4691  
 29/847  
 2013/0320088 A1 12/2013 Lin et al.  
 2013/0334320 A1 12/2013 Thill et al.  
 2014/0021264 A1 1/2014 Pueschner et al.  
 2014/0042230 A1 2/2014 Pueschner et al.  
 2014/0061316 A1 3/2014 Narayanaswami et al.  
 2014/0138446 A1\* 5/2014 Wu ..... G06K 19/0775  
 235/492  
 2014/0158340 A1\* 6/2014 Dixler ..... F28F 27/00  
 165/287  
 2014/0193988 A1\* 7/2014 Ma ..... H01R 12/7082  
 439/83  
 2014/0232477 A1\* 8/2014 Park ..... H03H 9/0542  
 331/68  
 2014/0256069 A1\* 9/2014 Kishimoto ..... B41J 2/1628  
 438/21  
 2014/0264029 A1\* 9/2014 Tomioka ..... G01J 3/42  
 250/338.3  
 2014/0282685 A1 9/2014 Beals et al.  
 2014/0292941 A1\* 10/2014 Kobayashi ..... B06B 1/0629  
 347/68  
 2014/0313261 A1\* 10/2014 Nagai ..... B41J 2/1433  
 347/40  
 2014/0328023 A1\* 11/2014 Choi ..... H01L 23/552  
 361/715  
 2015/0016607 A1 1/2015 Beals et al.  
 2015/0016608 A1 1/2015 Beals et al.  
 2015/0043184 A1\* 2/2015 Odagaki ..... H05K 1/111  
 361/767  
 2015/0049142 A1\* 2/2015 Hager ..... B41J 2/0453  
 347/60  
 2015/0061145 A1\* 3/2015 Nakao ..... H01L 21/7684  
 257/773  
 2015/0092357 A1\* 4/2015 Yoshikawa ..... H01L 25/00  
 361/746  
 2015/0113585 A1 4/2015 Beals et al.

2015/0143105 A1 5/2015 Beals et al.  
 2015/0147914 A1\* 5/2015 Gao ..... H01R 12/716  
 439/638  
 2016/0157346 A1\* 6/2016 Wu ..... H05K 1/113  
 174/251

FOREIGN PATENT DOCUMENTS

EP 1662361 5/2006  
 EP 2204997 7/2010  
 EP 2541959 1/2013  
 WO 2007072211 6/2007  
 WO WO 2011-120901 10/2011

OTHER PUBLICATIONS

U.S. Appl. No. 29/448,754, Non-final Rejection mailed Apr. 1, 2015, 11 pages.  
 U.S. Appl. No. 29/448,754, Amendment and Response filed Apr. 15, 2015, 10 pages.  
 U.S. Appl. No. 29/448,761, Amendment and Response filed Apr. 20, 2015, 9 pages.  
 U.S. Appl. No. 29/448,766, Notice of Allowance mailed Apr. 22, 2015, 5 pages.  
 U.S. Appl. No. 13/799,891, Amendment and Response filed Jul. 6, 2015, 13 pages.  
 International Search Report and Written Opinion for PCT/US2013/039803, mailed Jan. 23, 2014, 13 pages.  
 International Standard (1999) "Information technology—Identification cards—Integrated circuit(s) cards with contacts—Part 2: Dimensions and location of the contacts" Reference No. ISO/IEC 7816-2: 1999E, 11 pages.  
 Notice of Allowance for Chinese Patent Application No. 201330395635.2, mailed Dec. 2, 2013.  
 Notice of Allowance for Chinese Patent Application No. 201330395780.0, mailed Jan. 10, 2014.  
 Notice of Allowance for Chinese Patent Application No. 201330395895.X, mailed Nov. 19, 2013.  
 TW Patent Application No. 102304015, Office Action mailed Mar. 24, 2014, 3 pages. (English Translation).  
 TW Patent Application No. 102304016, Office Action mailed Mar. 24, 2014, 3 pages. (English Translation).  
 TW Patent Application No. 102304017, Office Action mailed Mar. 24, 2014, 3 pages. (English Translation).  
 U.S. Apppl. No. 29/448,754, Non-final Rejection mailed Sep. 10, 2014, 26 pages.  
 U.S. Apppl. No. 29/448,761, Non-final Rejection mailed Sep. 10, 2014, 26 pages.  
 U.S. Appl. No. 29/448,766, Notice of Allowance mailed Sep. 18, 2014, 28 pages.  
 U.S. Apppl. No. 29/448,754, Amendment and Response filed Dec. 10, 2014, 5 pages.  
 U.S. Appl. No. 29/448,761, Amendment and Response filed Dec. 10, 2014, 6 pages.  
 U.S. Appl. No. 29/448,766, Notice of Allowance mailed Jan. 12, 2015, 36 pages.  
 U.S. Appl. No. 13/799,891, Non-final Rejection mailed Feb. 3, 2015, 22 pages.  
 European Patent Application No. 15184485.9, EESR mailed Mar. 3, 2016, 9 pages.  
 Smart Card Module Poster compiled by Endre Nagy of Hungary 1 page poster, edition Mar 2004, [www.wrankl.de/Uthings/Training.html](http://www.wrankl.de/Uthings/Training.html).  
 U.S. Appl. No. 13/799,891, Amendment and Response filed Dec. 1, 2014, 8 pages.  
 U.S. Appl. No. 13/799,891, Amendment and Response filed Dec. 10, 2015, 14 pages.  
 U.S. Appl. No. 13/799,891, Amendment and Response filed Jun. 14, 2016, 16 pages.  
 U.S. Appl. No. 13/799,891, Office Action mailed Aug. 10, 2015, 14 pages.  
 U.S. Appl. No. 13/799,891, Office Action mailed Jan. 14, 2016, 10 pages.

(56)

**References Cited**

OTHER PUBLICATIONS

U.S. Appl. No. 13/799,891, Office Action mailed Jul. 18, 2016, 12 pages.  
U.S. Appl. No. 14/499,956, Amendment and Response filed May 31, 2016, 11 pages.  
U.S. Appl. No. 14/499,956, Amendment and Response filed Nov. 30, 2015, 7 pages.  
U.S. Appl. No. 14/499,956, Office Action mailed Jan. 29, 2016, 8 pages.  
U.S. Appl. No. 14/499,956, Office Action mailed Jul. 30, 2015, 23 pages.  
U.S. Appl. No. 14/499,956, Office Action mailed Jun. 17, 2016, 10 pages.  
U.S. Appl. No. 14/500,037, Amendment and Response filed Dec. 10, 2015, 8 pages.  
U.S. Appl. No. 14/500,037, Amendment and Response filed Jun. 16, 2016, 12 pages.  
U.S. Appl. No. 14/500,037, Office Action mailed Aug. 10, 2015, 20 pages.  
U.S. Appl. No. 14/500,037, Office Action mailed Feb. 16, 2016, 9 pages.  
U.S. Appl. No. 14/500,037, Office Action mailed Jun. 24, 2016, 10 pages.  
U.S. Appl. No. 14/500,113, Amendment and Response filed Dec. 14, 2015, 8 pages.  
U.S. Appl. No. 14/500,113, Amendment and Response filed Jun. 17, 2016, 12 pages.  
U.S. Appl. No. 14/500,113, Office Action mailed Aug. 12, 2015, 21 pages.  
U.S. Appl. No. 14/500,113, Office Action mailed Feb. 17, 2016, 8 pages.  
U.S. Appl. No. 14/500,113, Office Action mailed Jun. 28, 2016, 10 pages.  
U.S. Appl. No. 14/608,900, Amendment and Response filed Jun. 21, 2016, 17 pages.  
U.S. Appl. No. 14/608,900, Office Action mailed Aug. 5, 2016, 14 pages.  
U.S. Appl. No. 14/608,900, Office Action mailed Mar. 21, 2016, 12 pages.

U.S. Appl. No. 29/448,754, Amendment and Response filed Dec. 30, 2015, 7 pages.  
U.S. Appl. No. 29/448,754, Notice of Allowance mailed Jan. 29, 2016, 6 pages.  
U.S. Appl. No. 29/448,754, Office Action mailed Jul. 31, 2015, 8 pages.  
U.S. Appl. No. 29/448,761, Amendment and Response filed Dec. 30, 2015, 8 pages.  
U.S. Appl. No. 29/448,761, Notice of Allowance mailed Jan. 22, 2016, 6 pages.  
U.S. Appl. No. 29/448,761, Office Action mailed Aug. 14, 2015, 7 pages.  
U.S. Appl. No. 29/521,234, Notice of Allowance mailed Sep. 8, 2016, 26 pages.  
Chinese Notice of Allowance in 201530425865.8 mailed Jun. 7, 2016, 4 pages.  
Taiwanese Office Action in 104306112 mailed Jun. 23, 2016, 9 pages.  
U.S. Appl. No. 29/521,234, Notice of Allowance mailed Oct. 14, 2016, 5 pages.  
U.S. Appl. No. 14/499,956, Amendment and Response filed Sep. 23, 2016, 12 pages.  
U.S. Appl. No. 14/500,037, Amendment and Response filed Sep. 26, 2016, 11 pages.  
U.S. Appl. No. 14/500,113, Amendment and Response filed Sep. 28, 2016, 12 pages.  
European Communication in 13878216.4, mailed Sep. 21, 2016, 7 pages.  
U.S. Appl. No. 13/799,891, Amendment and Response filed Nov. 18, 2016, 17 pages.  
U.S. Appl. No. 14/499,956, Office Action mailed Nov. 8, 2016, 10 pages.  
U.S. Appl. No. 14/500,037, Office Action mailed Nov. 10, 2016, 9 pages.  
U.S. Appl. No. 14/500,113, Office Action mailed Nov. 28, 2016, 10 pages.  
U.S. Appl. No. 14/608,900, Amendment and Response filed Dec. 5, 2016, 17 pages.

\* cited by examiner



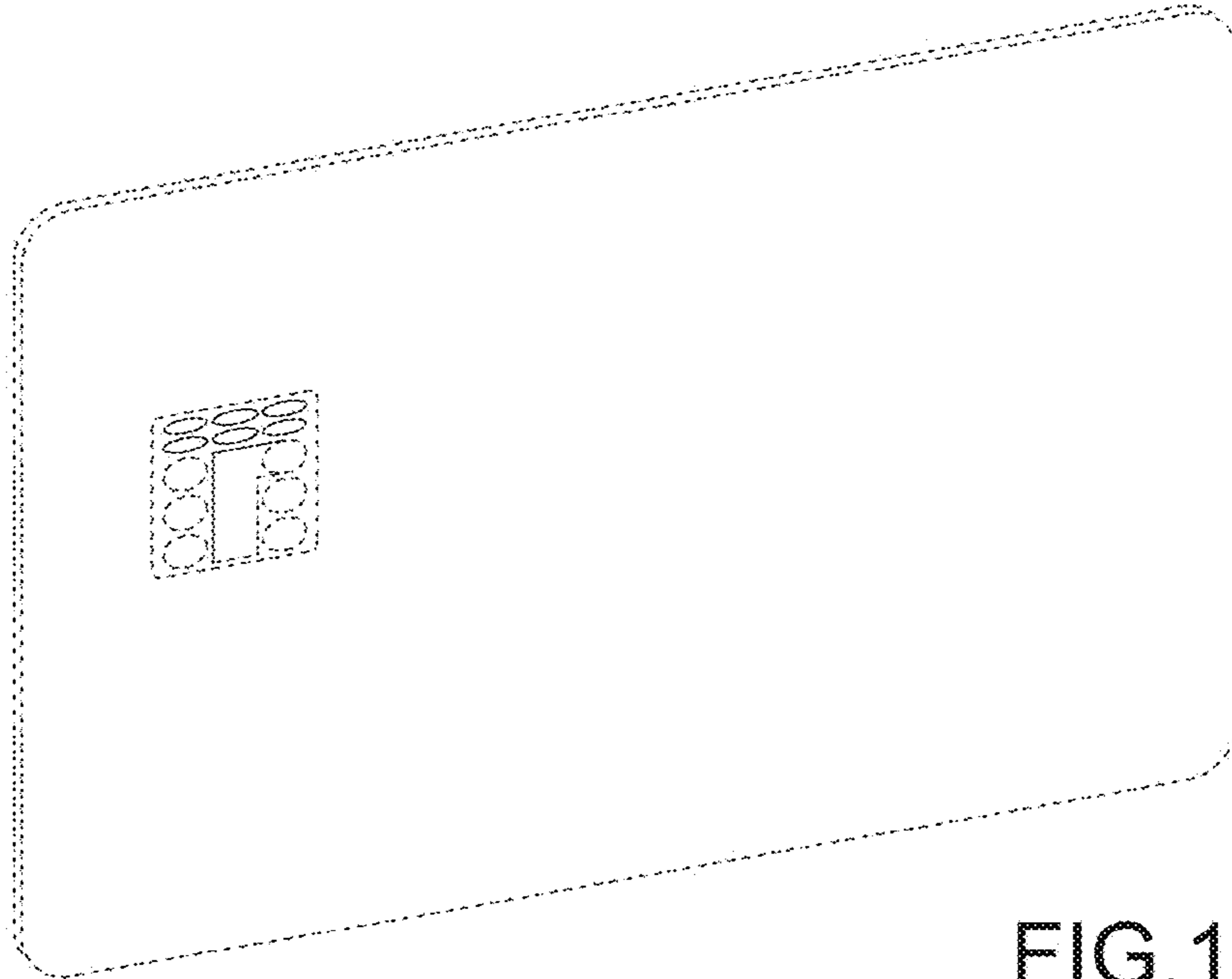


FIG. 1

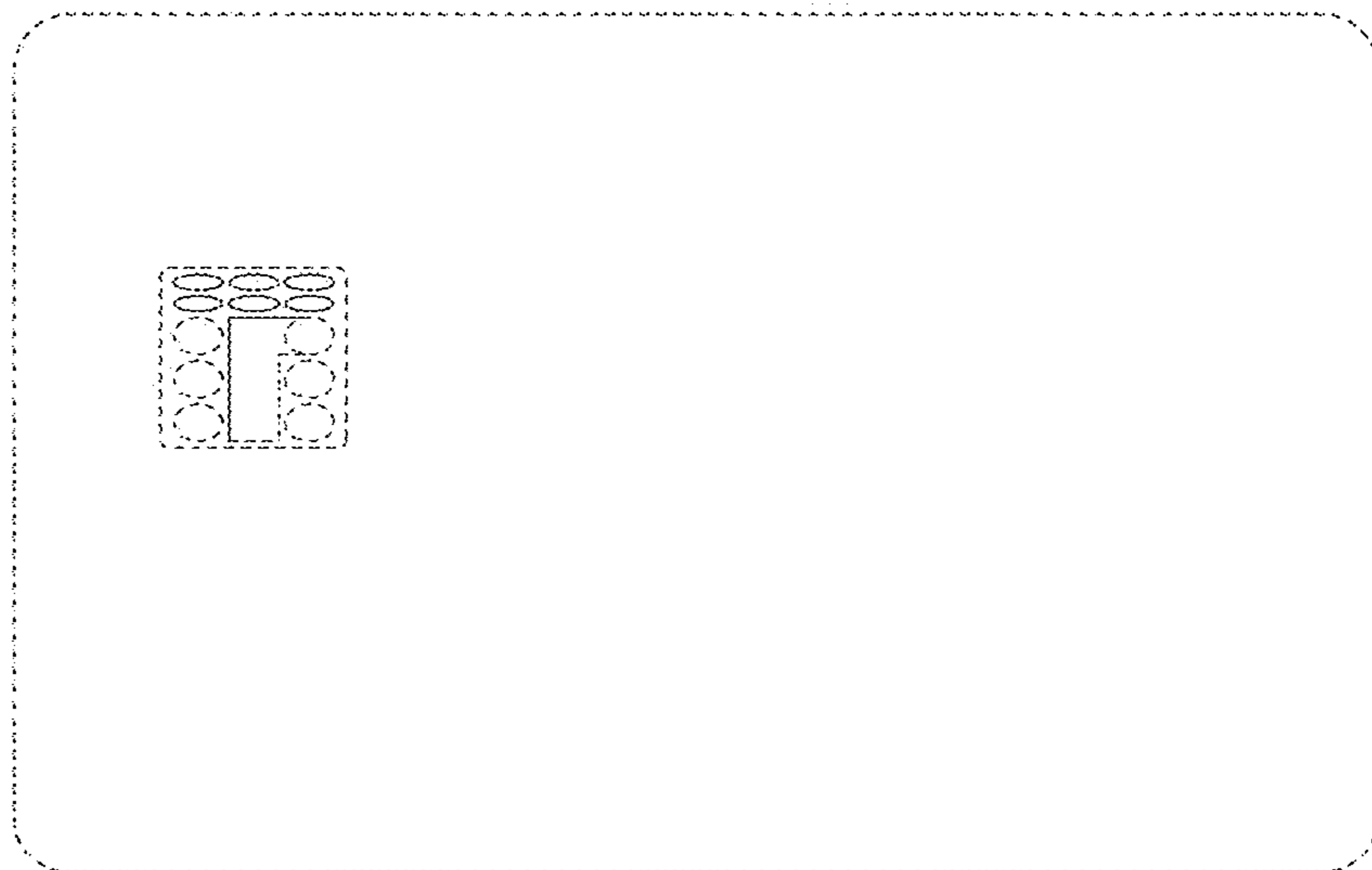


FIG. 2

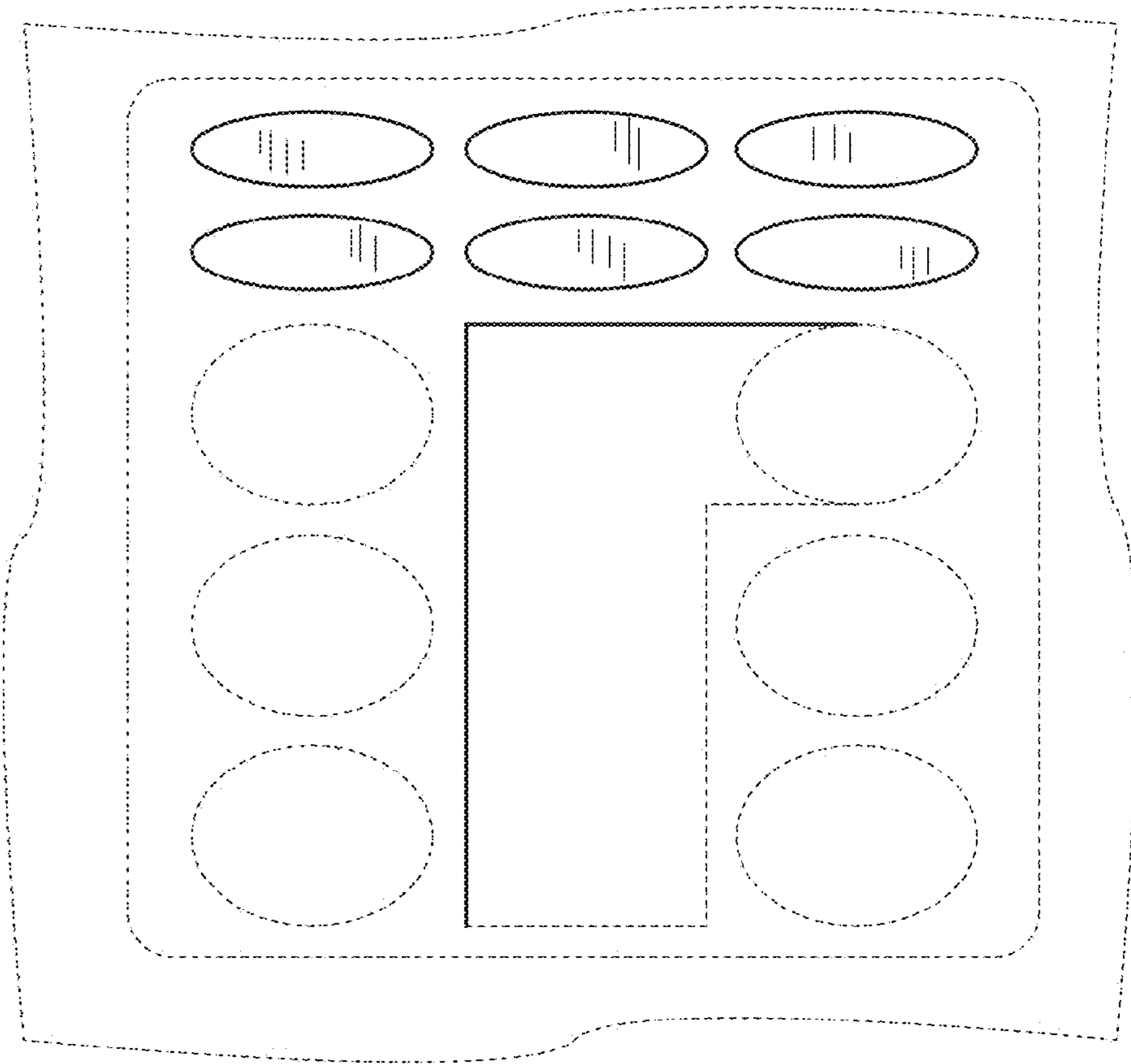


FIG.3