



US00D780762S

(12) **United States Design Patent** (10) **Patent No.:** **US D780,762 S**
Ju (45) **Date of Patent:** **** Mar. 7, 2017**

- (54) **DOCKING STATION OF PORTABLE COMPUTER**
- (71) Applicant: **GETAC TECHNOLOGY CORPORATION**, Hsinchu County (TW)
- (72) Inventor: **Shuan-Yeong Ju**, Taipei (TW)
- (73) Assignee: **Getac Technology Corporation**, Hsinchu County (TW)
- (**) Term: **15 Years**
- (21) Appl. No.: **29/552,394**
- (22) Filed: **Jan. 21, 2016**
- (51) **LOC (10) Cl.** **14-02**
- (52) **U.S. Cl.**
USPC **D14/434**
- (58) **Field of Classification Search**
USPC D14/434, 440, 447, 251-253, 432, 451, D14/452, 140, 142, 149, 217, 240, 299, D14/496; D13/103, 107, 108; D3/201, D3/215, 218
CPC G06F 1/1616; G06F 1/1626; G06F 1/1632; H01M 10/44; F16M 11/10; H02J 7/0042; H02J 7/00; H01R 31/065
See application file for complete search history.

(56) **References Cited**

U.S. PATENT DOCUMENTS

- D366,468 S * 1/1996 Ryan D14/434
- D376,585 S * 12/1996 Wathen D14/434
- 5,838,539 A * 11/1998 Doss G06F 1/1632
361/679.43
- D416,548 S * 11/1999 Sugano D14/434
- D420,651 S * 2/2000 Lee D14/434

- D421,424 S * 3/2000 Lee D14/434
 - D448,385 S * 9/2001 Oross D14/432
 - 6,667,881 B2 * 12/2003 Oross G06F 1/1632
361/679.4
 - D504,893 S * 5/2005 Araki D14/434
 - D554,582 S * 11/2007 Iseki D13/108
 - D561,186 S * 2/2008 Kawase D14/434
 - 7,359,185 B2 * 4/2008 Hiroyoshi G06F 1/1632
312/223.3
 - D585,897 S * 2/2009 Carnevali D14/434
- (Continued)

OTHER PUBLICATIONS

Docking-Station. (Design-© Questel). orbit.com. [online PDF] 23 pages. Print Date Feb. 26, 2016. [retrieved on Dec. 18, 2016] <https://sobjprd.questel.fr/export/QPTUJ214/pdf2/eebfb6d9-d4f6-4650-84b9-28644006256d-181042.pdf>.*

Primary Examiner — Susan Bennett Hattan
Assistant Examiner — Marie Fast Horse

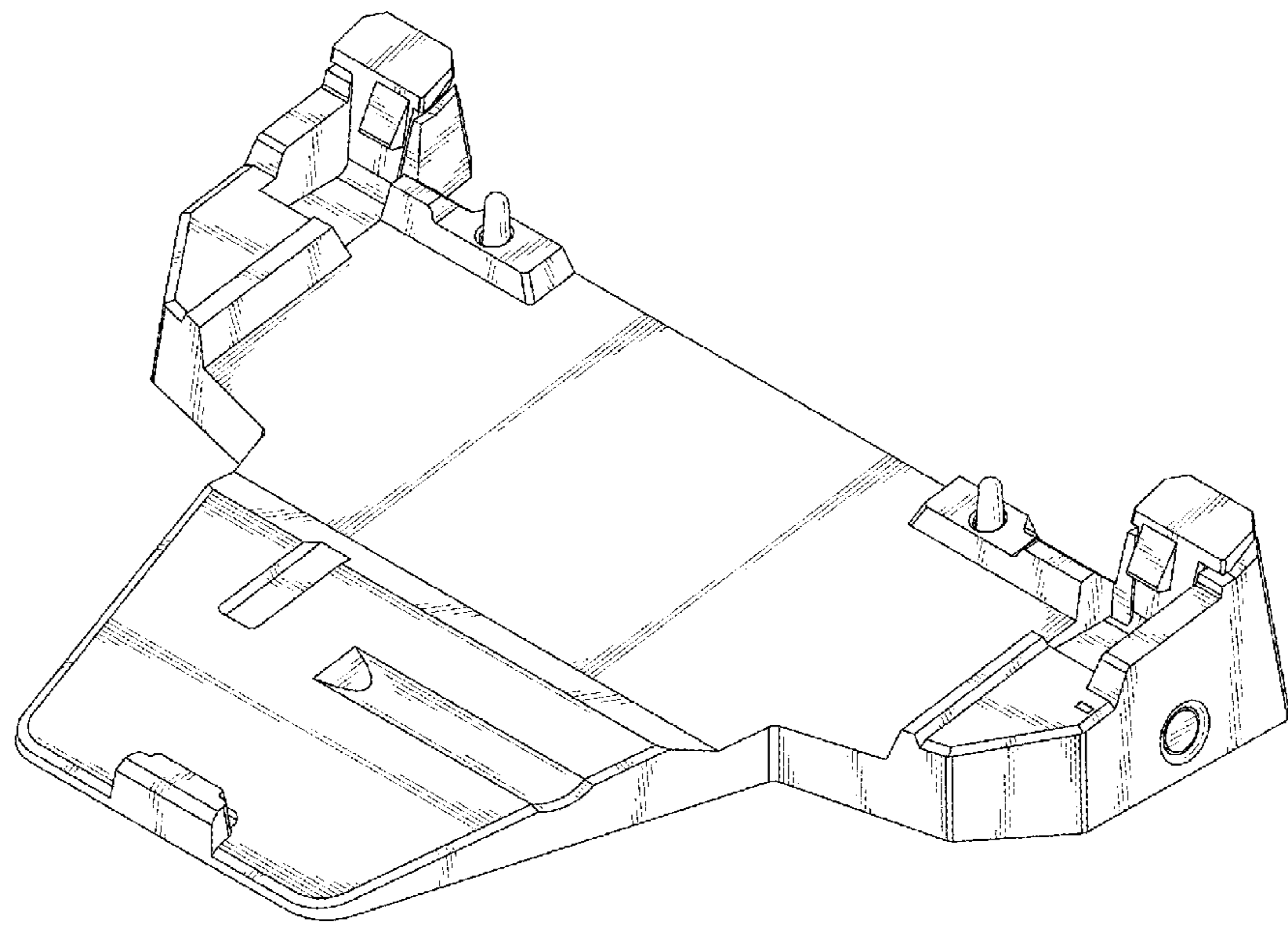
(57) **CLAIM**

The ornamental design for a docking station of portable computer, as shown and described.

DESCRIPTION

FIG. 1 is a front top right perspective view of a docking station of portable computer showing my new design; FIG. 2 is a rear bottom left perspective view thereof of my new design; FIG. 3 is a front view thereof of my new design; FIG. 4 is a rear view thereof of my new design; FIG. 5 is a left side view thereof of my new design; FIG. 6 is a right side view thereof of my new design; FIG. 7 is a top view thereof of my new design; and, FIG. 8 is a bottom view thereof of my new design.

1 Claim, 6 Drawing Sheets



(56)

References Cited

U.S. PATENT DOCUMENTS

D633,040 S * 2/2011 Le D13/108
7,911,779 B1 * 3/2011 Tarnoff G06F 1/1626
361/679.4
D655,351 S * 3/2012 Zenri D21/333
D656,555 S * 3/2012 Zenri D21/333
8,185,681 B2 * 5/2012 Downing G06F 1/1632
361/679.41
D675,212 S * 1/2013 Chen D14/447
D692,437 S * 10/2013 Sugino D14/447
D730,905 S * 6/2015 Li D14/434
D732,036 S * 6/2015 Lee D14/434
D742,885 S * 11/2015 Chen D14/434
2014/0153162 A1 * 6/2014 Kim G06F 1/1616
361/679.01

* cited by examiner

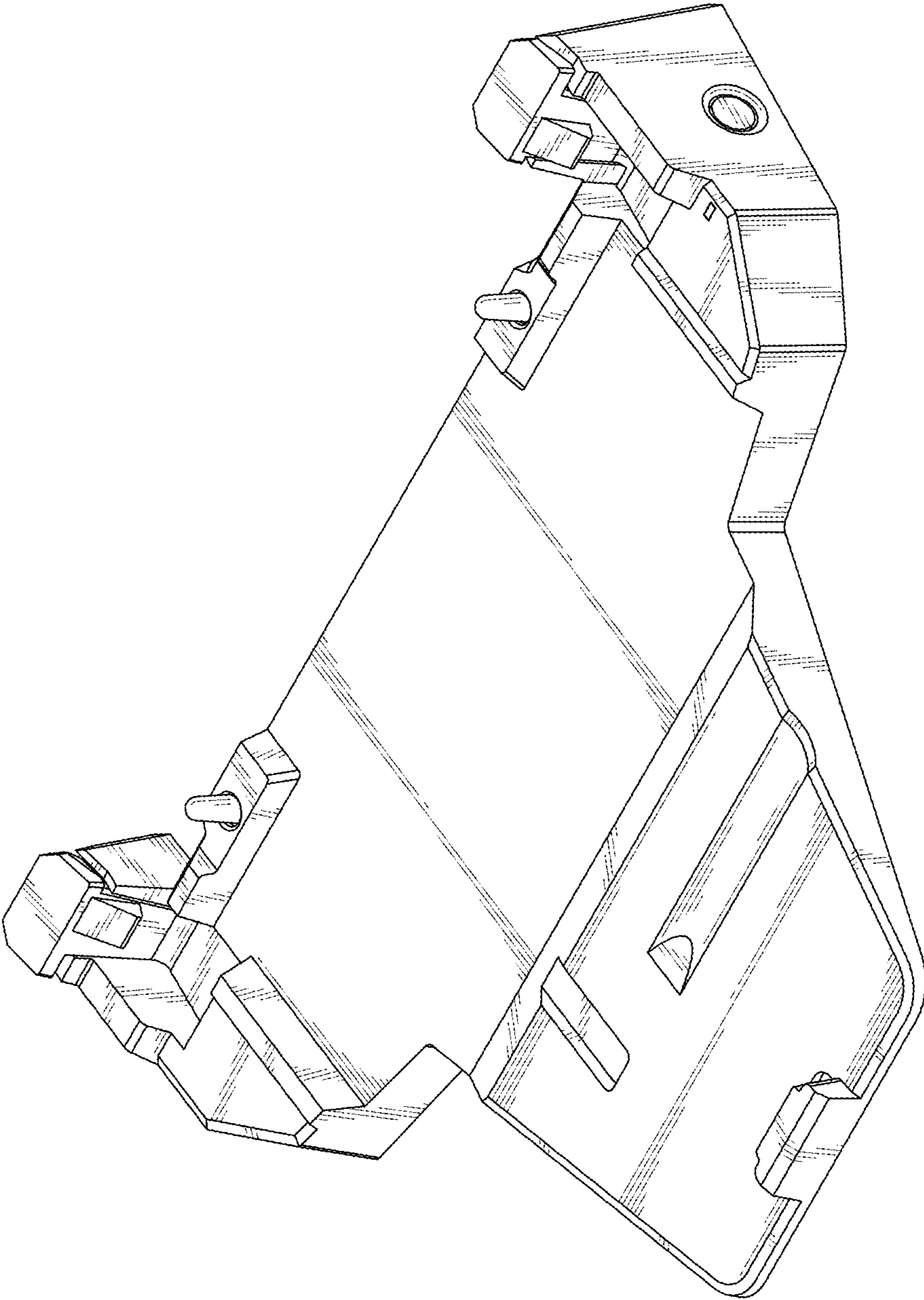


FIG. 1

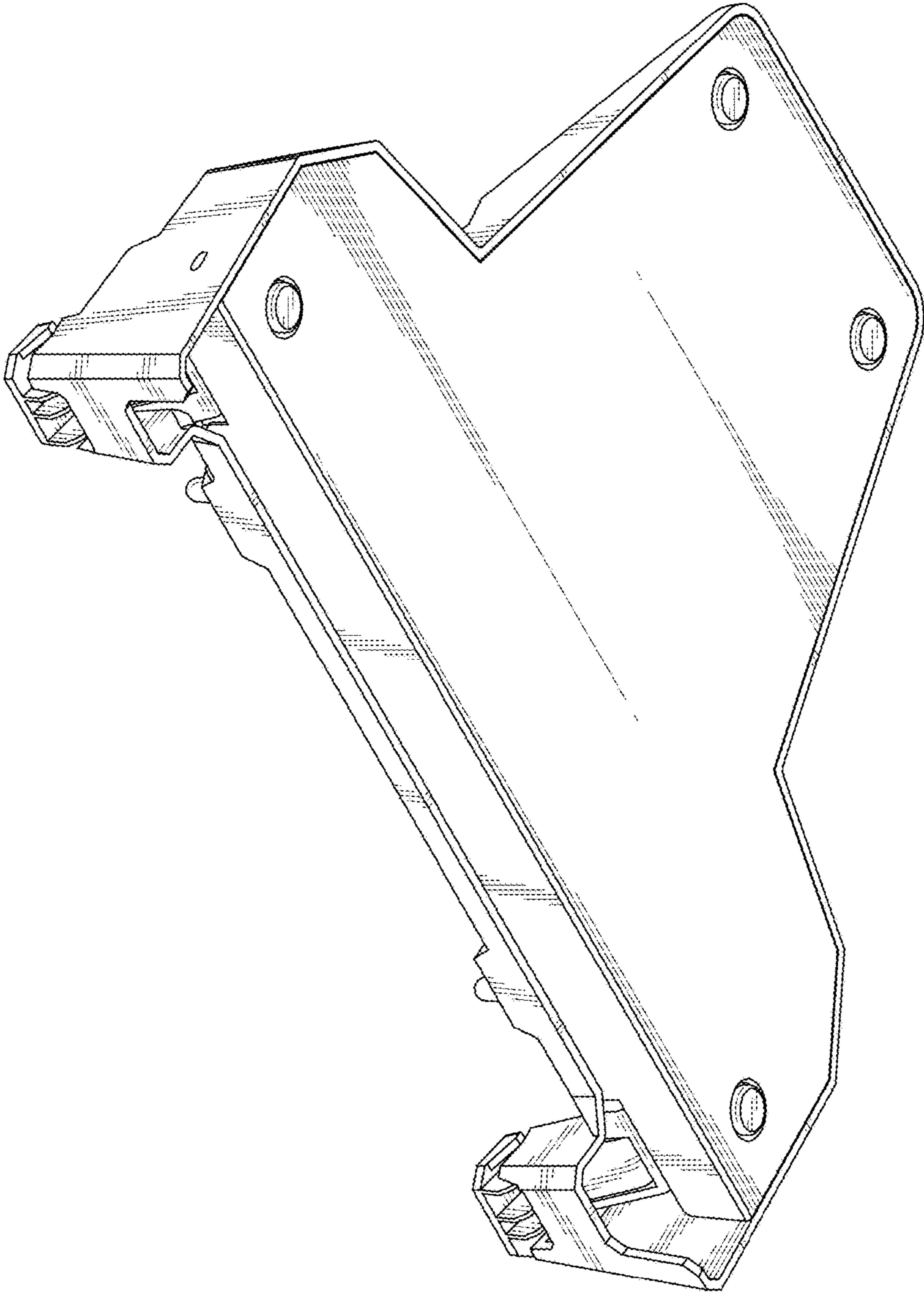


FIG. 2

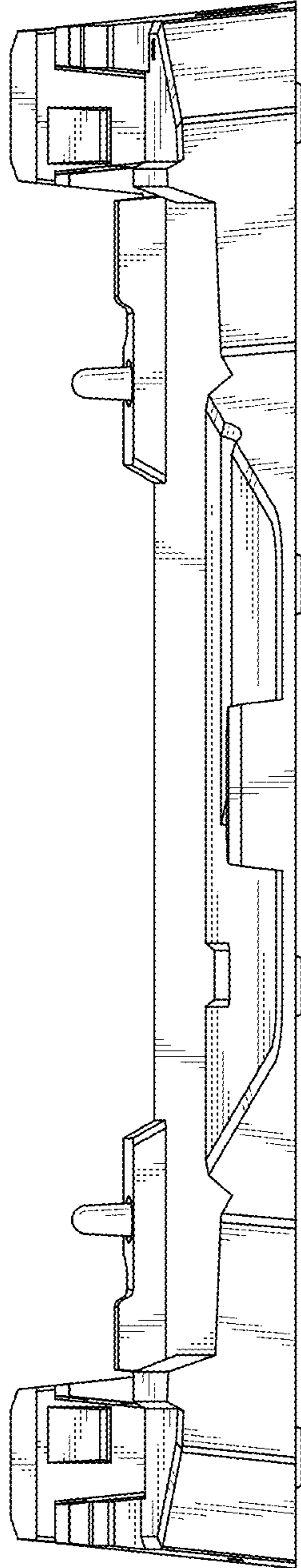


FIG. 3

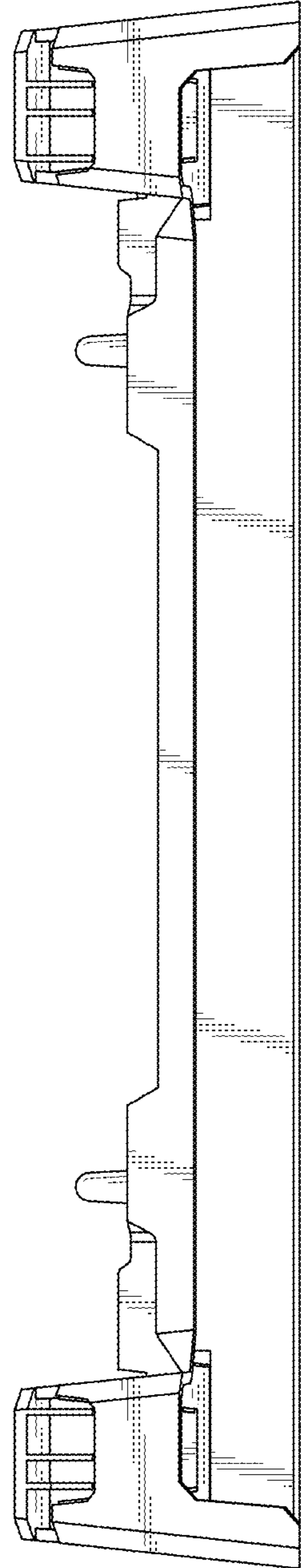


FIG. 4

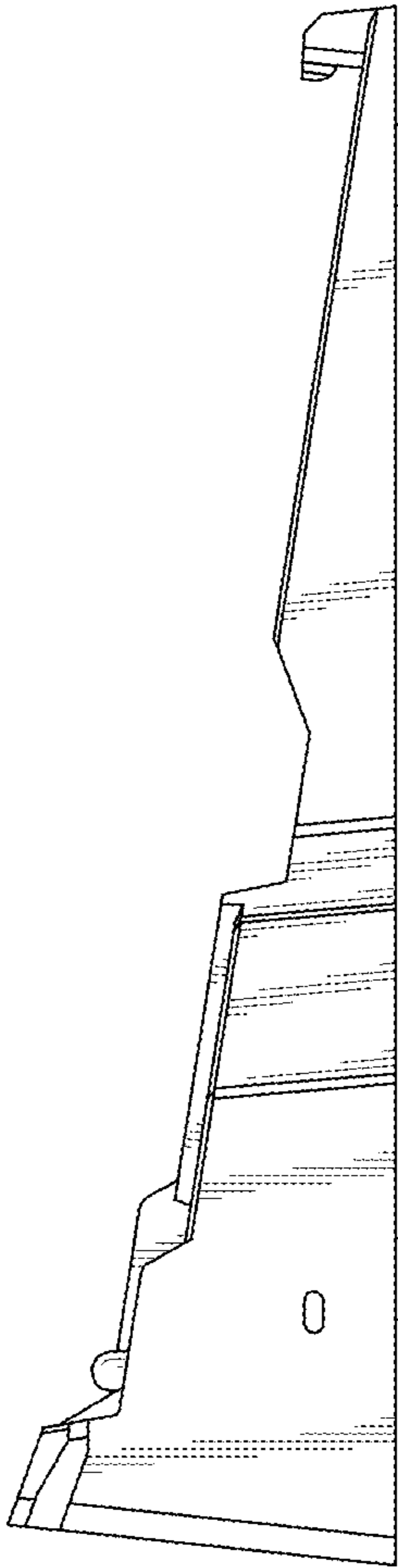


FIG. 5

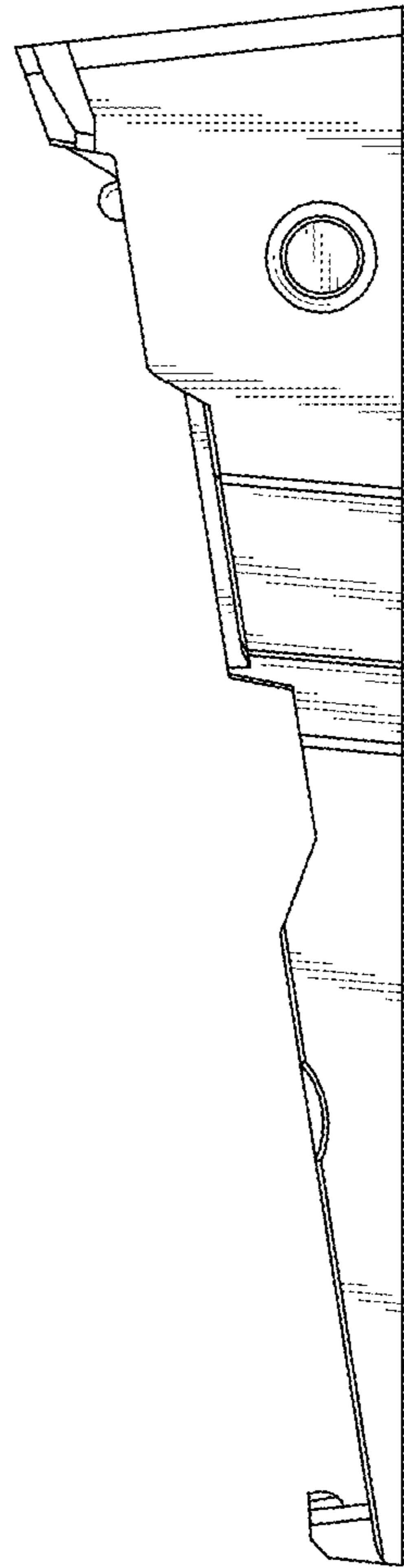


FIG. 6

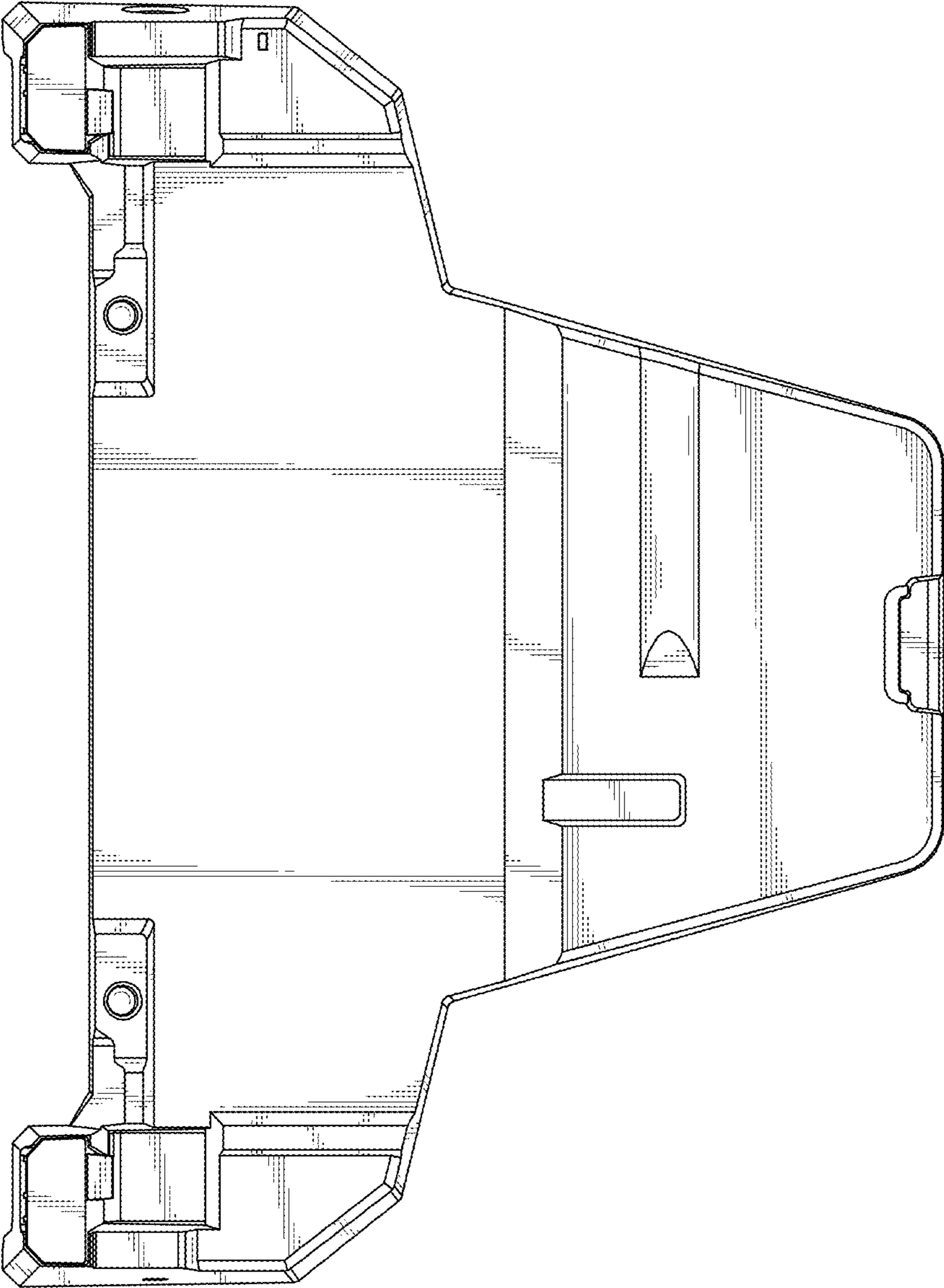


FIG. 7

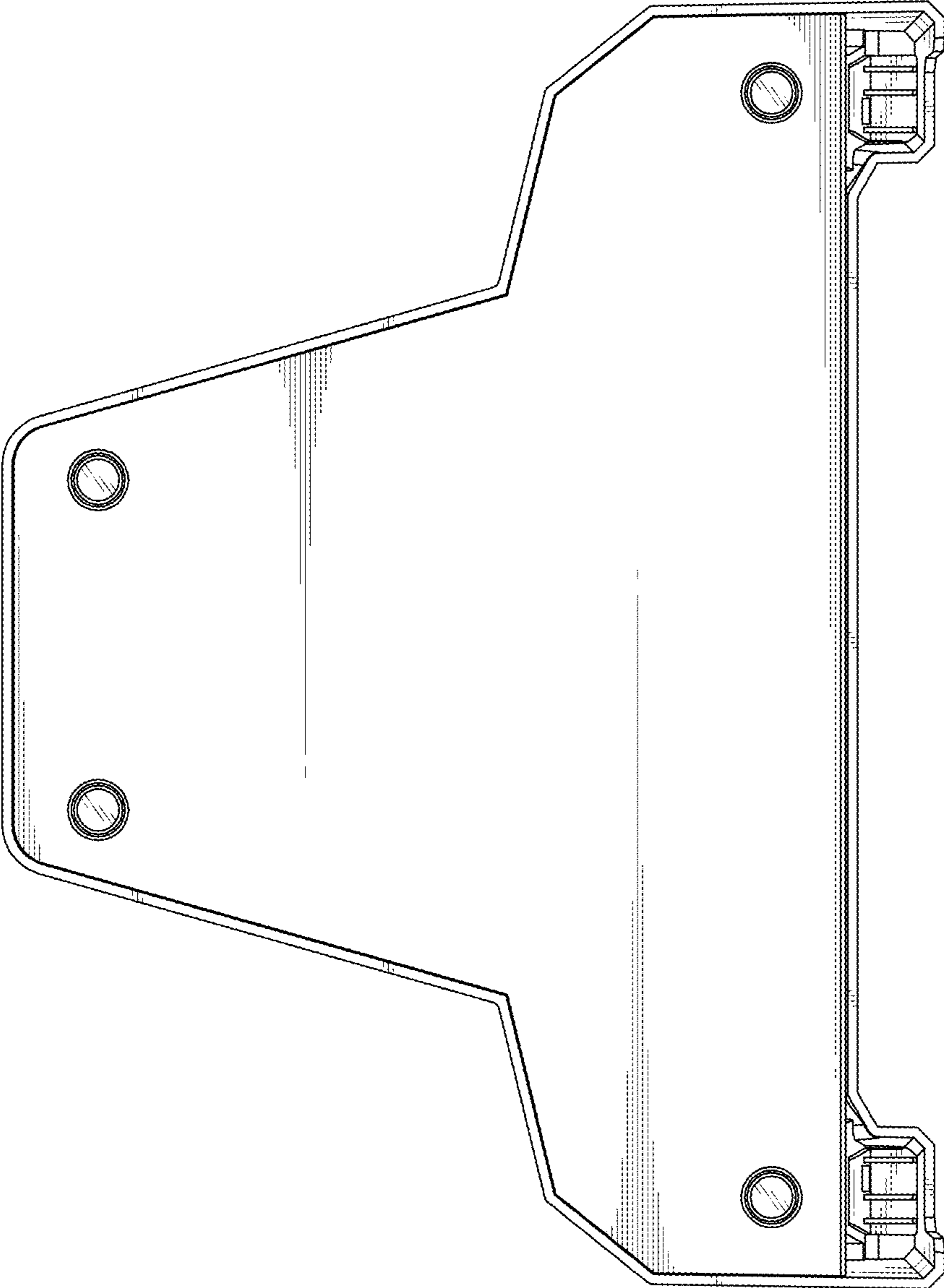


FIG. 8