



US00D780756S

(12) **United States Design Patent**
Crisp et al.

(10) **Patent No.:** **US D780,756 S**
(45) **Date of Patent:** **** Mar. 7, 2017**

(54) **KEYBOARD**

(71) Applicant: **Logitech Europe S.A.**, Lausanne (CH)

(72) Inventors: **Thomas Crisp**, San Francisco, CA (US); **Grayson Stopp**, San Francisco, CA (US); **Ara Acle**, San Francisco, CA (US); **Mark Starrett**, Fremont, CA (US); **Nai Hsiang Mah**, Hsinchu (TW)

(73) Assignee: **Logitech Europe S.A.**, Lausanne (CH)

(**) Term: **15 Years**

(21) Appl. No.: **29/539,698**

(22) Filed: **Sep. 16, 2015**

(51) **LOC (10) Cl.** **14-02**

(52) **U.S. Cl.**
USPC **D14/391; D14/398**

(58) **Field of Classification Search**
USPC D14/391–399, 455, 456; D18/1, 2, 7, 11; 178/17 A, 17 C; 200/5 A, 5 R, 6 A, 6 R; 235/145 A, 145 R; 341/20–23; 345/156, 345/160, 168, 169, 173; 361/679.08, 361/679.09, 679.11–679.19; 400/484–489, 492, 472
CPC G06F 1/16; G06F 1/1616; G06F 1/162; G06F 1/1601; G06F 1/1626; G06F 3/0202; G09B 13/04; H03M 11/00; H03K 17/94; H05K 5/00; H01H 3/125; H01H 13/705; B41J 5/08

See application file for complete search history.

(56) **References Cited**

U.S. PATENT DOCUMENTS

D503,936 S * 4/2005 Tritschler D14/398
7,116,312 B2 * 10/2006 Ho G06F 3/0202
345/157
D558,203 S * 12/2007 Liang D14/398

* cited by examiner

Primary Examiner — Freda S Nunn

(74) *Attorney, Agent, or Firm* — Kilpatrick Townsend & Stockton LLP

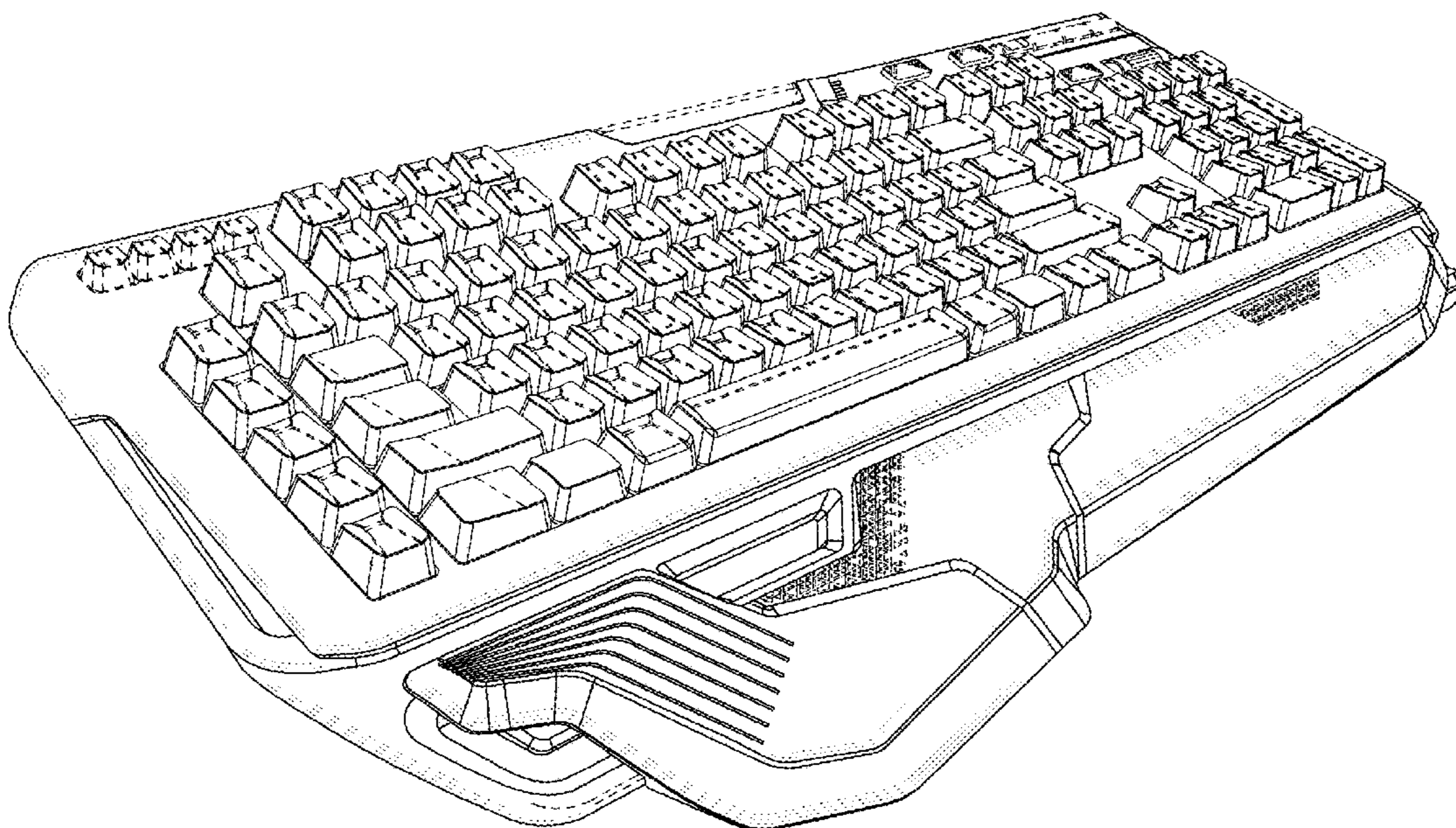
(57) **CLAIM**

The ornamental design for keyboard, as shown and described.

DESCRIPTION

FIG. 1 is a perspective view of keyboard showing our new design;
FIG. 2 is a top view thereof;
FIG. 3 is a bottom view thereof;
FIG. 4 is a front view thereof;
FIG. 5 is a back view thereof;
FIG. 6 is a left view thereof; and,
FIG. 7 is a right view thereof.
Broken lines shown in the drawings are for environment only and form no part of the claimed design.

1 Claim, 5 Drawing Sheets



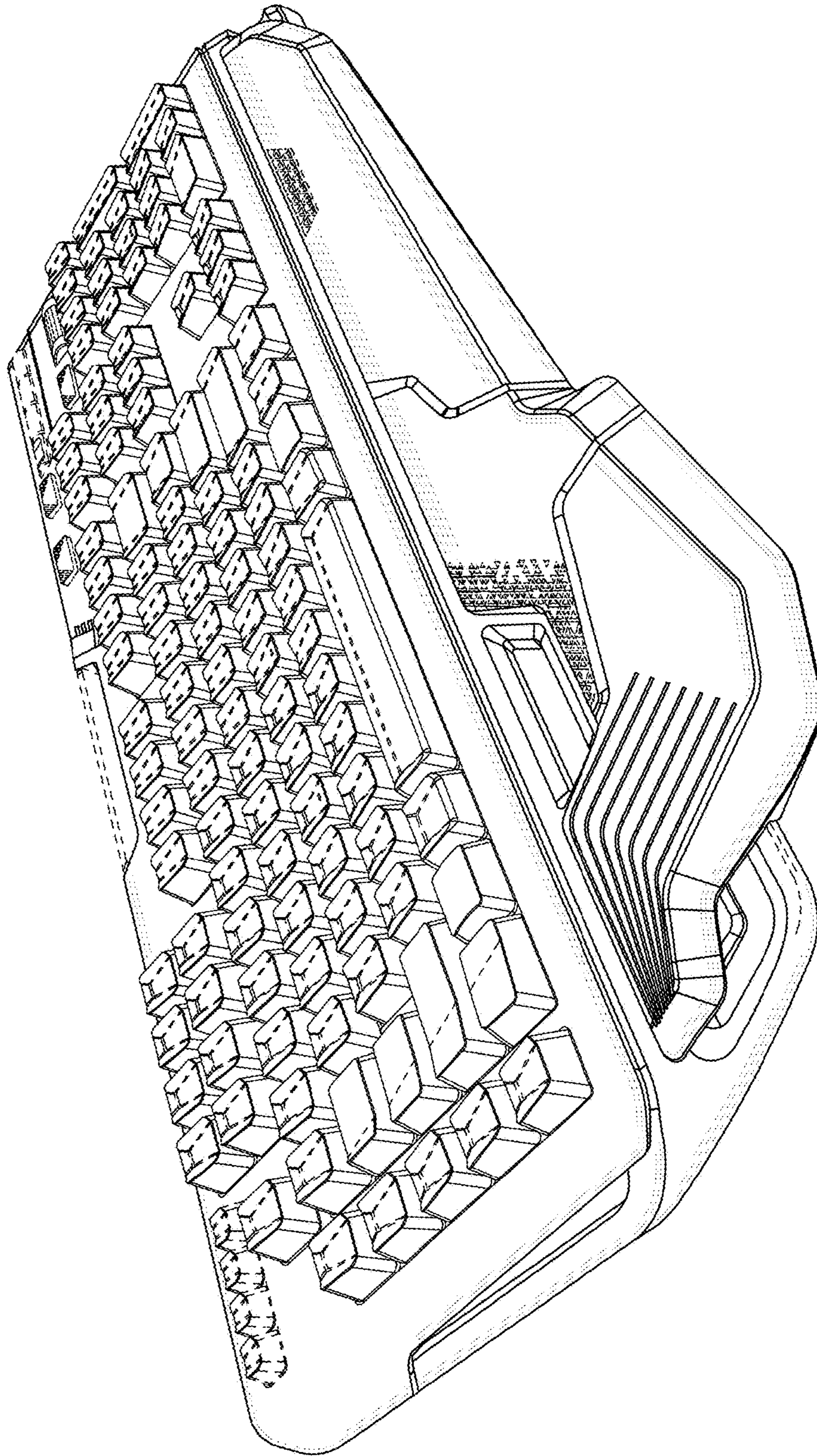


FIG. 1

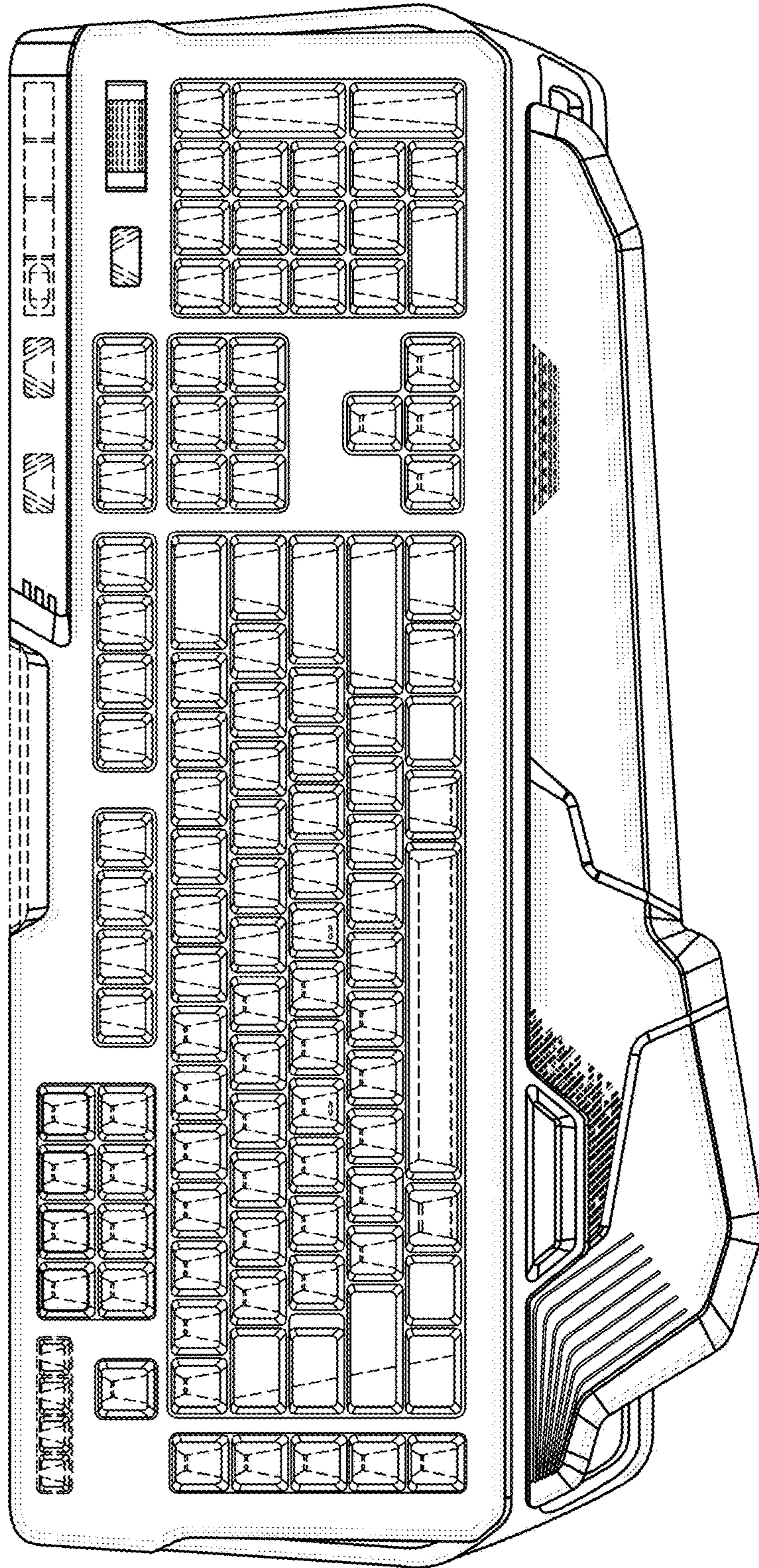


FIG. 2

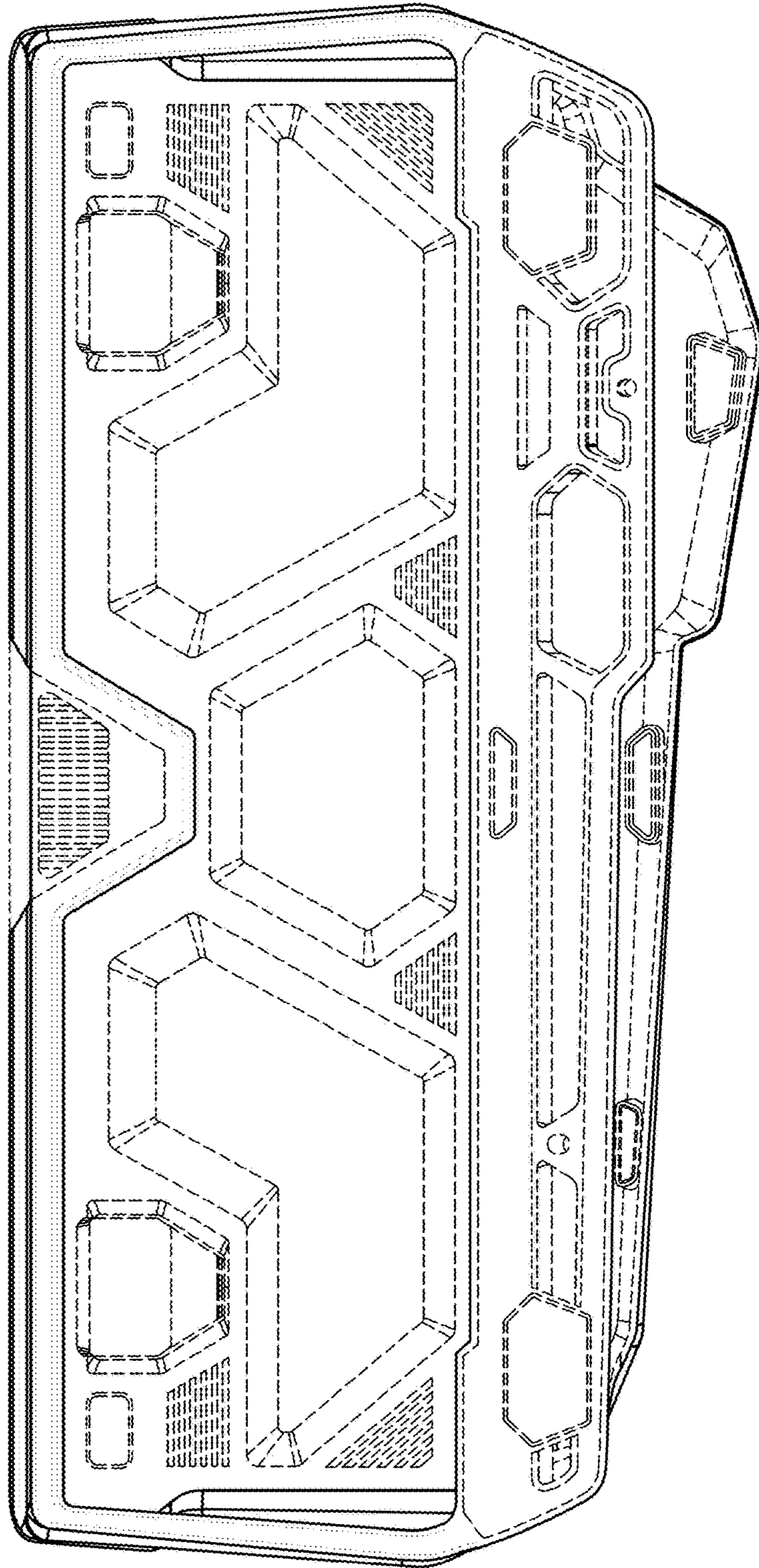


FIG. 3

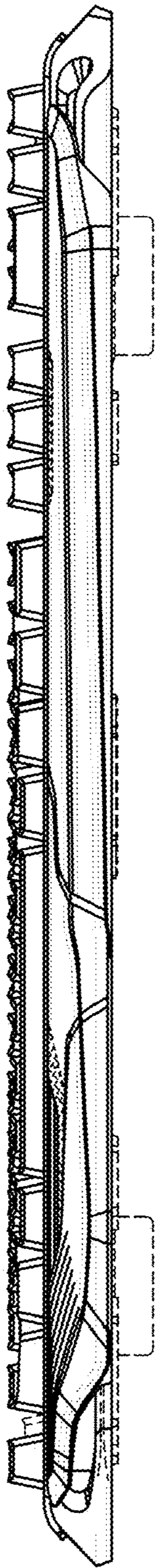


FIG. 4

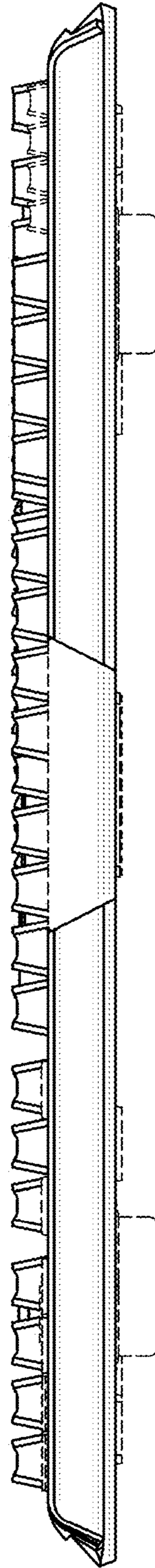


FIG. 5

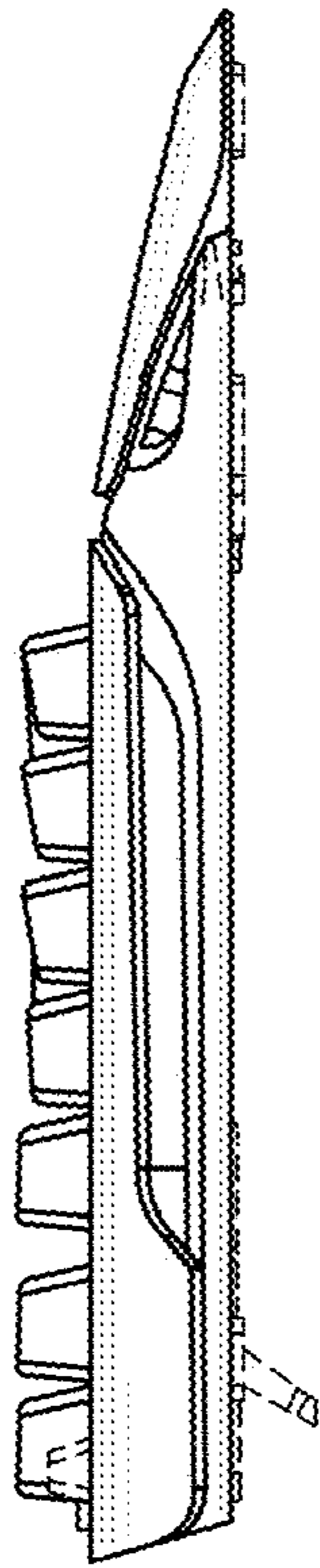


FIG. 6

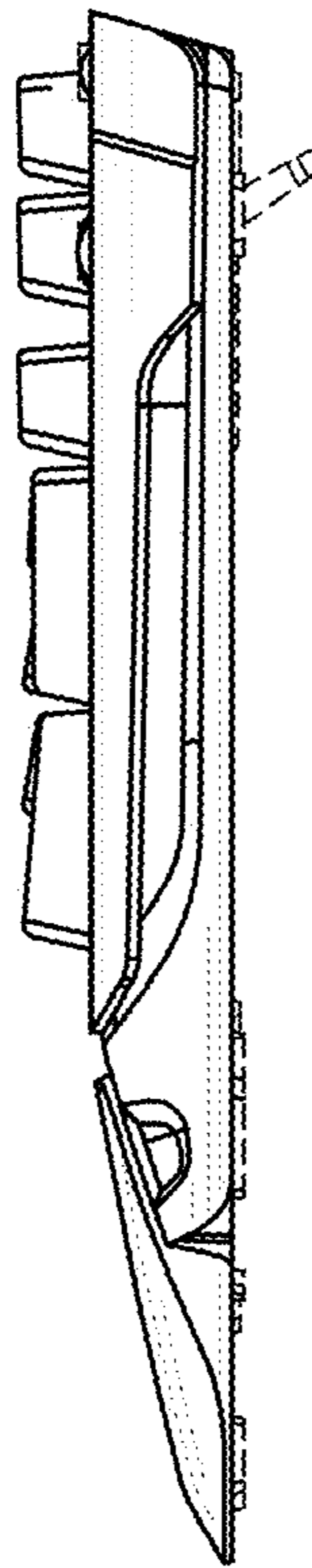


FIG. 7