



US00D780753S

(12) **United States Design Patent**  
**Park et al.**

(10) **Patent No.:** **US D780,753 S**  
(45) **Date of Patent:** **\*\* Mar. 7, 2017**

(54) **HEAD MOUNT DISPLAY**

(71) Applicant: **LG ELECTRONICS INC.**, Seoul (KR)

(72) Inventors: **Seala Park**, Seoul (KR); **Dongsoon Kim**, Seoul (KR); **Seungyup Lee**, Seoul (KR); **Hyunchul Kim**, Seoul (KR)

(73) Assignee: **LG ELECTRONICS INC.**, Seoul (KR)

(\*\*) Term: **15 Years**

(21) Appl. No.: **29/551,306**

(22) Filed: **Jan. 12, 2016**

(30) **Foreign Application Priority Data**

Jul. 13, 2015 (KR) ..... 30-2015-0035164

(51) **LOC (10) Cl.** ..... **14-02**

(52) **U.S. Cl.**  
USPC ..... **D14/372**

(58) **Field of Classification Search**  
USPC ..... D14/372, 496, 432, 371, 125, 126, 129, D14/299; D16/300-342; 351/158, 153, 351/144; 345/7-9, 905; 455/344; 348/115, 348/53, 121, 739  
CPC ..... G02B 27/017; G02B 27/0158; G02B 27/0161; G02B 27/0181; G02B 27/0185; G02B 27/0189

See application file for complete search history.

(56) **References Cited**

**U.S. PATENT DOCUMENTS**

D390,552 S \* 2/1998 Ronzani ..... D14/372  
D517,066 S \* 3/2006 Travers ..... D14/372

D727,896 S \* 4/2015 Laluque ..... D14/372  
D736,771 S \* 8/2015 West ..... D14/372  
D741,327 S \* 10/2015 Reznik ..... D14/372  
D749,580 S \* 2/2016 Kim ..... D14/372  
D752,680 S \* 3/2016 Kim ..... D14/372  
D753,112 S \* 4/2016 Fei ..... D14/372  
D753,113 S \* 4/2016 Fei ..... D14/372  
D759,655 S \* 6/2016 Sullivan ..... D14/372  
D761,257 S \* 7/2016 Passmore ..... D14/372  
D764,465 S \* 8/2016 Clement ..... D14/372

\* cited by examiner

*Primary Examiner* — Austin Murphy

(74) *Attorney, Agent, or Firm* — Birch, Stewart, Kolasch & Birch, LLP

(57) **CLAIM**

The ornamental design for a head mount display, as shown and described.

**DESCRIPTION**

FIG. 1 is a front perspective view of a head mount display showing our new design;  
FIG. 2 is a front view thereof;  
FIG. 3 is a rear view thereof;  
FIG. 4 is a left side view thereof;  
FIG. 5 is a right side view thereof;  
FIG. 6 is a top plan view thereof;  
FIG. 7 is a bottom plan view thereof;  
FIG. 8 is a rear perspective view thereof; and,  
FIG. 9 is a reference view thereof showing an example of the usage of the subject design in which the user wears the subject design.

The broken lines depict portions of the head mount display that loan no part of the claimed design.

**1 Claim, 9 Drawing Sheets**

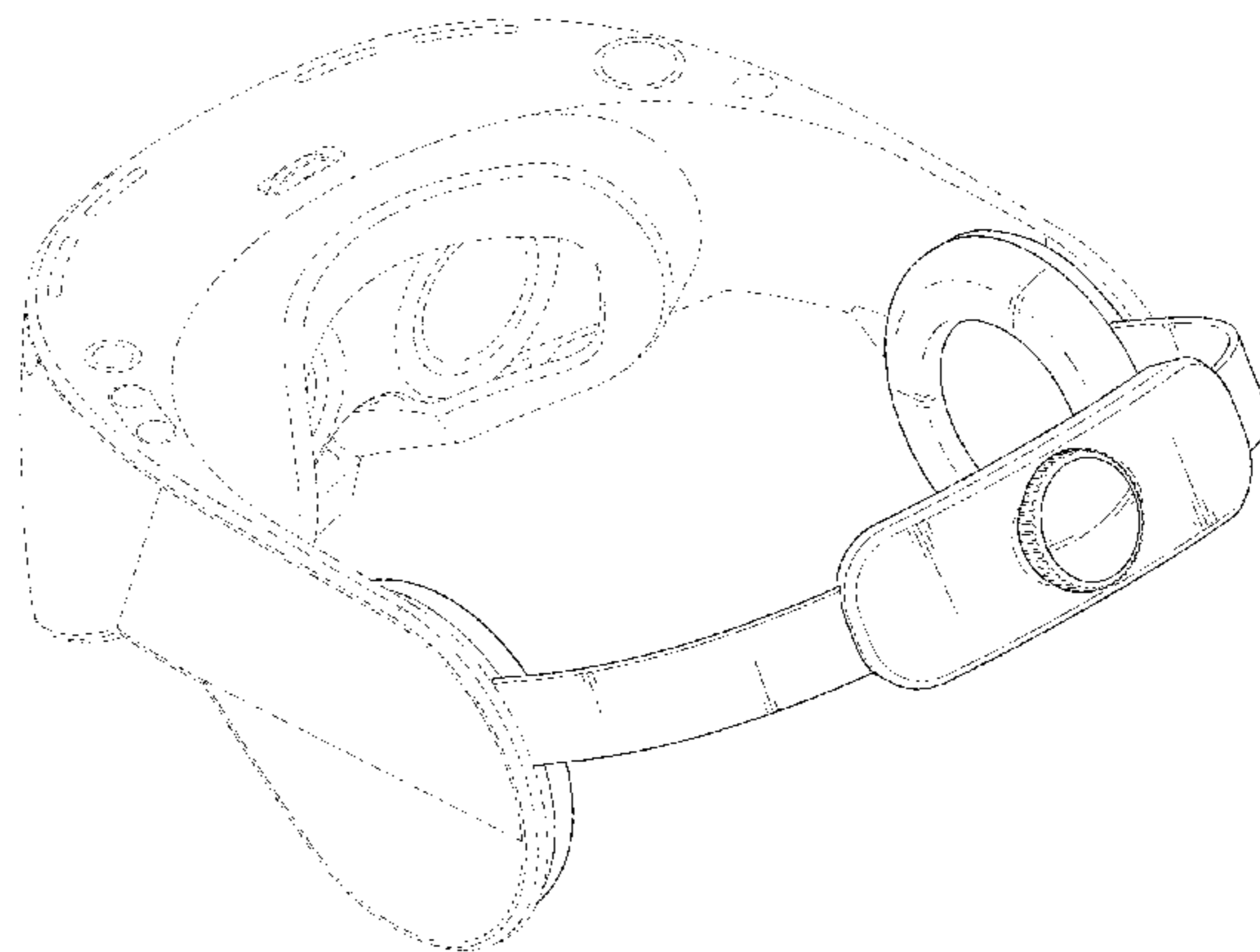
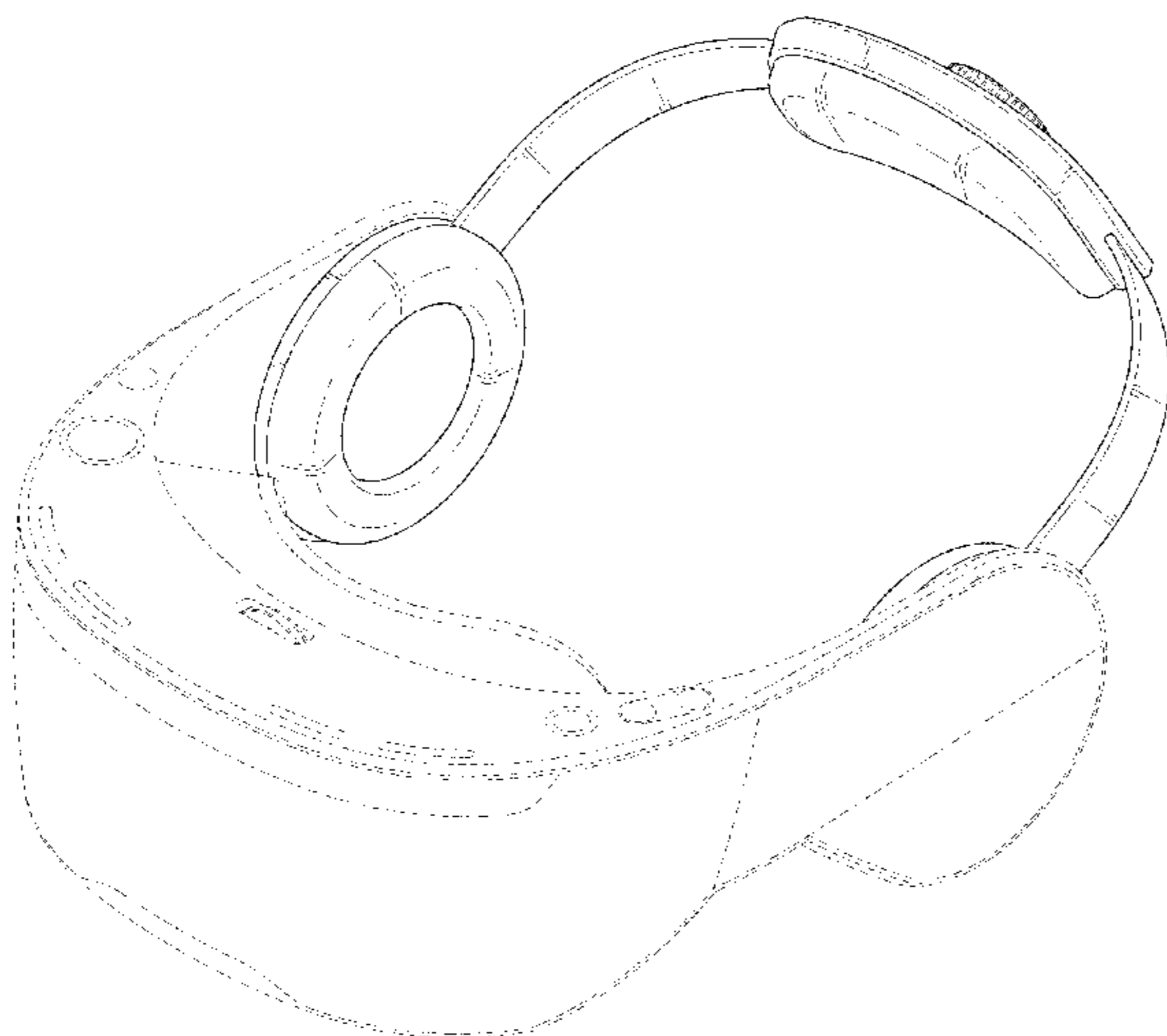


FIG. 1

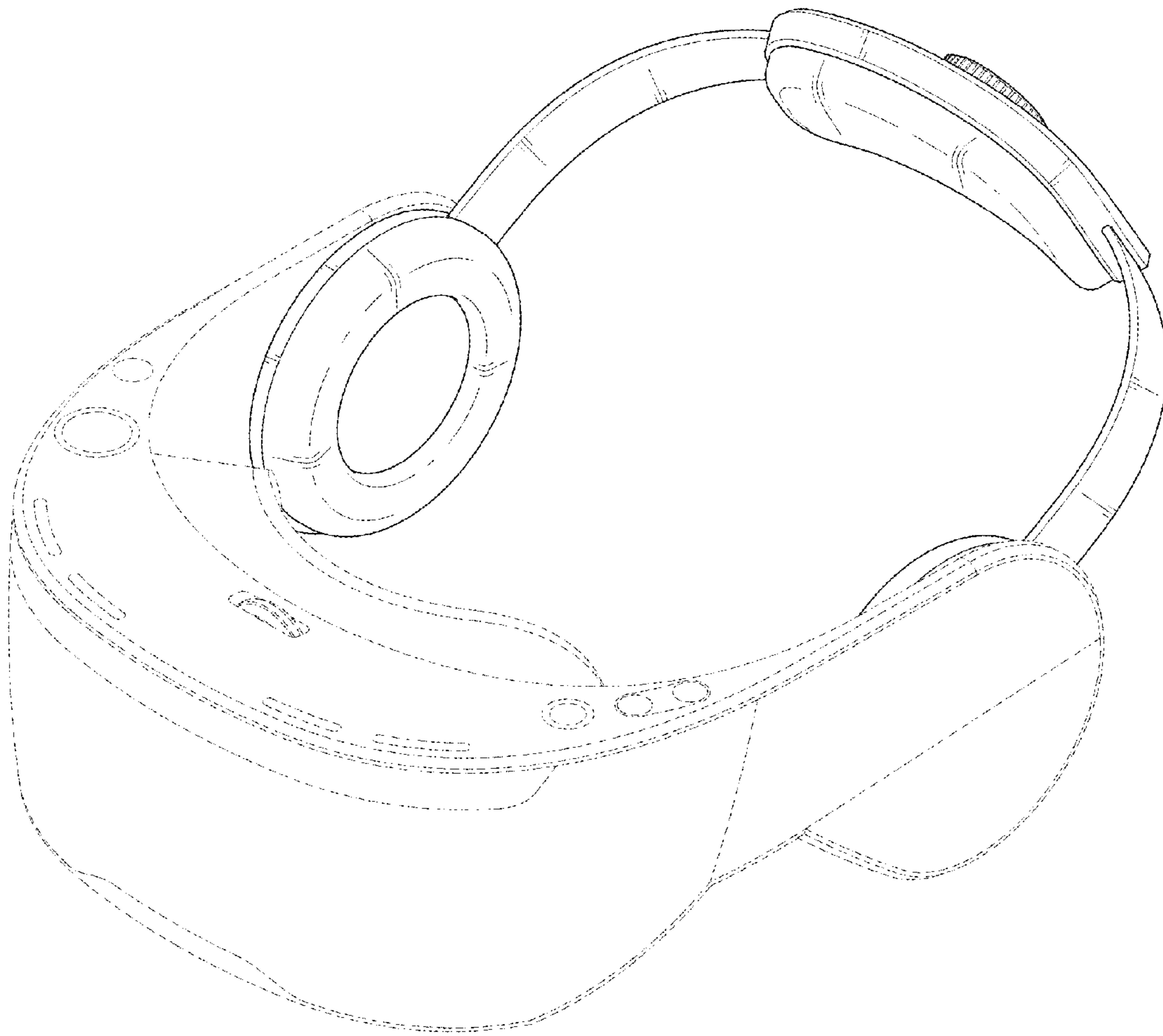


FIG. 2

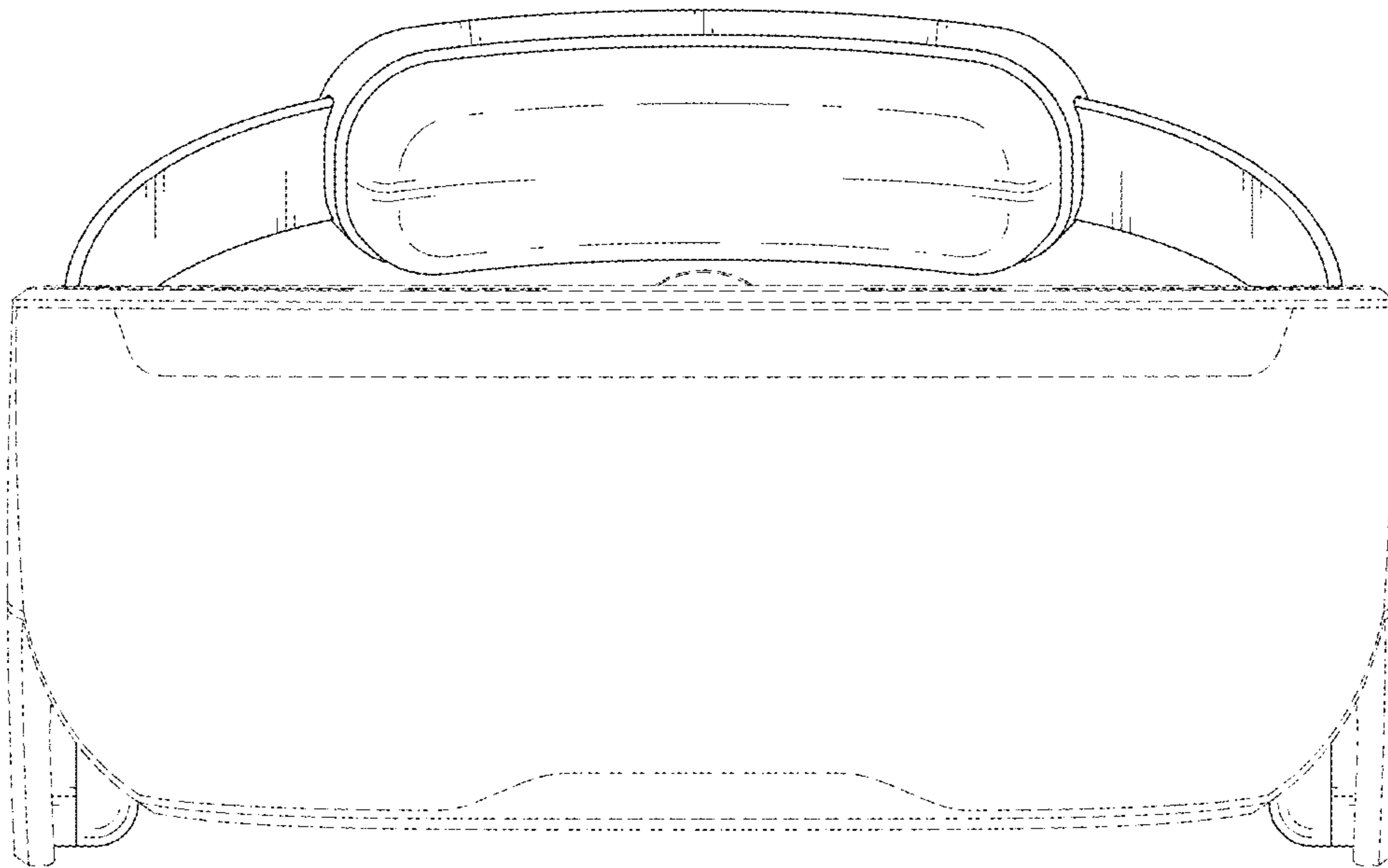


FIG. 3

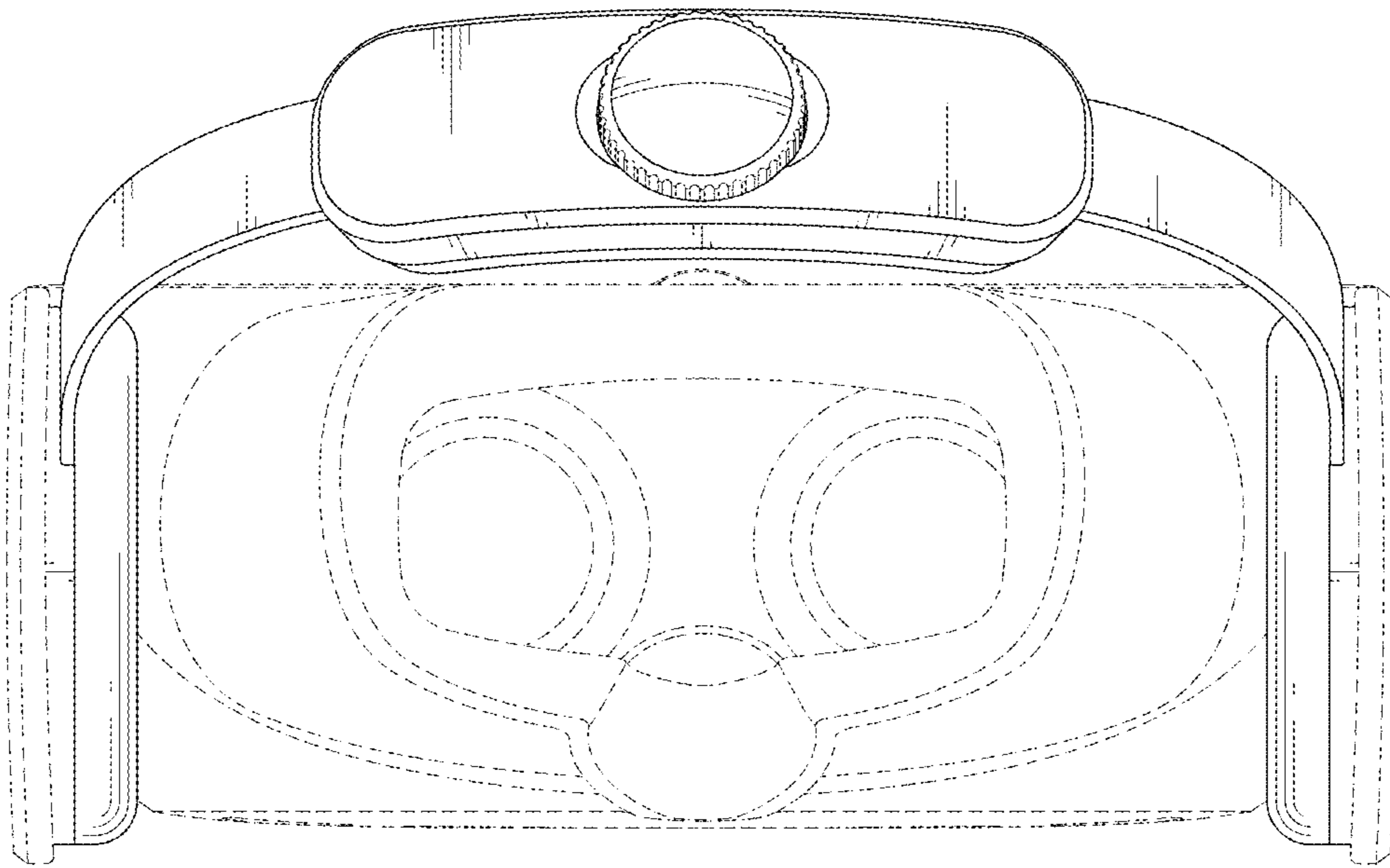


FIG. 4

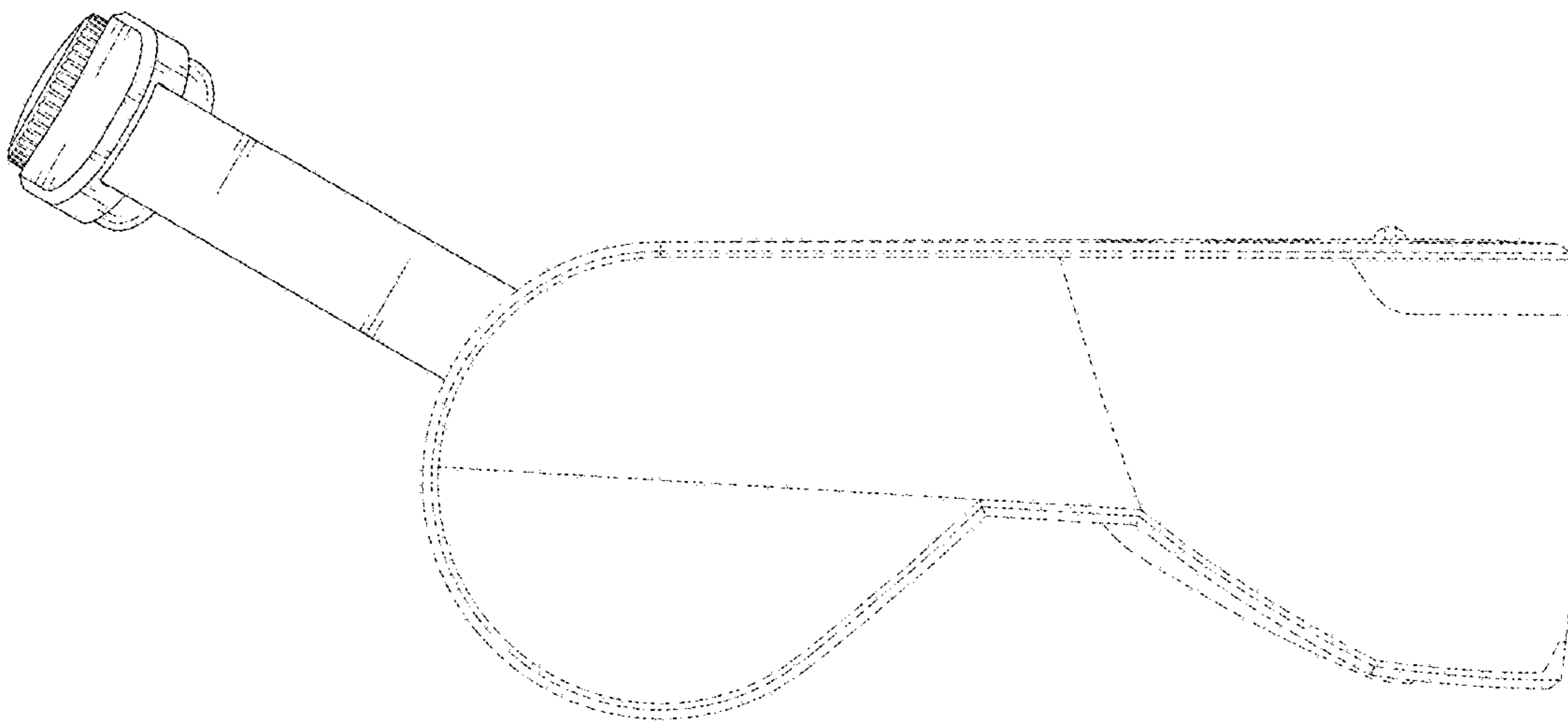


FIG. 5

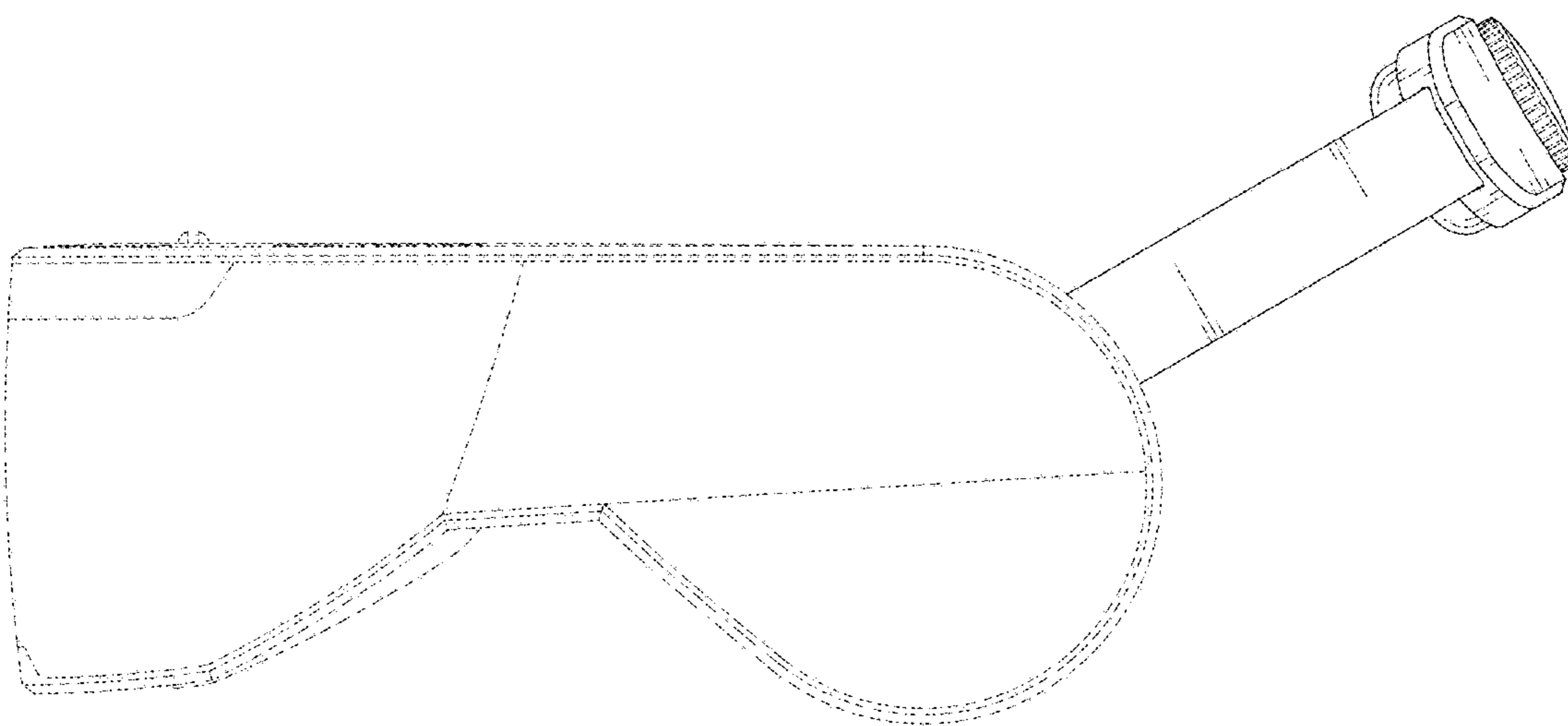


FIG. 6

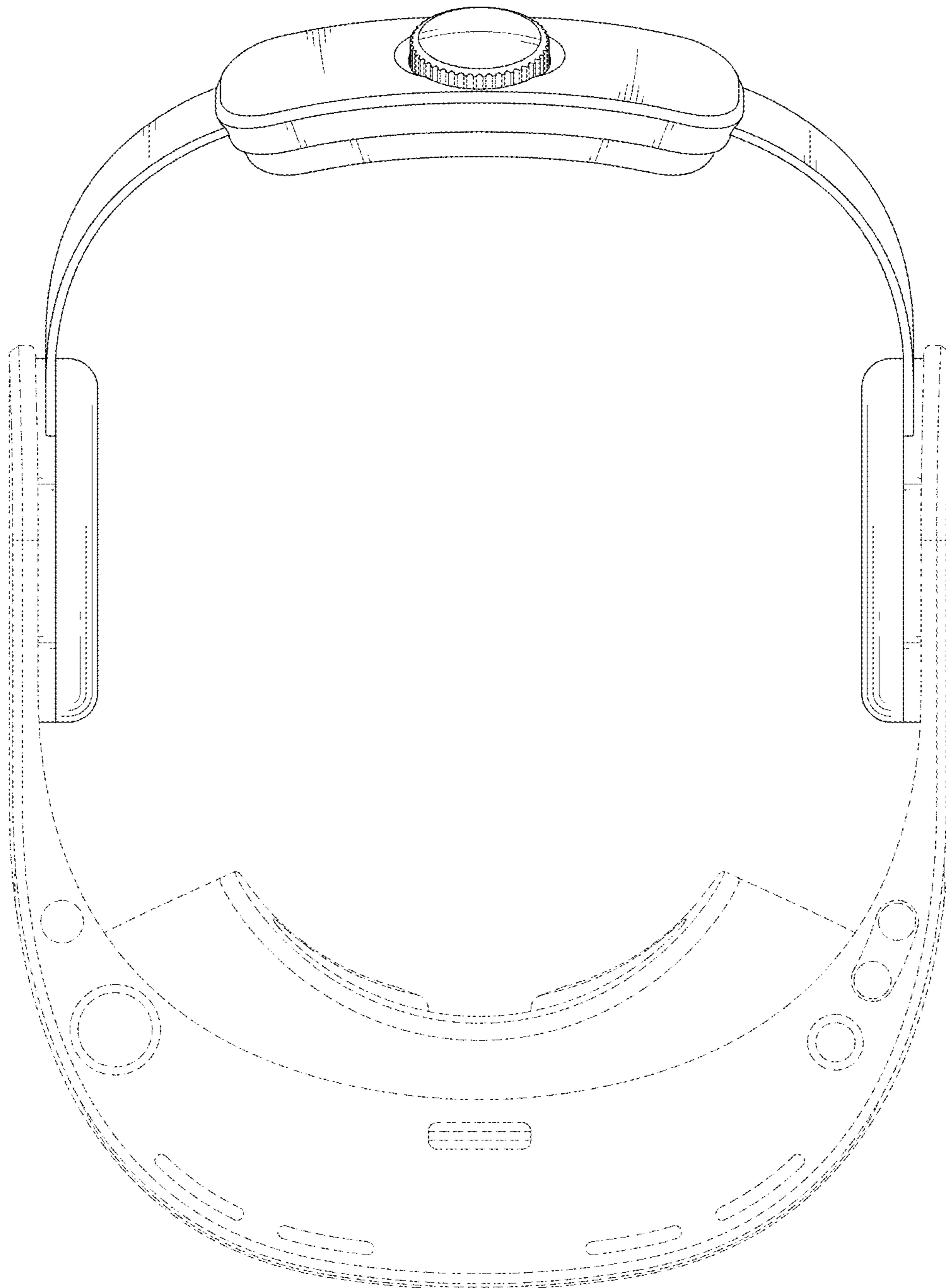


FIG. 7

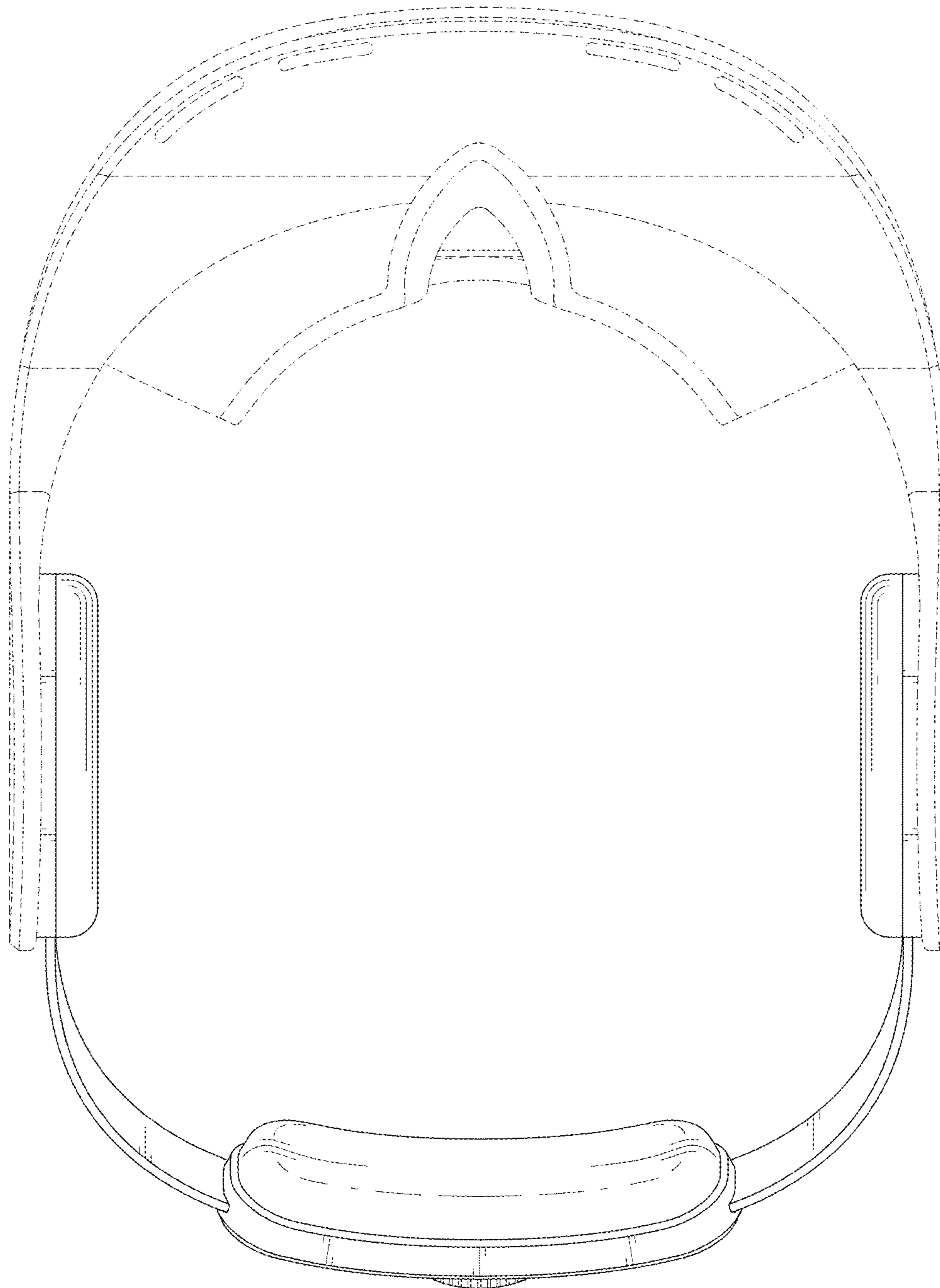




FIG. 8

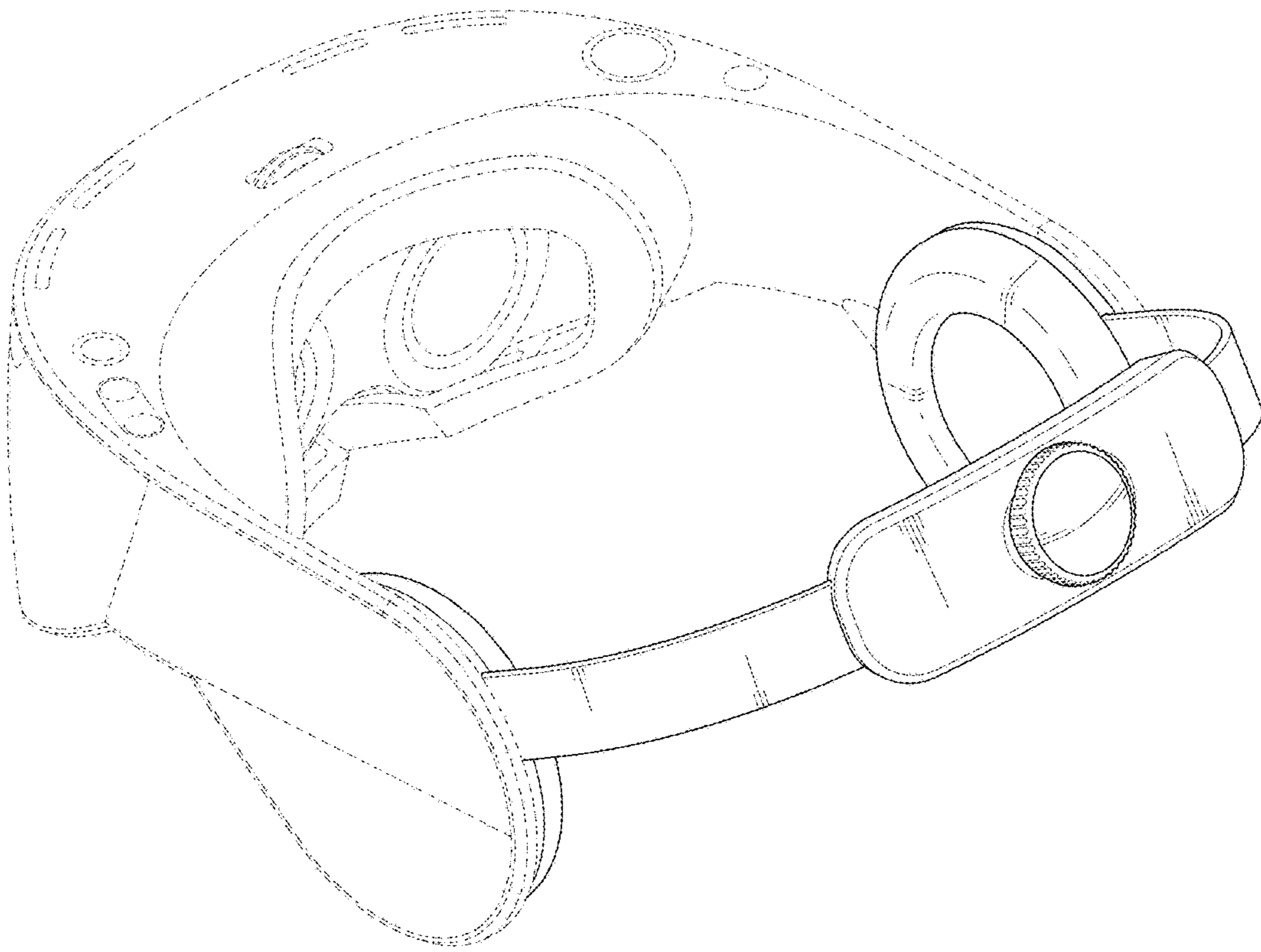


FIG. 9

