



US00D780751S

(12) **United States Design Patent**
Park et al.

(10) **Patent No.:** **US D780,751 S**
(45) **Date of Patent:** **** Mar. 7, 2017**

(54) **HEAD MOUNT DISPLAY**

(71) Applicant: **LG ELECTRONICS INC.**, Seoul (KR)

(72) Inventors: **Seala Park**, Seoul (KR); **Dongsoon Kim**, Seoul (KR); **Seungyup Lee**, Seoul (KR); **Hyunchul Kim**, Seoul (KR)

(73) Assignee: **LG ELECTRONICS INC.**, Seoul (KR)

(**) Term: **15 Years**

(21) Appl. No.: **29/551,291**

(22) Filed: **Jan. 12, 2016**

(30) **Foreign Application Priority Data**

Jul. 13, 2015 (KR) 30-2015-0035163

(51) **LOC (10) Cl.** **14-02**

(52) **U.S. Cl.**
USPC **D14/372**

(58) **Field of Classification Search**
USPC D14/372, 496, 432, 371, 125, 126, 129, D14/299; D16/300-342; 351/158, 153, 351/144; 345/7-9, 905; 455/344; 348/115, 53, 121, 739
CPC G02B 27/017; G02B 27/0158; G02B 27/0161; G02B 27/0181; G02B 27/0185; G02B 27/0189

See application file for complete search history.

(56) **References Cited**

U.S. PATENT DOCUMENTS

D722,054 S * 2/2015 Serota D14/372
D727,318 S * 4/2015 Garcia Marin D14/372

D732,028 S * 6/2015 Kim D14/372
D739,855 S * 9/2015 Bosveld D14/372
D740,283 S * 10/2015 Bosveld D14/372
D741,324 S * 10/2015 Bosveld D14/372
D749,580 S * 2/2016 Kim D14/372
D753,111 S * 4/2016 Fei D14/372
D753,113 S * 4/2016 Fei D14/372
D764,467 S * 8/2016 Nokuo D14/372

* cited by examiner

Primary Examiner — Austin Murphy

(74) *Attorney, Agent, or Firm* — Birch, Stewart, Kolasch & Birch, LLP

(57) **CLAIM**

The ornamental design for a head mount display, as shown and described.

DESCRIPTION

FIG. 1 is a front perspective view of a head mount display showing our new design;
FIG. 2 is a front view thereof;
FIG. 3 is a rear view thereof;
FIG. 4 is a left side view thereof;
FIG. 5 is a right side view thereof;
FIG. 6 is a top plan view thereof;
FIG. 7 is a bottom plan view thereof;
FIG. 8 is a rear perspective view thereof; and,
FIG. 9 is a reference view thereof showing an example of the usage of the subject design in which the user wears the subject design.

The broken lines depict portions of the head mount display that form no part of the claimed design.

1 Claim, 9 Drawing Sheets

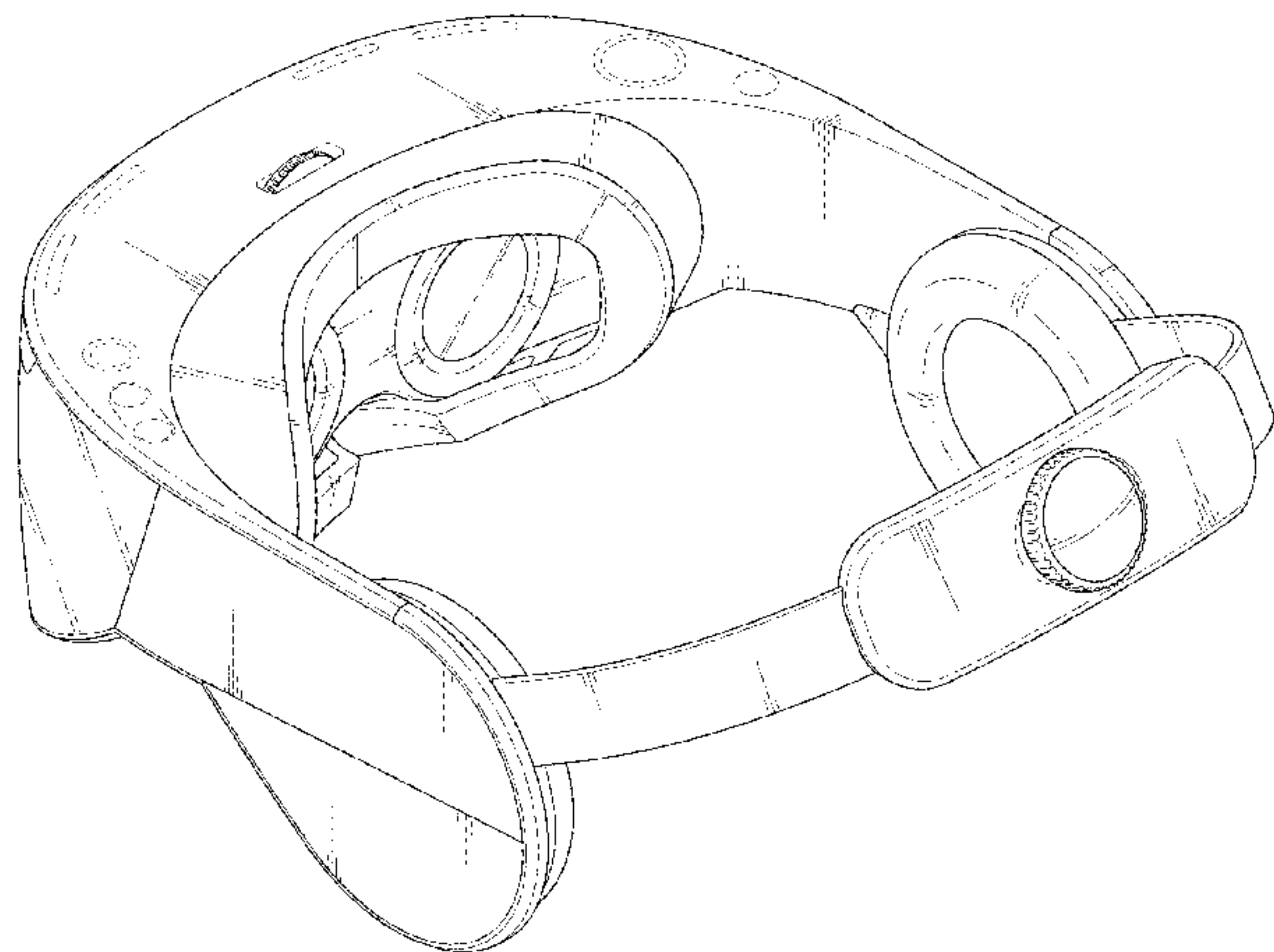
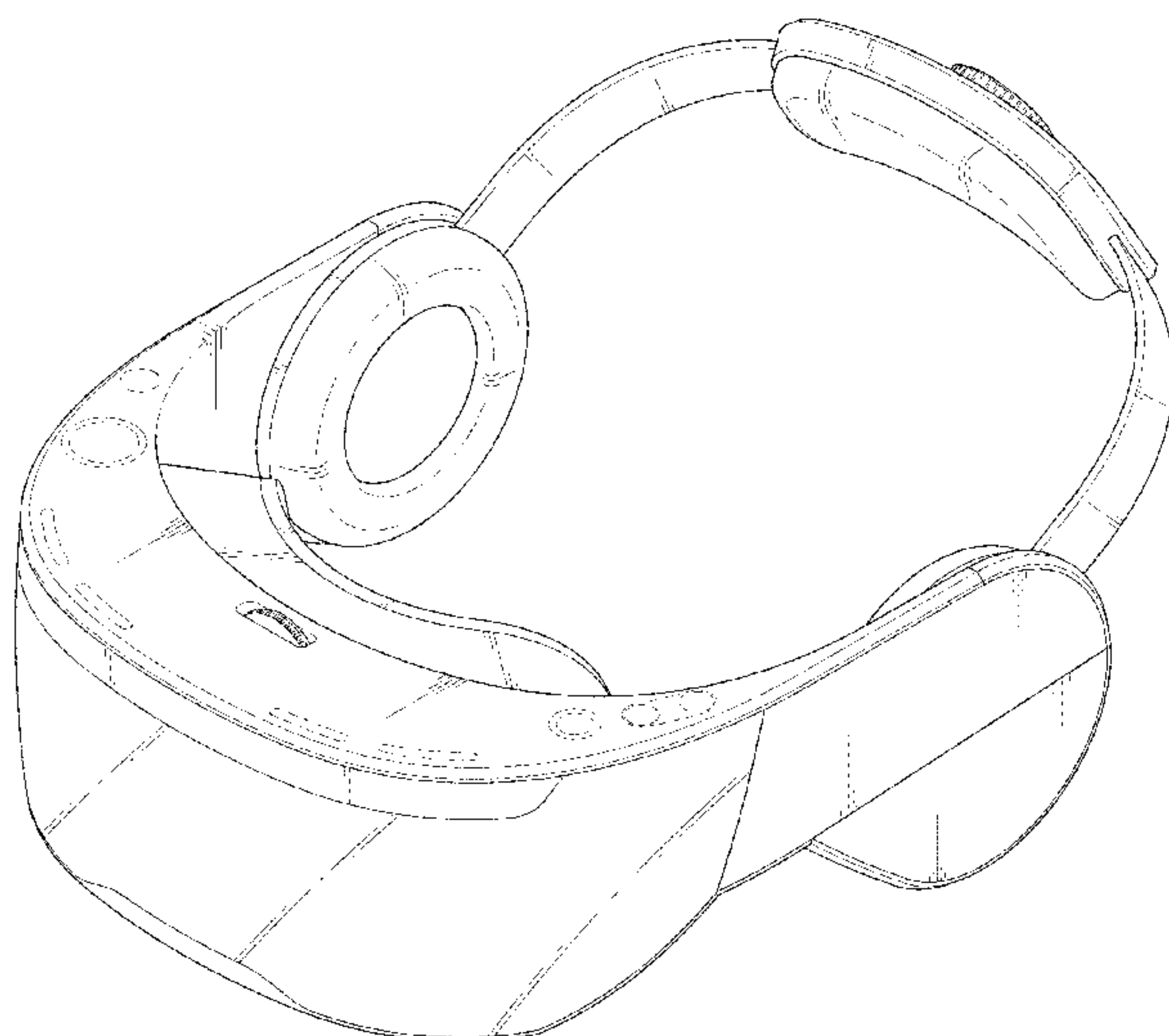


FIG. 1

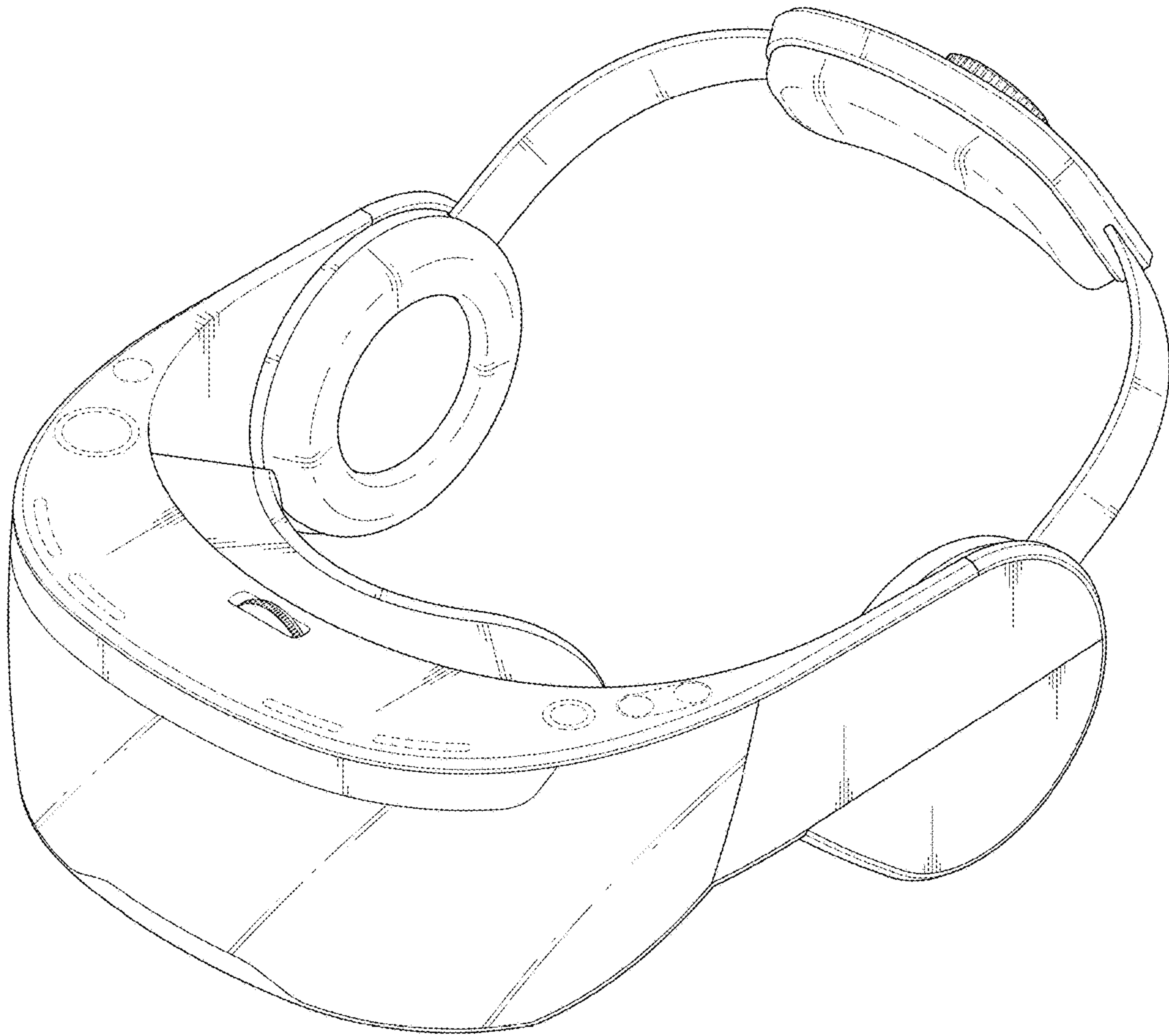


FIG. 2

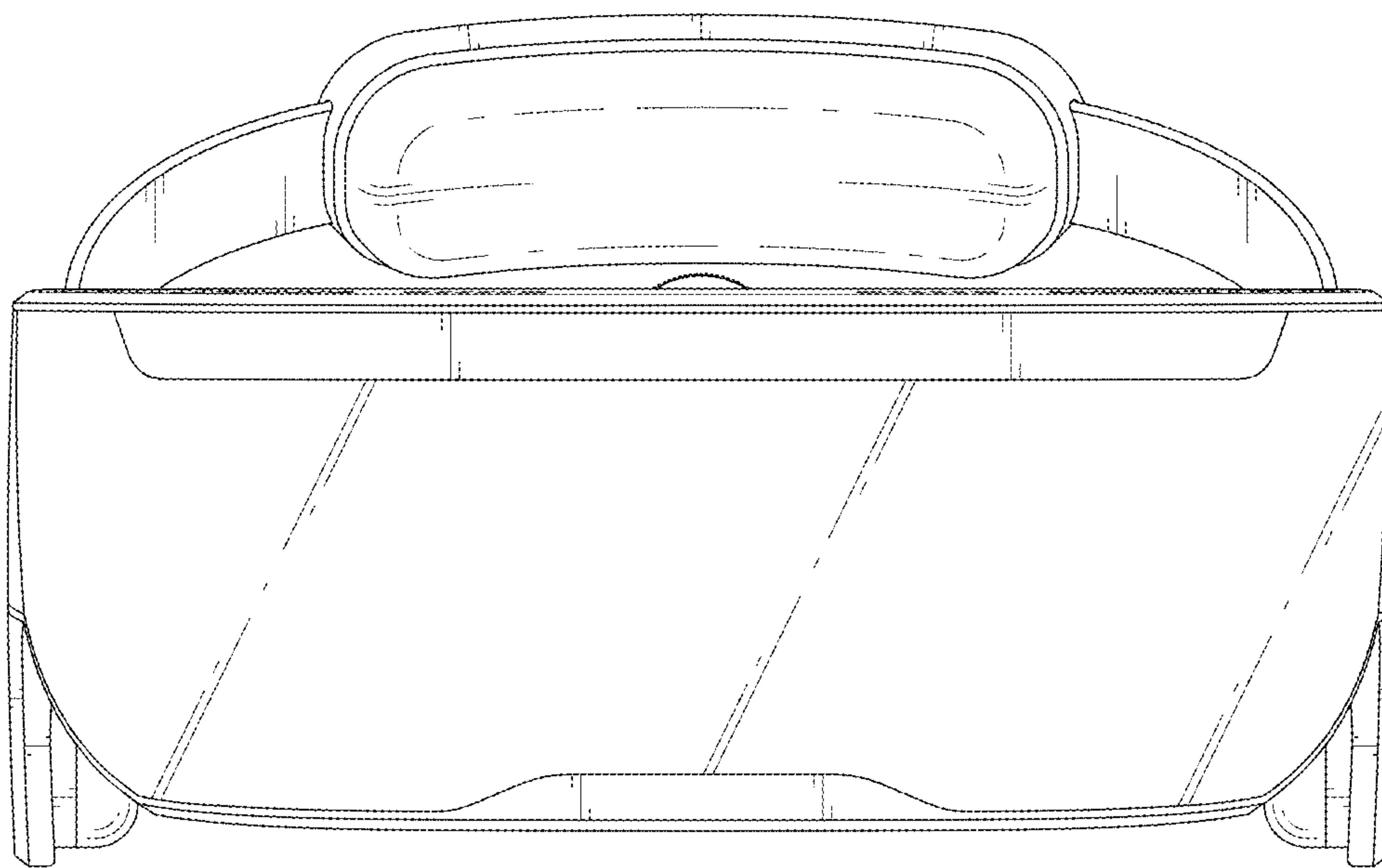


FIG. 3

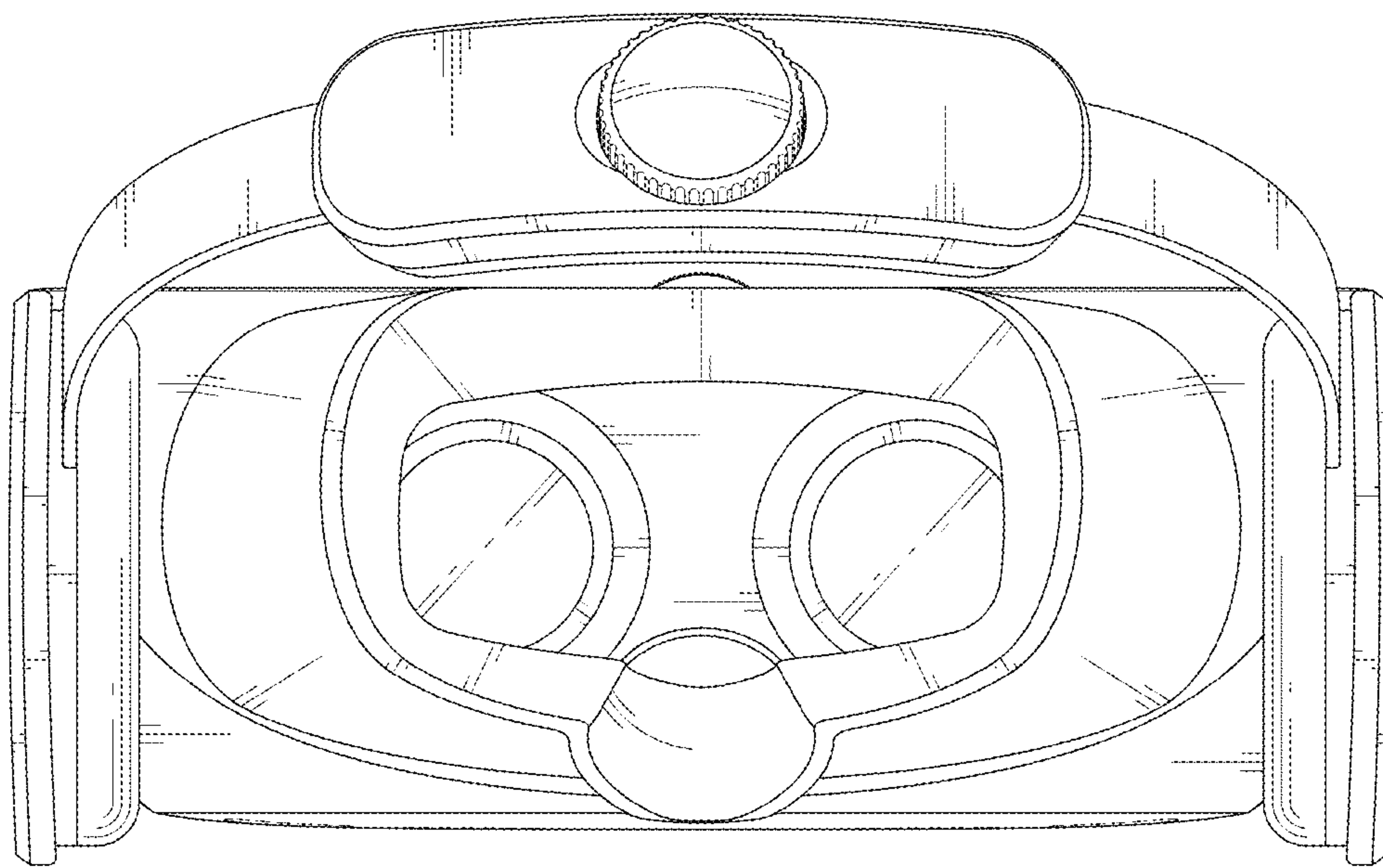


FIG. 4

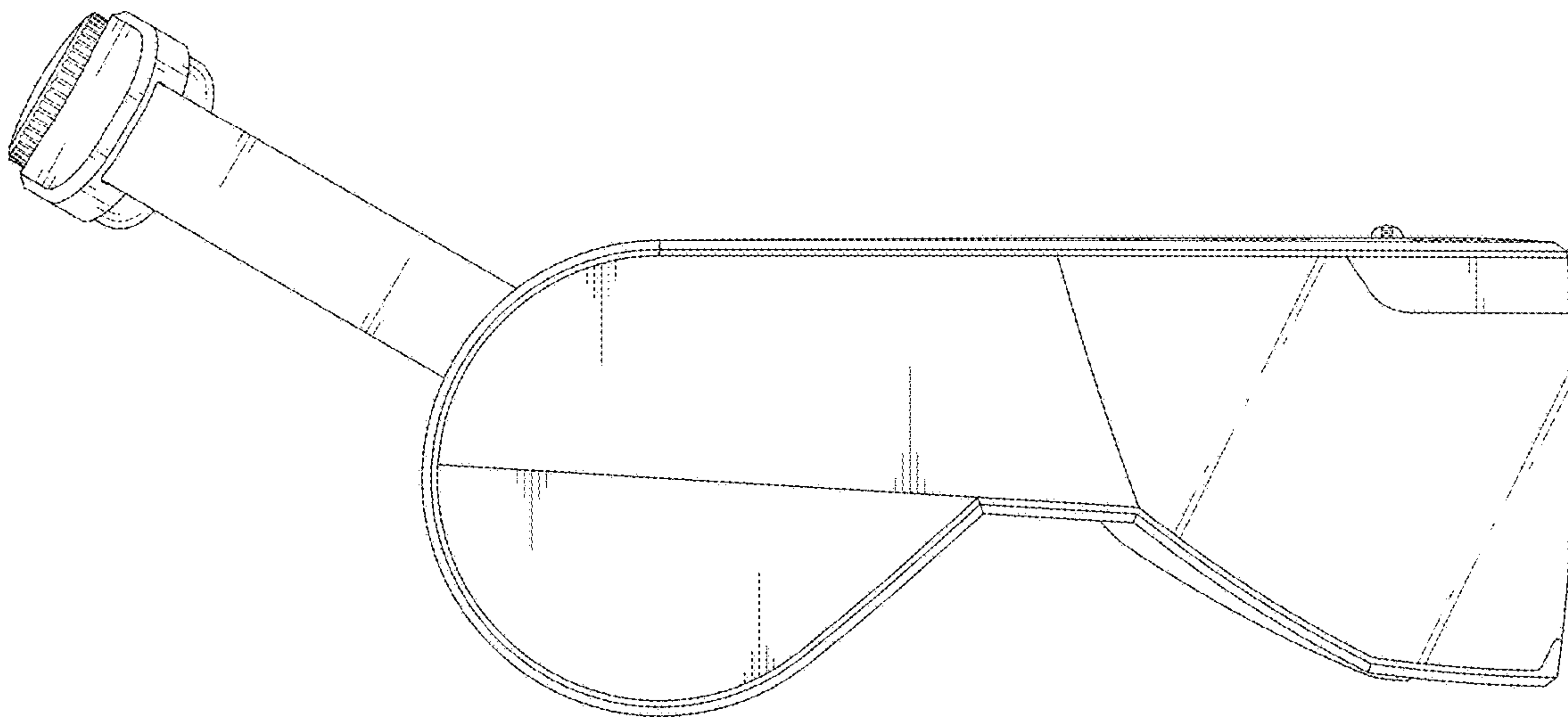


FIG. 5

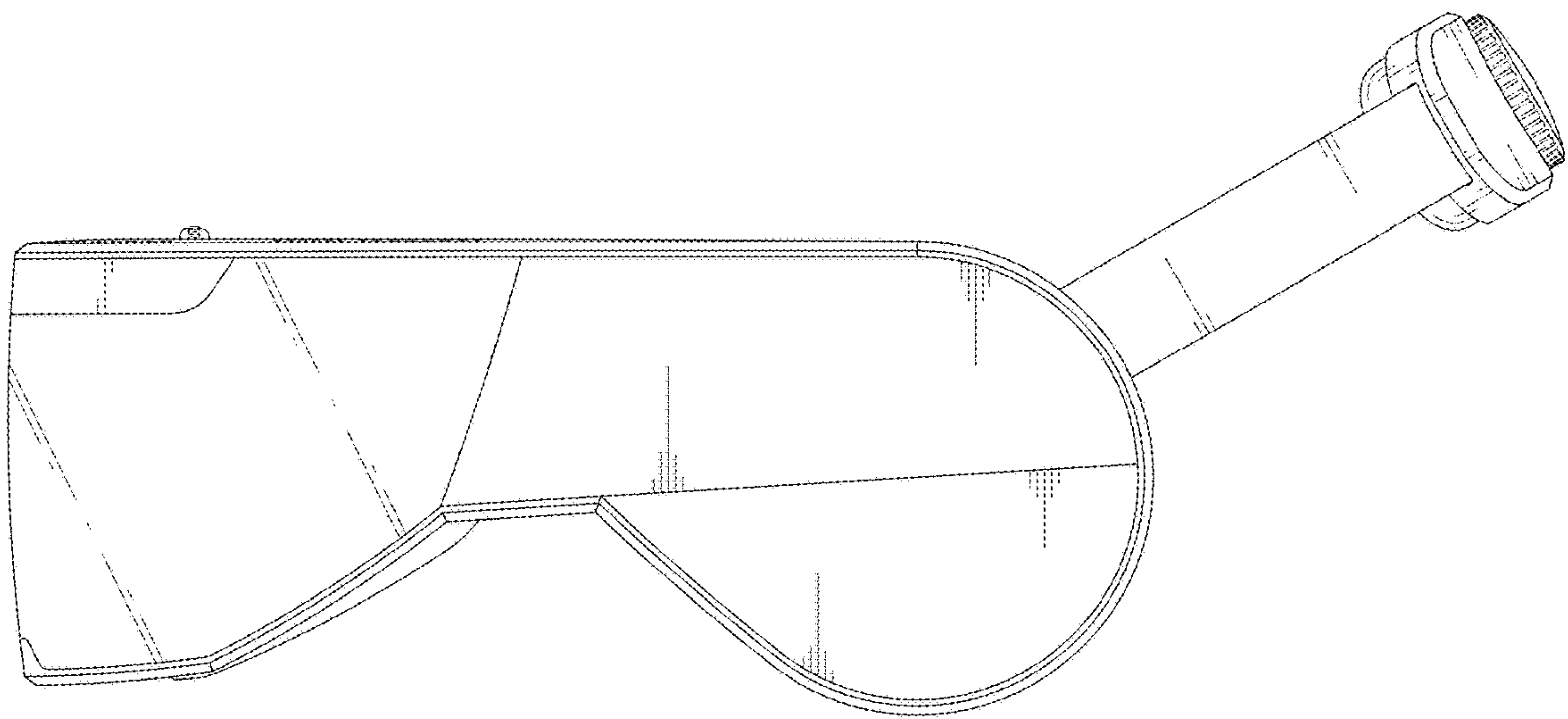


FIG. 6

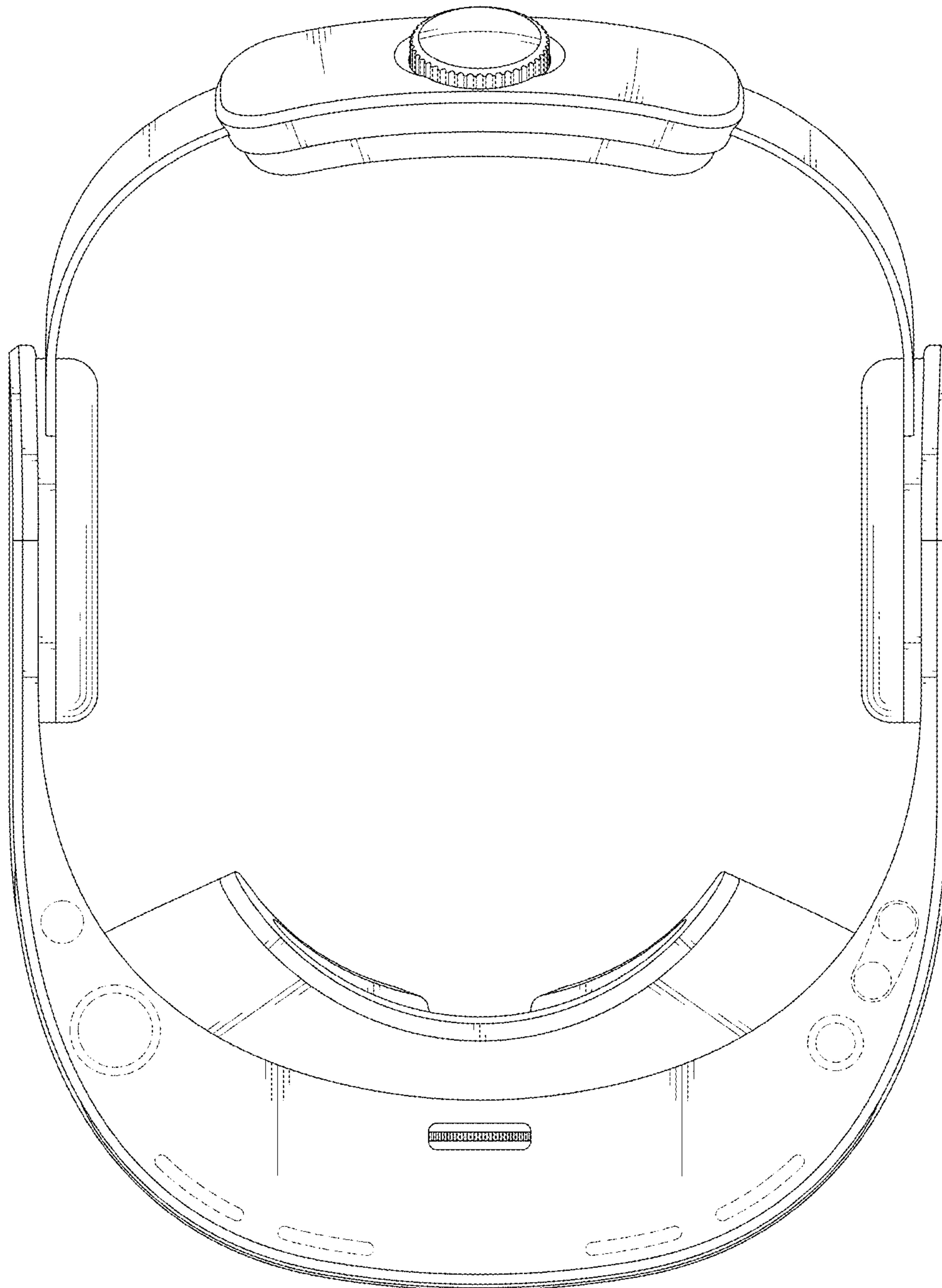


FIG. 7

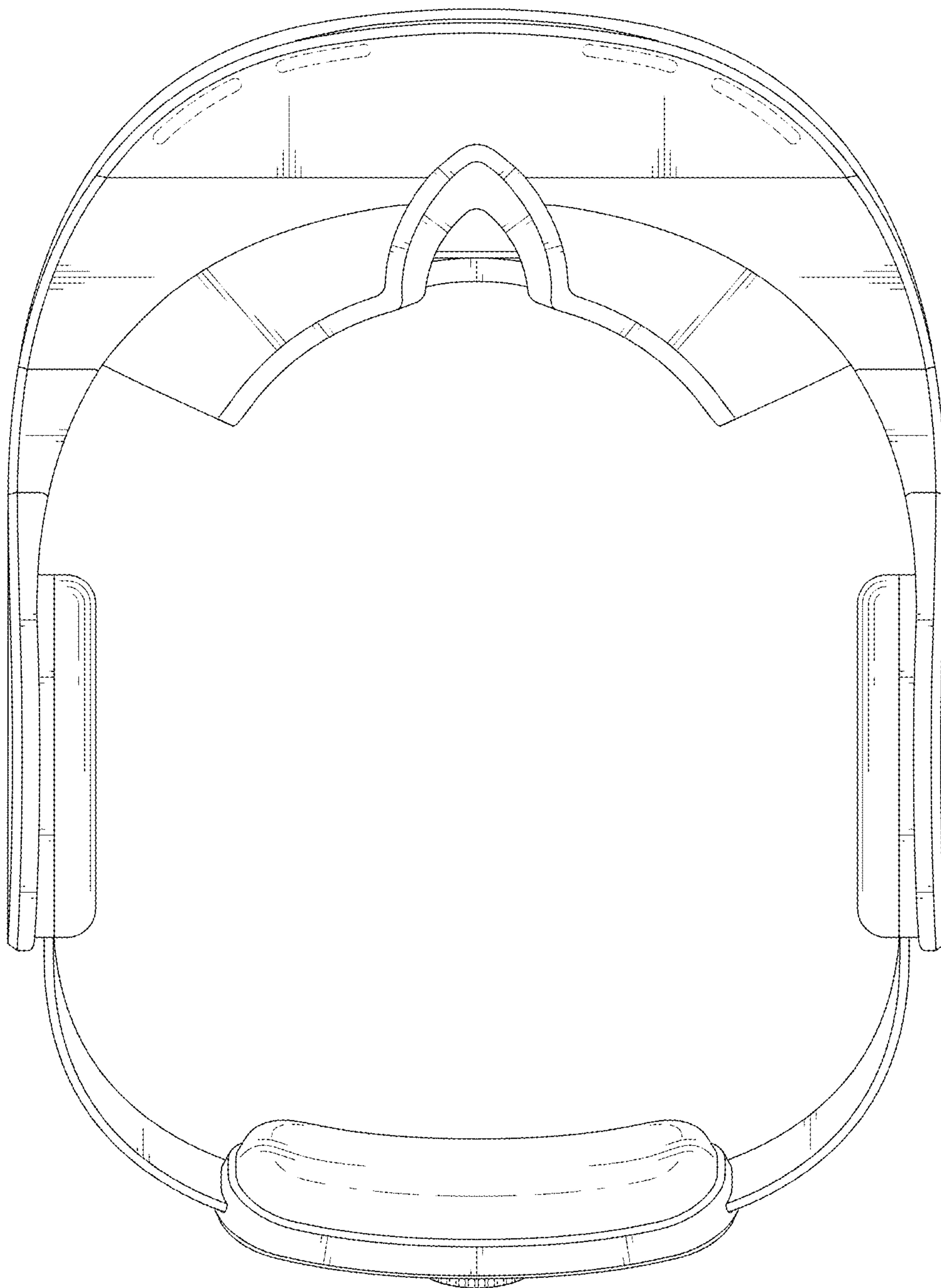


FIG. 8

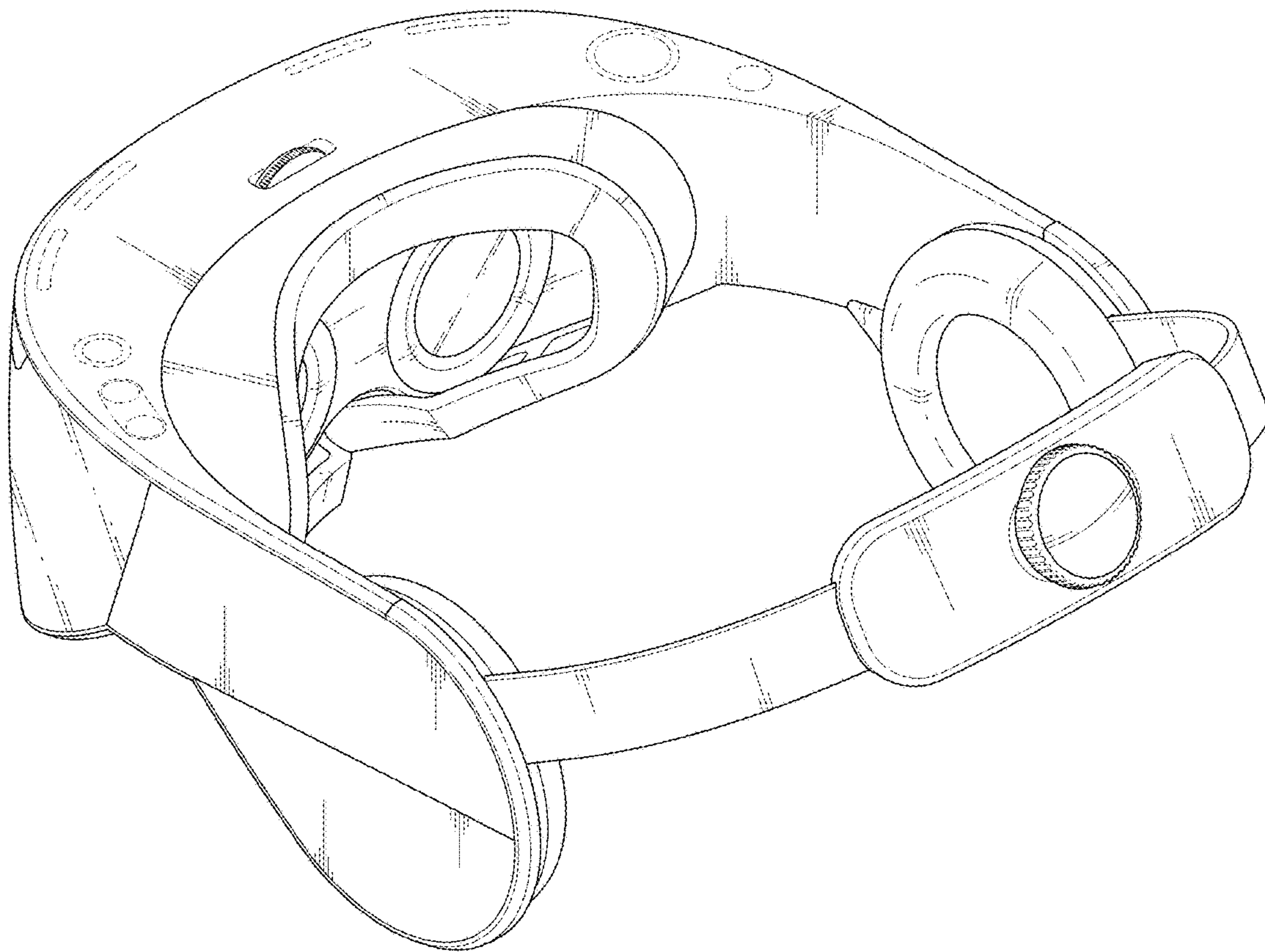


FIG. 9

