



US00D780750S

(12) **United States Design Patent** (10) **Patent No.:** **US D780,750 S**
Yu (45) **Date of Patent:** **** Mar. 7, 2017**

(54) **MULTIMODE DISPLAY DEVICE**
(71) Applicant: **Lenovo (Beijing) Co., Ltd.**, Beijing (CN)
(72) Inventor: **Fei Yu**, Beijing (CN)
(73) Assignee: **Lenovo (Beijing) Co., Ltd.**, Beijing (CN)
(**) Term: **14 Years**
(21) Appl. No.: **29/520,509**
(22) Filed: **Mar. 16, 2015**

(30) **Foreign Application Priority Data**
Sep. 30, 2014 (CN) 2014 3 0372668
(51) **LOC (10) Cl.** **14-02**
(52) **U.S. Cl.**
USPC **D14/371**
(58) **Field of Classification Search**
USPC D14/371-375, 125-129, 336, 337, 341, D14/239; 341/12; 345/104, 156, 168, 345/173; 348/180, 184, 325, 739; 349/1, 349/2, 11, 62; 361/679.05-679.07, 361/679.21; D6/300, 308
CPC G06F 1/16; G06F 1/1601; G06F 3/037; G06F 1/162; F16M 11/02; F16M 11/10; F16M 11/00; F16M 11/06; F16M 11/18
See application file for complete search history.

(56) **References Cited**
U.S. PATENT DOCUMENTS
D333,933 S * 3/1993 Feinbloom D6/681
D424,068 S * 5/2000 Takemasa D14/126
D439,225 S * 3/2001 Kita D14/126
D462,678 S * 9/2002 Abboud D14/304

D599,755 S * 9/2009 Jin D14/126
D653,245 S * 1/2012 Buzzard D14/239
D671,083 S * 11/2012 Kim D14/126
D677,655 S * 3/2013 Sirotich D14/305
D709,842 S * 7/2014 Lee D14/126
2003/0058372 A1* 3/2003 Williams F16M 11/18 348/836
2004/0217244 A1* 11/2004 Wu F16M 11/06 248/278.1

(Continued)

Primary Examiner — Freda S Nunn
(74) *Attorney, Agent, or Firm* — Oppedahl Patent Law Firm LLC

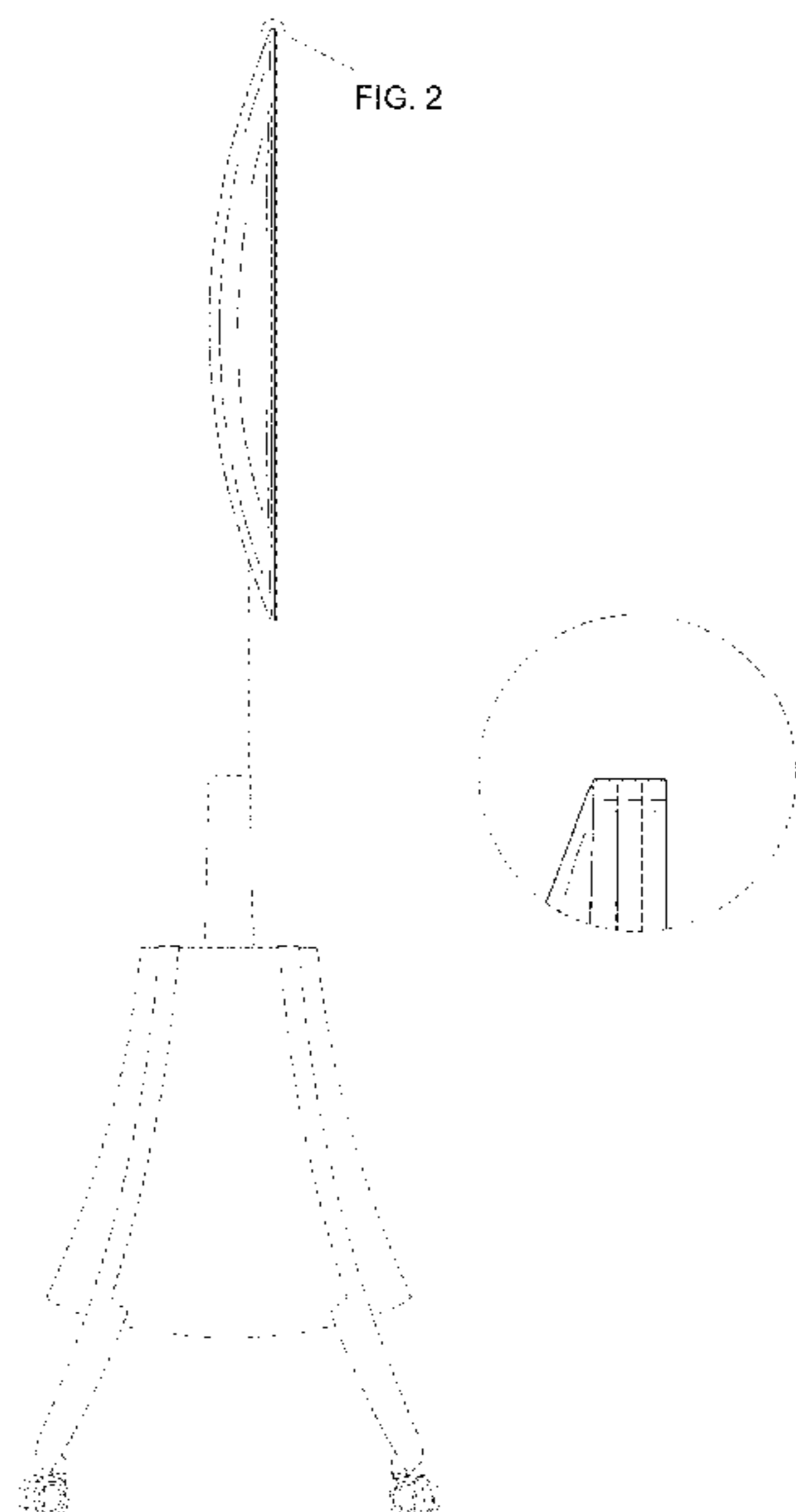
(57) **CLAIM**

The ornamental design for a multimode display device, as shown and described.

DESCRIPTION

FIG. 1 is a left side view of a multimode display device wherein the broken lines are shown for environment only and form no part of the claimed design;
FIG. 2 is an enlarged detailed section thereof as indicated in FIG. 1;
FIG. 3 is a perspective view thereof shown in another position;
FIG. 4 is an enlarged detailed section thereof as indicated in FIG. 3;
FIG. 5 is a left side view of a second embodiment thereof;
FIG. 6 is an enlarged detailed section thereof as indicated in FIG. 5;
FIG. 7 is a perspective view thereof shown in another position; and,
FIG. 8 is an enlarged detailed section thereof as indicated in FIG. 7.
The portions of the article not shown in the drawings form no part of the claimed design.

1 Claim, 4 Drawing Sheets



(56)

References Cited

U.S. PATENT DOCUMENTS

2010/0148458 A1* 6/2010 Ross A61M 16/0051
280/47.34

* cited by examiner

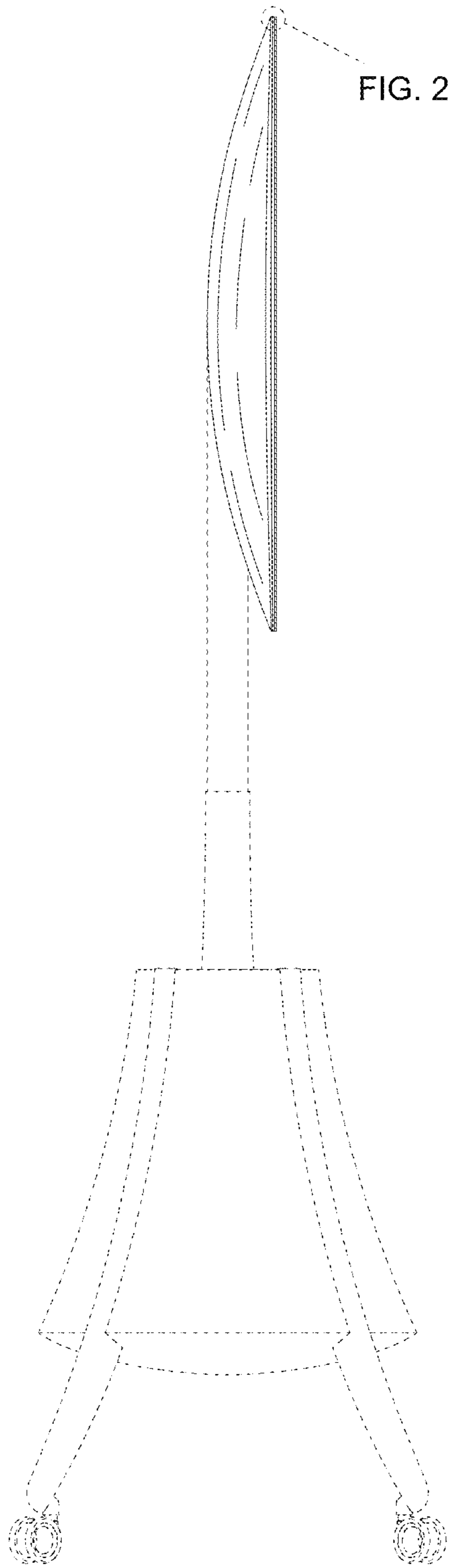


FIG. 1

FIG. 2

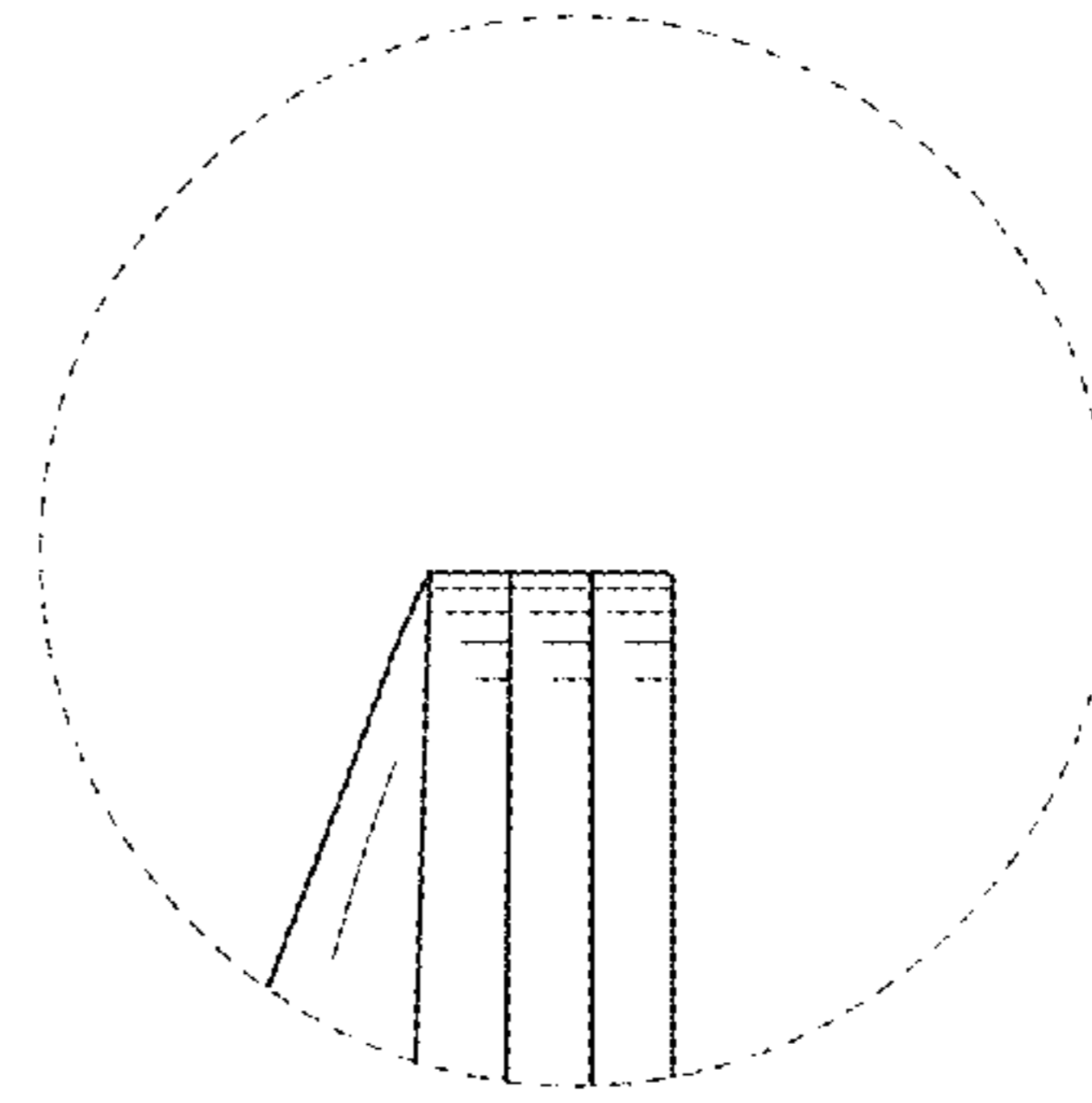


FIG. 2

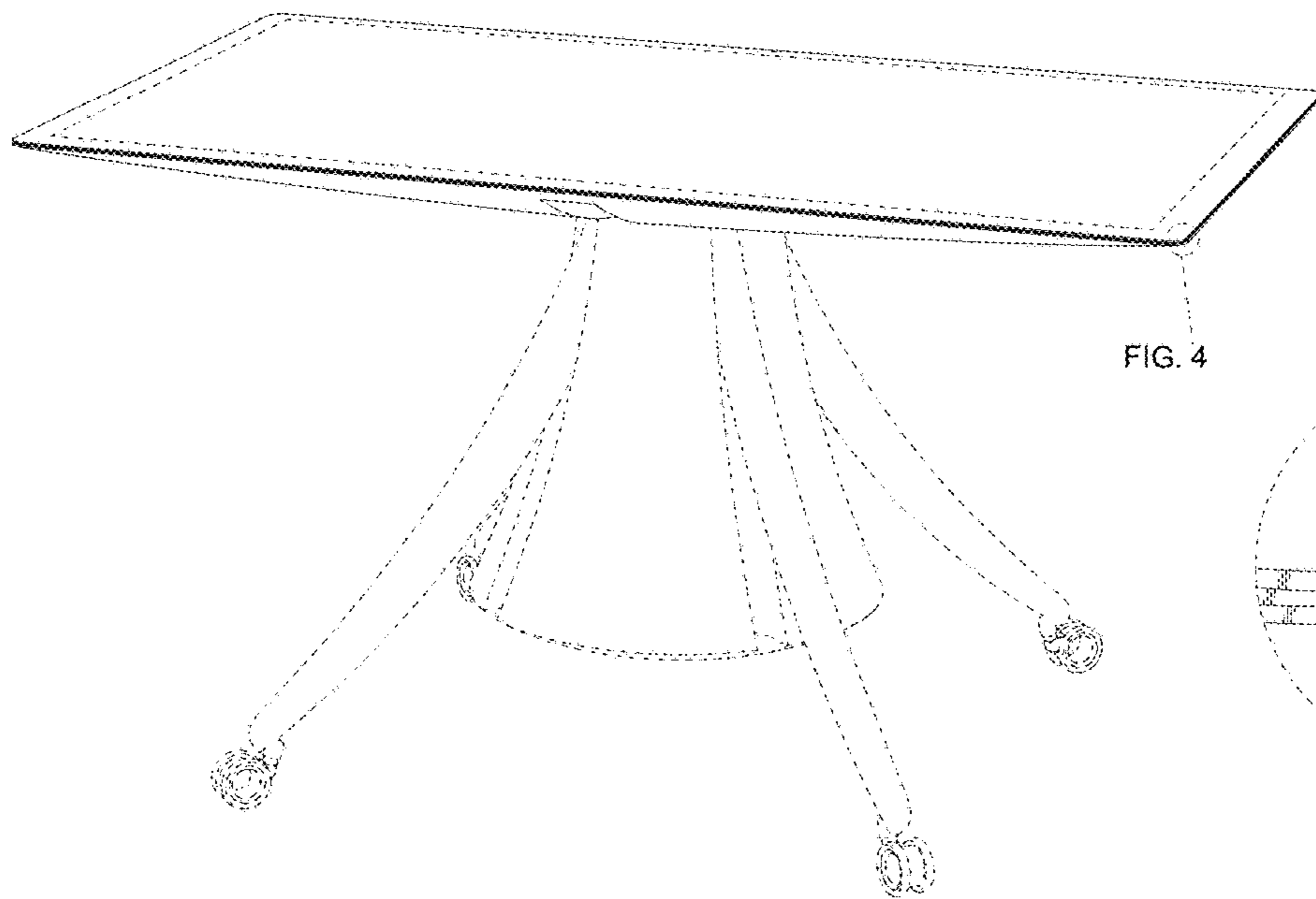


FIG. 4

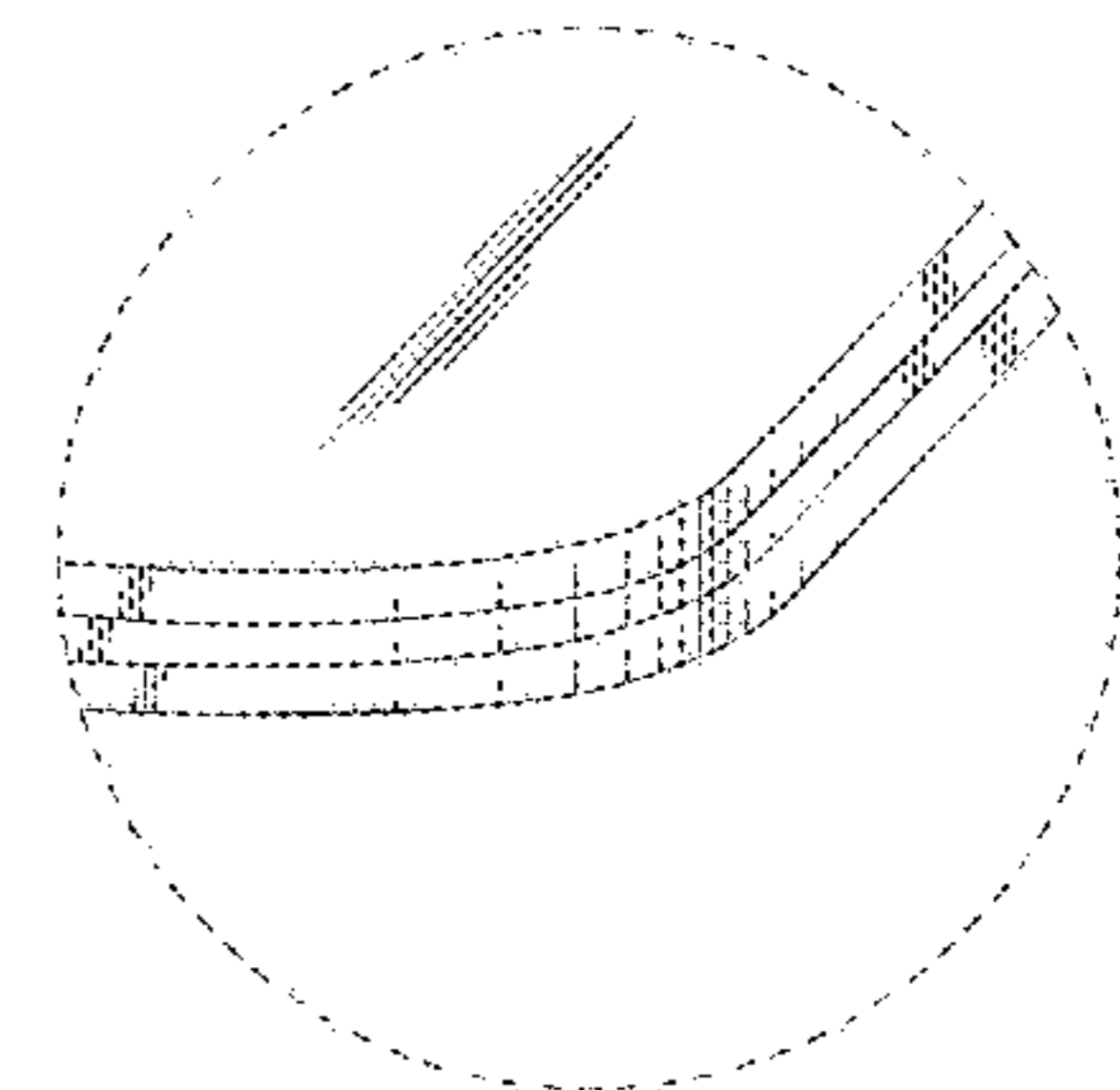


FIG. 4

FIG. 3

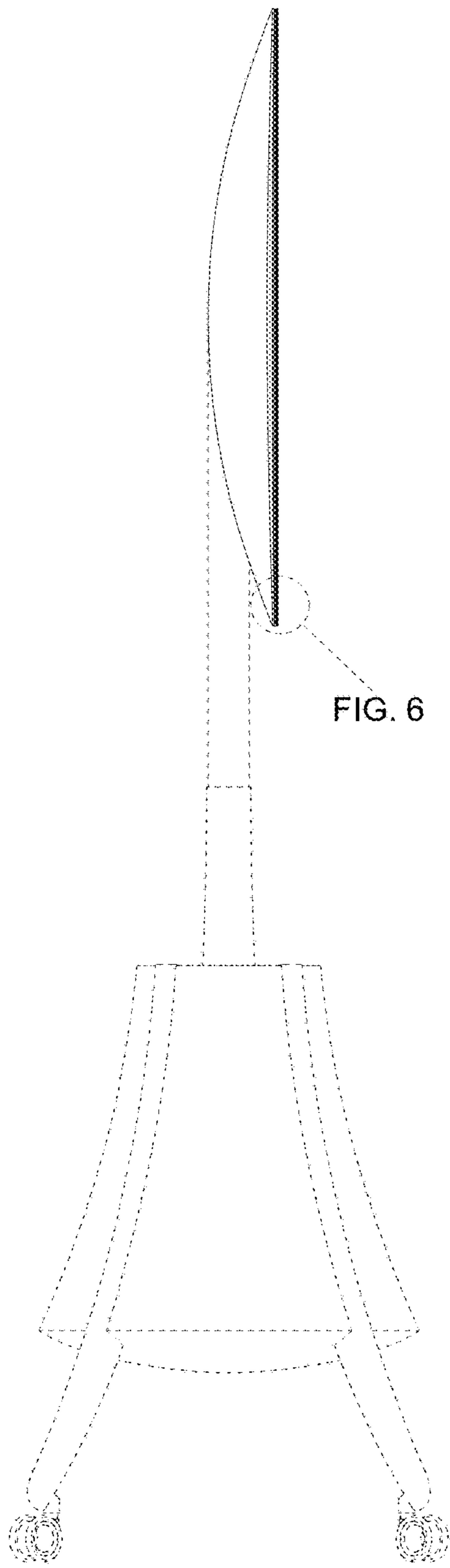


FIG. 5

FIG. 6

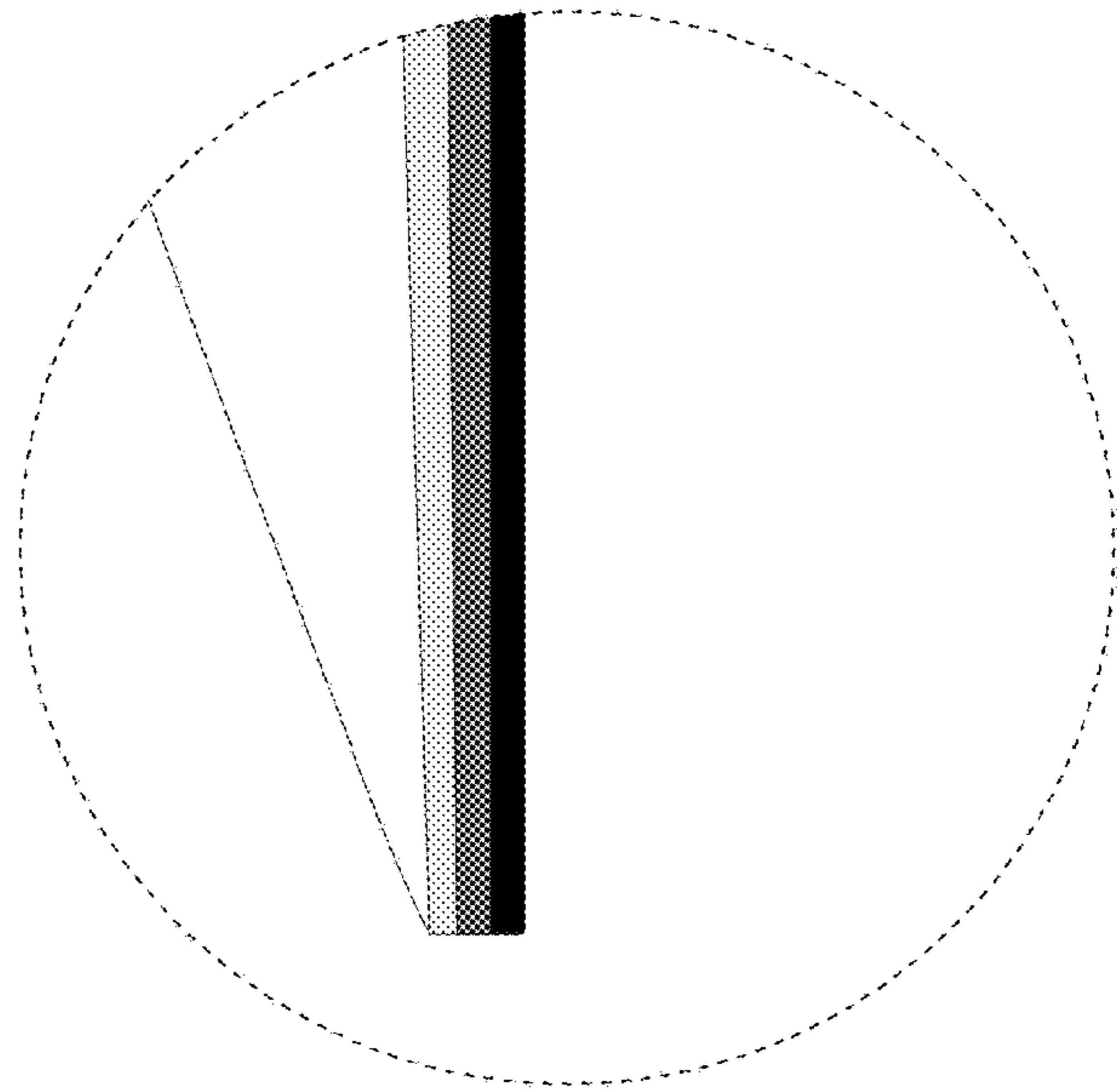


FIG. 6

