



US00D780747S

(12) **United States Design Patent**
Sharp et al.

(10) **Patent No.:** **US D780,747 S**
(45) **Date of Patent:** **** Mar. 7, 2017**

- (54) **INTERACTIVE DEVICE FOR A USER**
- (71) Applicant: **Gamblit Gaming, LLC**, Glendale, CA (US)
- (72) Inventors: **Milton Sharp**, Los Angeles, CA (US);
Wayne Loynes, Altadena, CA (US);
Eric Meyerhofer, Pasadena, CA (US)
- (73) Assignee: **Gamblit Gaming, LLC**, Glendale, CA (US)
- (**) Term: **15 Years**
- (21) Appl. No.: **29/534,734**
- (22) Filed: **Jul. 30, 2015**
- (51) **LOC (10) Cl.** **14-03**
- (52) **U.S. Cl.**
USPC **D14/329**; D14/496
- (58) **Field of Classification Search**
USPC D21/324-333; D14/496, 168, 356; 345/156,
345/1.1, 1.2, 3.1; 455/3.06; 463/43-47;
273/148 B; 715/710, 700, 717, 715/719,
715/727; 710/1, 5, 8, 15
CPC G06F 3/041; G06F 3/046; G06F 3/048
See application file for complete search history.

- 7,905,783 B2 * 3/2011 Cole G07F 17/32
463/16
- D643,439 S * 8/2011 Bidaud D14/203.1
- 8,046,620 B2 * 10/2011 Fong A63H 3/003
446/297
- 8,520,064 B2 * 8/2013 White G02B 27/2292
348/54
- 8,717,316 B2 * 5/2014 Gothard G06Q 30/02
345/173
- 9,317,170 B2 * 4/2016 Lipman G06F 3/046

* cited by examiner

Primary Examiner — Prabhakar Deshmukh
(74) *Attorney, Agent, or Firm* — Caitlyn Ross

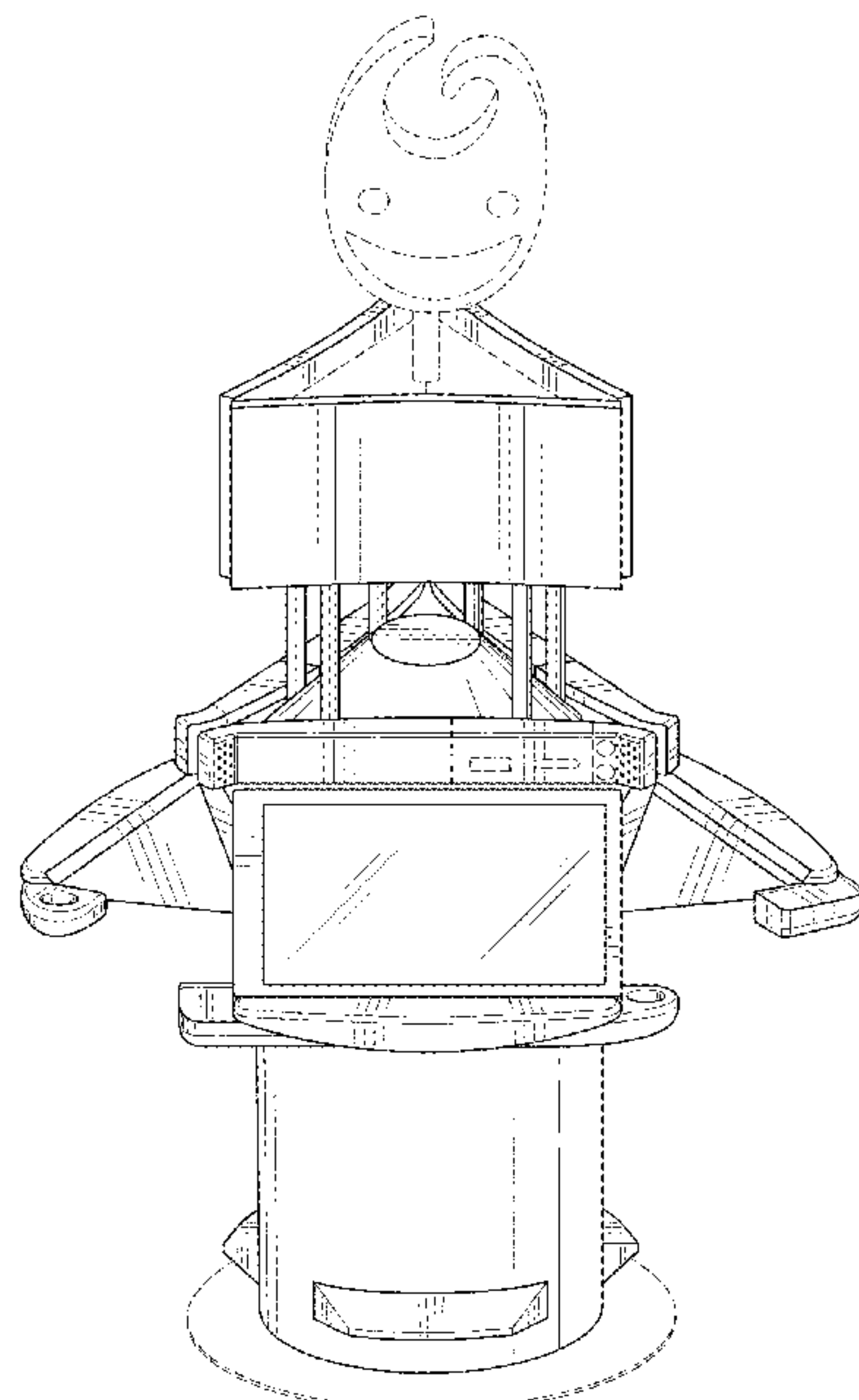
(57) **CLAIM**
The ornamental design for an interactive device for a user, as shown and described.

DESCRIPTION

FIG. 1 is a top and front perspective view of an interactive device for a user showing our new design; FIG. 2 is a front elevational view thereof; FIG. 3 is a top, front and left perspective view thereof; FIG. 4 is a top and front perspective view of second embodiment of an interactive device for user thereof; FIG. 5 is a front elevational view of FIG. 4; FIG. 6 is a top, front and left perspective view of FIG. 4; FIG. 7 is a top and front perspective view of third embodiment of an interactive device for user thereof; FIG. 8 is a front elevational view of FIG. 7; FIG. 9 is a top, front and left perspective view of FIG. 7; FIG. 10 is a top and front perspective view of third embodiment of an interactive device for user thereof; FIG. 11 is a front elevational view of FIG. 10; and, FIG. 12 is a top, front and left perspective view of FIG. 10. The broken lines represent disclaimed portions and form no part of the claimed design.

- (56) **References Cited**
U.S. PATENT DOCUMENTS
- 6,997,772 B2 * 2/2006 Fong A63H 3/28
446/175
- 7,062,146 B2 * 6/2006 Elias A63H 33/006
297/135
- 7,207,860 B2 * 4/2007 Hornsby A63H 33/00
446/353
- D590,839 S * 4/2009 Lewis D14/496
- D614,202 S * 4/2010 Strauser D14/496

1 Claim, 12 Drawing Sheets



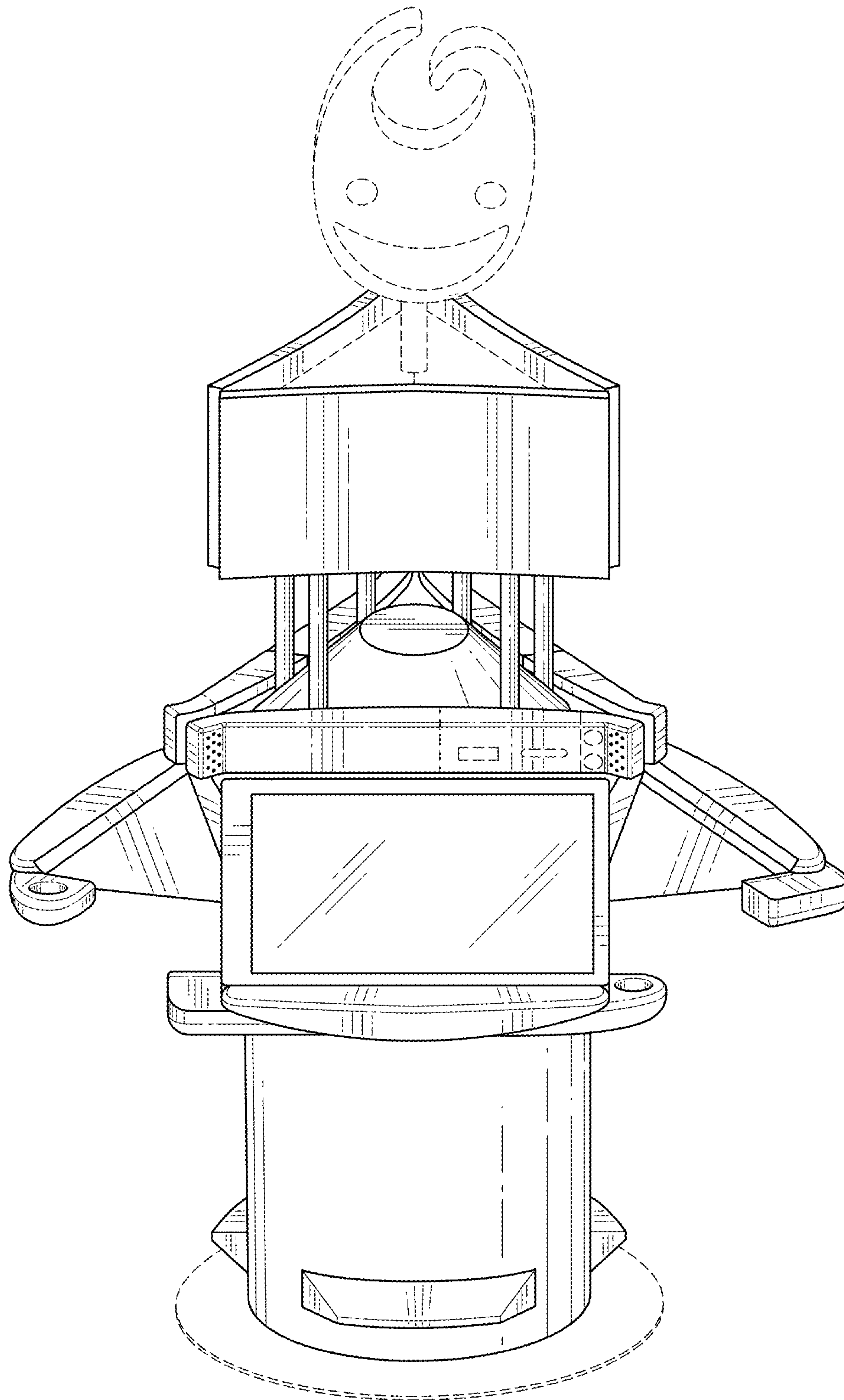


FIG. 1

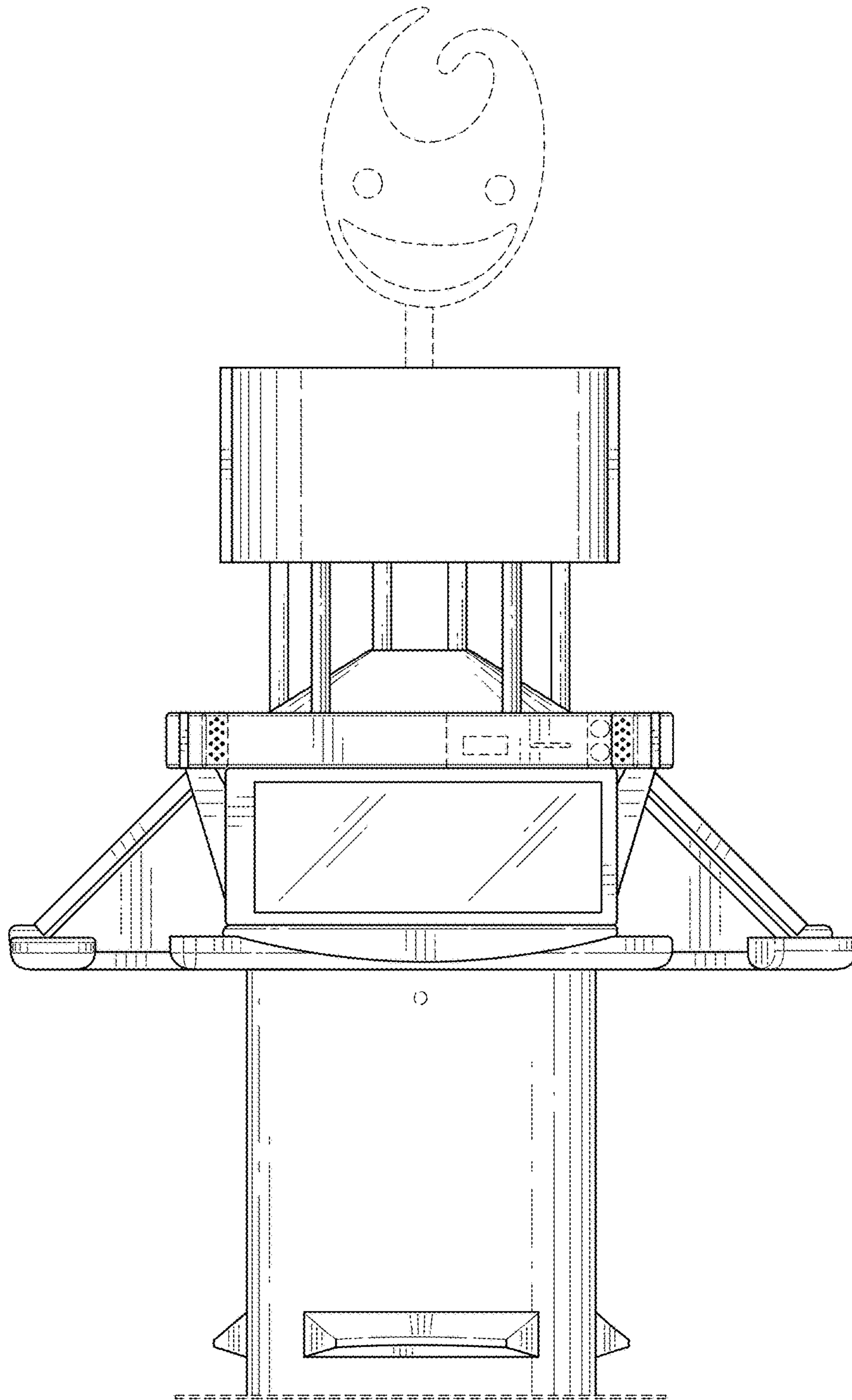


FIG. 2

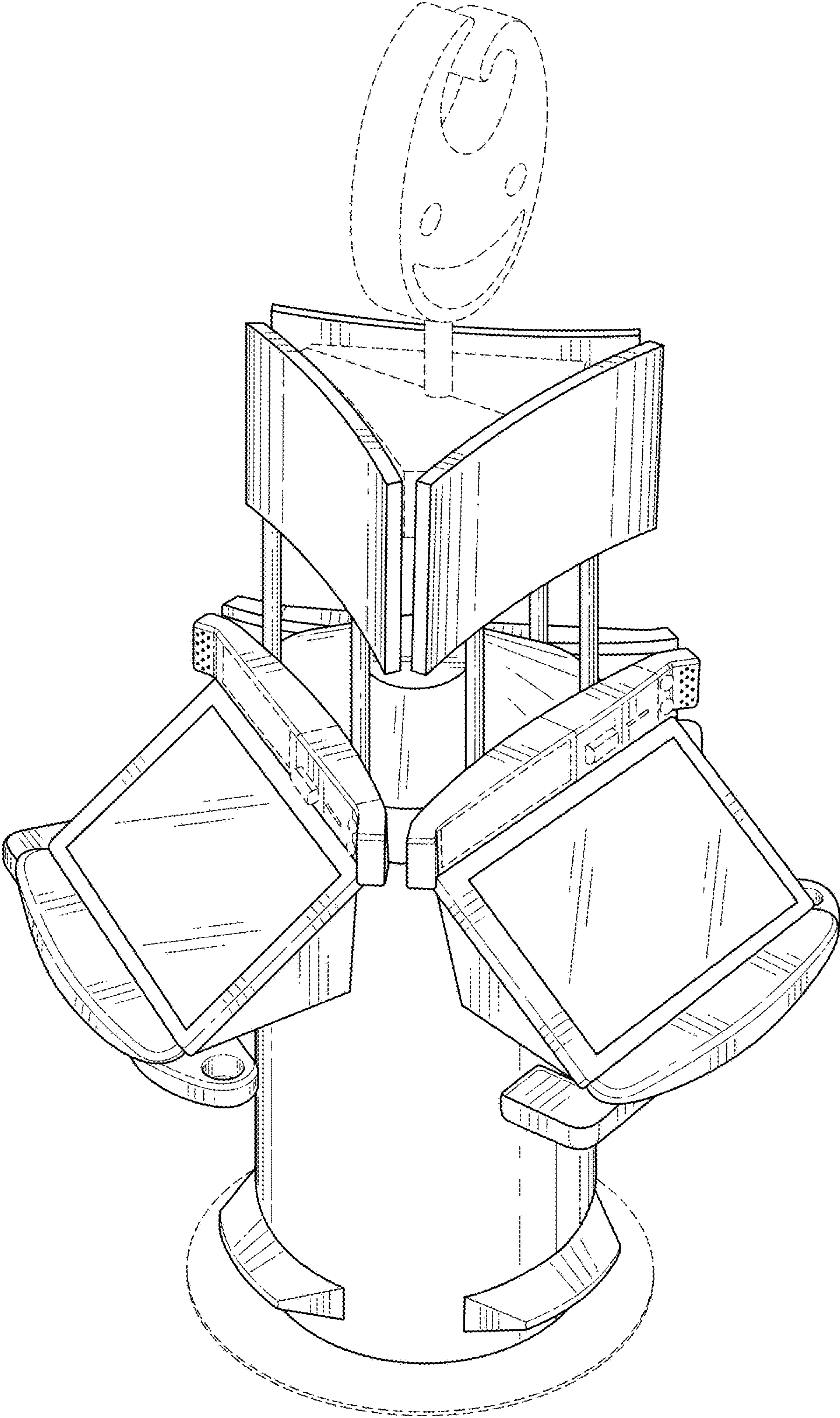


FIG. 3

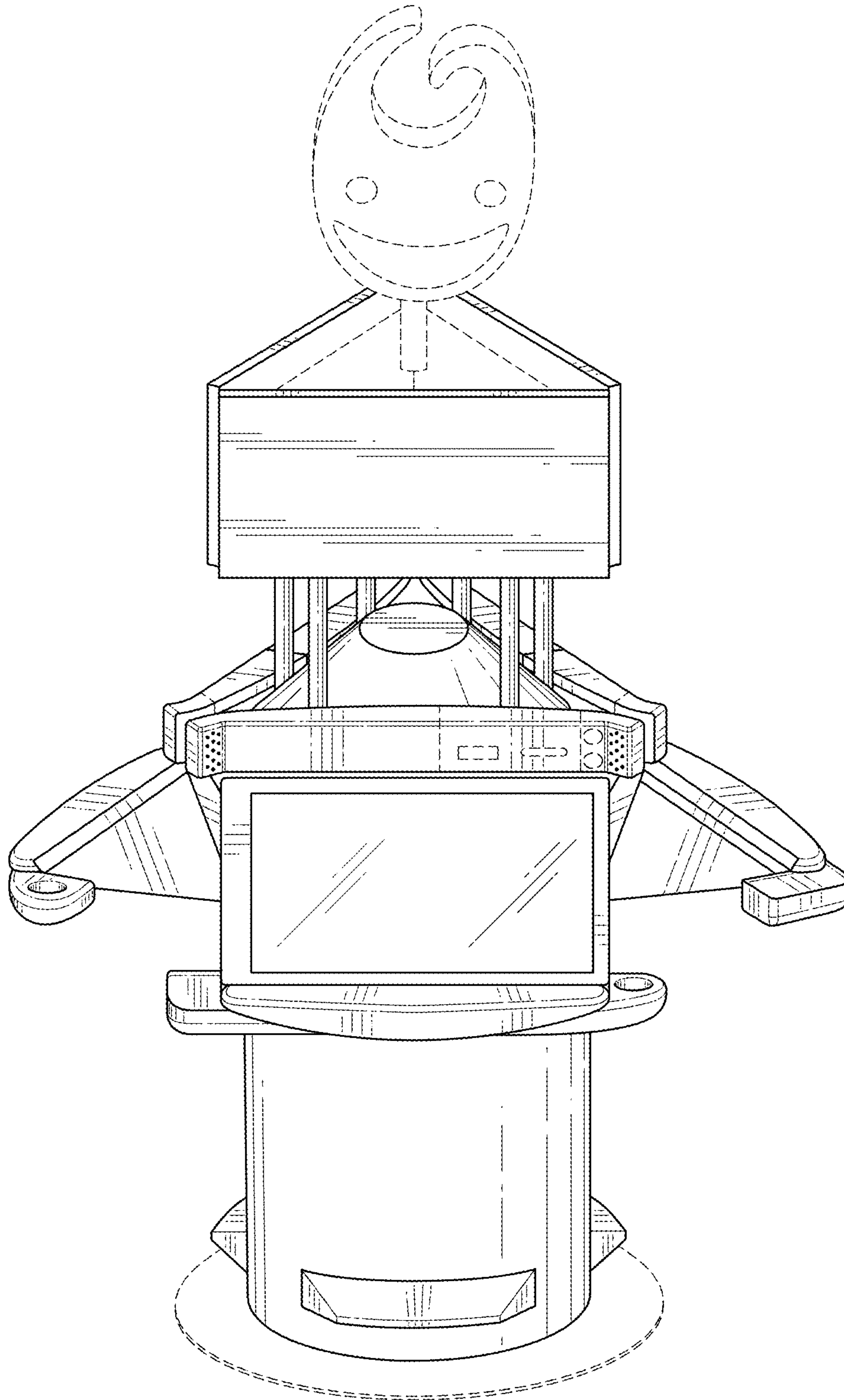


FIG. 4

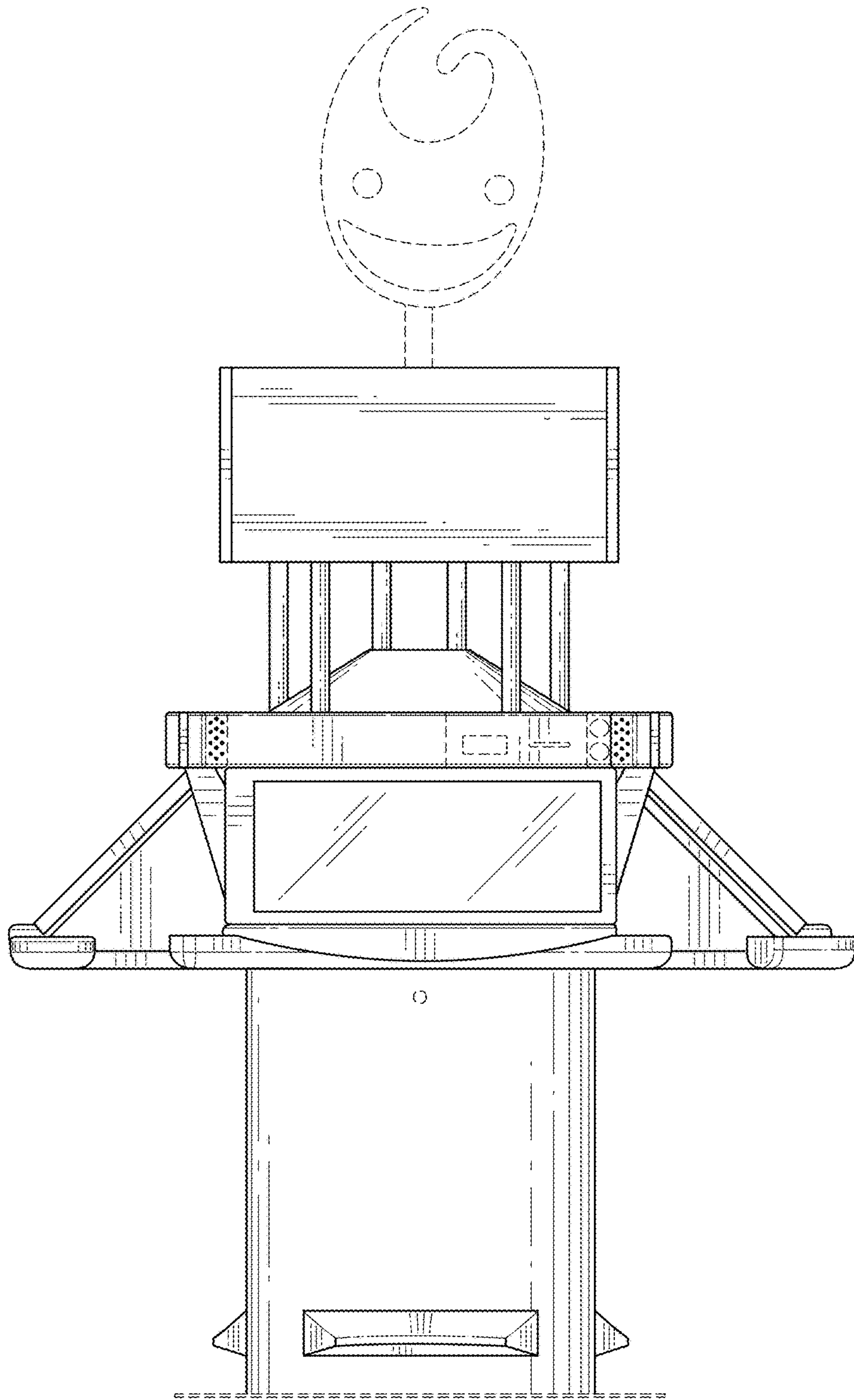


FIG. 5

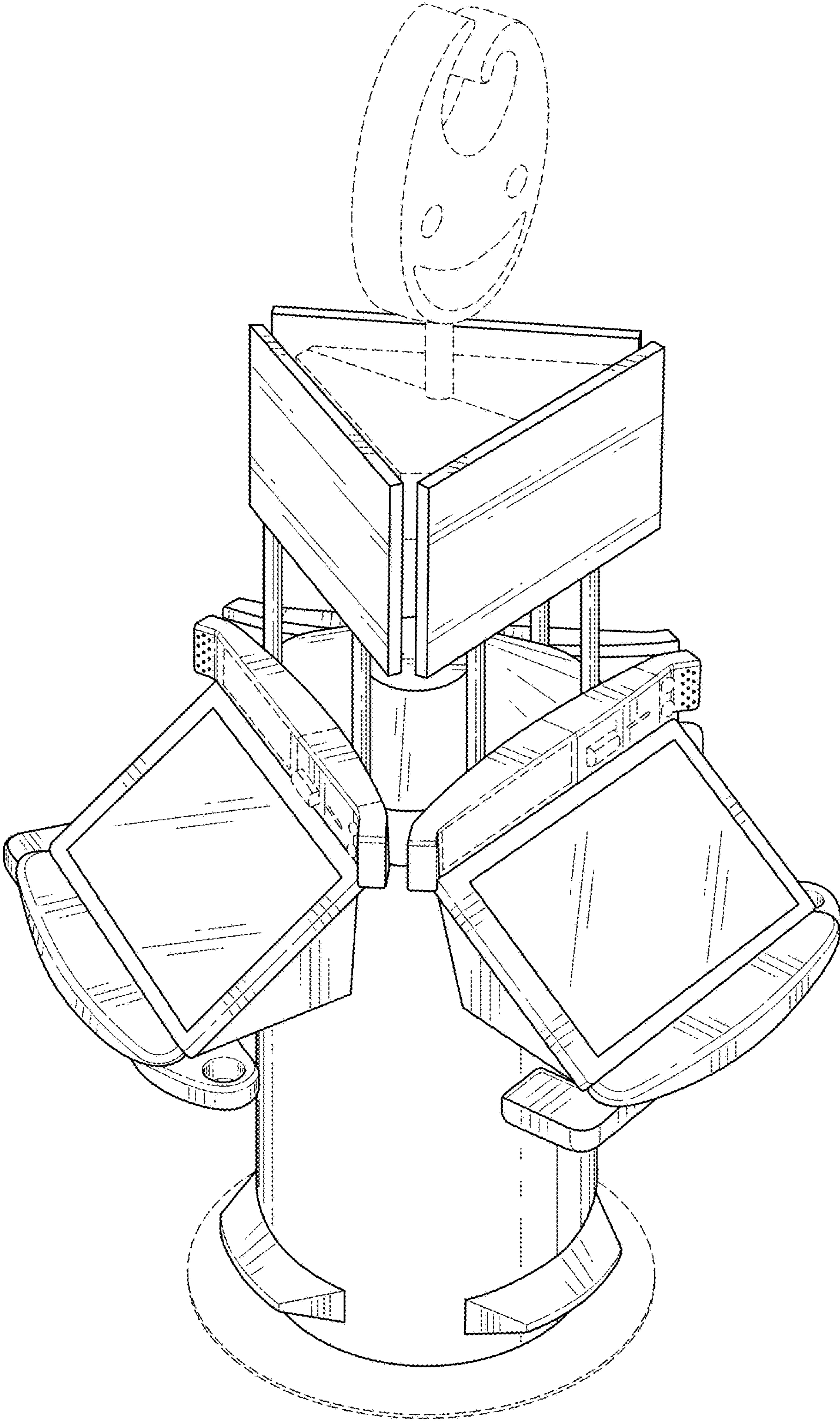


FIG. 6

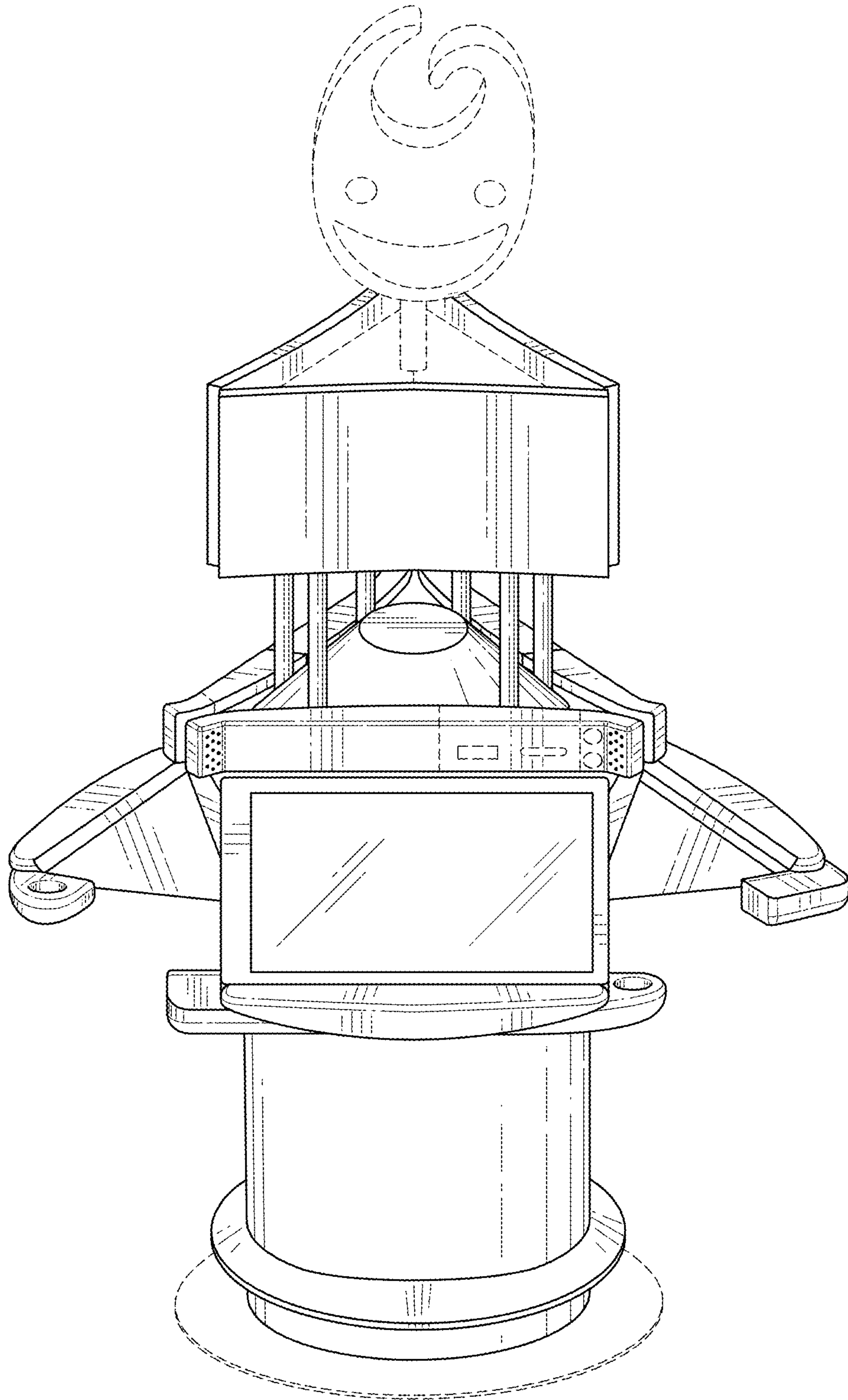


FIG. 7

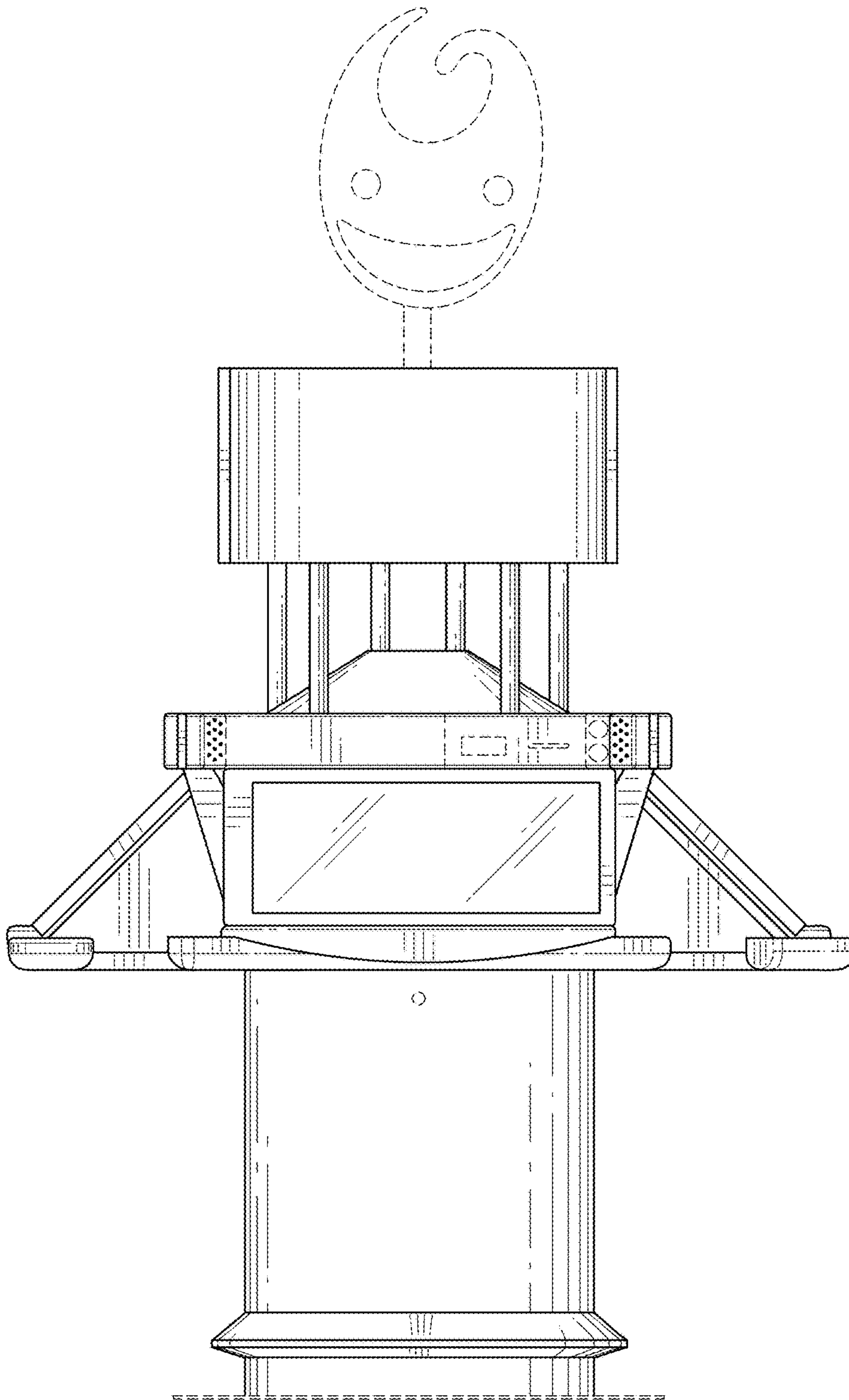


FIG. 8

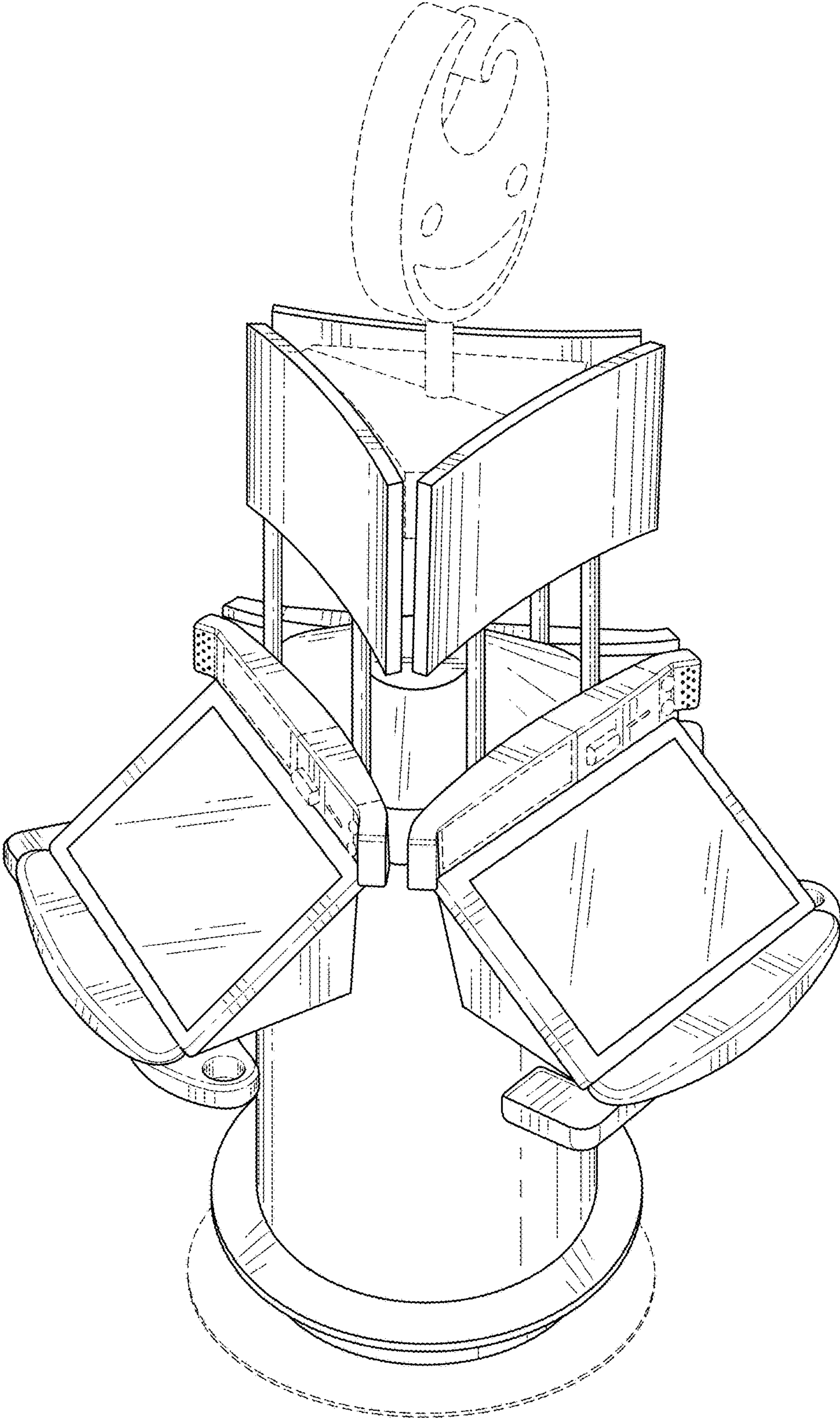


FIG. 9

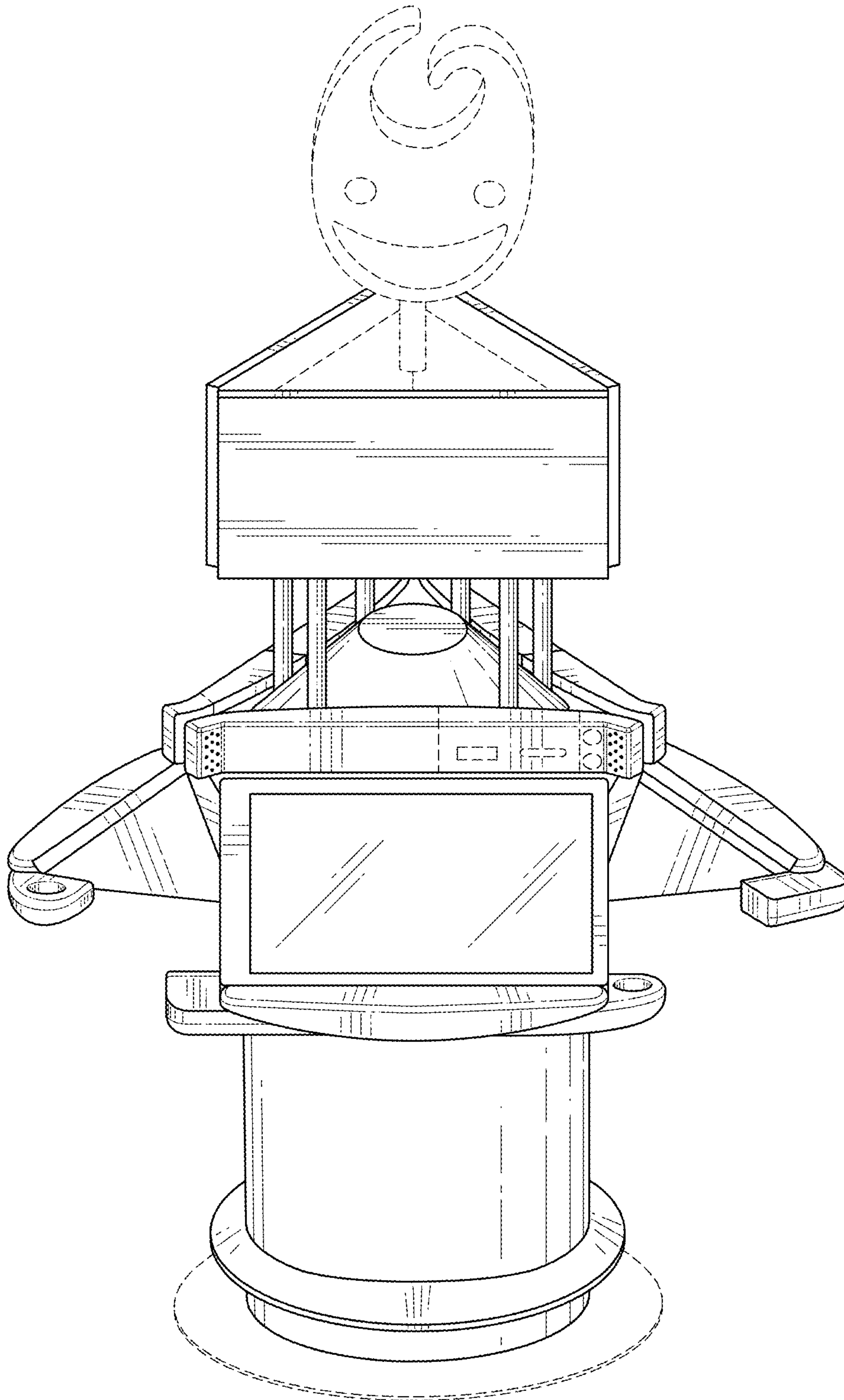


FIG. 10

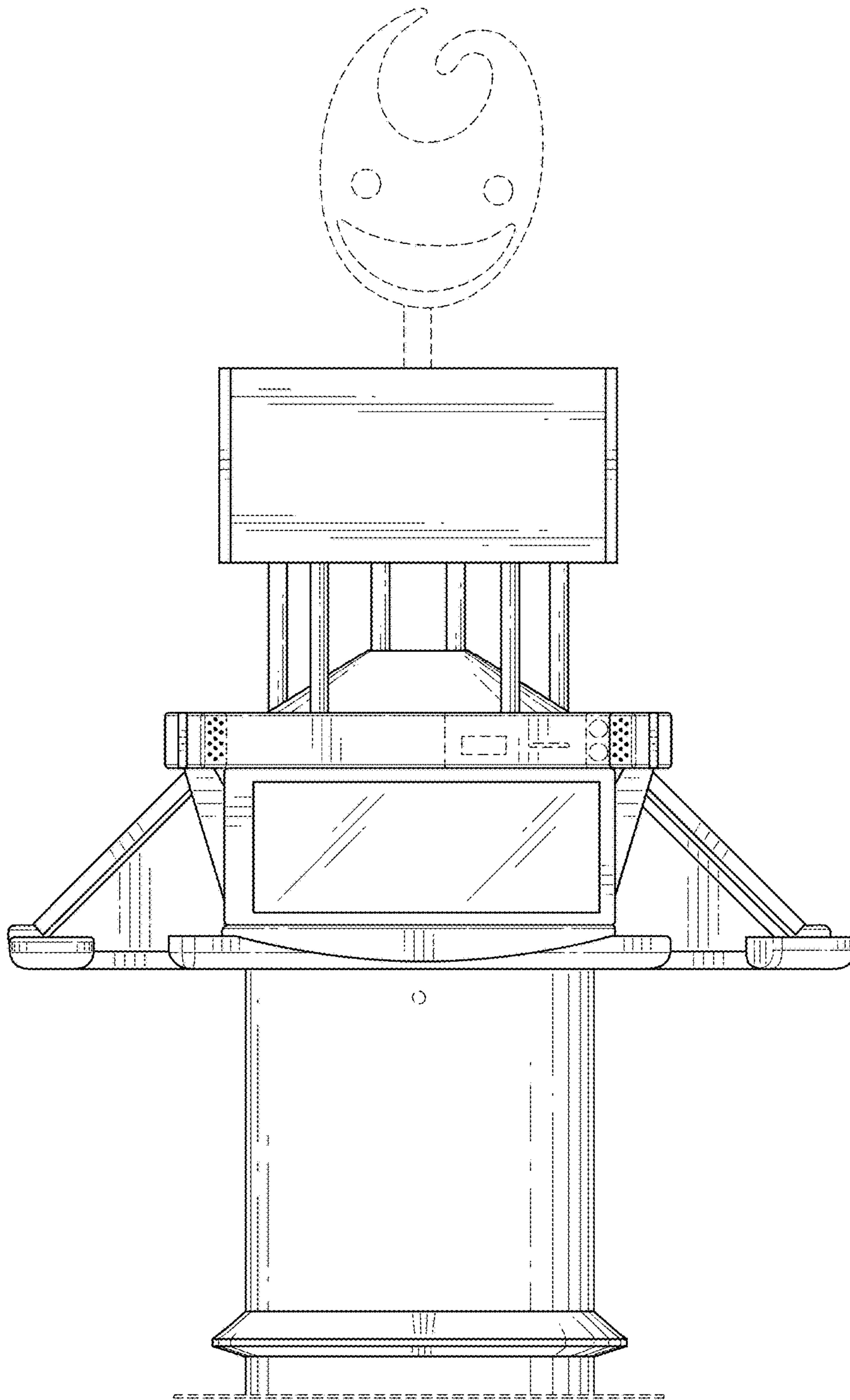


FIG. 11

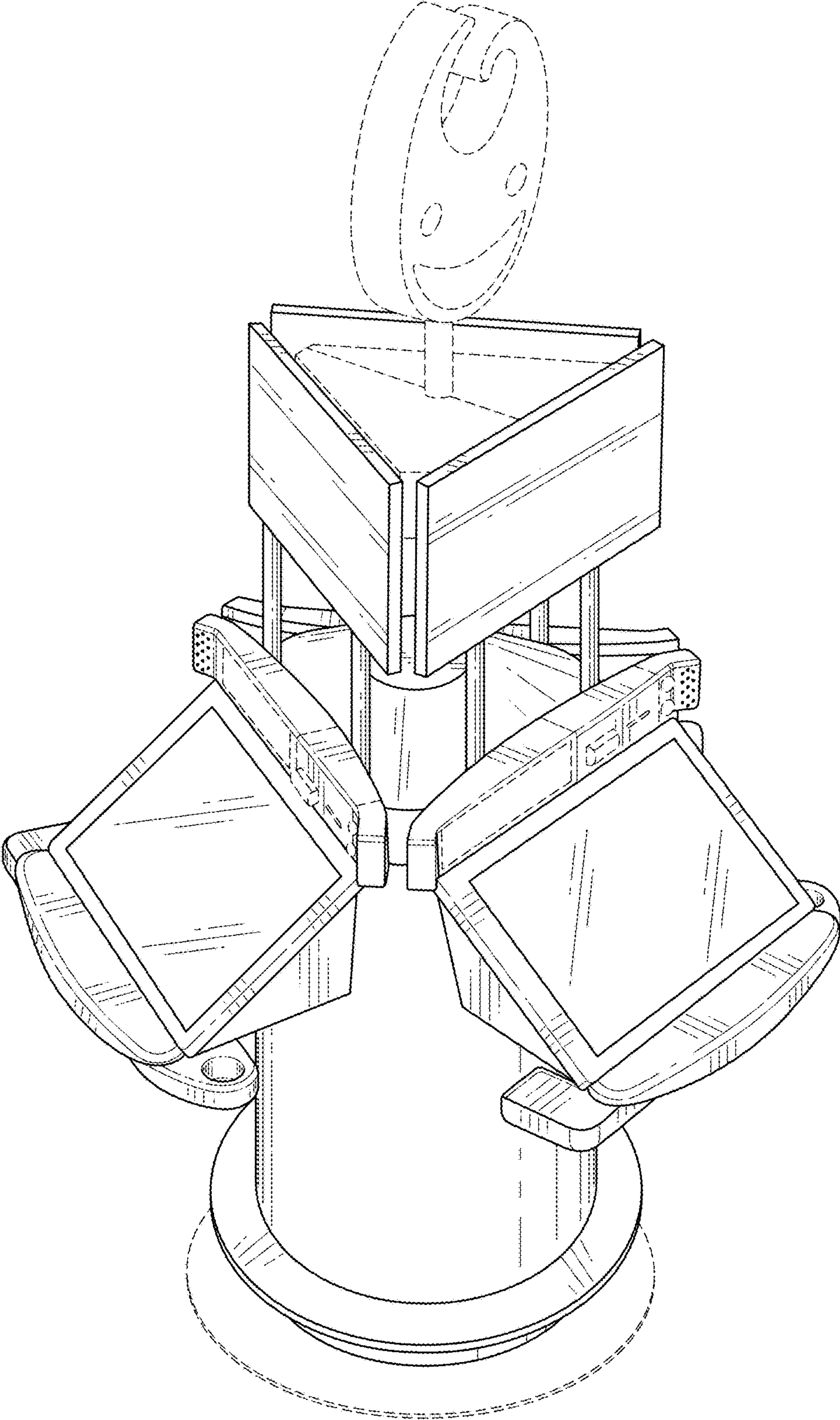


FIG. 12