



US00D780745S

(12) **United States Design Patent**
Cui

(10) **Patent No.:** **US D780,745 S**
(45) **Date of Patent:** **** Mar. 7, 2017**

(54) **MULTIMODE LAPTOP**

(71) Applicant: **Lenovo (Beijing) Co., Ltd.**, Beijing (CN)

(72) Inventor: **Boyu Cui**, Beijing (CN)

(73) Assignee: **Lenovo (Beijing) Co., Ltd.**, Beijing (CN)

(**) Term: **14 Years**

(21) Appl. No.: **29/520,303**

(22) Filed: **Mar. 13, 2015**

(30) **Foreign Application Priority Data**

Dec. 12, 2014 (CN) 2014 3 0523909

(51) **LOC (10) Cl.** **14-02**

(52) **U.S. Cl.**
USPC **D14/315**

(58) **Field of Classification Search**

USPC D14/315-327; D18/1, 2, 7, 11;
235/145 A, 145 R; 341/22, 23; 345/104,
345/156, 168, 169, 173; 361/679.08,
361/679.09, 679.11, 679.26, 679.27
CPC G06F 1/16; G06F 1/1616; G06F 1/1626;
G06F 1/1632; G06F 1/1613; G06F
1/1601; G06F 1/1618; G06F 1/162; G06F
1/166;

(Continued)

(56) **References Cited**

U.S. PATENT DOCUMENTS

D343,407 S * 1/1994 Kando D14/315
6,067,224 A * 5/2000 Nobuchi G06F 1/1688
361/679.21

(Continued)

Primary Examiner — Freda S Nunn

(74) *Attorney, Agent, or Firm* — Oppedahl Patent Law Firm LLC

(57) **CLAIM**

The ornamental design for a multimode laptop, as shown and described.

DESCRIPTION

FIG. 1 is a front view of our new design for a multimode laptop.

FIG. 2 is an enlarged view of the part circled in FIG. 1.

FIG. 3 is a rear view of our new design for a multimode laptop.

FIG. 4 is an enlarged view of the part circled in FIG. 3.

FIG. 5 is a left side view of our new design for a multimode laptop.

FIG. 6 is an enlarged view of the part circled in FIG. 5.

FIG. 7 is a right side view of our new design for a multimode laptop.

FIG. 8 is a top view of our new design for a multimode laptop.

FIG. 9 is an enlarged view of the part circled in FIG. 8.

FIG. 10 is a bottom view of our new design for a multimode laptop.

FIG. 11 is a perspective view of our new design for a multimode laptop.

FIG. 12 is an enlarged view of the part circled in FIG. 11.

FIG. 13 is a perspective view of our new design for a multimode laptop.

FIG. 14 is a perspective view of our new design for a multimode laptop.

FIG. 15 is a perspective view of our new design for a multimode laptop; and,

FIG. 16 is a perspective view of our new design for a multimode laptop.

1 Claim, 11 Drawing Sheets

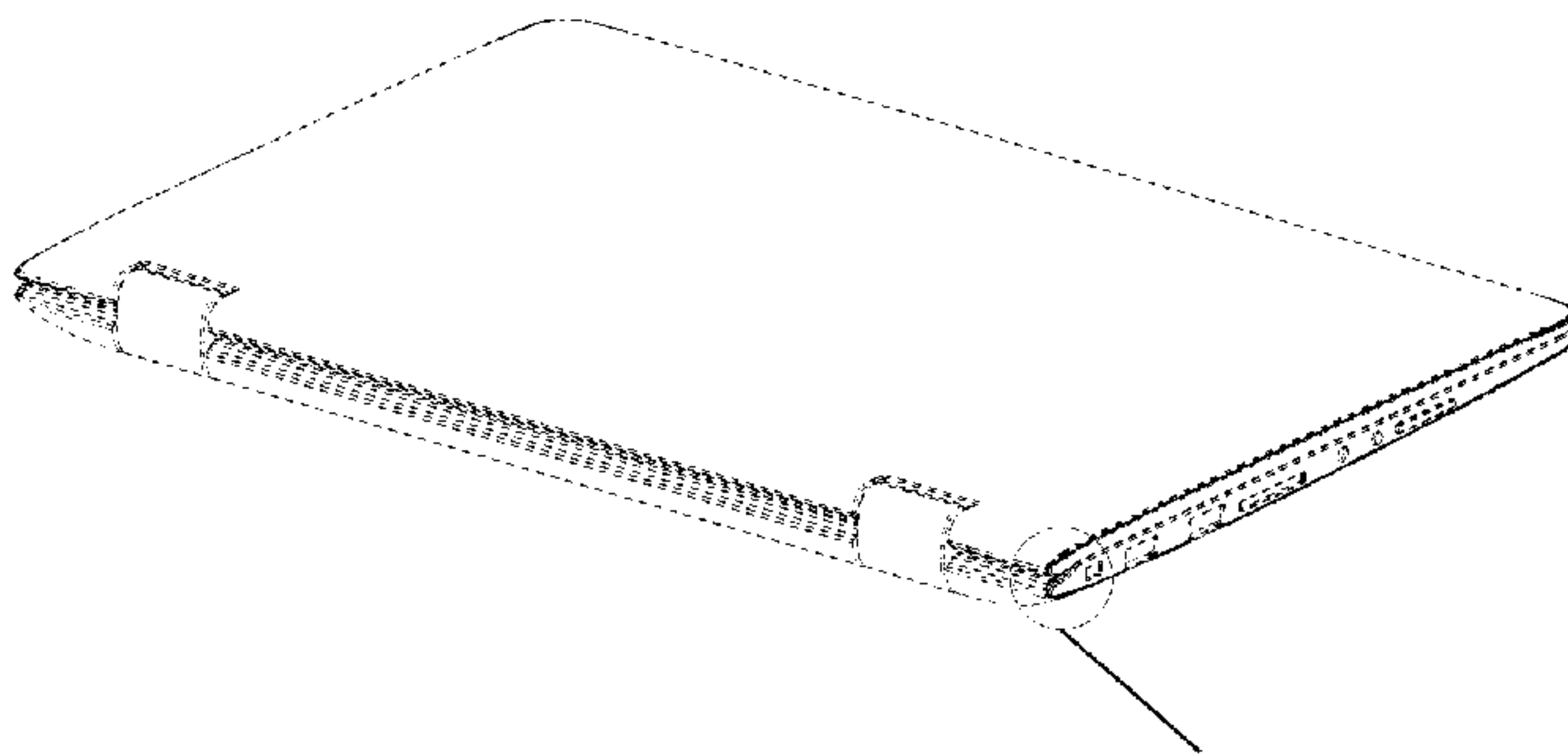
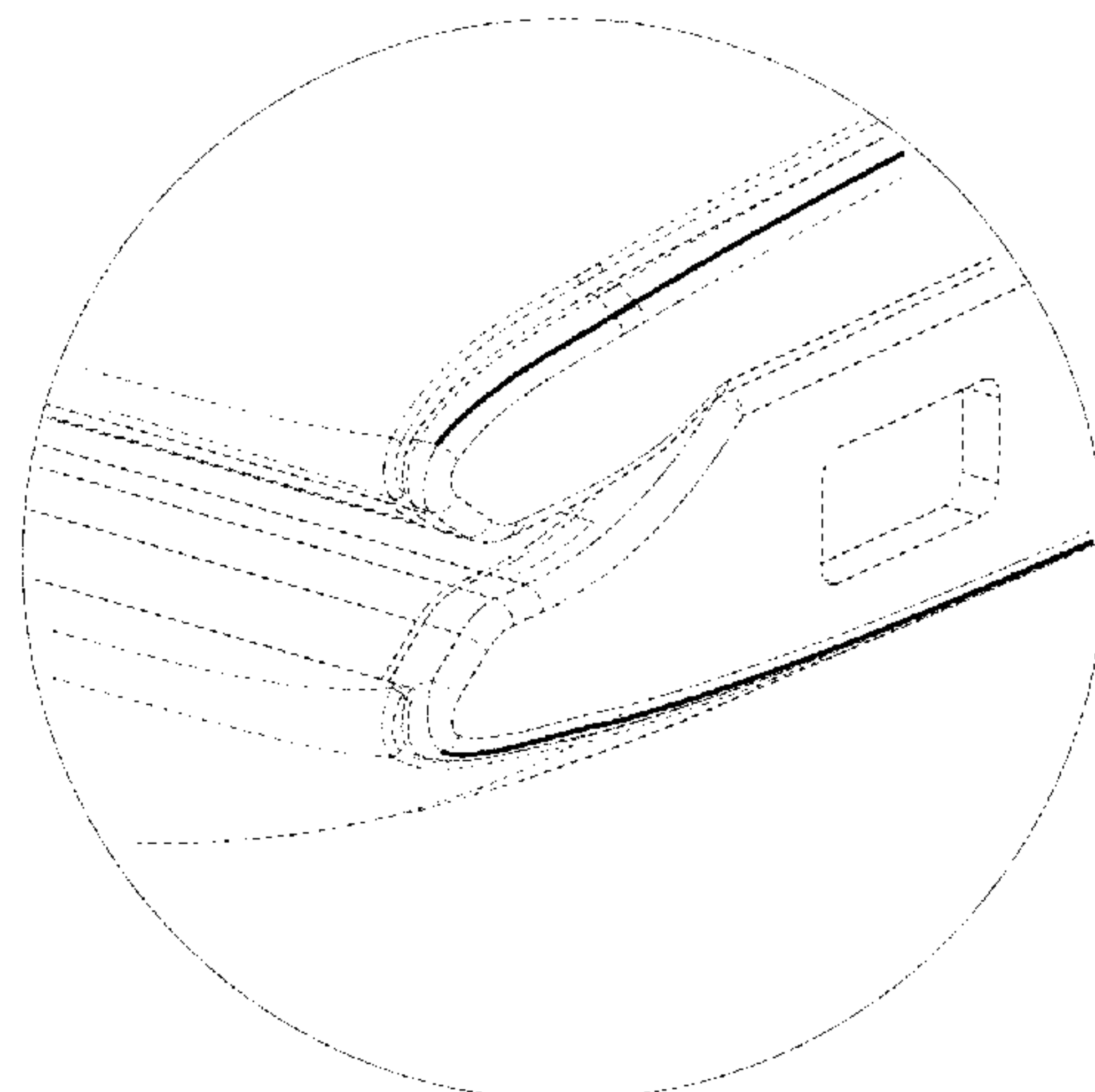


Figure 12



(58) **Field of Classification Search**

CPC G06F 1/1654; G06F 1/1681; G06F 1/1637;
G06F 1/1688; H01R 35/02; H03M 11/00;
G09B 13/04; H03K 17/94; G09G 5/00;
F16M 11/10; H05K 5/00; H04M 1/0237
See application file for complete search history.

(56) **References Cited**

U.S. PATENT DOCUMENTS

D463,797 S *	10/2002	Andre	D14/327
6,775,129 B1 *	8/2004	Ghosh	G06F 1/162
			361/679.09
D578,524 S *	10/2008	Yoon	D14/319
D589,506 S *	3/2009	Gluskoter	D14/315
D591,282 S *	4/2009	Jen	D14/315
D615,539 S *	5/2010	Jen	D14/315
D617,789 S *	6/2010	Akana	D14/318
D664,532 S *	7/2012	Lee	D14/315
D714,777 S *	10/2014	Chang	D14/315

* cited by examiner

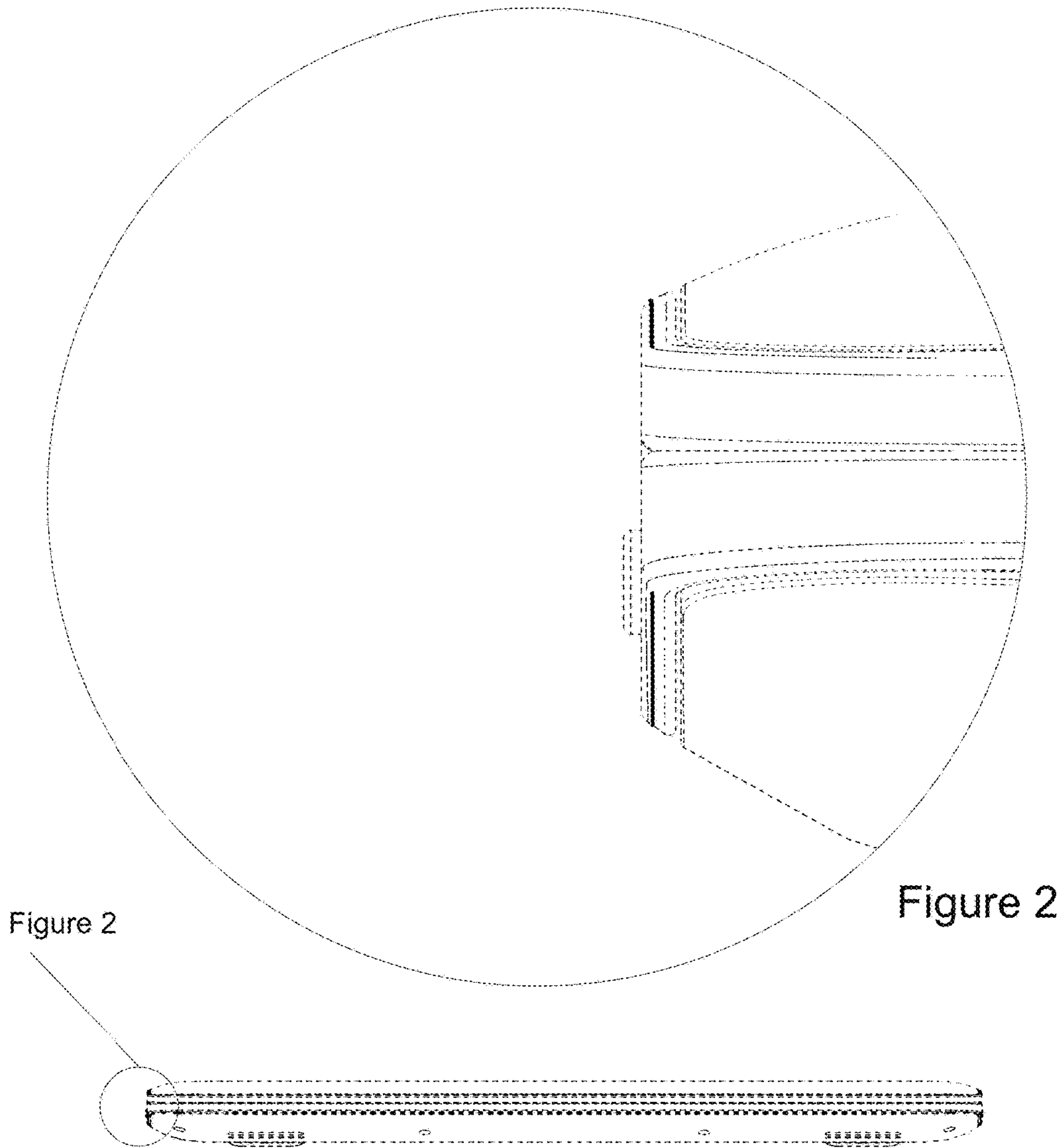


Figure 1

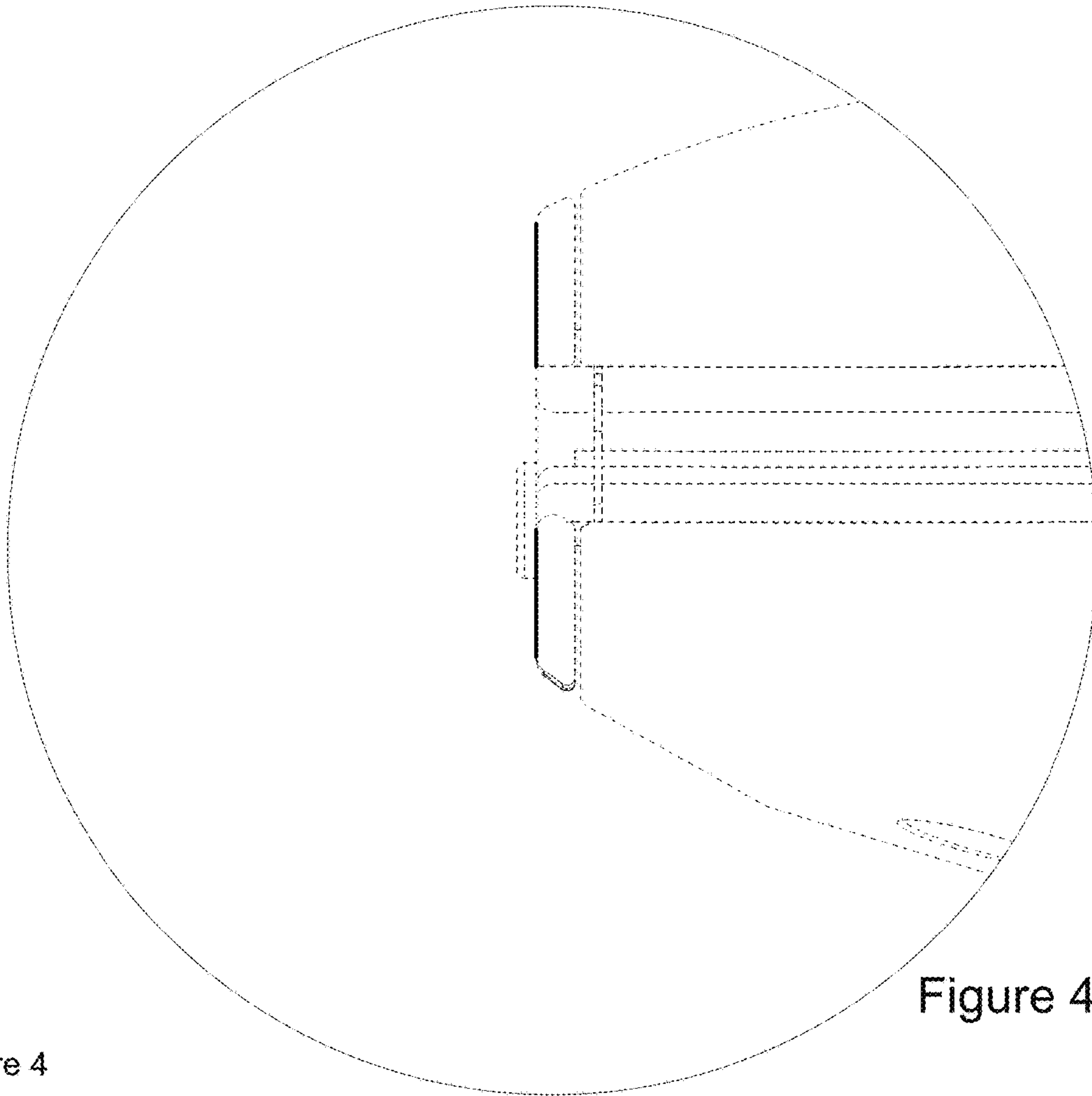


Figure 4

Figure 4

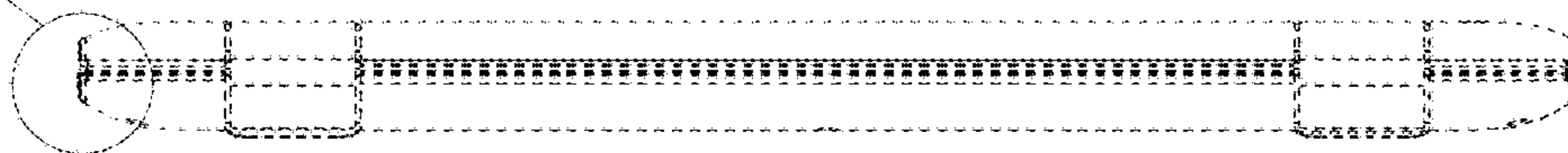


Figure 3

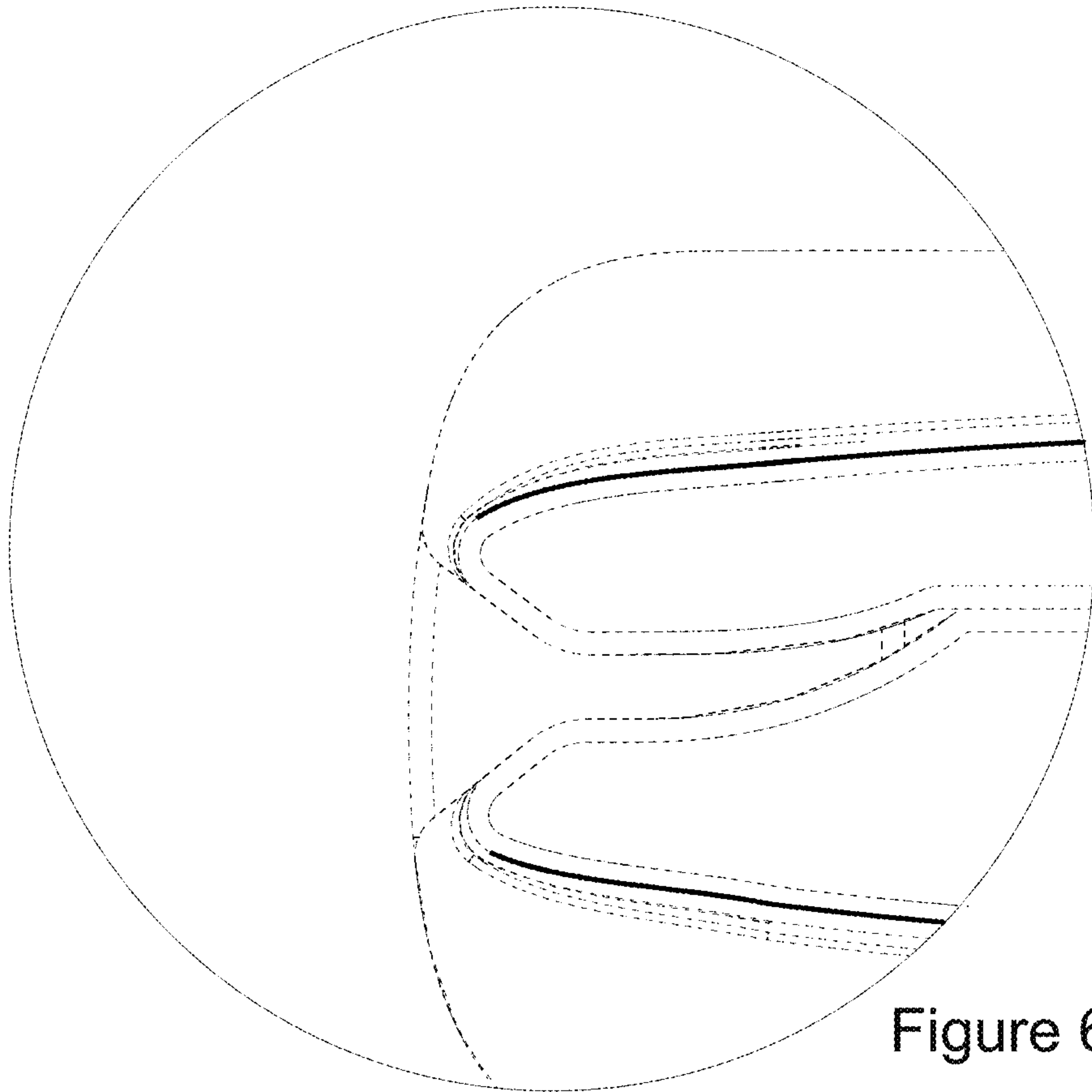


Figure 6

Figure 6

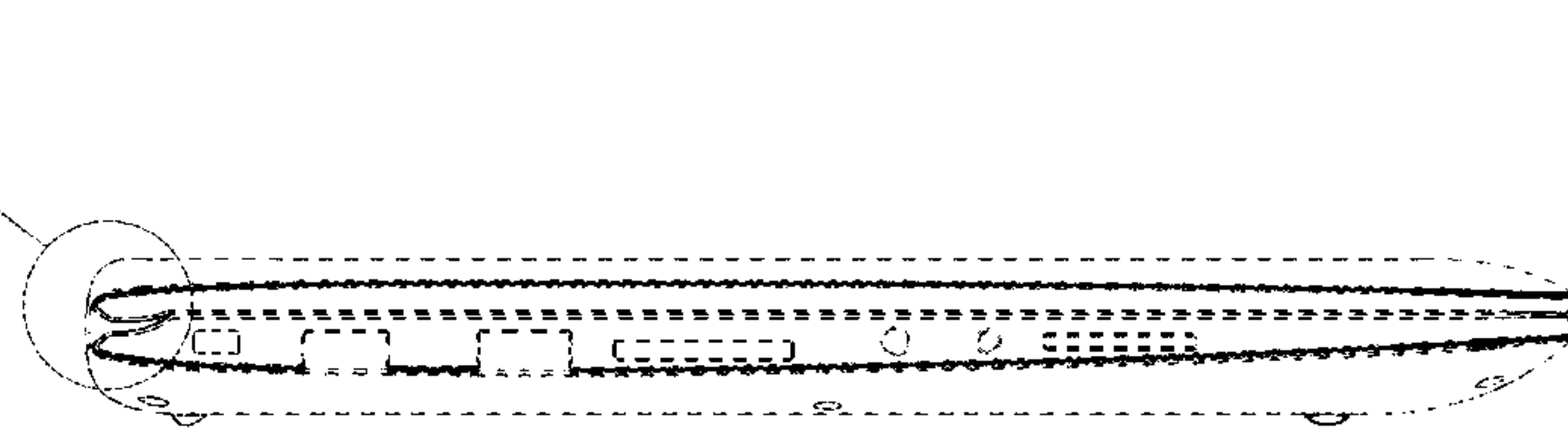


Figure 5

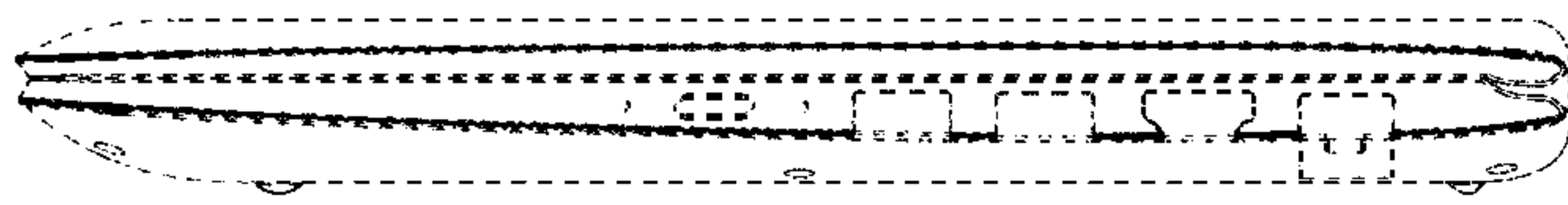


Figure 7

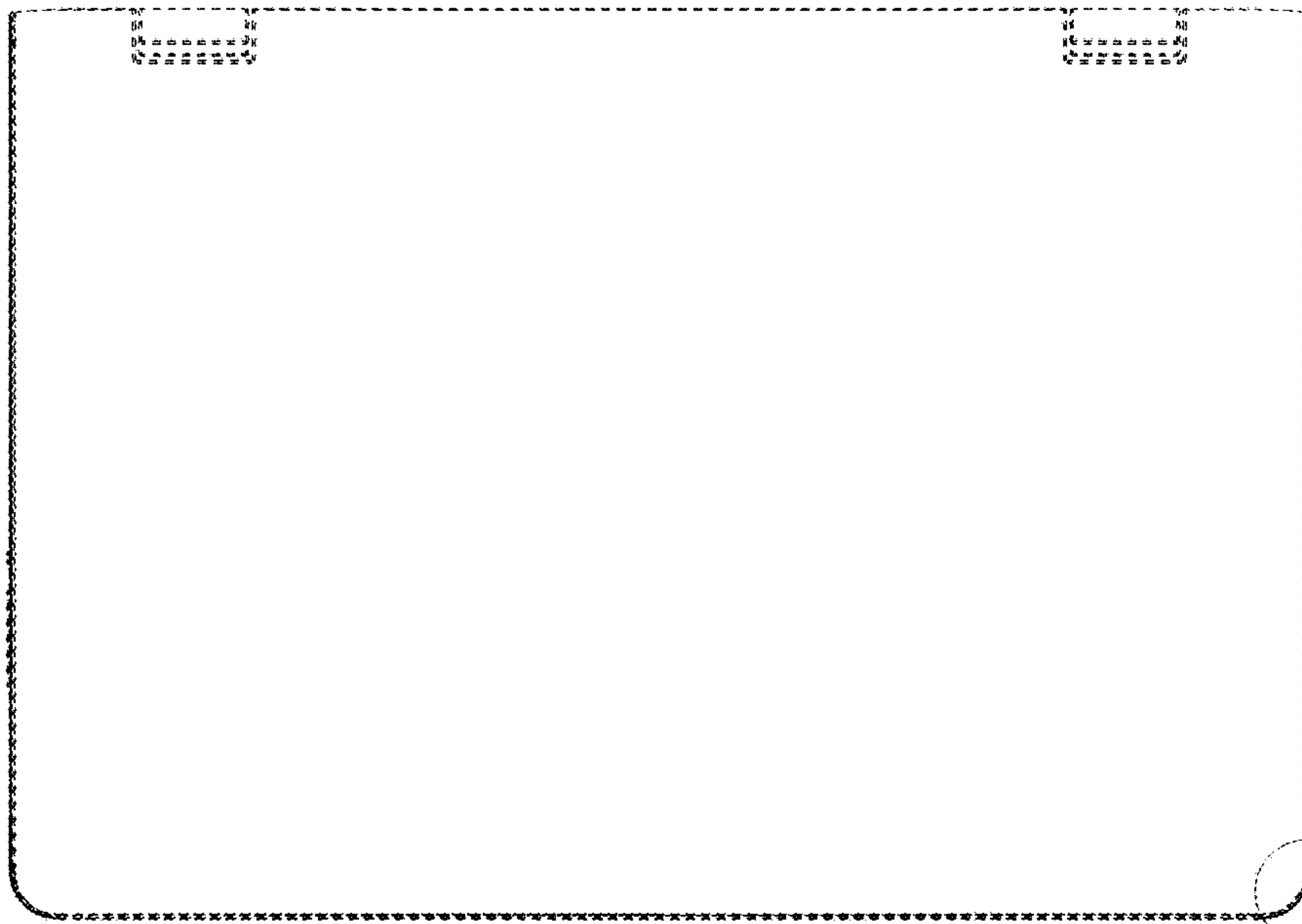


Figure 8

Figure 9

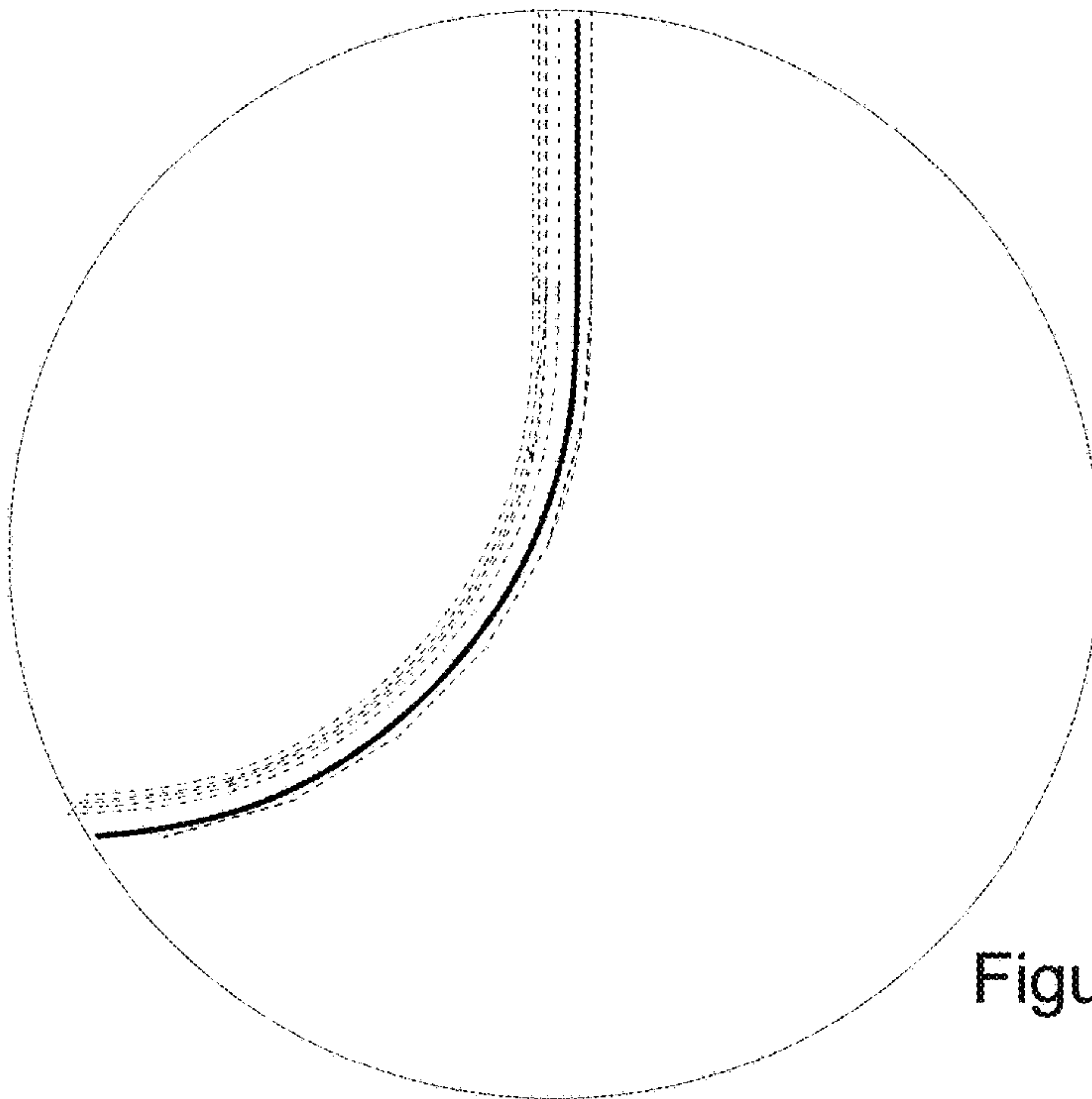


Figure 9

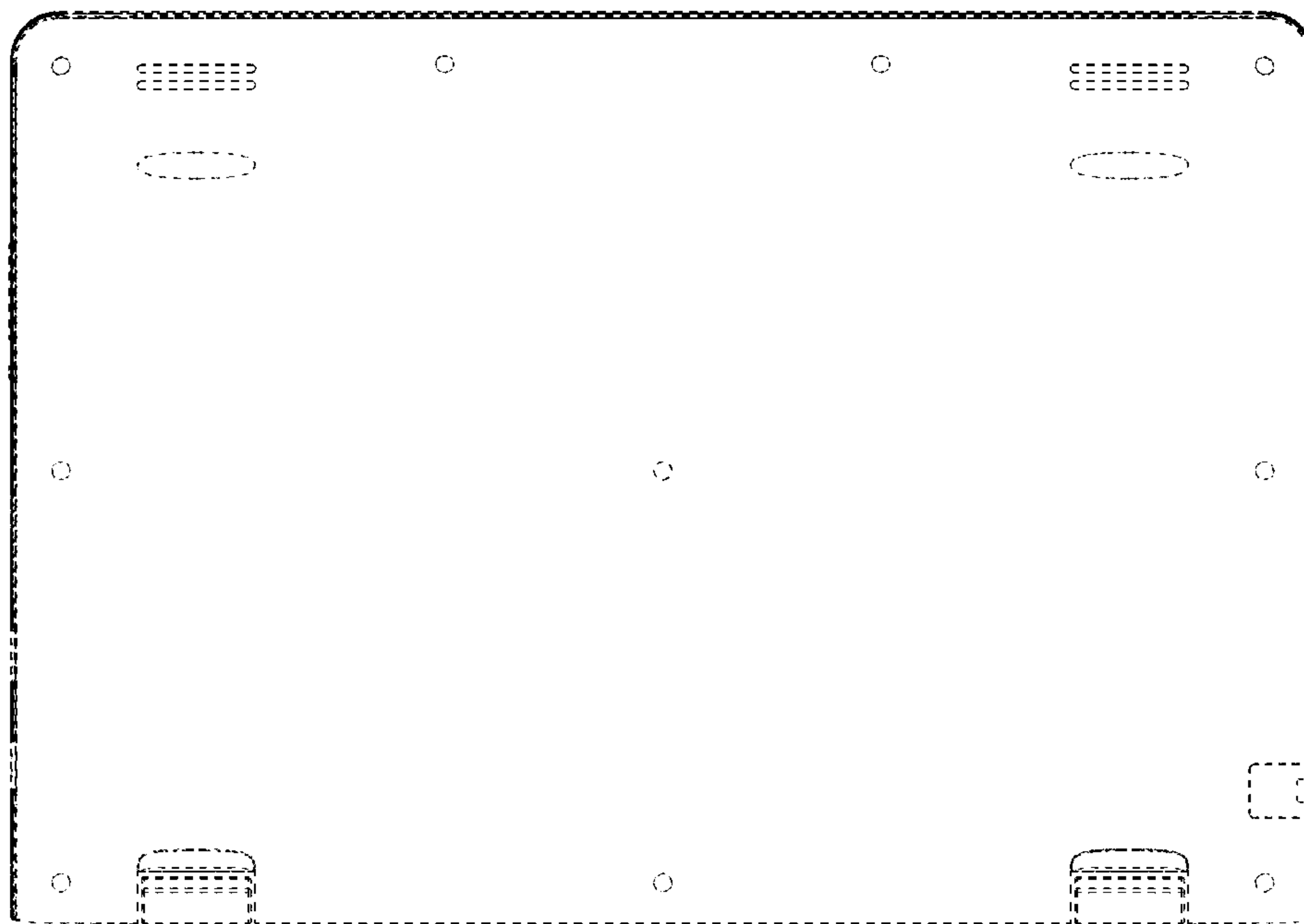


Figure 10

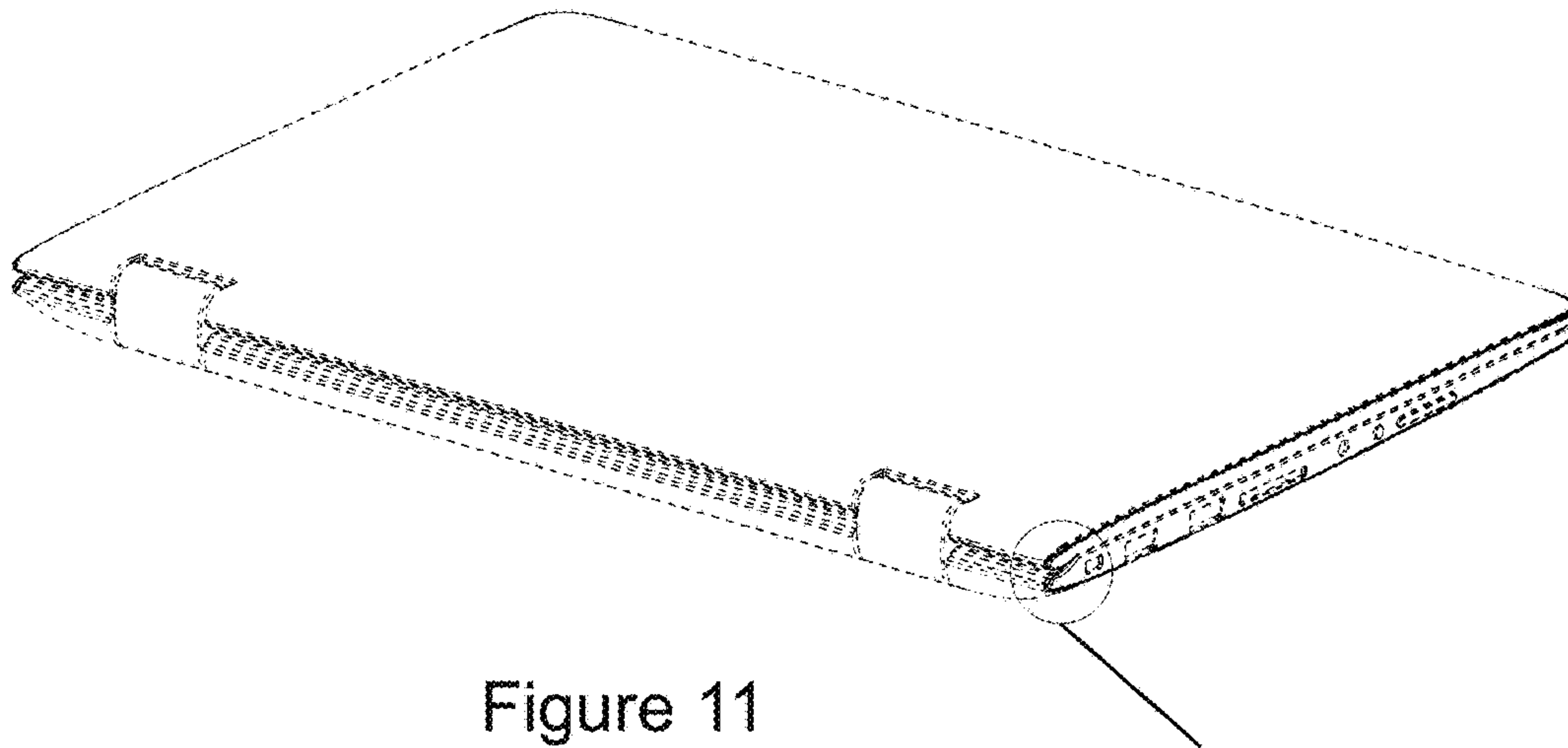


Figure 11

Figure 12

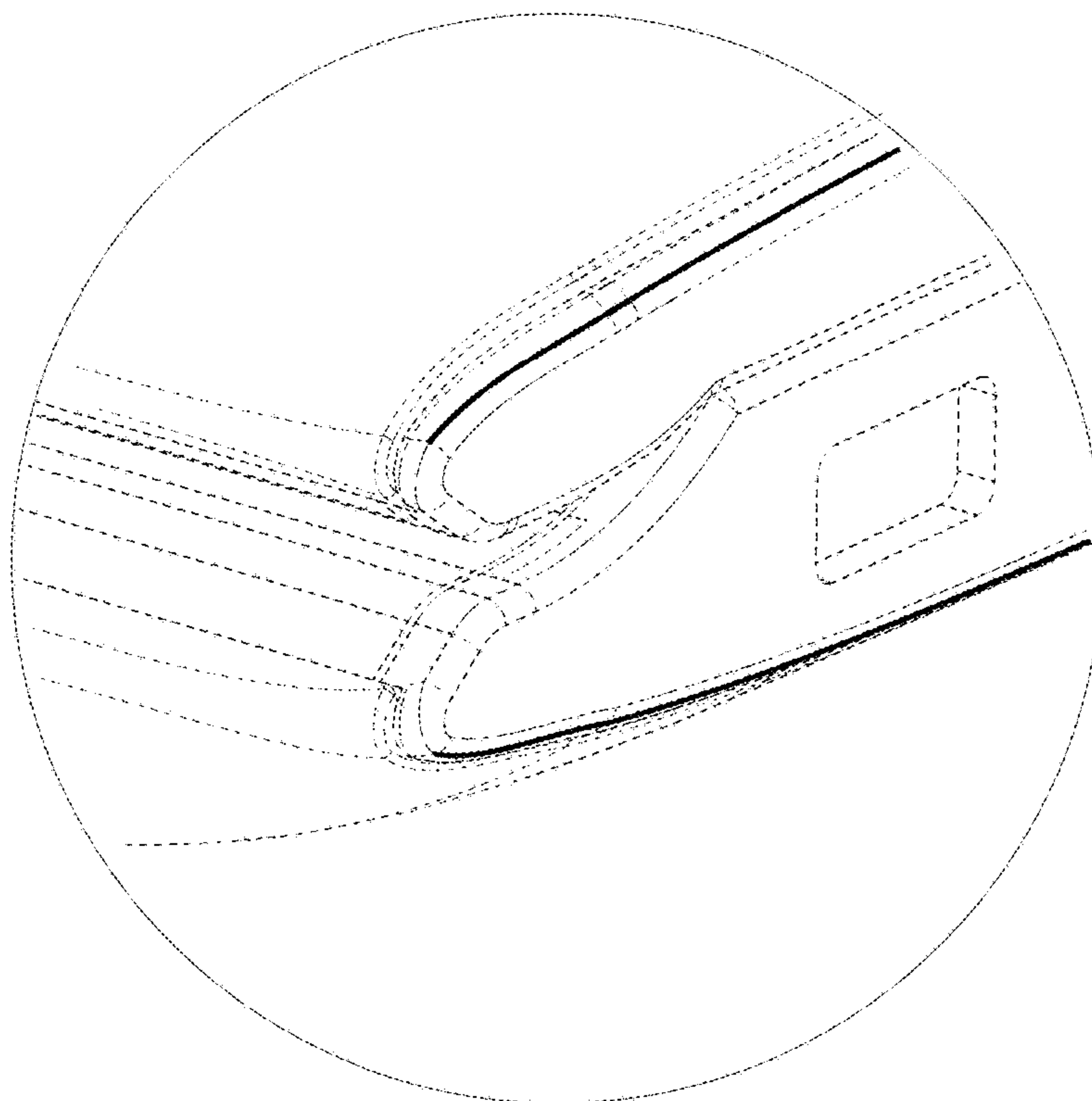


Figure 12

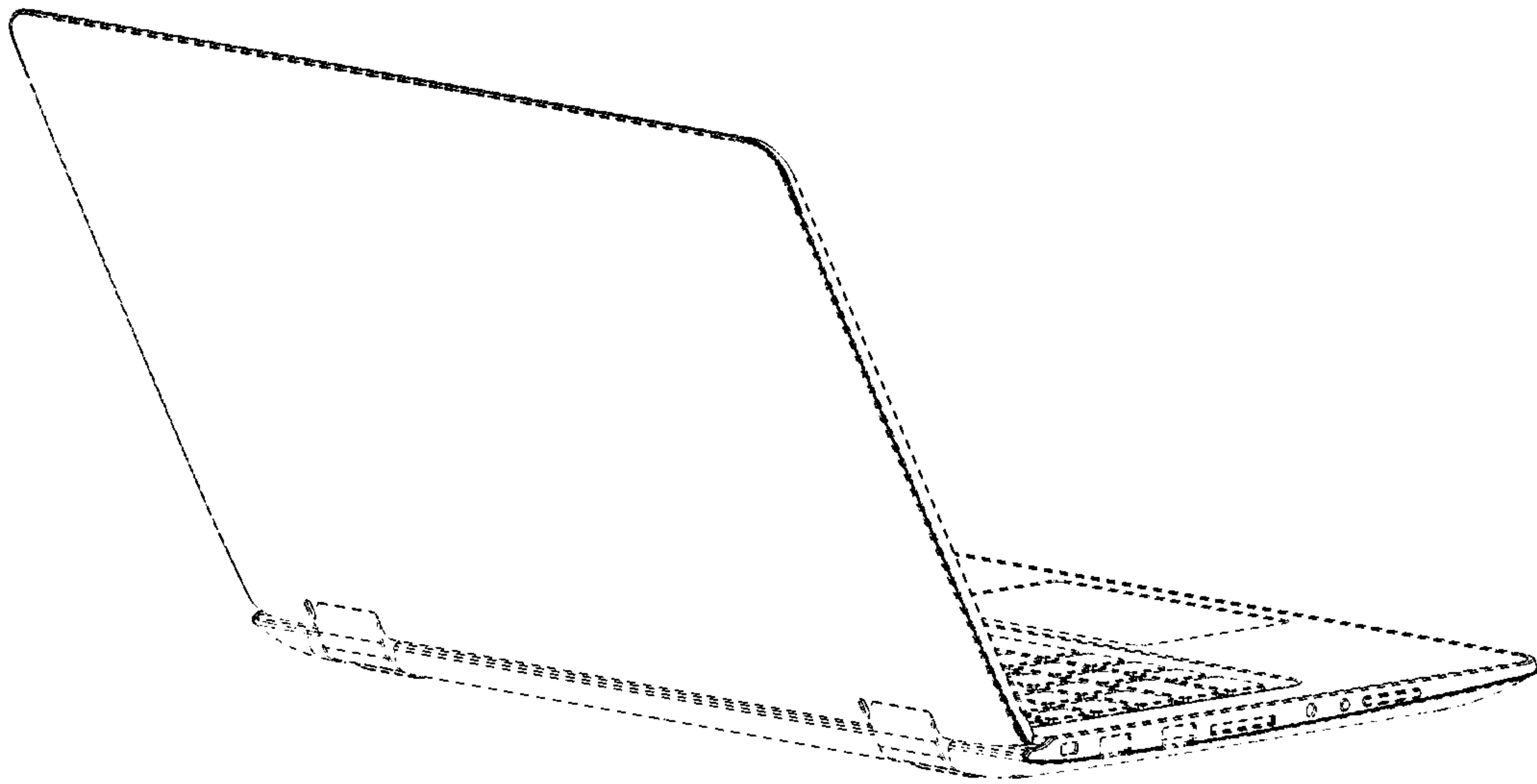


Figure 13

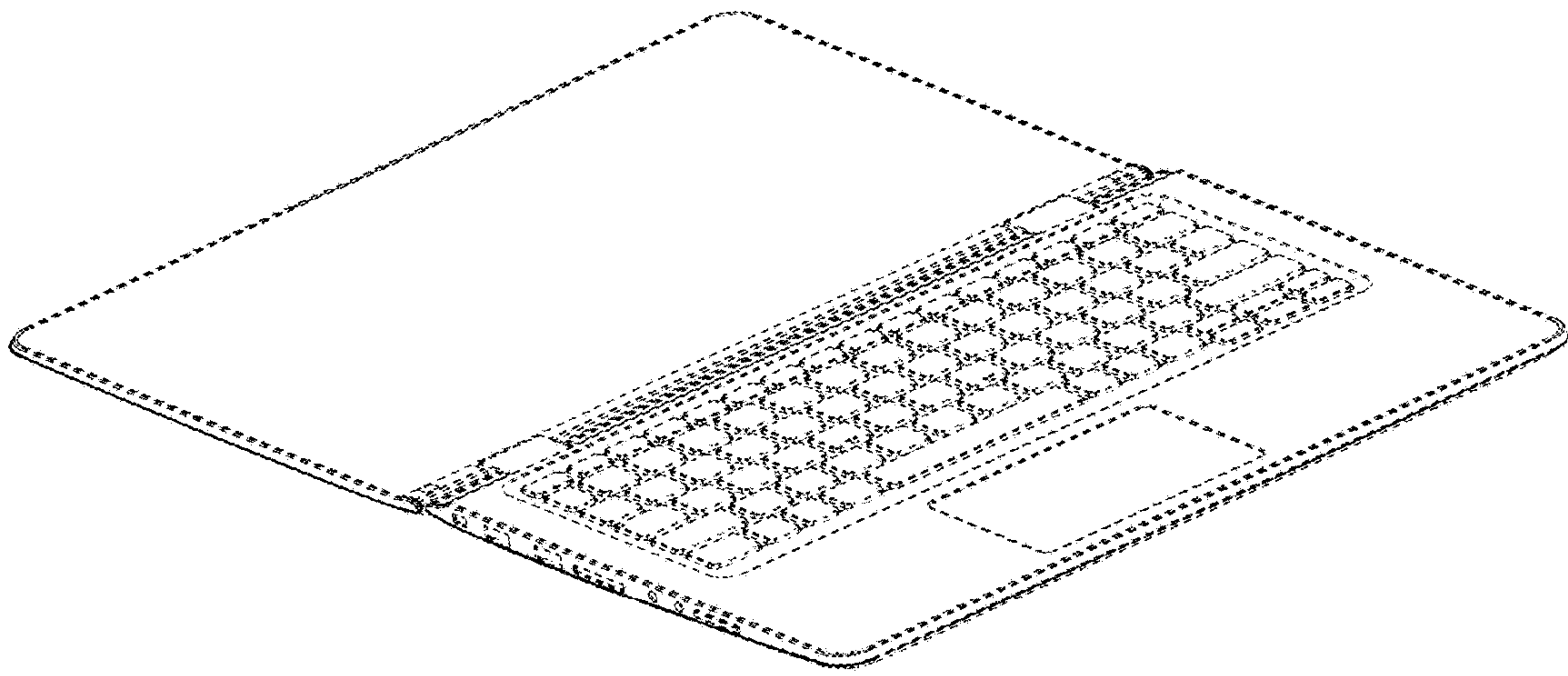


Figure 14

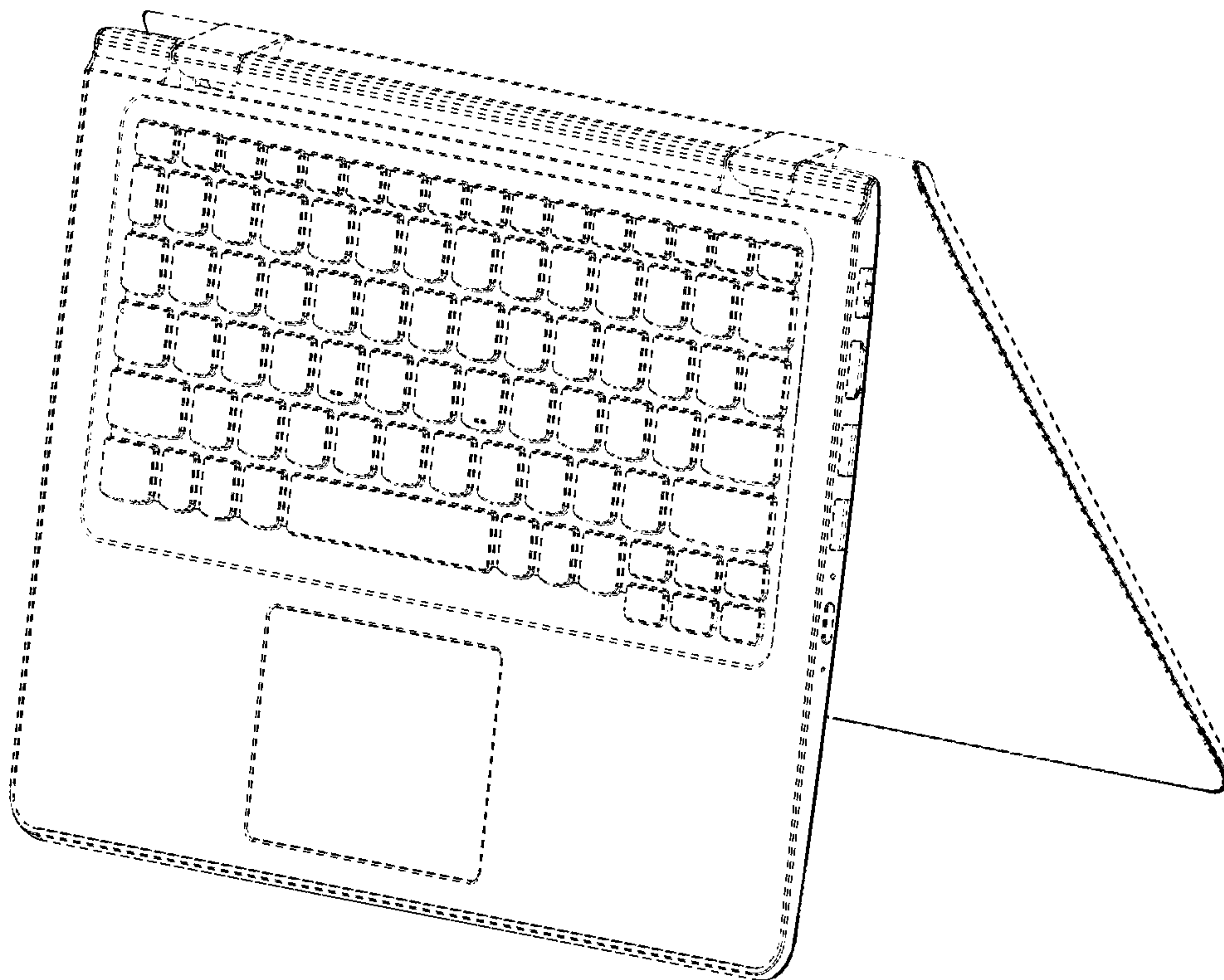


Figure 15

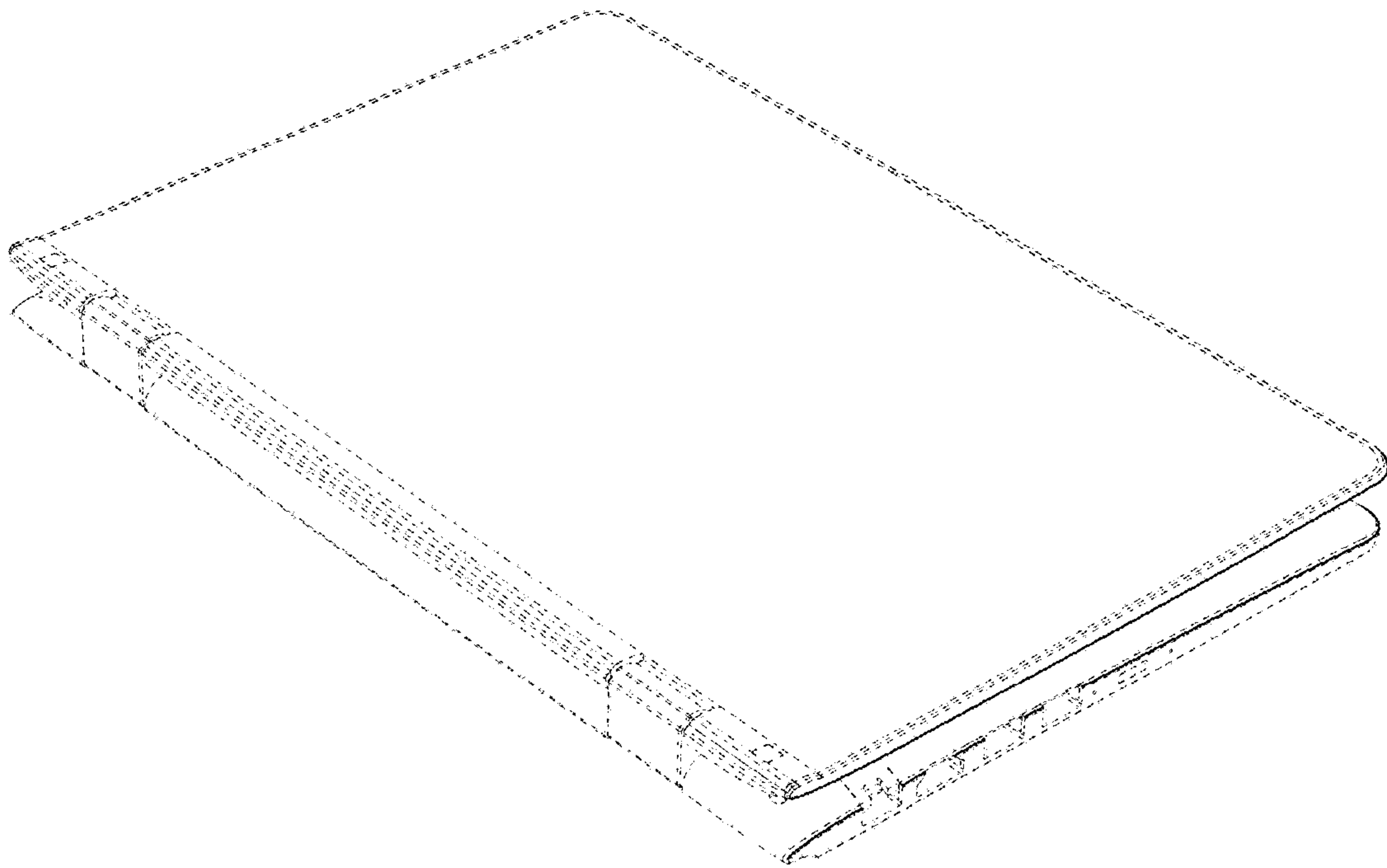


Figure 16