



US00D780744S

(12) **United States Design Patent**
Birgeoglu

(10) **Patent No.:** **US D780,744 S**
(45) **Date of Patent:** **** Mar. 7, 2017**

- (54) **KIOSK SYSTEM**
- (71) Applicant: **Zivelo, Inc.**, Scottsdale, AZ (US)
- (72) Inventor: **Zubair Birgeoglu**, Scottsdale, AZ (US)
- (73) Assignee: **Zivelo Inc.**, Scottsdale, AZ (US)
- (**) Term: **14 Years**
- (21) Appl. No.: **29/513,996**
- (22) Filed: **Jan. 7, 2015**

- D357,495 S 4/1995 Skaggs et al.
- D360,764 S 8/1995 Collins
- D364,382 S 11/1995 Yamamoto
- D377,012 S 12/1996 Oslund

(Continued)

FOREIGN PATENT DOCUMENTS

KR 30-0567152 7/2010

Primary Examiner — Austin Murphy

(74) *Attorney, Agent, or Firm* — Mintz Levin Cohn Ferris Glovsky and Popeo, P.C.

(57) **CLAIM**

The ornamental design for a kiosk system, as shown and described.

DESCRIPTION

FIG. 1 is a top, front, and right side perspective of an embodiment of a kiosk system embodying my new design; FIG. 2 is a front view of the embodiment of FIG. 1; FIG. 3 is a back view of the embodiment of FIG. 1; FIG. 4 is a right side view of the embodiment of FIG. 1; FIG. 5 is a left side view of the embodiment of FIG. 1; FIG. 6 is a bottom view of the embodiment of FIG. 1; FIG. 7 is a top view of the embodiment of FIG. 1; FIG. 8 is a top, front, and right side perspective of another embodiment of a kiosk system embodying my new design; FIG. 9 is a front view of the embodiment of FIG. 8; FIG. 10 is a back view of the embodiment of FIG. 8; FIG. 11 is a right side view of the embodiment of FIG. 8; FIG. 12 is a left side view of the embodiment of FIG. 8; FIG. 13 is a bottom view of the embodiment of FIG. 8; and, FIG. 14 is a top view of the embodiment of FIG. 8.

Related U.S. Application Data

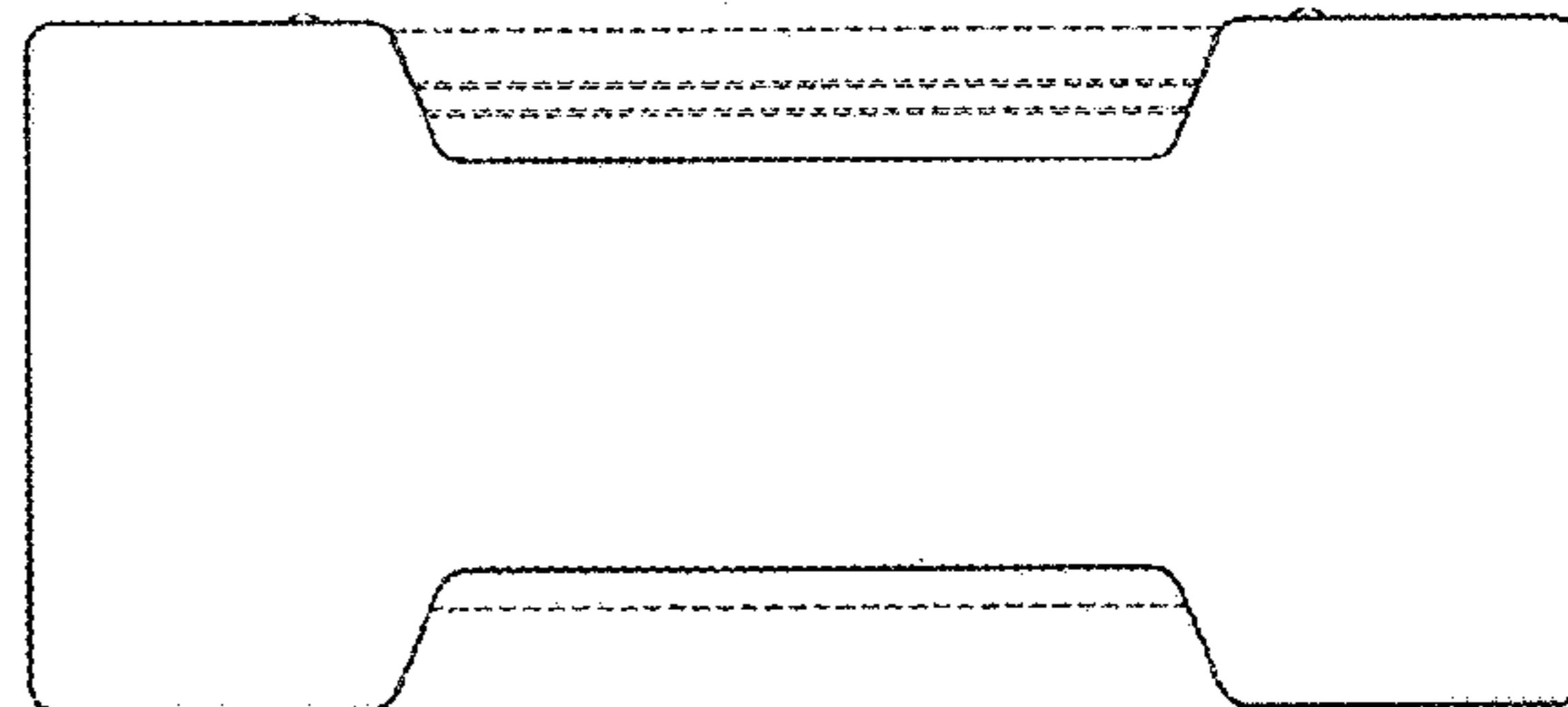
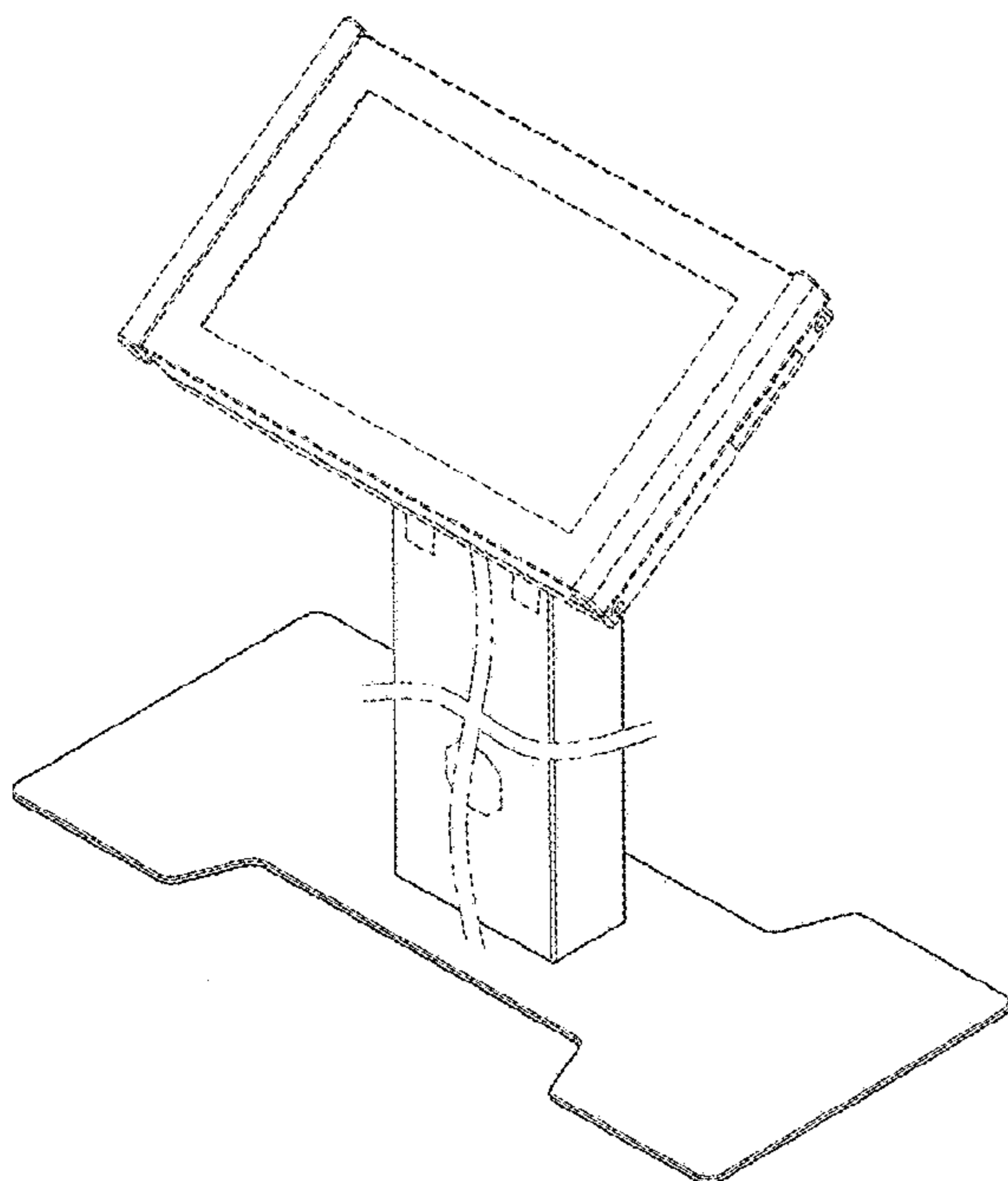
- (62) Division of application No. 29/414,671, filed on Mar. 1, 2012, now Pat. No. Des. 721,695.
- (51) **LOC (10) Cl.** **14-02**
- (52) **U.S. Cl.**
USPC **D14/307**
- (58) **Field of Classification Search**
USPC . D14/302-307, 900-902; D13/163; D20/10; D21/332, 325, 369, 370; D99/28; D6/397, D6/466; 194/206; 361/679.01, 679.02, 361/679.04, 679.21, 679.57, 725
CPC G06Q 20/18; G06Q 20/10; G06Q 20/123; G06Q 20/20; G06Q 30/02; G06Q 30/06; A47F 9/047
See application file for complete search history.

(56) **References Cited**

U.S. PATENT DOCUMENTS

- D327,766 S 7/1992 Swaine et al.
- D350,566 S 9/1994 Pearson

1 Claim, 12 Drawing Sheets



(56)

References Cited

U.S. PATENT DOCUMENTS

D377,784 S 2/1997 Wilson
 D378,082 S 2/1997 Wilson
 D389,522 S 1/1998 Hesselbach et al.
 D391,565 S 3/1998 Nanjo
 D397,562 S 9/1998 DePottey et al.
 D403,670 S 1/1999 Liao
 D415,124 S 10/1999 Rooyakkers et al.
 D415,330 S 10/1999 King
 D417,440 S 12/1999 Wilson
 D417,893 S 12/1999 Hunter et al.
 D436,999 S 1/2001 Cronley
 D442,560 S 5/2001 Price et al.
 D468,134 S 1/2003 Oikawa
 D473,554 S 4/2003 Landerholm et al.
 D493,816 S 8/2004 Butler
 D503,120 S 3/2005 Sato et al.
 D504,892 S 5/2005 Chen et al.
 D515,080 S 2/2006 Esplo
 D518,480 S * 4/2006 Zheng D14/307
 D525,592 S * 7/2006 Nguyen D13/163
 D546,893 S * 7/2007 Yamashita D21/325
 D563,405 S * 3/2008 Taniho D14/336
 D569,898 S * 5/2008 Masuda D18/4.5
 D572,942 S * 7/2008 Robbins D6/675.4
 D574,377 S * 8/2008 Derocher D14/307
 D585,943 S * 2/2009 Pymm D20/10
 D587,296 S 2/2009 Kuramochi
 D587,700 S 3/2009 Corti et al.
 D589,830 S 4/2009 Friedli
 D590,387 S 4/2009 Chen
 D594,068 S 6/2009 Hsu
 D605,189 S 12/2009 Kuroda
 D605,191 S 12/2009 Kuroda et al.
 D621,513 S 8/2010 Cinqualbre
 D627,397 S 11/2010 Horn et al.
 D637,595 S 5/2011 Mizusugi
 D639,800 S 6/2011 Magruder
 D646,269 S 10/2011 Crick, Jr. et al.
 D648,818 S 11/2011 Zalar
 D653,835 S 2/2012 Strempack et al.
 D661,124 S 6/2012 Curbun et al.
 D661,291 S 6/2012 Renukanand et al.

D661,292 S 6/2012 Kuroda et al.
 D661,293 S 6/2012 Kuroda et al.
 D662,329 S 6/2012 Arko et al.
 D665,555 S 8/2012 Lee et al.
 D669,464 S * 10/2012 Birgeoglu D14/307
 D669,891 S 10/2012 Bowles et al.
 D675,608 S 2/2013 Ono
 D675,610 S 2/2013 Ono
 D676,038 S 2/2013 Masuda et al.
 D681,639 S 5/2013 Cruz et al.
 D692,885 S * 11/2013 Cruz D14/307
 D693,607 S * 11/2013 Johnson D6/672
 D695,285 S 12/2013 Smith et al.
 D697,062 S 1/2014 Nagai et al.
 D702,675 S 4/2014 Jones
 D702,676 S 4/2014 Smith et al.
 D705,213 S 5/2014 Smith et al.
 D707,012 S * 6/2014 Swaine D99/28
 D707,674 S 6/2014 Daniel
 D707,676 S 6/2014 Azuma
 D707,677 S 6/2014 Azuma
 D708,459 S 7/2014 Heirakuji et al.
 D709,952 S 7/2014 Logan et al.
 D711,472 S 8/2014 Rotelli, III et al.
 D711,870 S 8/2014 Johnson et al.
 D717,785 S 11/2014 Winston et al.
 D721,695 S * 1/2015 Birgeoglu D14/307
 D721,696 S * 1/2015 Birgeoglu D14/307
 D722,313 S * 2/2015 Birgeoglu D14/307
 D722,794 S * 2/2015 Luong D20/19
 D723,025 S * 2/2015 Birgeoglu D14/307
 D723,026 S * 2/2015 Birgeoglu D14/307
 D726,706 S * 4/2015 Kraft D14/307
 D727,308 S * 4/2015 Kraft D14/307
 D732,520 S * 6/2015 Themann D14/307
 D732,522 S * 6/2015 Chadbourne D14/307
 D734,315 S 7/2015 Masuda et al.
 D751,061 S * 3/2016 Berini D14/307
 D752,032 S * 3/2016 Taylor D14/307
 2002/0124271 A1 9/2002 Herrmann et al.
 2002/0198034 A1 12/2002 Wang
 2007/0143341 A1 6/2007 Brownell et al.
 2009/0289104 A1 11/2009 Yoneda
 2011/0192681 A1 8/2011 Johnson et al.

* cited by examiner

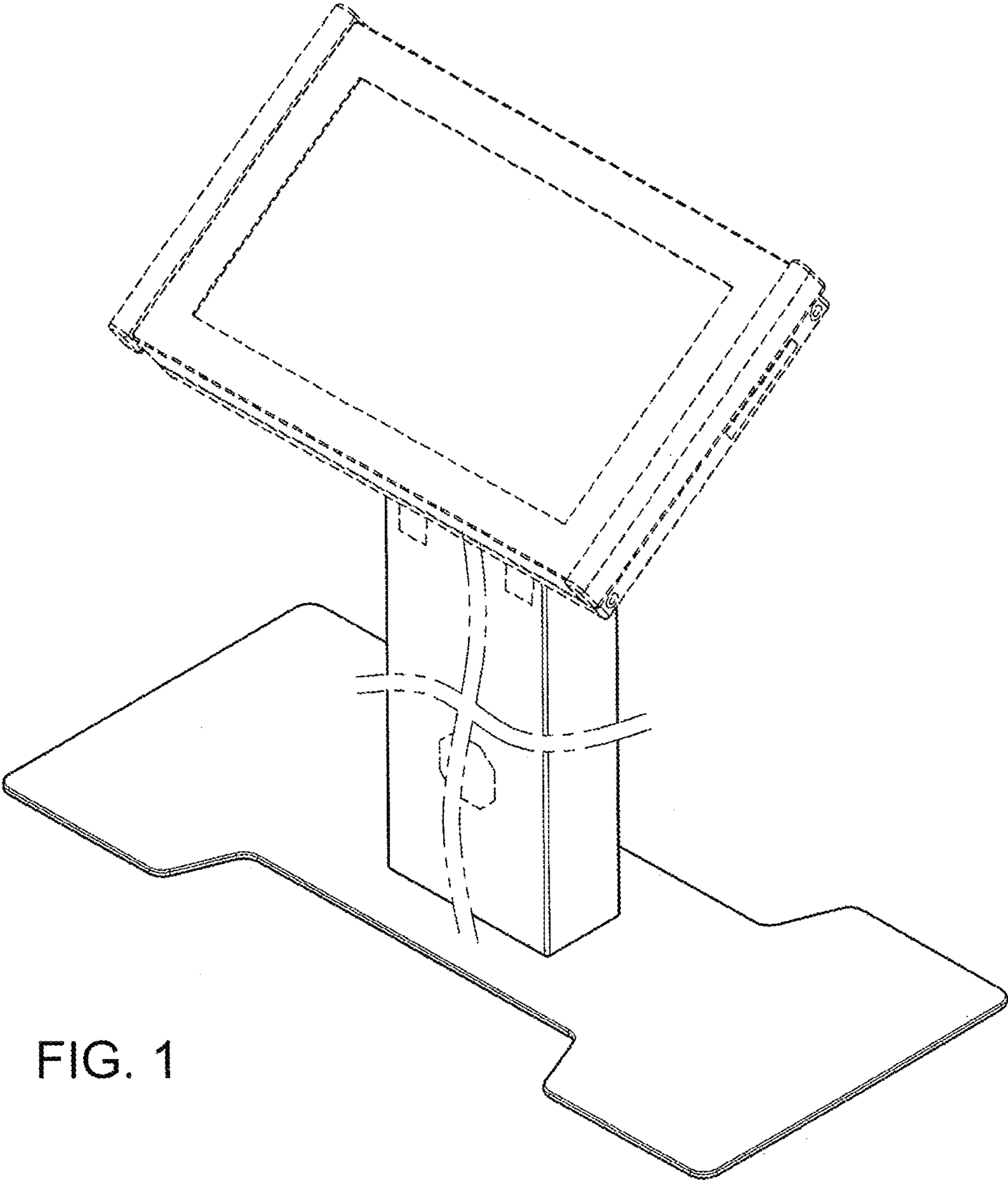


FIG. 1

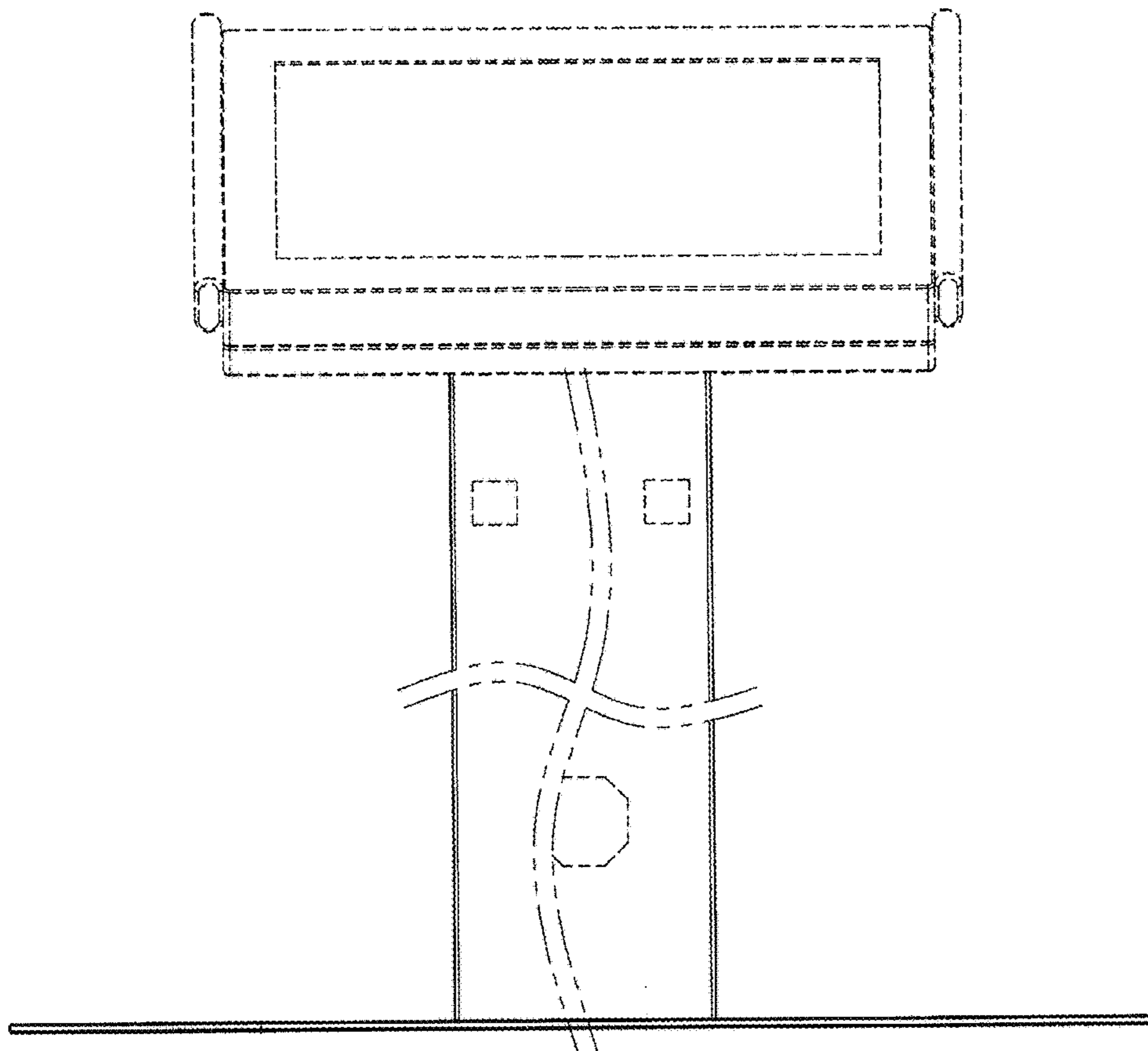


FIG. 2

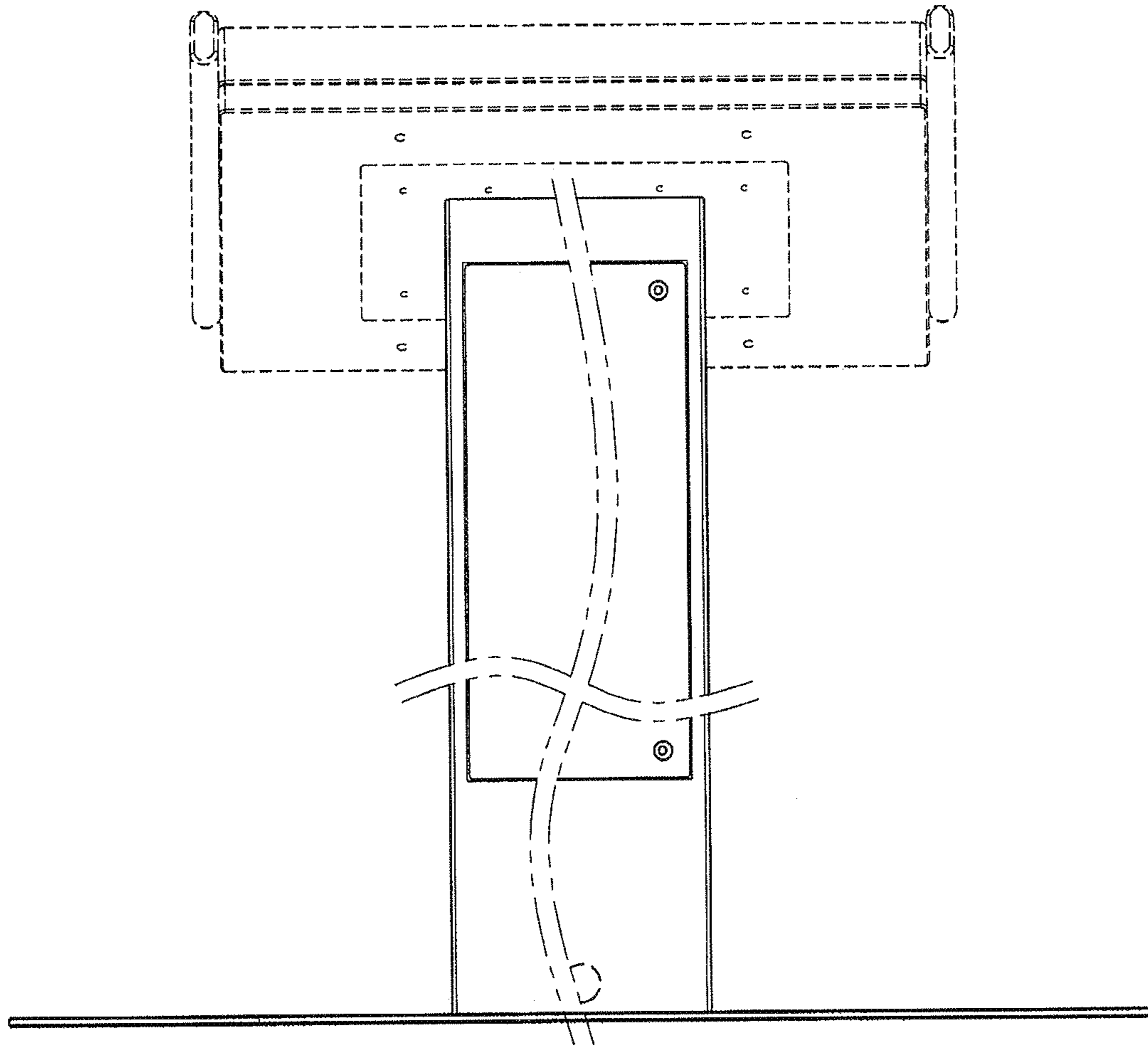


FIG. 3

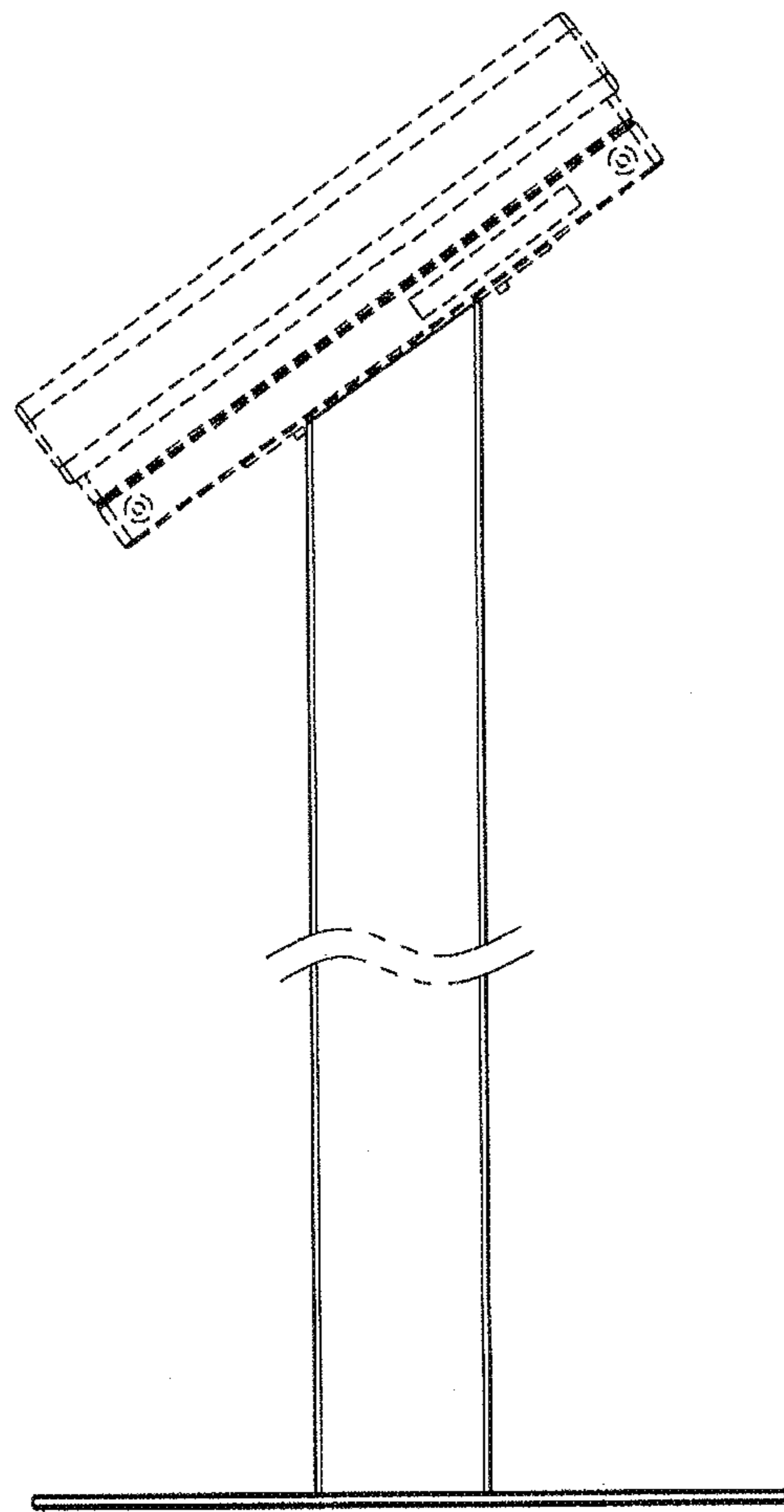


FIG. 4

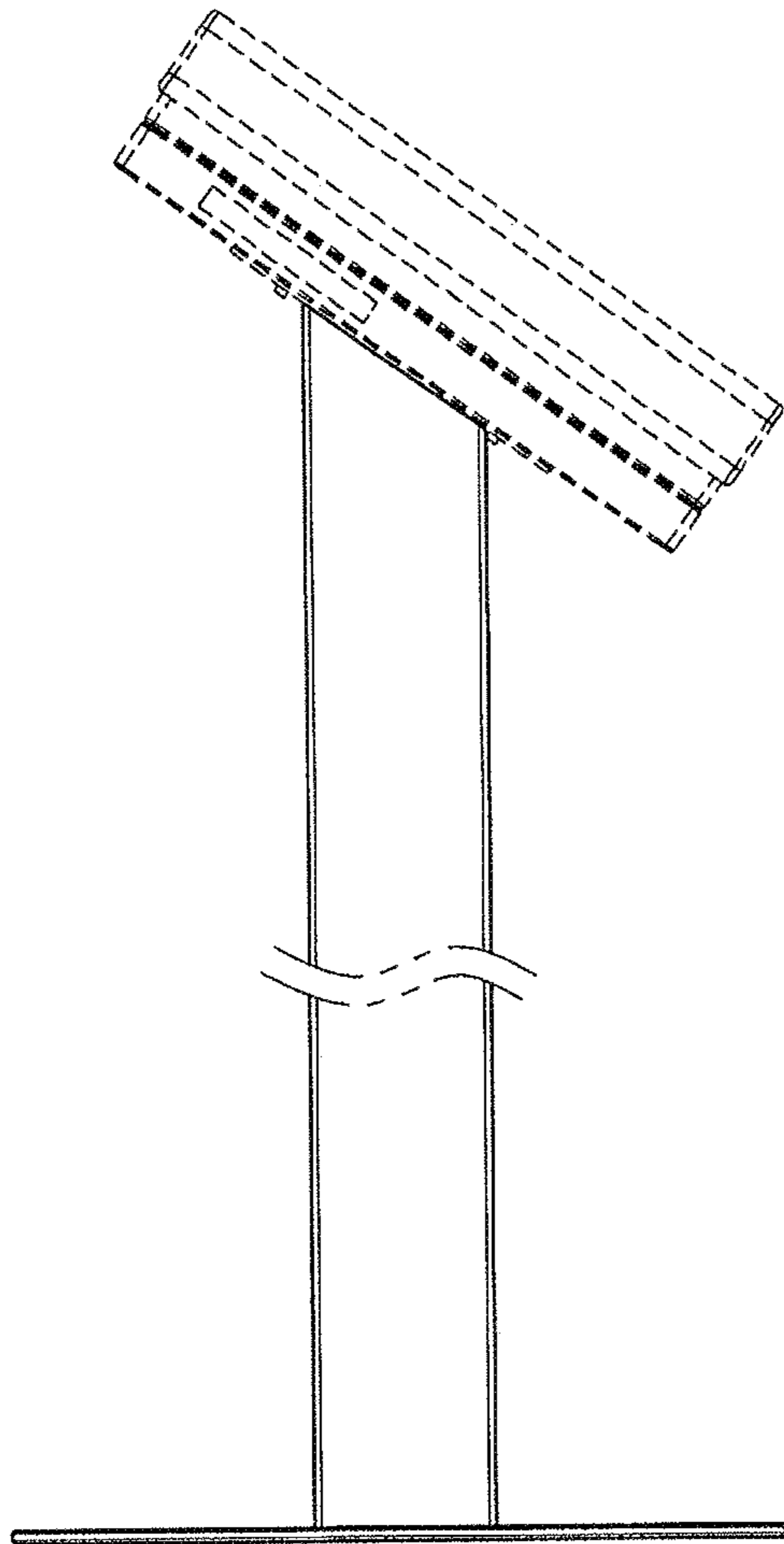


FIG. 5

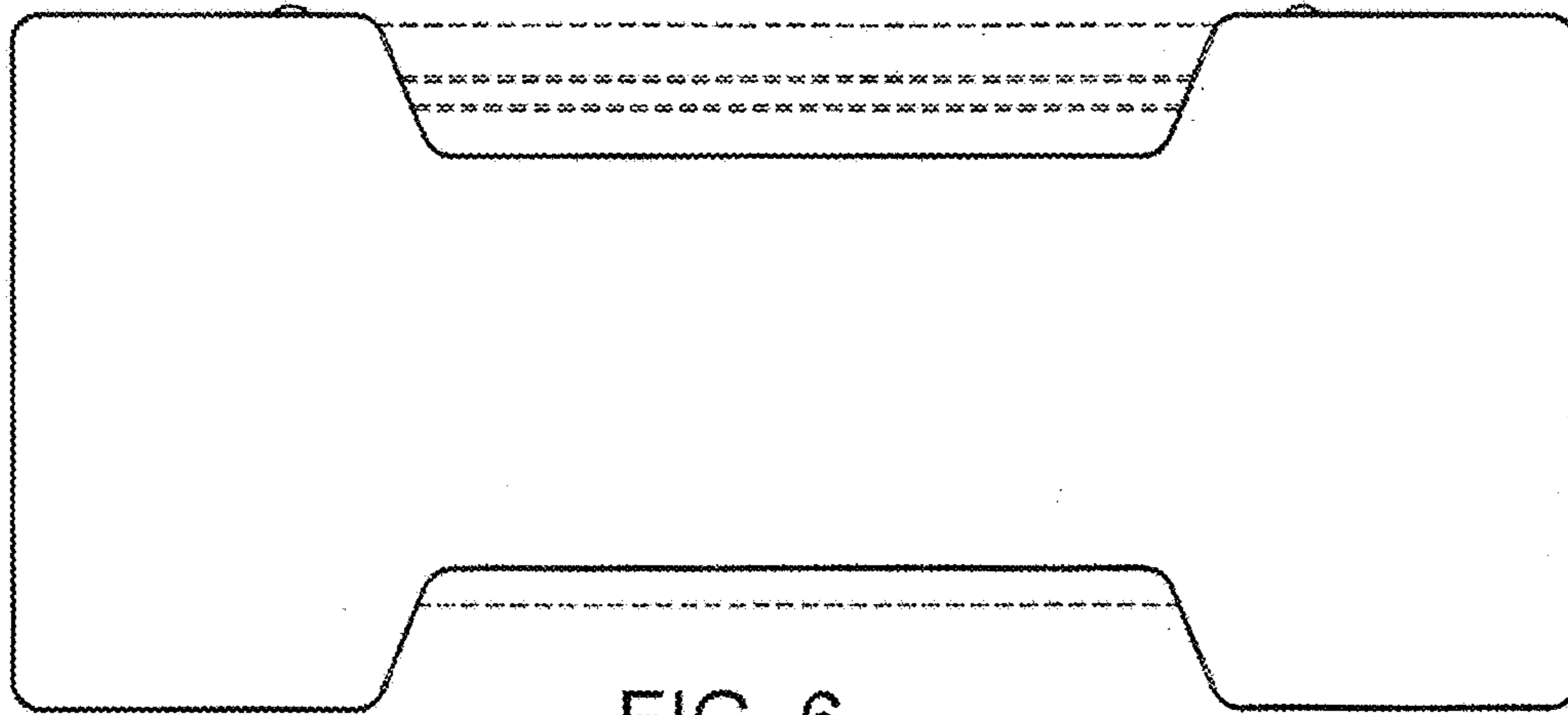


FIG. 6

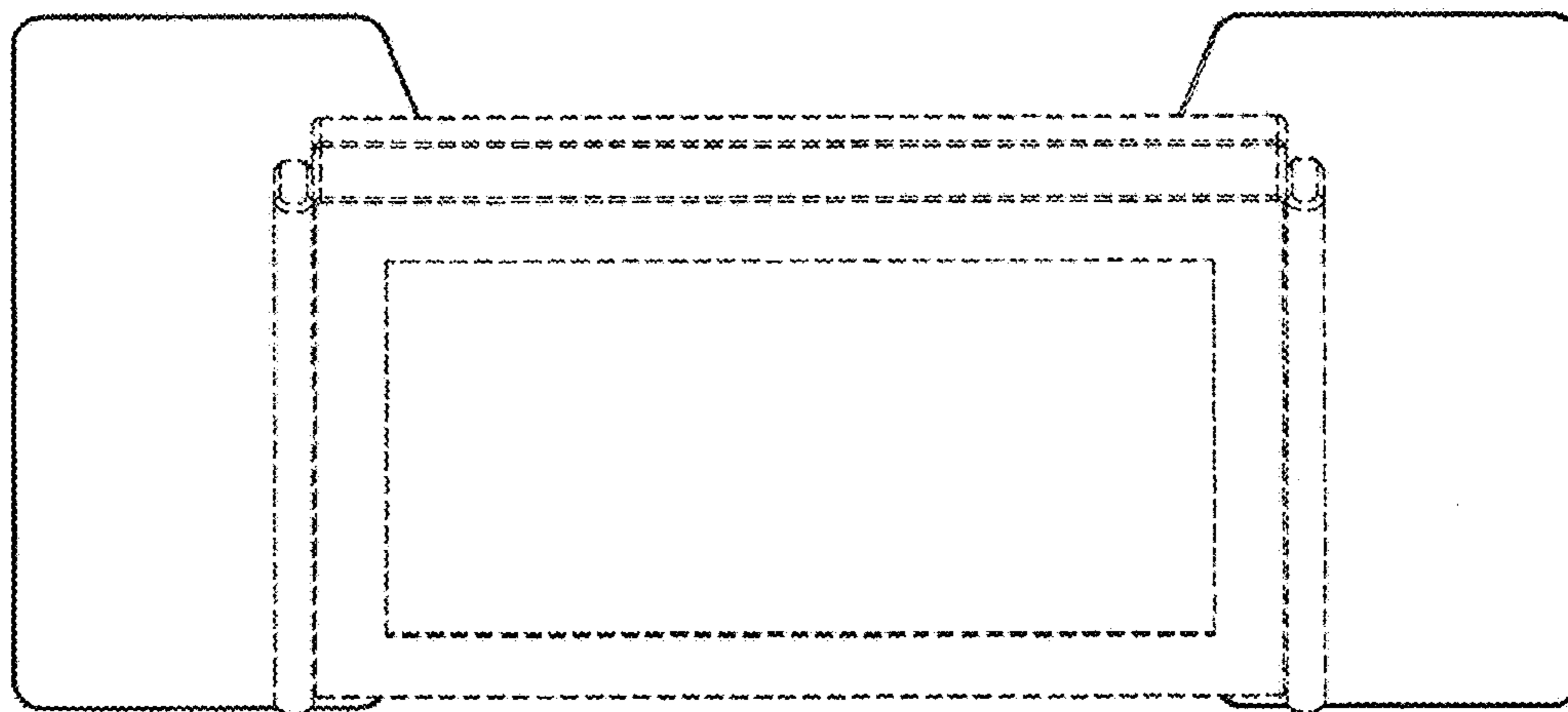
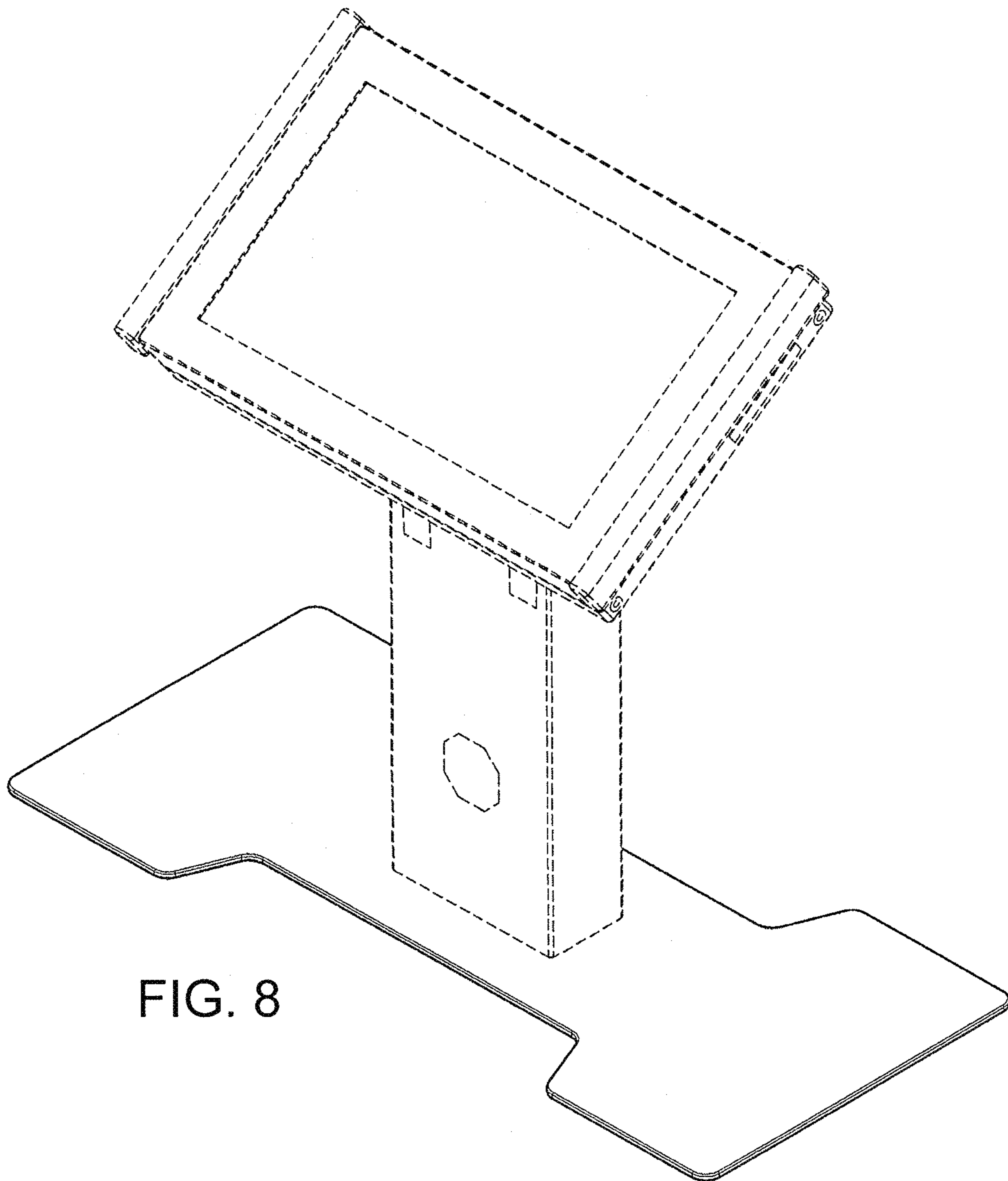


FIG. 7



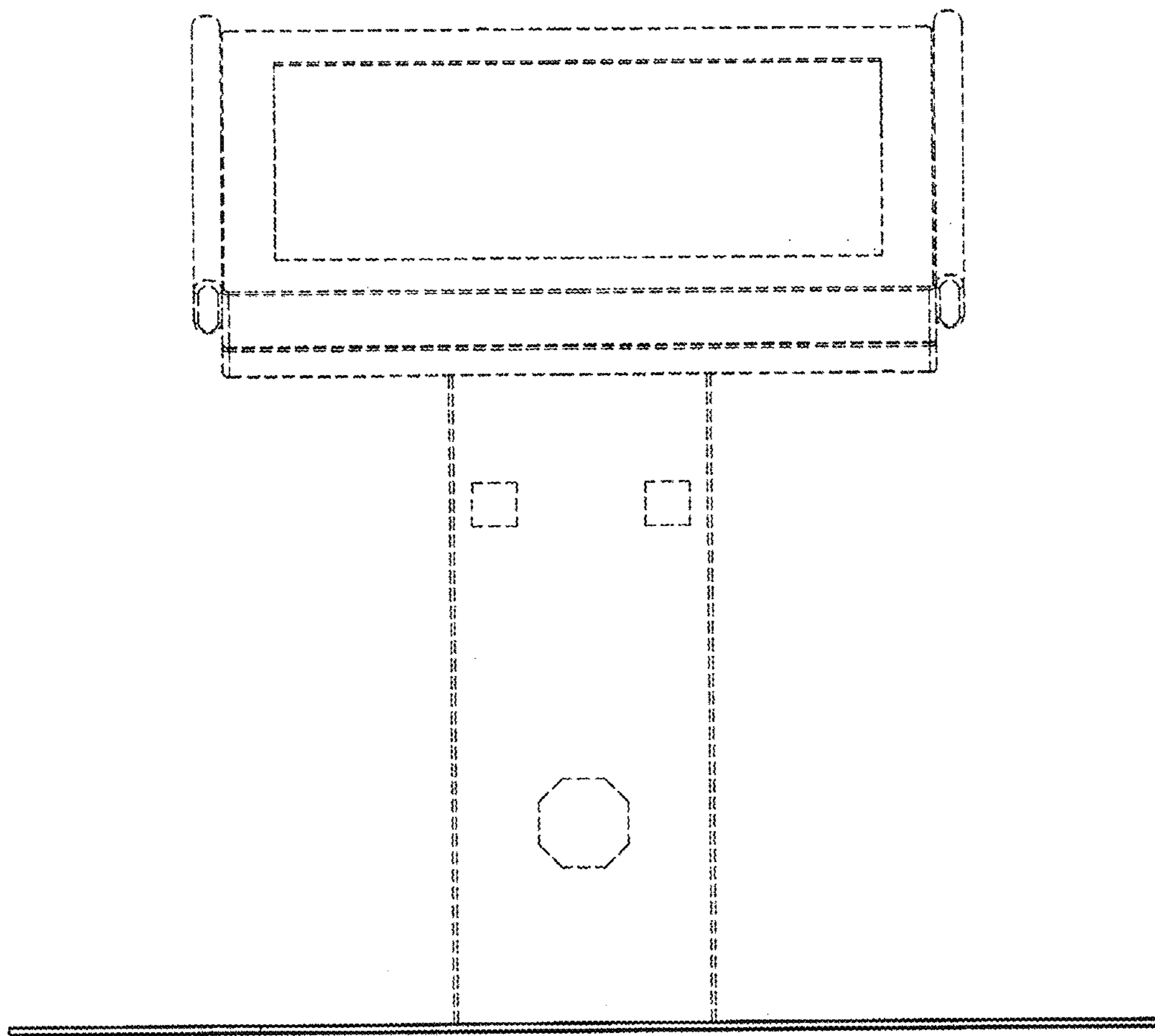


FIG. 9

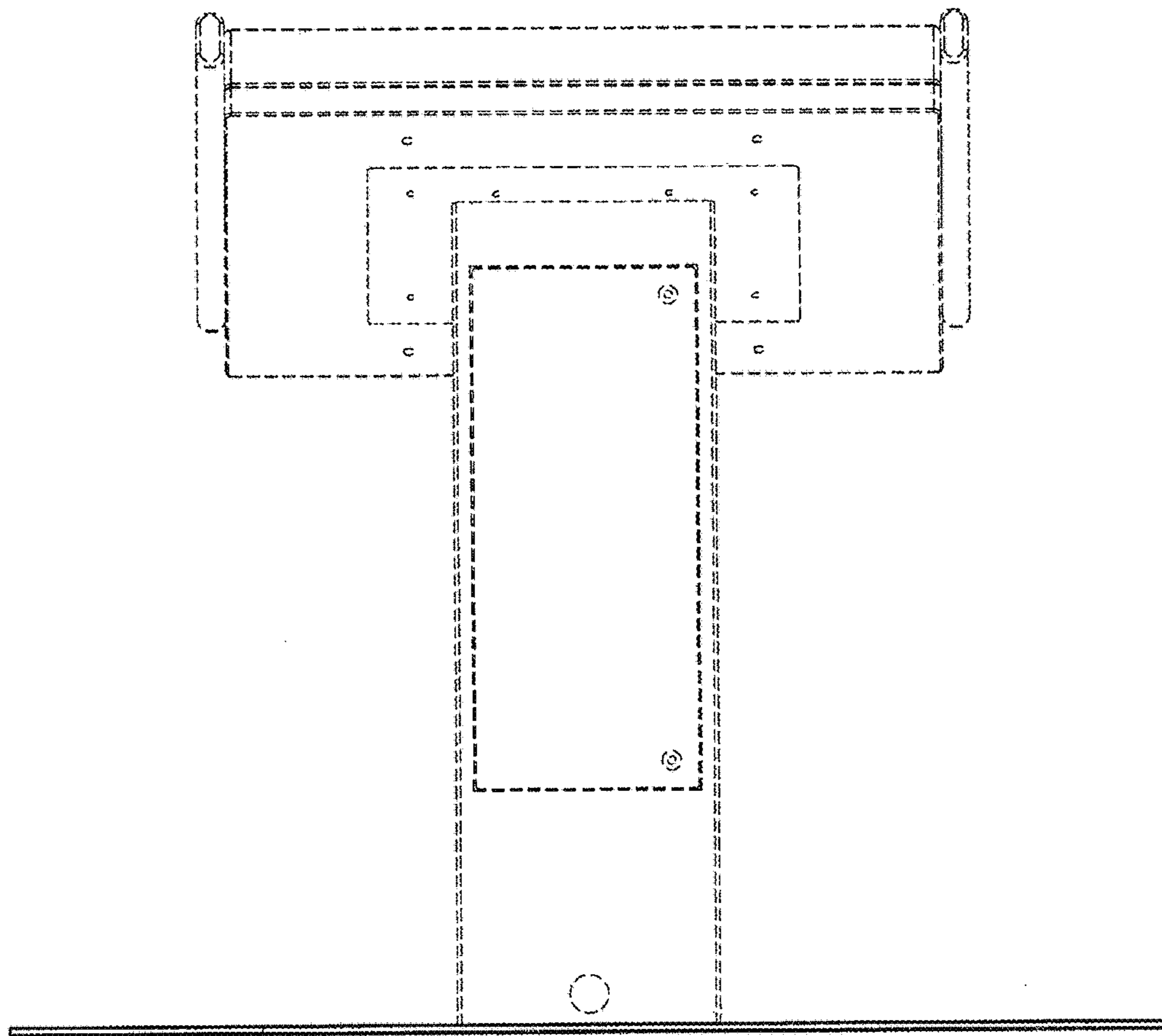


FIG. 10

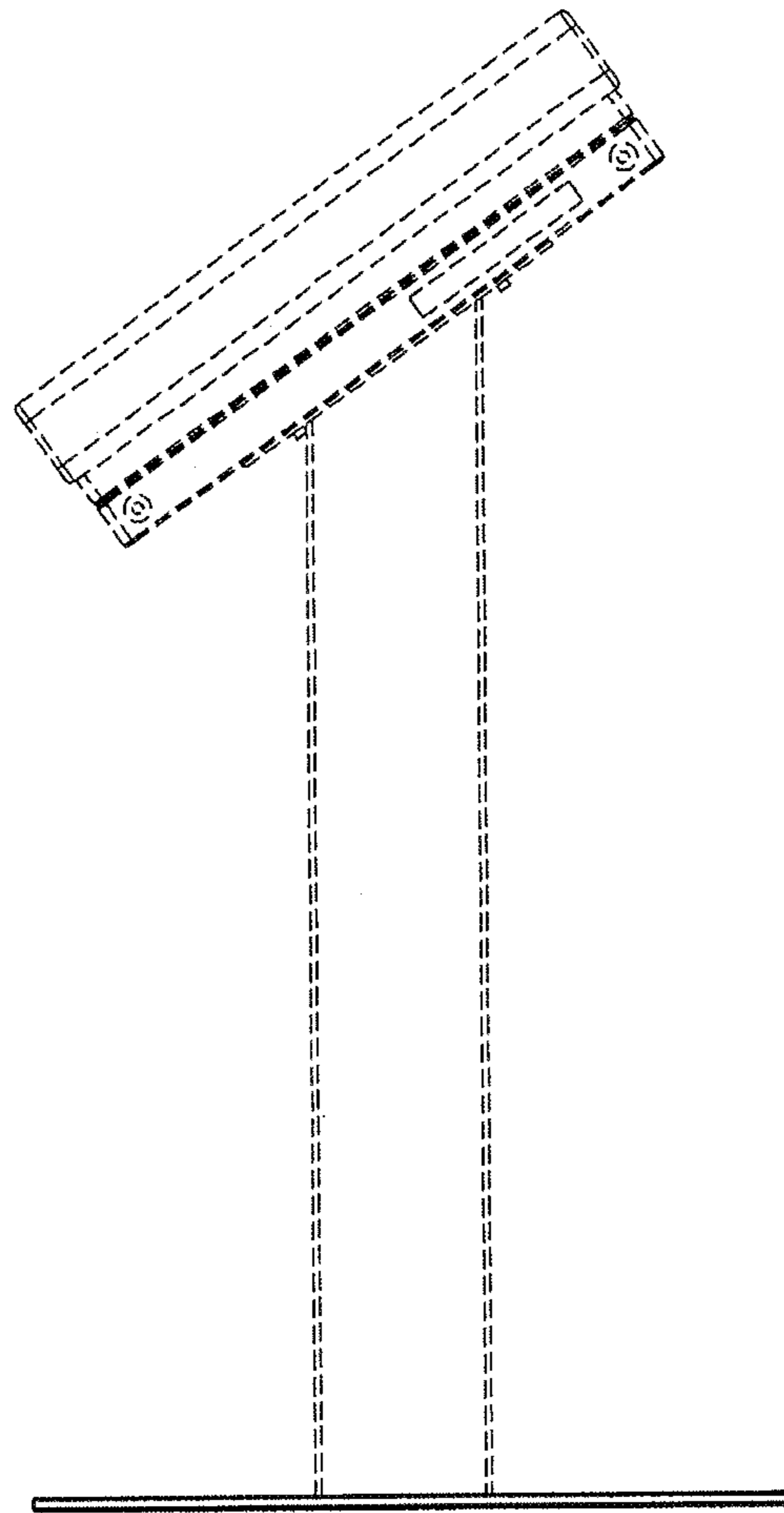


FIG. 11

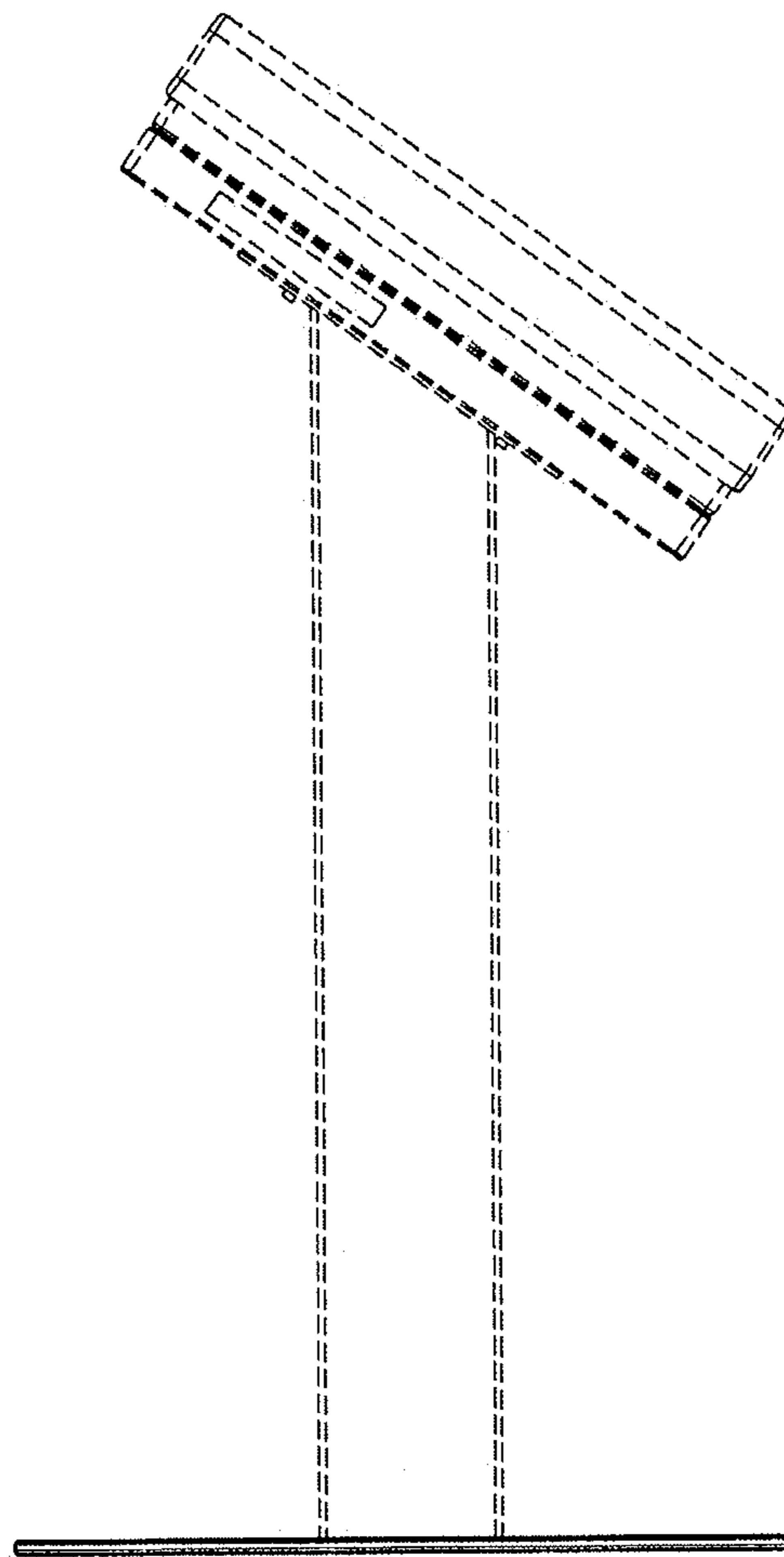


FIG. 12

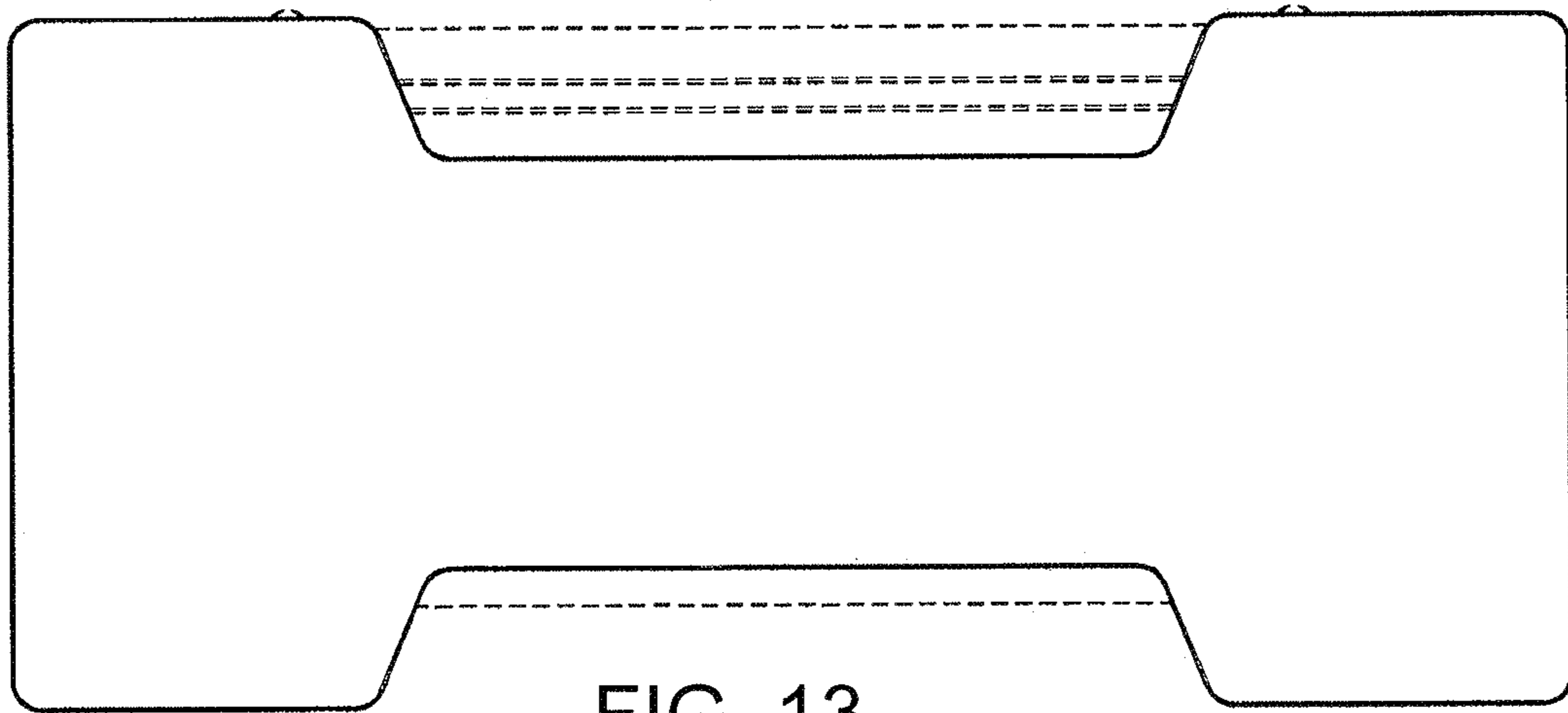


FIG. 13

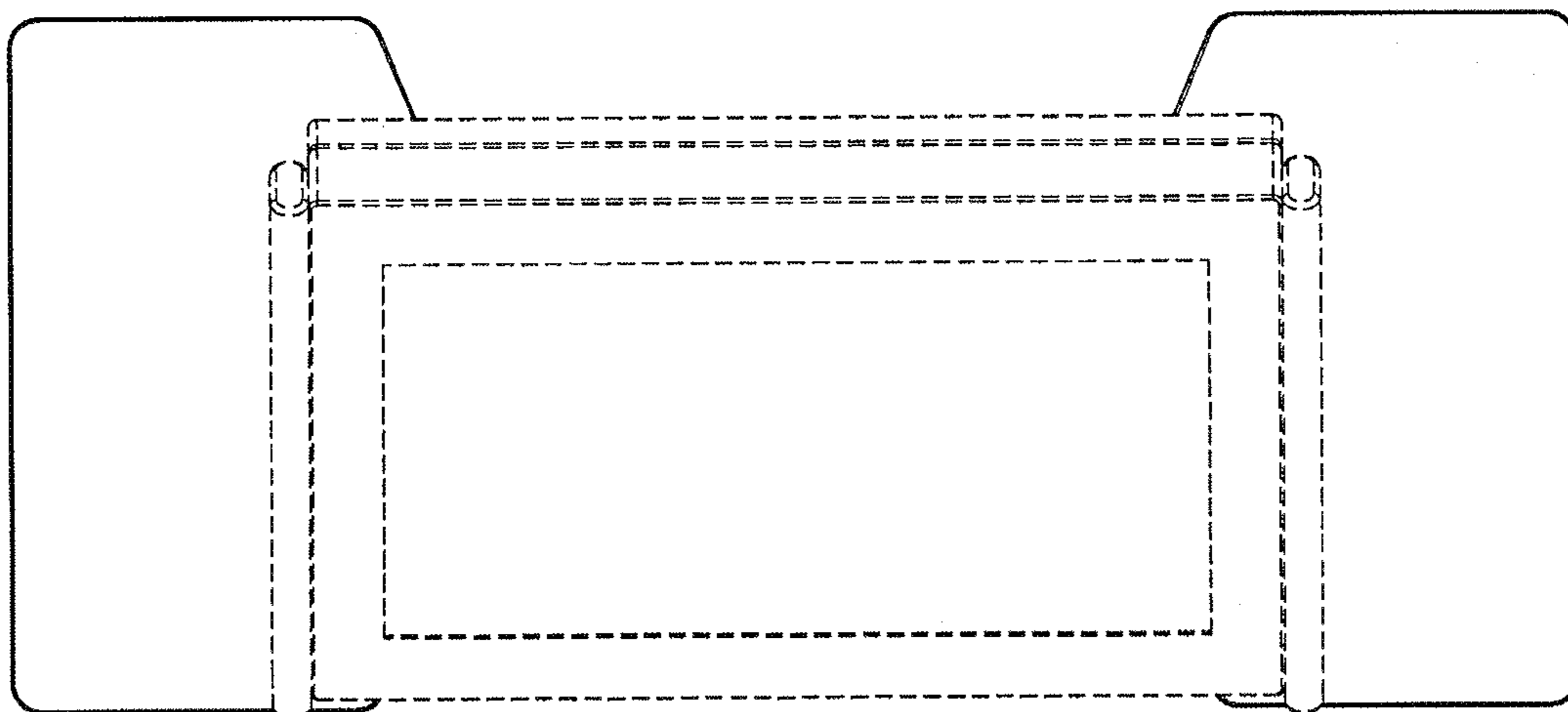


FIG. 14