



US00D780743S

(12) **United States Design Patent**
Chun

(10) **Patent No.:** **US D780,743 S**

(45) **Date of Patent:** **** Mar. 7, 2017**

(54) **VENT MOUNTED CLAMPING DEVICE
HOLDER**

(71) Applicant: **James K Chun**, Bellevue, WA (US)

(72) Inventor: **James K Chun**, Bellevue, WA (US)

(**) Term: **15 Years**

(21) Appl. No.: **29/548,859**

(22) Filed: **Dec. 17, 2015**

(51) **LOC (10) Cl.** **14-03**

(52) **U.S. Cl.**
USPC **D14/253; D14/447**

(58) **Field of Classification Search**
USPC D14/253, 251, 252, 447, 451, 452, 440,
D14/434, 458, 432, 439, 457, 460, 238.1,
D14/140, 142, 149, 217, 148, 140.8,
D14/140.11, 209.1, 151, 140.9, 250, 238;
D13/107, 108; D12/415, 223, 114, 420,
D12/417, 407, 177; D3/218;
D16/242-245, 250, 237, 203, 214,
D16/219; D6/675, 672, 673, 675.4, 553,
D6/676, 310, 406.3, 406.4, 406.5, 406.6,
D6/407, 567, 300, 682.3; 248/459, 460;
224/483
CPC B60R 2011/0008; B60R 11/02; B60R
11/0241; B60R 11/0258; B60R 11/0252;
B60R 2011/0294; F16M 11/00; F16M
11/04; F16M 11/041; F16M 11/02; F16M
11/06; F16M 13/00; H04M 1/02; H04M
1/04; H04M 1/11; H04M 1/12; A47F
7/022; B62J 11/00; H05K 7/00; G03B
17/56

See application file for complete search history.

(56) **References Cited**

U.S. PATENT DOCUMENTS

D684,980 S 6/2013 Chun
D716,215 S * 10/2014 Dunn D12/415

D717,307 S 11/2014 Chun
D739,410 S 9/2015 Chun
D750,612 S * 3/2016 Chen D14/253
D765,651 S * 9/2016 Liu D14/253
D767,556 S * 9/2016 Lee D12/415
D768,125 S * 10/2016 Kim D14/253
D769,860 S * 10/2016 Xiao D14/253
2014/0138419 A1 * 5/2014 Minn B60R 11/0241
224/567
2016/0082893 A1 * 3/2016 Ormsbee B60R 11/0241
224/558

* cited by examiner

Primary Examiner — Susan Bennett Hattan

Assistant Examiner — Janice Hallmark

(74) *Attorney, Agent, or Firm* — Dean A. Craine

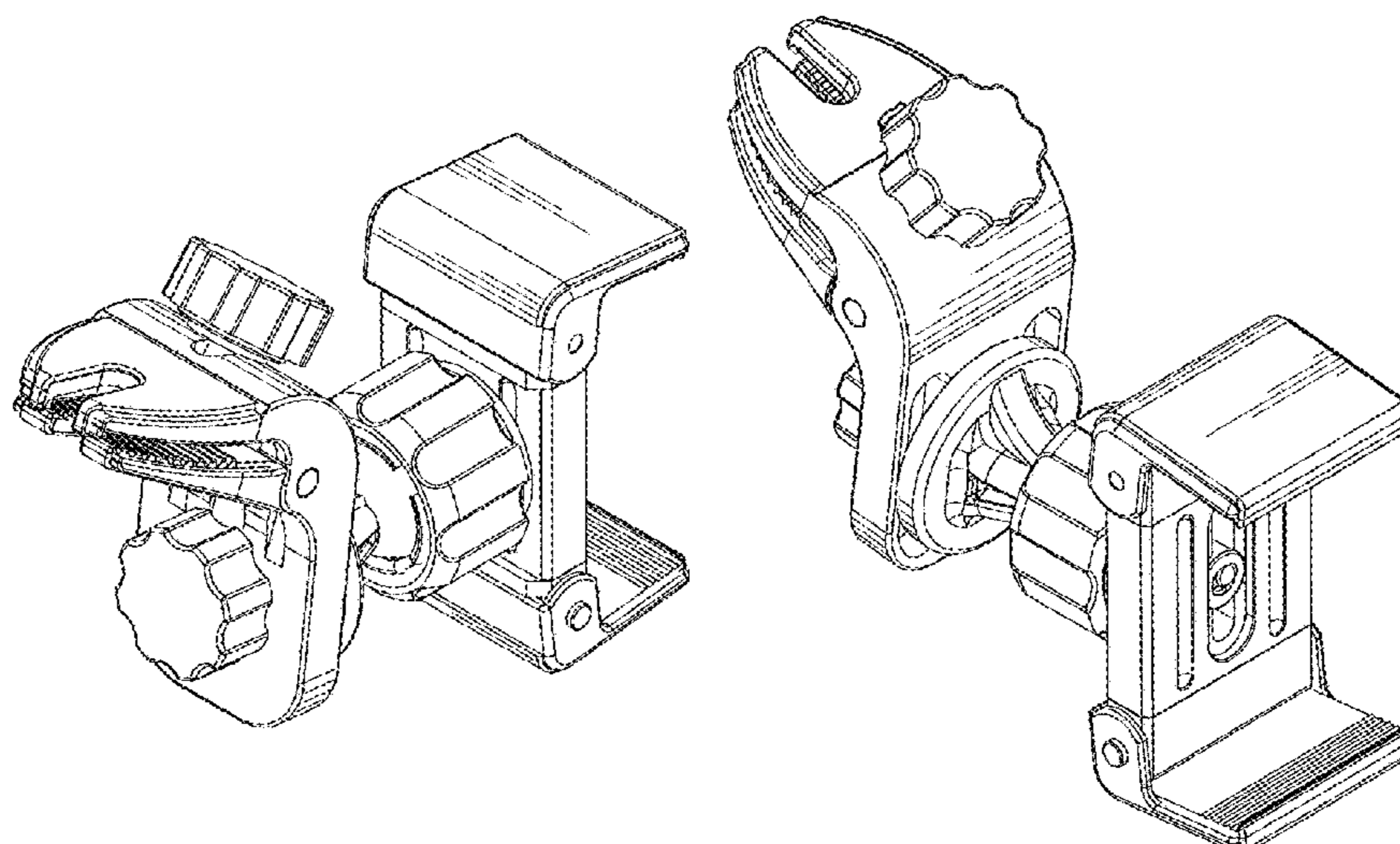
(57) **CLAIM**

The ornamental design for a vent mounted clamping device holder, as shown.

DESCRIPTION

FIG. 1 is a front perspective view of a vent mounted clamping device holder.
FIG. 2 is a rear perspective view of a vent mounted clamping device holder.
FIG. 3 is a right side elevational view of the vent mounted clamping device holder shown in FIGS. 1 and 2.
FIG. 4 is a left side elevational view of the vent mounted clamping device holder shown in FIGS. 1 and 2.
FIG. 5 is a top plan view of the vent mounted clamping device holder shown in FIGS. 1 and 2.
FIG. 6 is a bottom plan view of the vent mounted clamping device holder shown in FIGS. 1 and 2.
FIG. 7 is a front elevational view of the vent mounted clamping device holder shown in FIGS. 1 and 2; and,
FIG. 8 is a rear elevational view of the vent mounted clamping device holder shown in FIGS. 1 and 2.

1 Claim, 3 Drawing Sheets



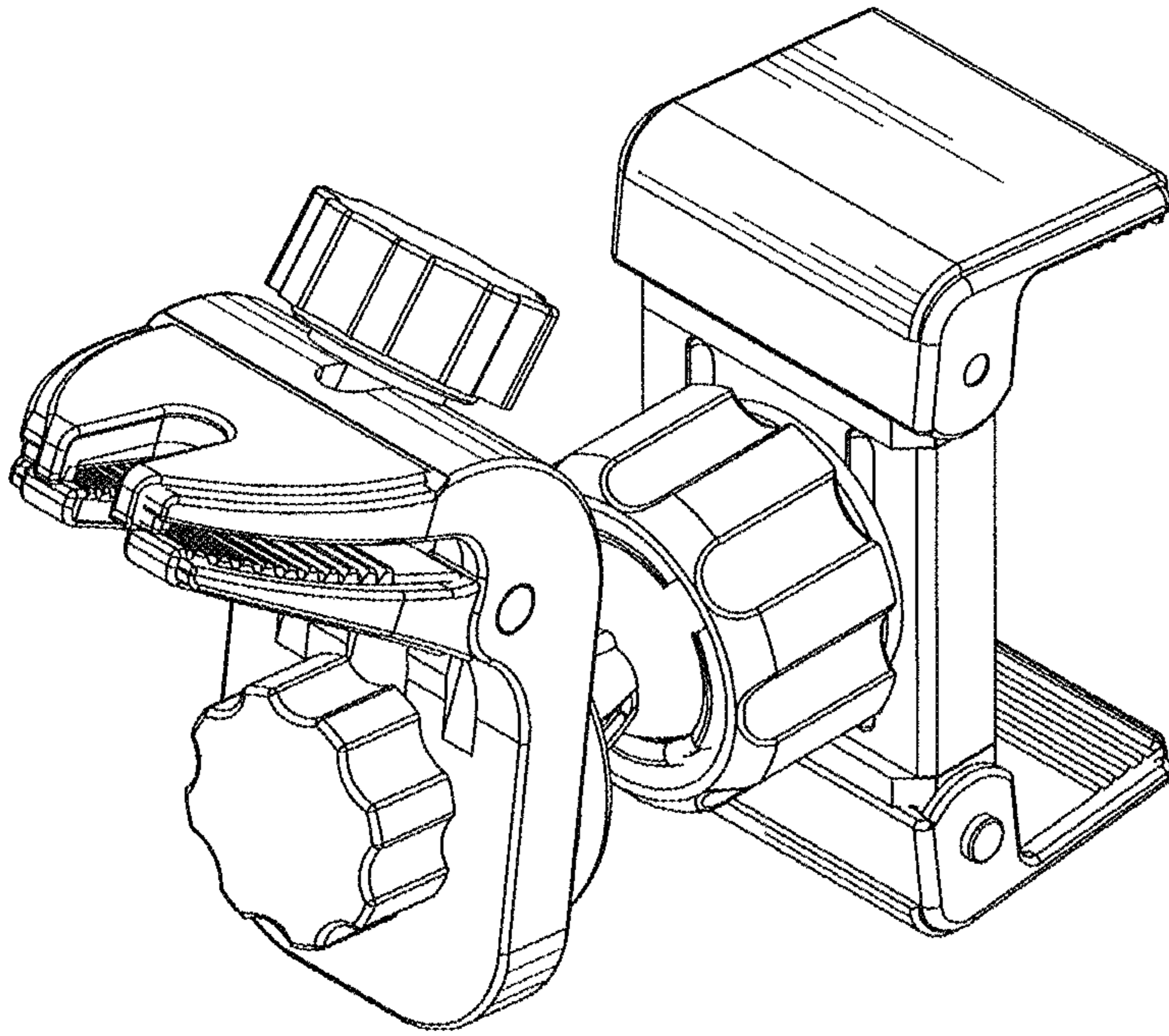


Fig. 1

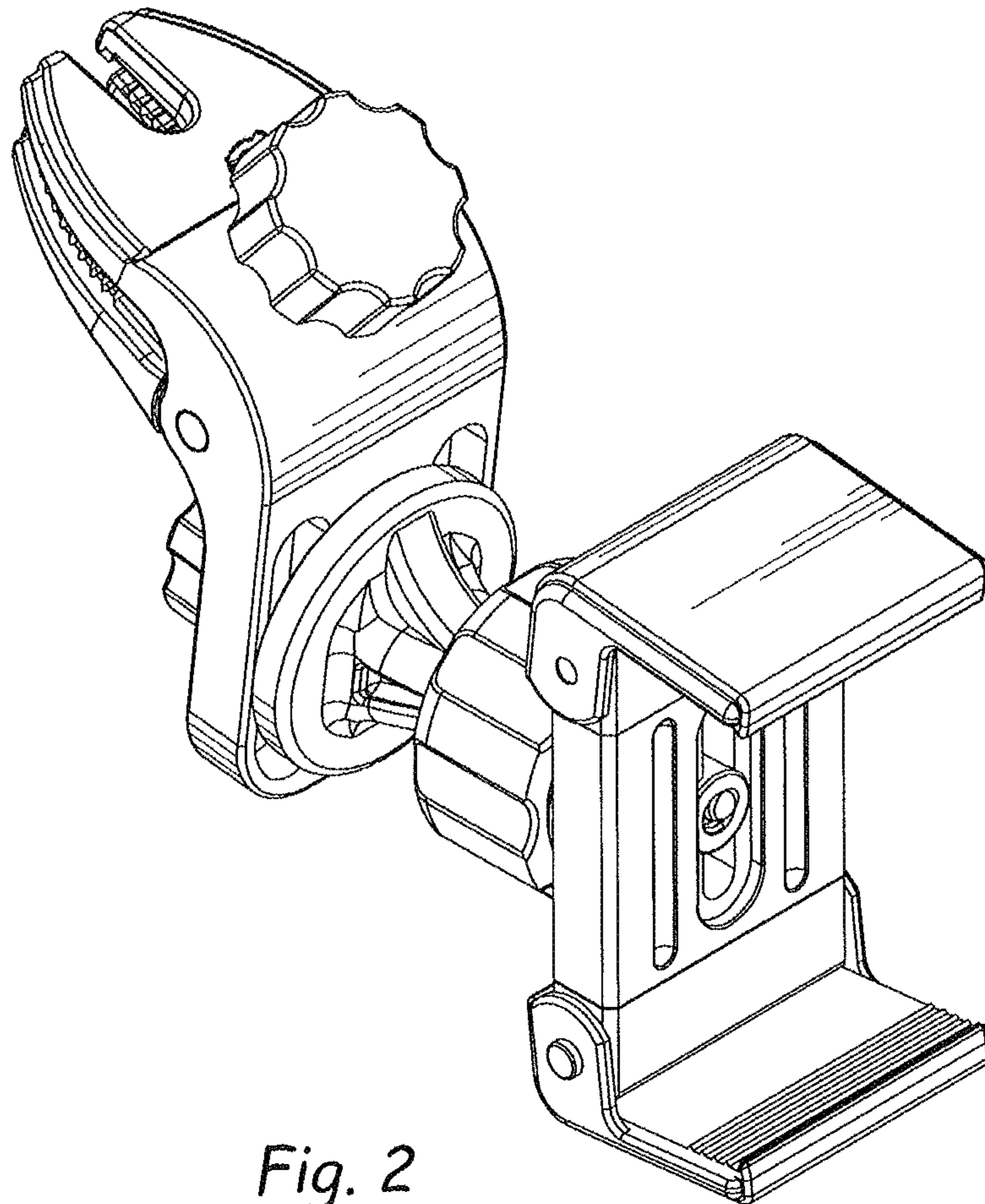


Fig. 2

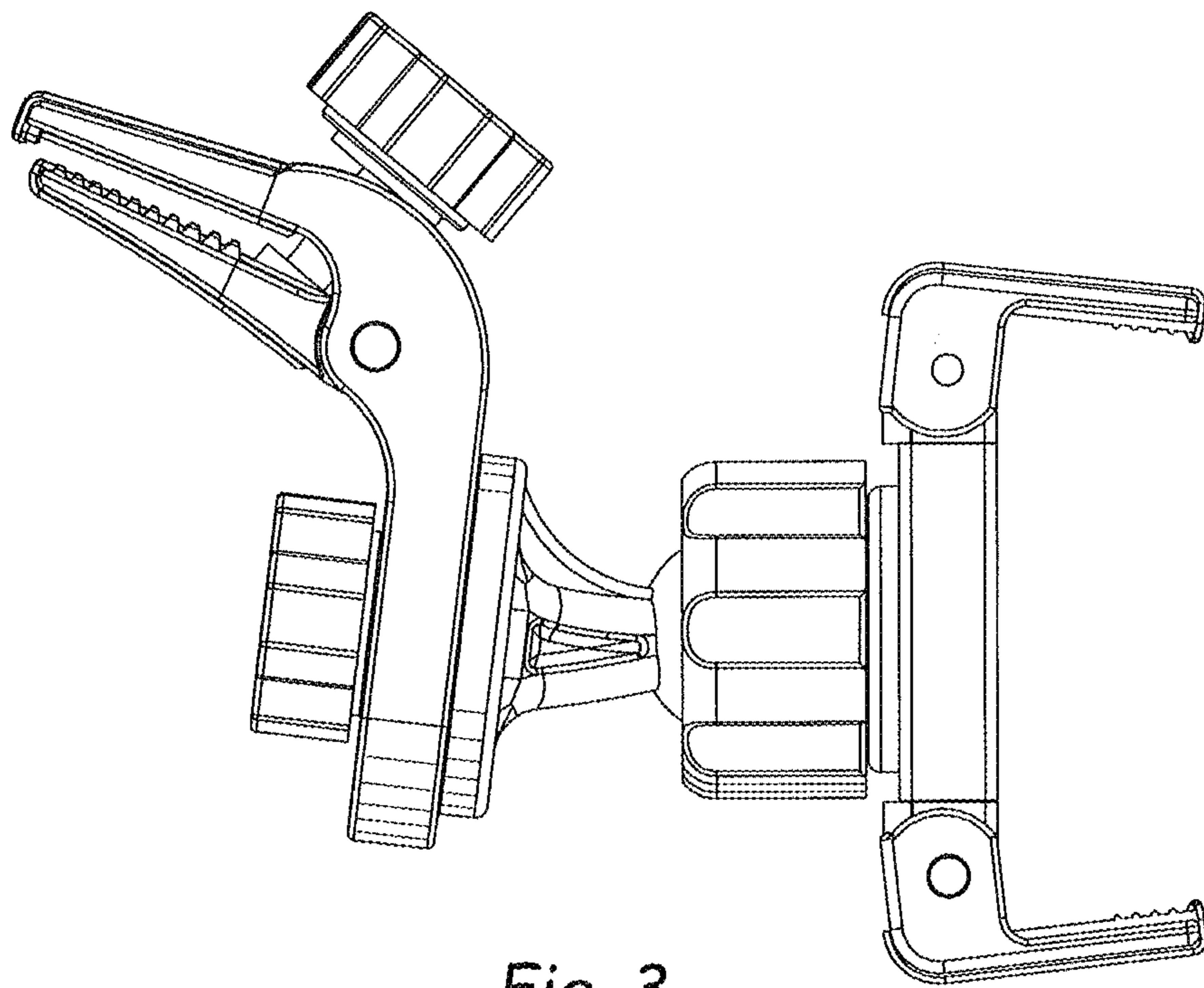


Fig. 3

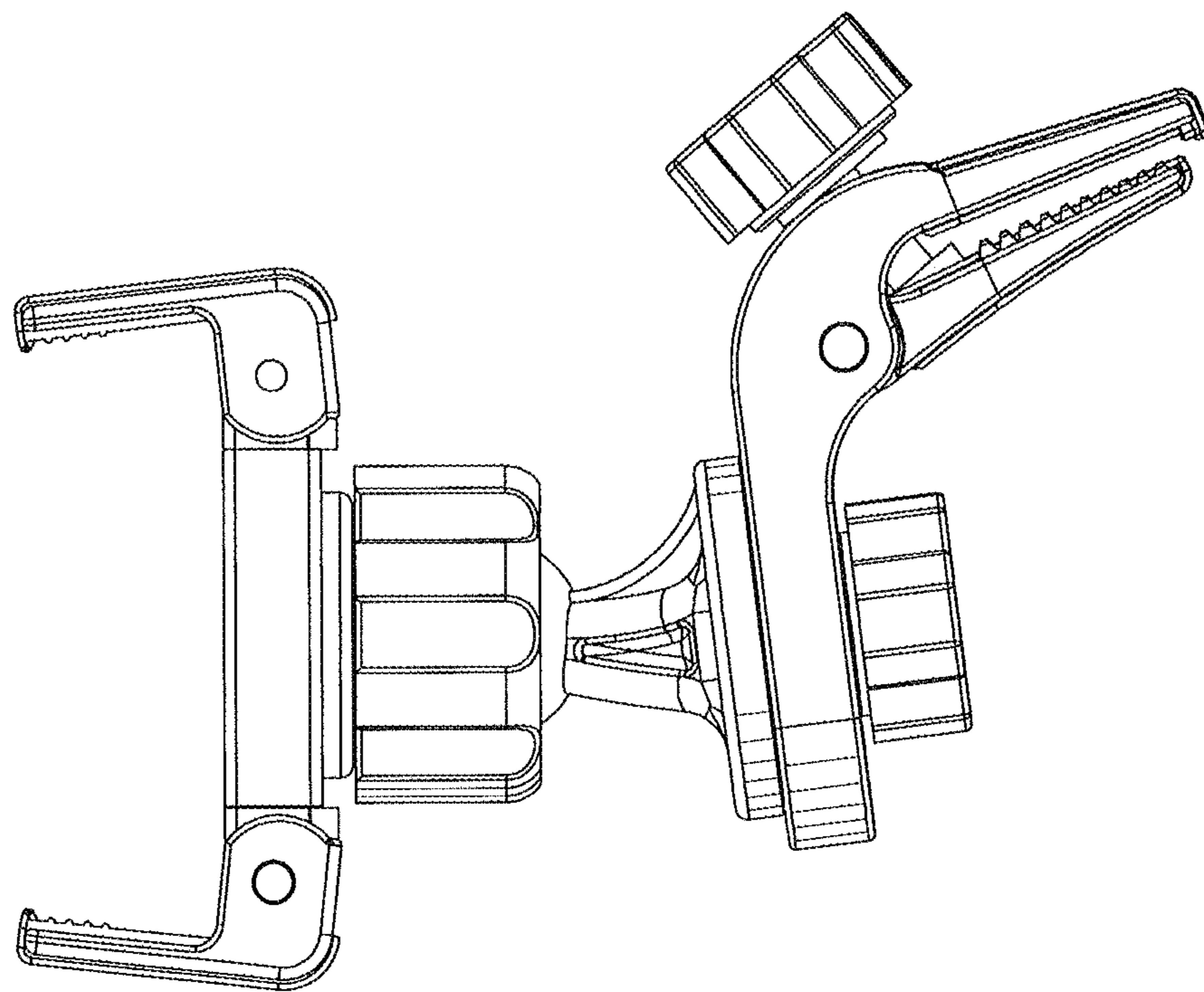


Fig. 4

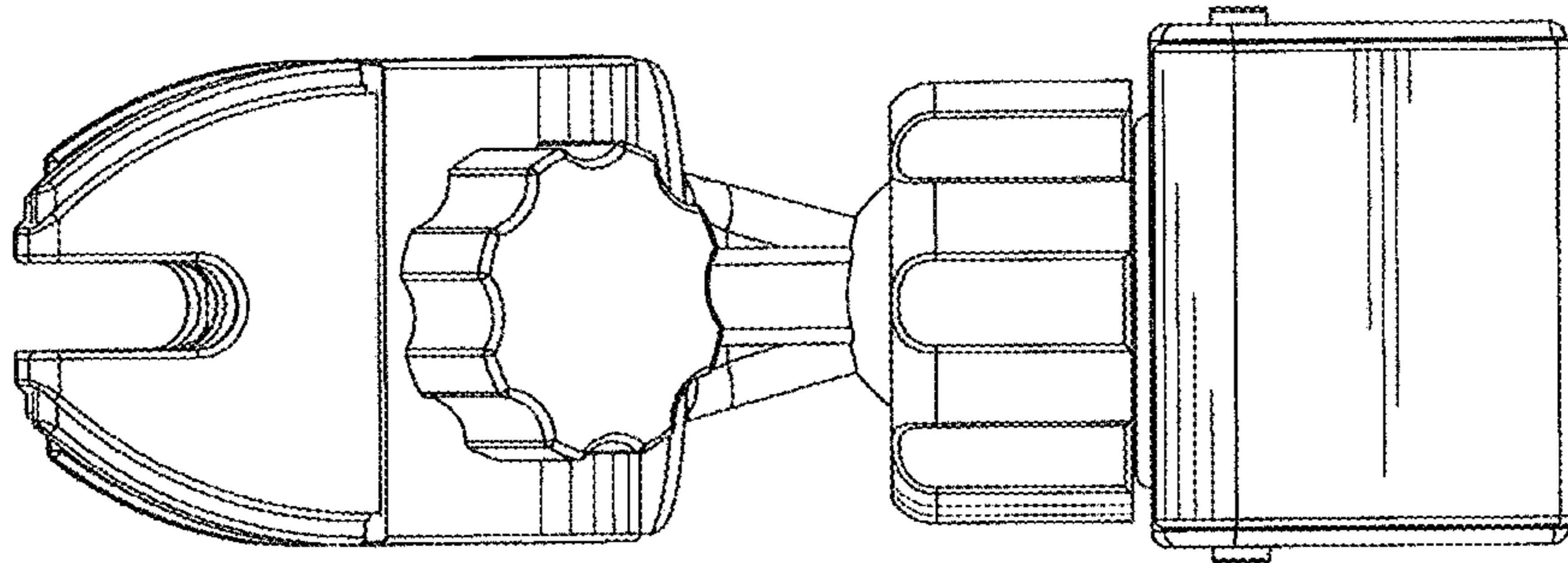


Fig. 5

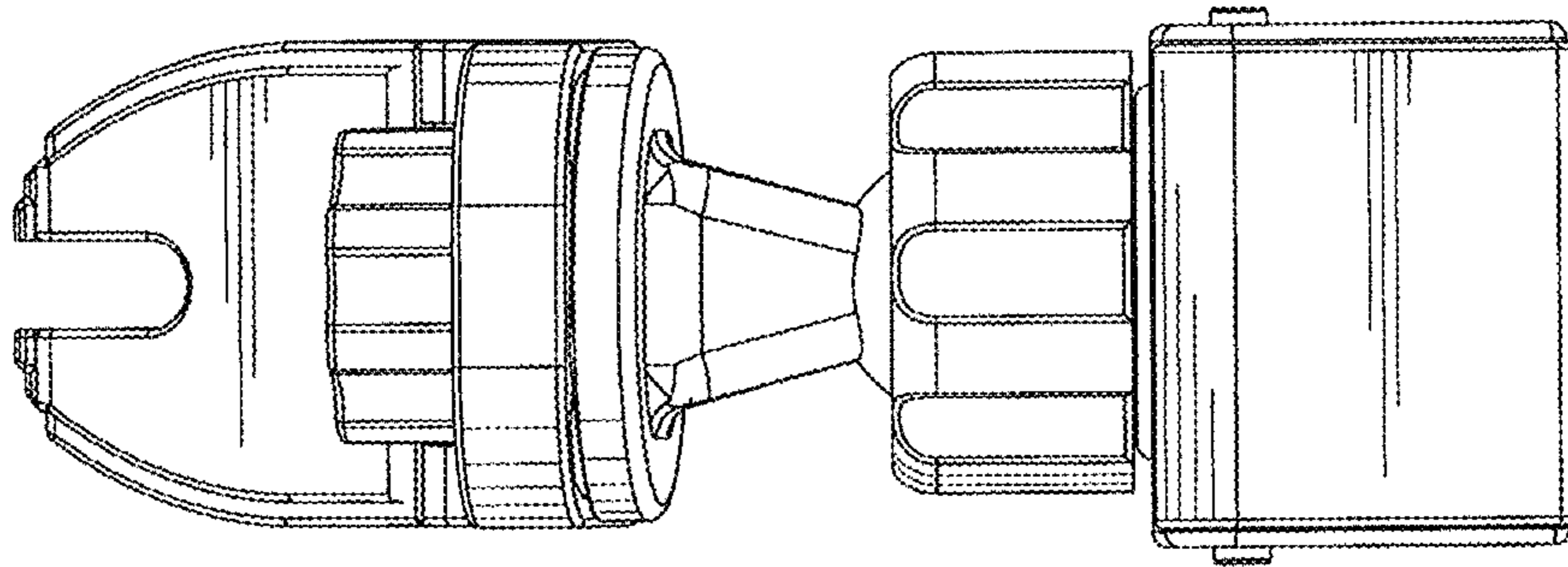


Fig. 6

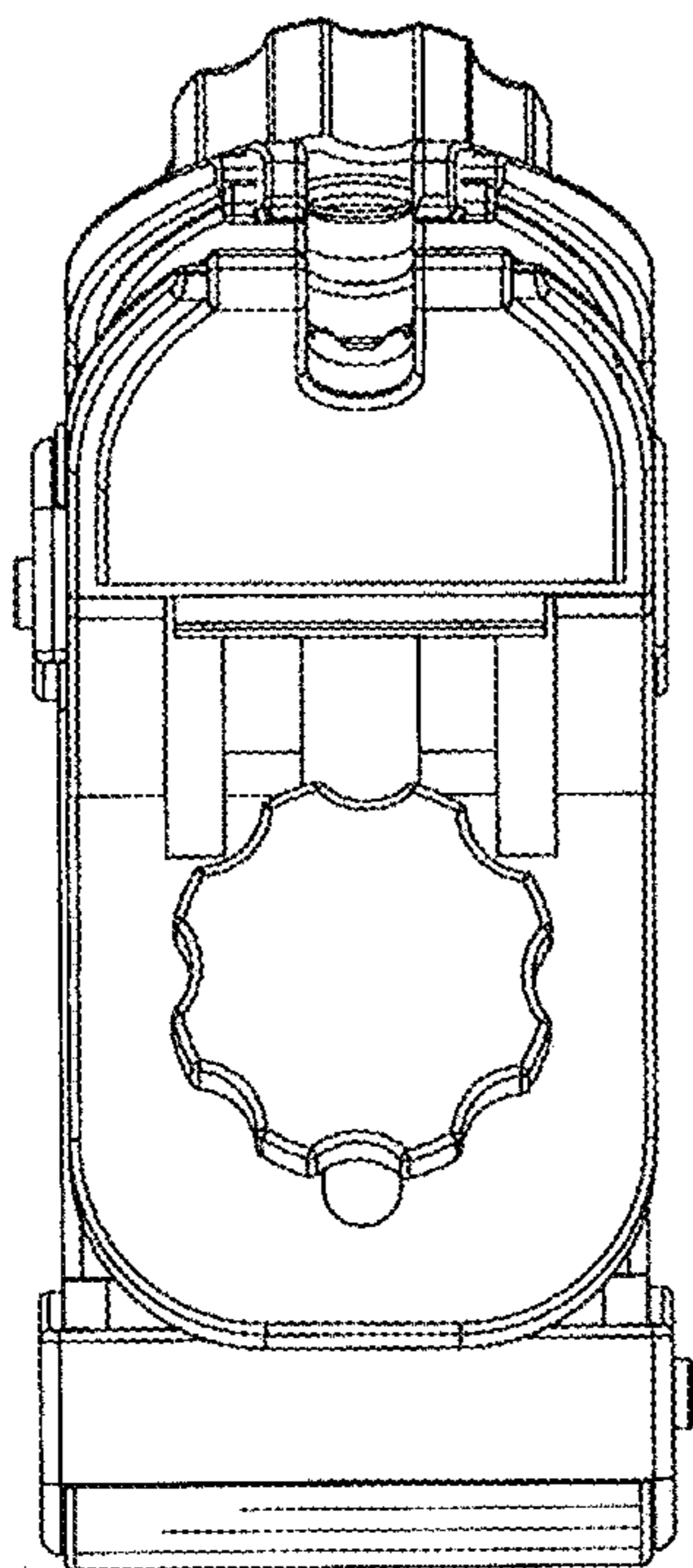


Fig. 7

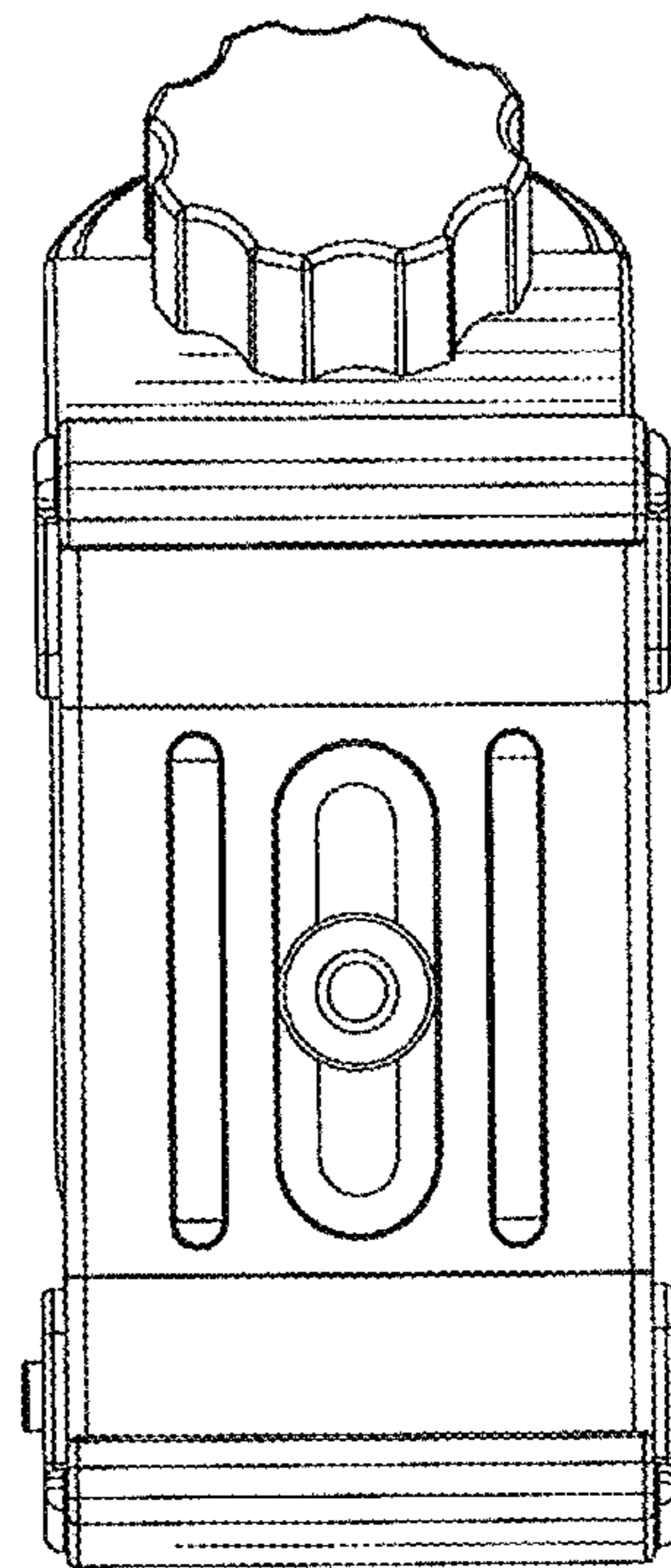


Fig. 8