



US00D780741S

(12) **United States Design Patent** (10) **Patent No.:** **US D780,741 S**
Yin (45) **Date of Patent:** **** Mar. 7, 2017**

(54) **MOBILE PHONE PROTECTION CASE**

(56) **References Cited**

(71) Applicants: **QINGDAO CREATE ENVIRONMENT CONTROL TECHNOLOGY CO., LTD.**, Shandong (CN); **QINGDAO CREATE HOLDING CO., LTD.**, Shandong (CN); **Xuejun Yin**, Shandong (CN)

U.S. PATENT DOCUMENTS

D631,650	S *	2/2011	Li	D3/218
7,938,260	B2 *	5/2011	Lin	A45C 11/00 206/320
D656,135	S *	3/2012	Swartz	D14/238.1
D675,604	S *	2/2013	Limber	D14/250
D684,150	S *	6/2013	Goradesky	D14/250
D685,361	S *	7/2013	Goradesky	D14/250
D697,060	S *	1/2014	Yang	D14/250

(72) Inventor: **Xuejun Yin**, Shandong (CN)

(Continued)

(73) Assignees: **QINGDAO CREATE ENVIRONMENT CONTROL TECHNOLOGY CO., LTD.**, Qingdao, Shandong (CN); **QINGDAO CREATE HOLDING CO., LTD.**, Qingdao, Shandong (CN); **Xuejun Yin**, Qingdao, Shandong (CN)

Primary Examiner — Carla Jobe Wright

(74) *Attorney, Agent, or Firm* — Manabu Kanesaka

(**) Term: **14 Years**

(57) **CLAIM**

The ornamental design for a mobile phone protection case, as shown and described.

(21) Appl. No.: **29/523,481**

DESCRIPTION

(22) Filed: **Apr. 10, 2015**

FIG. 1 is a front view of a mobile phone protection case showing my new design;

(30) **Foreign Application Priority Data**

Oct. 11, 2014 (CN) 2014 3 0382254

FIG. 2 is a rear view thereof;

(51) **LOC (10) Cl.** **14-03**

FIG. 3 is a left side view thereof;

(52) **U.S. Cl.**

USPC **D14/250**

FIG. 4 is a right side view thereof;

(58) **Field of Classification Search**

USPC D14/238.1, 440, 203.3–203.7, 217, 240,

D14/248, 251–253, 447, 496, 250;

D3/201, 218, 247, 269, 273, 301, 303;

D13/103, 107–108, 119

CPC H04B 1/3888; H04M 1/0283; H04M 1/0202;

A45C 1/06; A45C 11/00; A45C 13/02;

A45C 2011/002; A45F 2005/026; A45F

2200/0525; A45F 2200/0516

FIG. 5 is a top plan view thereof;

FIG. 6 is a bottom view thereof;

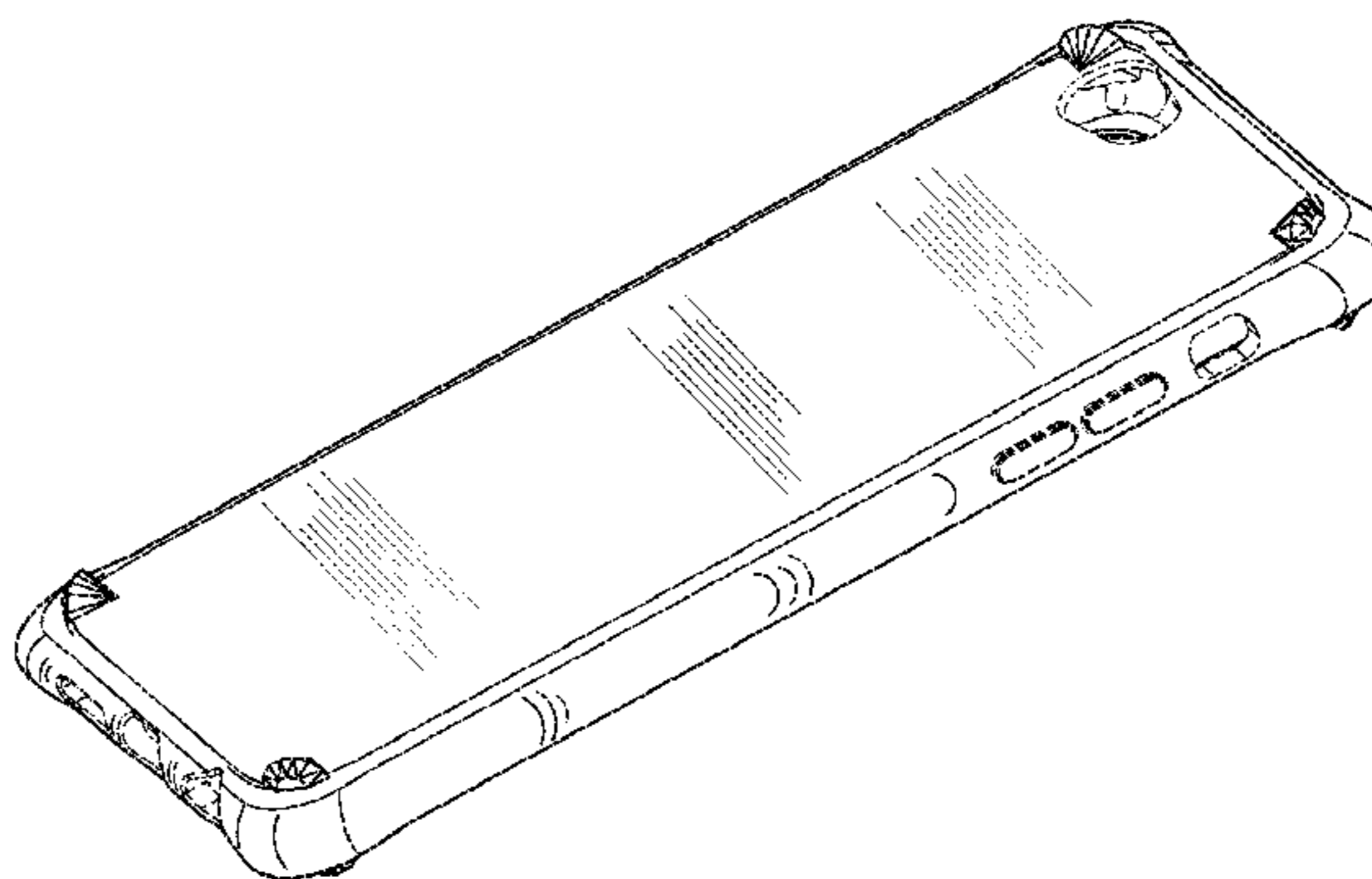
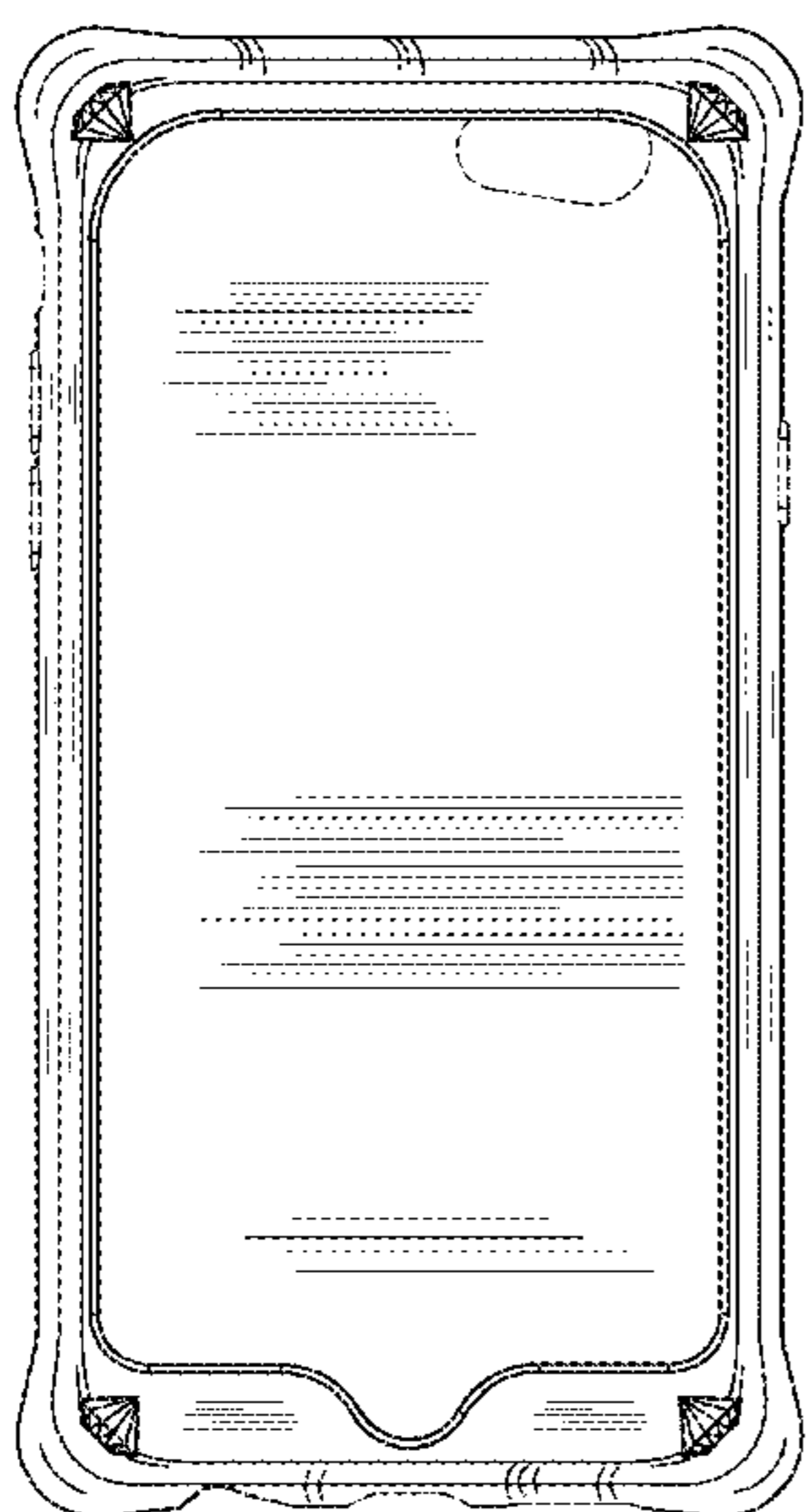
FIG. 7 is a front, right-side, and bottom perspective view thereof; and,

FIG. 8 is a rear, left-side, and bottom perspective view thereof.

The broken lines immediately adjacent the shaded surfaces represent boundaries of the claimed design. All other broken lines depict environmental subject matter that forms no part of the claimed design. The broken lines and unshaded surfaces bounded by broken lines form no part of the claimed design.

See application file for complete search history.

1 Claim, 8 Drawing Sheets



(56)

References Cited

U.S. PATENT DOCUMENTS

D706,256 S * 6/2014 Ward D14/250
D714,295 S * 9/2014 Fujioka D14/440
D716,312 S * 10/2014 Fujioka D14/440
8,950,582 B2 * 2/2015 Chang B65D 81/022
206/521
D727,918 S * 4/2015 Soare D14/440
D728,549 S * 5/2015 Su D14/250
D750,610 S * 3/2016 Chen D14/250
2013/0271897 A1 * 10/2013 Limber H04B 1/3888
361/679.01
2013/0331155 A1 * 12/2013 Tages H04M 1/185
455/575.8
2014/0076753 A1 * 3/2014 Limber H04B 1/3888
206/320
2014/0216973 A1 * 8/2014 Chang B65D 81/022
206/521
2016/0219999 A1 * 8/2016 Chang A45C 11/00
224/191

* cited by examiner

FIG. 1



FIG.2

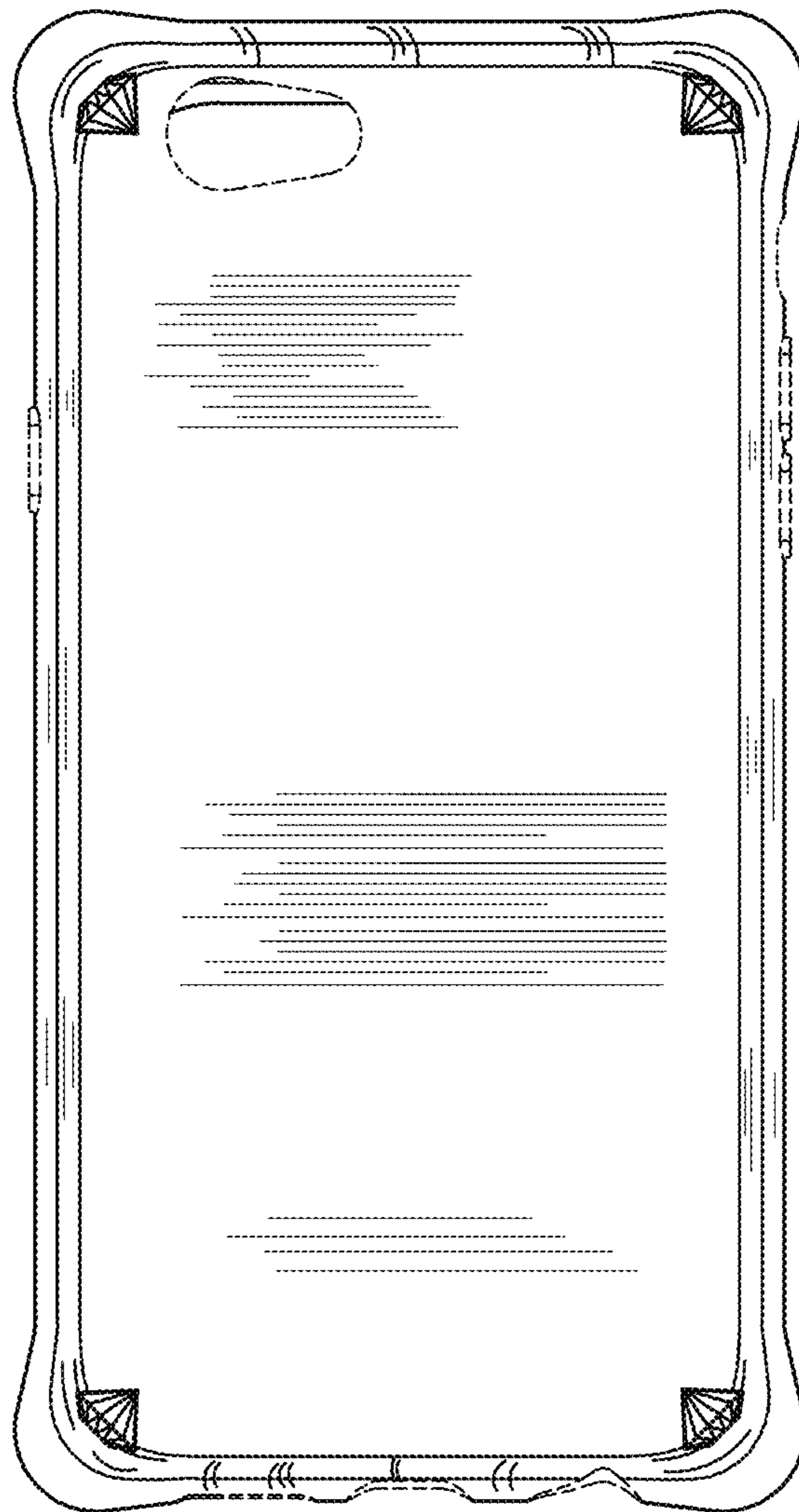


FIG. 3

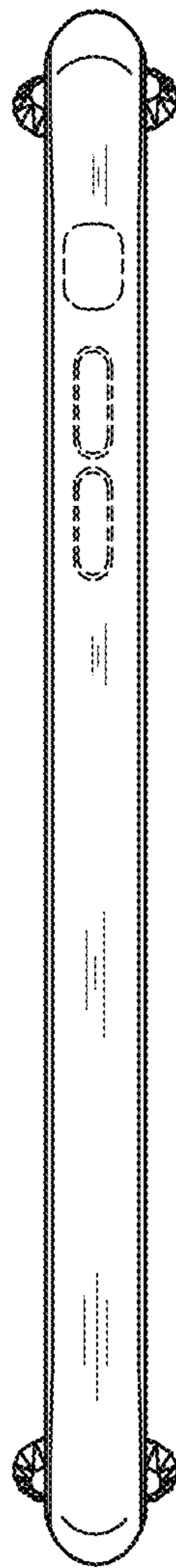


FIG. 4

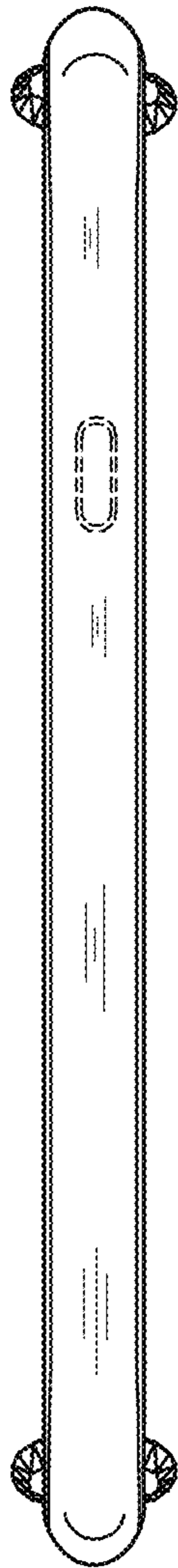


FIG. 5

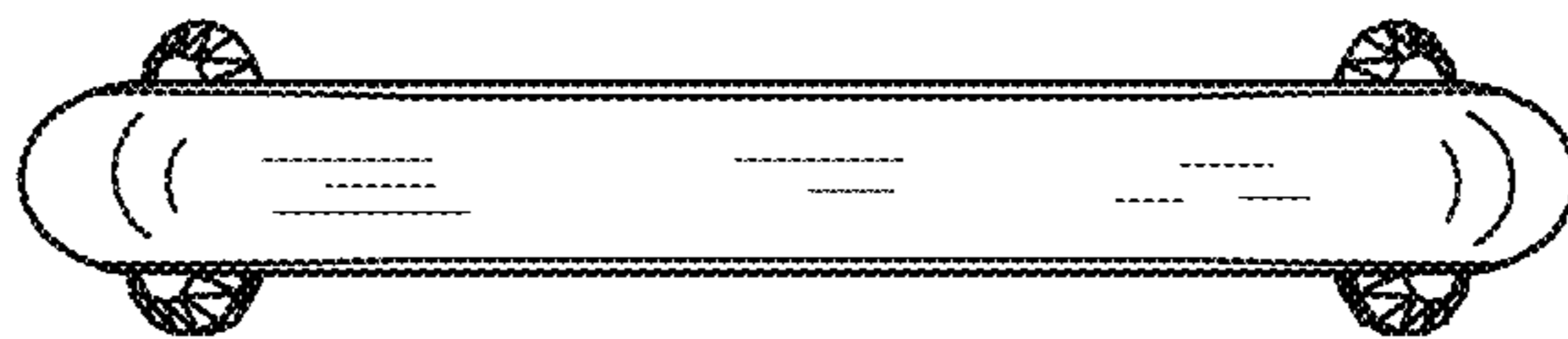


FIG. 6

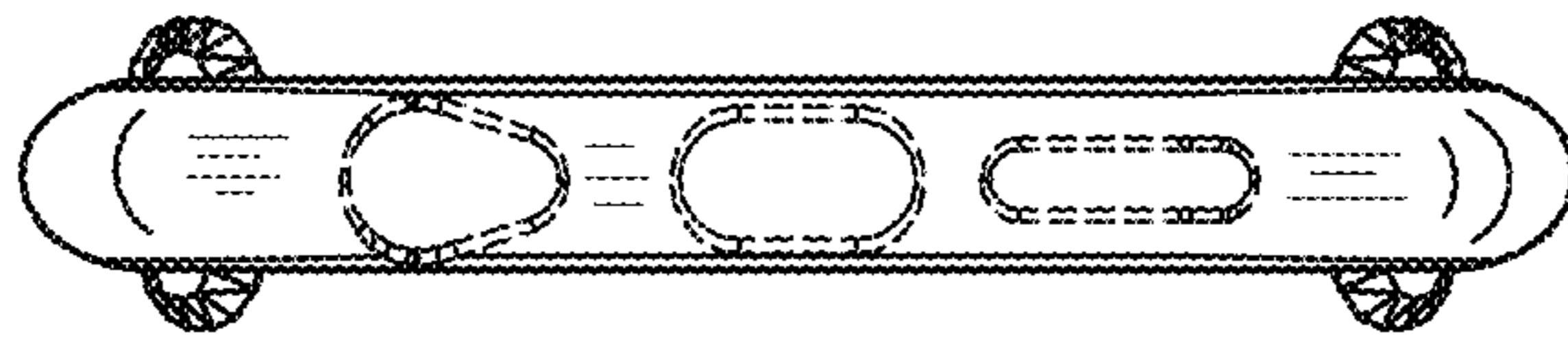


FIG.7

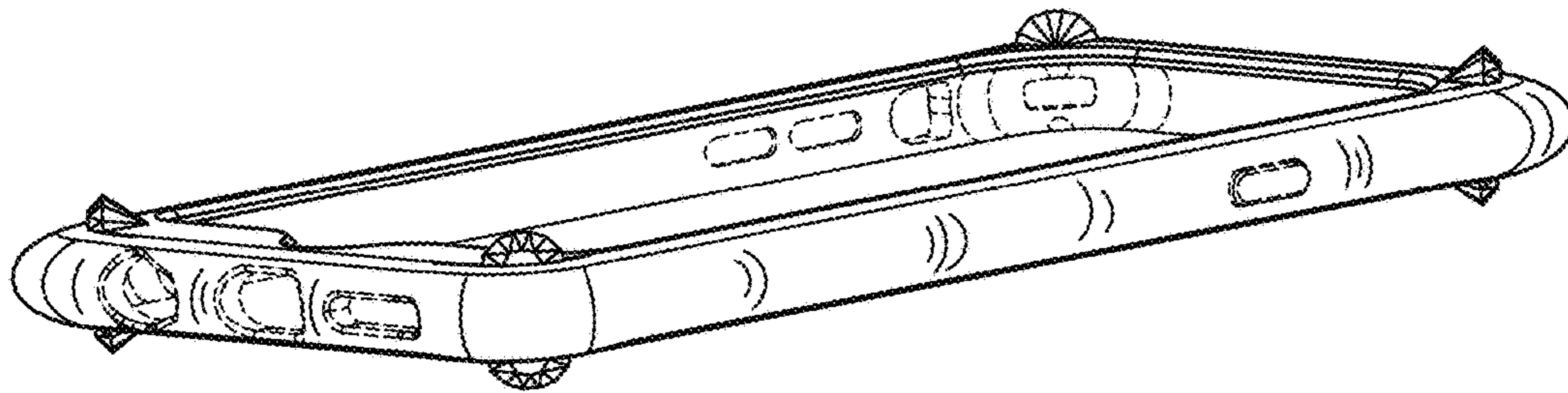


FIG.8

