



US00D780739S

(12) **United States Design Patent**
Kalbach

(10) **Patent No.:** **US D780,739 S**

(45) **Date of Patent:** **** Mar. 7, 2017**

(54) **DEVICE HOLDER**

(71) Applicant: **EK Ekcessories, Inc.**, Logan, UT (US)

(72) Inventor: **Edward Van Lee Kalbach**, Nibley, UT (US)

(73) Assignee: **EK Ekcessories, Inc.**, Logan, UT (US)

(**) Term: **14 Years**

(21) Appl. No.: **29/491,242**

(22) Filed: **May 19, 2014**

(51) **LOC (10) Cl.** **14-03**

(52) **U.S. Cl.**
USPC **D14/250**

(58) **Field of Classification Search**

USPC D14/250-253, 440, 203.3-203.7, 217,
D14/496, 248, 238.1, 240, 447, 230, 247,
D14/341, 345, 346, 439; D3/201, 218,
D3/269, 301, 273, 303, 247, 249;
D13/103, 107-108, 119; D11/178.1;
D19/10; 361/679.56; 379/426, 433.11,
379/455; 455/75.1, 575.8; 190/100;
206/305, 320; 220/4.02; 248/309.1
CPC . A45C 2011/002; A45C 11/00; A45C 13/002;
A45C 2011/003; H04M 1/0283; H04M
1/0202

See application file for complete search history.

(56) **References Cited**

U.S. PATENT DOCUMENTS

452,830 A 5/1891 Bowie et al.
652,891 A 7/1900 Cochran
D49,184 S 6/1916 Helm
1,270,207 A 6/1918 Preston
1,509,781 A 9/1924 Roth

1,803,214 A 4/1931 Siegel
1,819,738 A 8/1931 Daniel
2,481,946 A 9/1949 Pendleton
2,539,922 A 1/1951 Nyberg
2,572,889 A 10/1951 Strykower
2,660,092 A 11/1953 Bloom

(Continued)

OTHER PUBLICATIONS

“J.A.M. Plastics, Inc. Catalog” Oct. 1, 1996, Anaheim California.
(Continued)

Primary Examiner — Sandra Snapp

Assistant Examiner — Holly E Thurman

(74) *Attorney, Agent, or Firm* — TraskBritt

(57) **CLAIM**

The ornamental design for a device holder, as shown and described.

DESCRIPTION

FIG. 1 is a perspective view of a device holder showing my new design;

FIG. 2 is a front view of the device holder shown in FIG. 1;

FIG. 3 is a rear view of the device holder shown in FIG. 1;

FIG. 4 is a first side view of the device holder shown in FIG. 1;

FIG. 5 is a second side view of the device holder shown in FIG. 1;

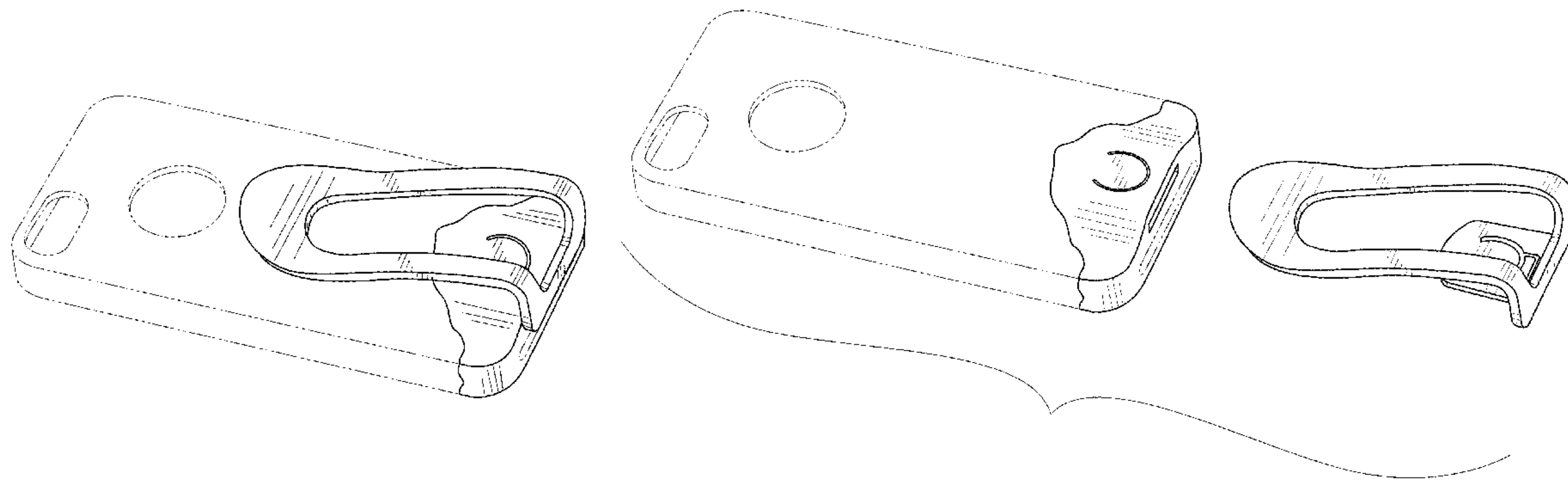
FIG. 6 is a first end view of the device holder shown in FIG. 1;

FIG. 7 is a second end view of the device holder shown in FIG. 1; and,

FIG. 8 is an exploded perspective view of the device holder shown in FIG. 1.

The broken lines in the drawings represent unclaimed environment only and form no part of the claimed design.

1 Claim, 4 Drawing Sheets



(56)

References Cited

U.S. PATENT DOCUMENTS

2,704,961 A 3/1955 Well
 2,775,804 A 1/1957 Ayoub
 2,783,926 A 3/1957 Wise
 2,947,456 A 8/1960 Seron
 3,397,026 A 8/1968 Spina
 3,450,467 A 6/1969 Phillips
 D216,075 S 11/1969 D'Elia et al.
 D222,150 S 10/1971 McCarty
 3,874,776 A 4/1975 Seron
 3,879,804 A 4/1975 Lawrence
 D237,760 S 11/1975 Woods
 D237,845 S 12/1975 Saji
 3,927,808 A 12/1975 Steen
 D245,728 S 9/1977 Rials
 4,133,604 A 1/1979 Fuller
 4,156,574 A 5/1979 Boden
 4,171,555 A 10/1979 Bakker et al.
 D265,638 S 8/1982 Barr
 D273,440 S 4/1984 Fulwiler
 D278,369 S 4/1985 Pringle et al.
 4,541,696 A 9/1985 Winger et al.
 D285,865 S 9/1986 Gamble
 4,657,364 A 4/1987 Murrell
 D290,956 S * 7/1987 Witham D14/253
 D290,964 S 7/1987 Kalbach
 D291,894 S 9/1987 Weisenfeld et al.
 4,696,556 A 9/1987 Perry, III
 D292,543 S 11/1987 Smith
 D292,750 S 11/1987 Smith
 D293,043 S 12/1987 Zamboni
 D309,619 S 7/1990 Kalbach
 D310,305 S 9/1990 Scognamillo et al.
 D310,448 S 9/1990 Scognamillo et al.
 4,976,531 A 12/1990 Kahaney
 4,978,210 A 12/1990 Lundbeck
 5,002,381 A 3/1991 Murrell
 5,015,085 A 5/1991 May
 5,027,477 A 7/1991 Seron
 D320,367 S 10/1991 Kalbach
 D320,867 S 10/1991 Kasama
 5,092,018 A 3/1992 Seron
 5,092,668 A 3/1992 Welch et al.
 D328,186 S 7/1992 Hanke
 D328,908 S 8/1992 Kalbach
 5,151,778 A 9/1992 Conley
 5,157,425 A 10/1992 Liu
 5,215,237 A 6/1993 Wu
 5,369,452 A 11/1994 Williams
 D354,759 S 1/1995 Wolff
 D354,760 S 1/1995 Wolff
 5,414,903 A 5/1995 Porteous
 D366,007 S 1/1996 Colpo
 D371,154 S 6/1996 Kalbach
 5,575,042 A 11/1996 Kalbach
 5,582,337 A 12/1996 McPherson et al.
 D377,562 S 1/1997 Wolfram
 D382,503 S 8/1997 Kalbach
 5,654,787 A 8/1997 Barison
 D383,993 S 9/1997 Kalbach
 D385,415 S 10/1997 Turbide
 D386,310 S 11/1997 Smith
 D386,610 S 11/1997 Wright
 D392,583 S 3/1998 Hoffman
 D393,183 S 4/1998 Kurtzman
 5,842,256 A 12/1998 Anscher
 5,860,191 A 1/1999 Sieger
 D414,602 S 10/1999 Bolen et al.
 D416,038 S 11/1999 Kalbach
 6,000,795 A 12/1999 Van Rysselberghe
 D418,774 S 1/2000 Kalbach
 D423,783 S 5/2000 Steurer
 6,092,897 A 7/2000 Smerdon, Jr.
 D432,401 S 10/2000 Kalbach
 6,182,334 B1 2/2001 Davancens
 D446,109 S 8/2001 Kalbach

D462,513 S 9/2002 Holzhaus et al.
 D462,523 S 9/2002 Kalbach
 D467,416 S 12/2002 Kalbach
 D472,798 S 4/2003 Kalbach
 D477,709 S 7/2003 Natividad
 D485,209 S 1/2004 Tracy et al.
 D486,511 S 2/2004 Kalbach
 D487,015 S 2/2004 Kalbach
 6,691,904 B2 2/2004 Pineda
 6,709,100 B2 3/2004 Kalbach
 6,711,785 B1 3/2004 Hicks et al.
 6,752,305 B2 6/2004 Shattuck
 D507,110 S 7/2005 Hicks et al.
 D520,241 S 5/2006 Hicks et al.
 7,056,028 B2 6/2006 Hosoda et al.
 D532,201 S 11/2006 Esch
 D533,184 S * 12/2006 Kim D14/203.5
 D536,173 S 2/2007 Hicks et al.
 D536,364 S 2/2007 Kalbach
 D539,697 S 4/2007 Mackay
 D541,190 S 4/2007 Plzak
 D541,523 S 5/2007 Zoullas et al.
 D544,400 S 6/2007 Yoshiguchi
 D557,008 S 12/2007 Stiller
 D567,704 S 4/2008 Martin
 D601,916 S 10/2009 Moss
 D608,356 S * 1/2010 Peyridieu D14/253
 D608,357 S * 1/2010 Peyridieu D14/253
 D619,495 S 7/2010 Herman
 D621,606 S 8/2010 Marquardt
 D628,797 S 12/2010 Kalbach
 D628,798 S 12/2010 Kalbach
 D629,331 S 12/2010 Kalbach
 D634,232 S 3/2011 Kelly et al.
 D637,478 S 5/2011 Kalbach
 D638,330 S 5/2011 Fahrenhorff et al.
 D639,642 S 6/2011 Kalbach
 D644,139 S 8/2011 Kalbach
 D652,830 S * 1/2012 Nazar D12/417
 D653,655 S * 2/2012 Polito D14/250
 D662,436 S 6/2012 Kalbach
 D663,949 S * 7/2012 Ito D3/218
 D669,115 S 10/2012 Kalbach
 D672,278 S 12/2012 Kalbach
 D672,279 S 12/2012 Kalbach
 D674,784 S * 1/2013 Choi D14/240
 D676,618 S 2/2013 Kalbach
 D677,188 S 3/2013 Kalbach
 D677,189 S 3/2013 Kalbach
 D677,842 S 3/2013 Kalbach
 D679,218 S 4/2013 Kalbach
 D681,504 S 5/2013 Kalbach
 D690,928 S * 10/2013 Zhang D3/218
 D699,144 S 2/2014 Kalbach
 D711,861 S * 8/2014 Mei D14/250
 D714,278 S * 9/2014 Case D14/250
 D719,143 S * 12/2014 Vidovic D14/250
 D725,380 S * 3/2015 Zhang D3/218
 D726,171 S * 4/2015 Edwards D14/250
 D752,858 S * 4/2016 Hamilton D3/218
 D756,105 S * 5/2016 Zhang D3/218
 2004/0001179 A1 1/2004 Kalbach

OTHER PUBLICATIONS

“Shockers Eyewear Retainers & Sports Accessories Catalog,” 1989-1999, Newberg, Oregon.
 “Shockers Eyewear Retainers & Sports Accessories Catalog,” 1997, Portland, Oregon.
 “SnugZ USA Catalog” Jan. 1, 1997.
 “SnugZ USA Catalog” Jan. 1, 2000.
 CIPI—Products—Neckwear & Wristwear—Lanyards, 1997.
 CIPI—Products—Neckwear & Wristwear—Lanyards, Feb. 13, 1998, Website.
 CIPI Product Line website visited Dec. 27, 2001.
 CWA Lanyards, p. 1, Website, at least as early as Feb. 1999.
 EK Ekcessories Catalog@ ASI Promotion Products, Jan. 1999.

(56)

References Cited

OTHER PUBLICATIONS

EK Ekcessories Catalog@ Aug. 1997.
EK Ekcessories Catalog@ Jan. 1998.
EK Ekcessories Pamphlet@ Industrial and Security, at least as early as Mar. 2002.
EK Ekcessories, Inc. Product Catalog@ Aug. 1993, pp. 16 and 17.
EK Ekcessories, Inc. Product Catalog@ Aug. 1994, pp. 8 and 9.
EK Keycessories Catalog@ at least as early as Mar. 2002.
IRIS Catalog, Lanyards, at least as early as Feb. 1999.
Neon Lanyards . . . Braided nylon lanyards with . . . , 1995-98, Website.
Shockers, 1997, Dealer Price List.
The Logo Shop Catalog, Logo Watch Co., p. 2, 1997, Logan Utah.
XTROS USA@ products flyer. , at least as early as Mar. 2002.

* cited by examiner

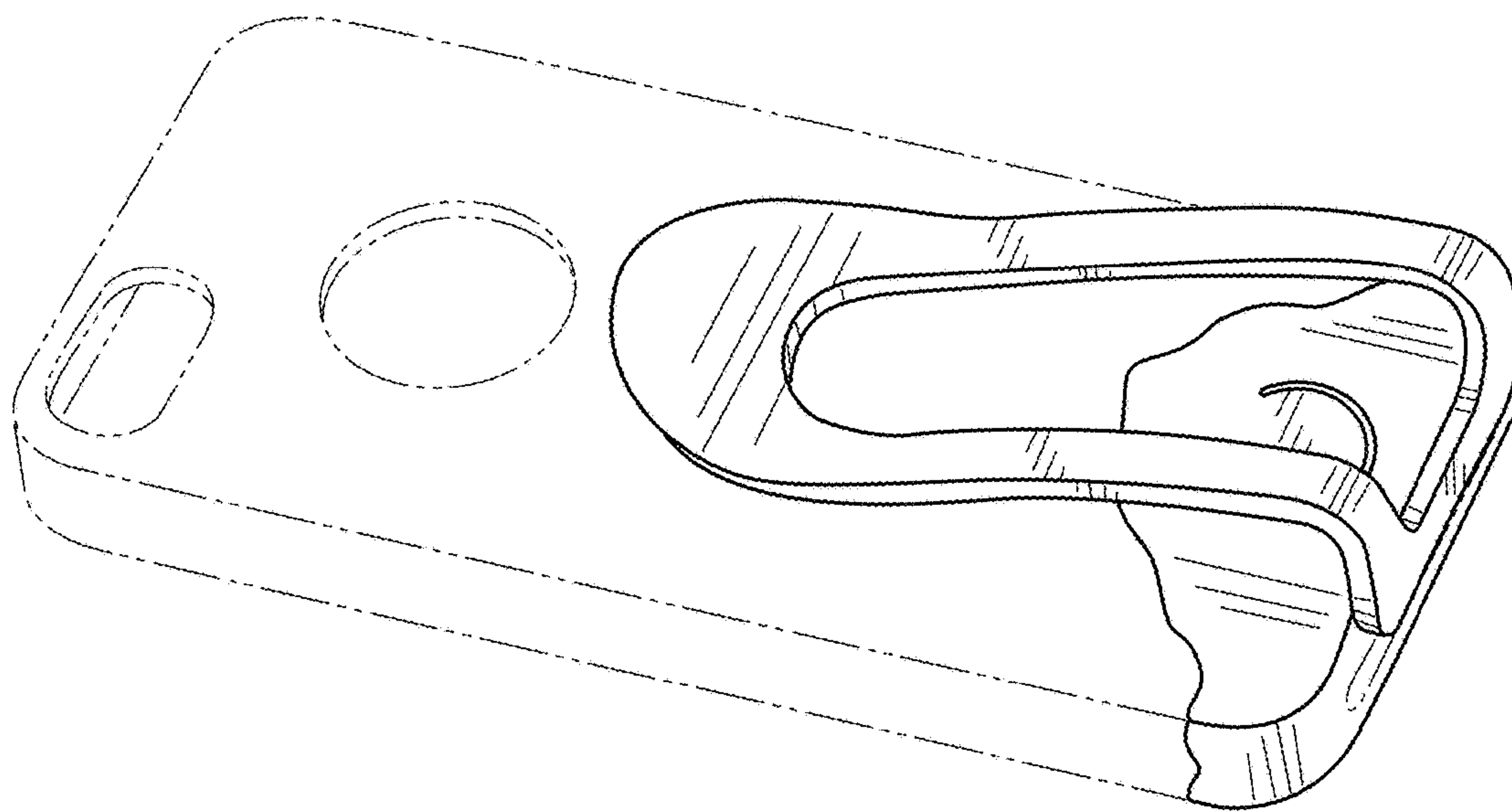


FIG. 1

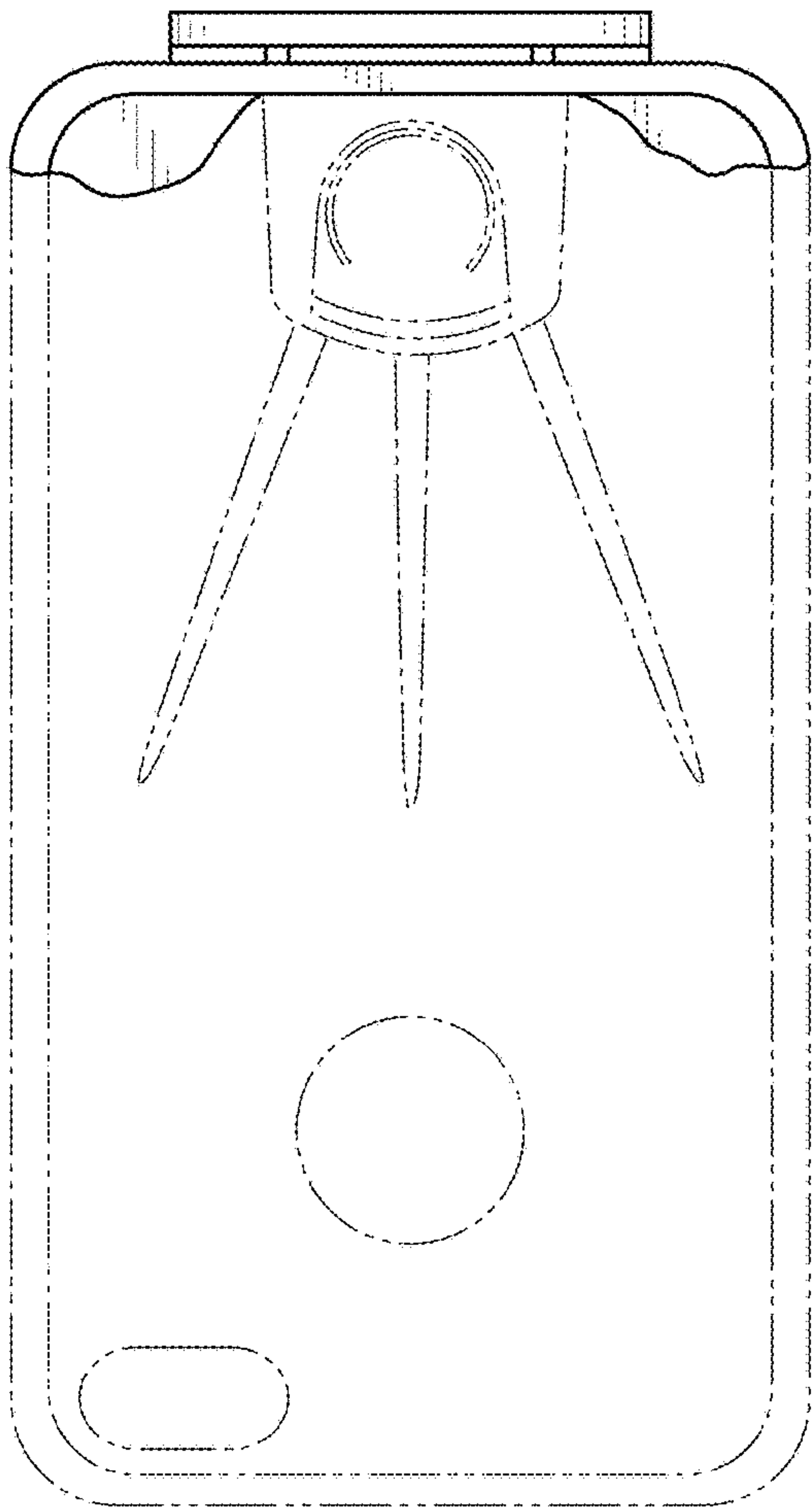


FIG. 2

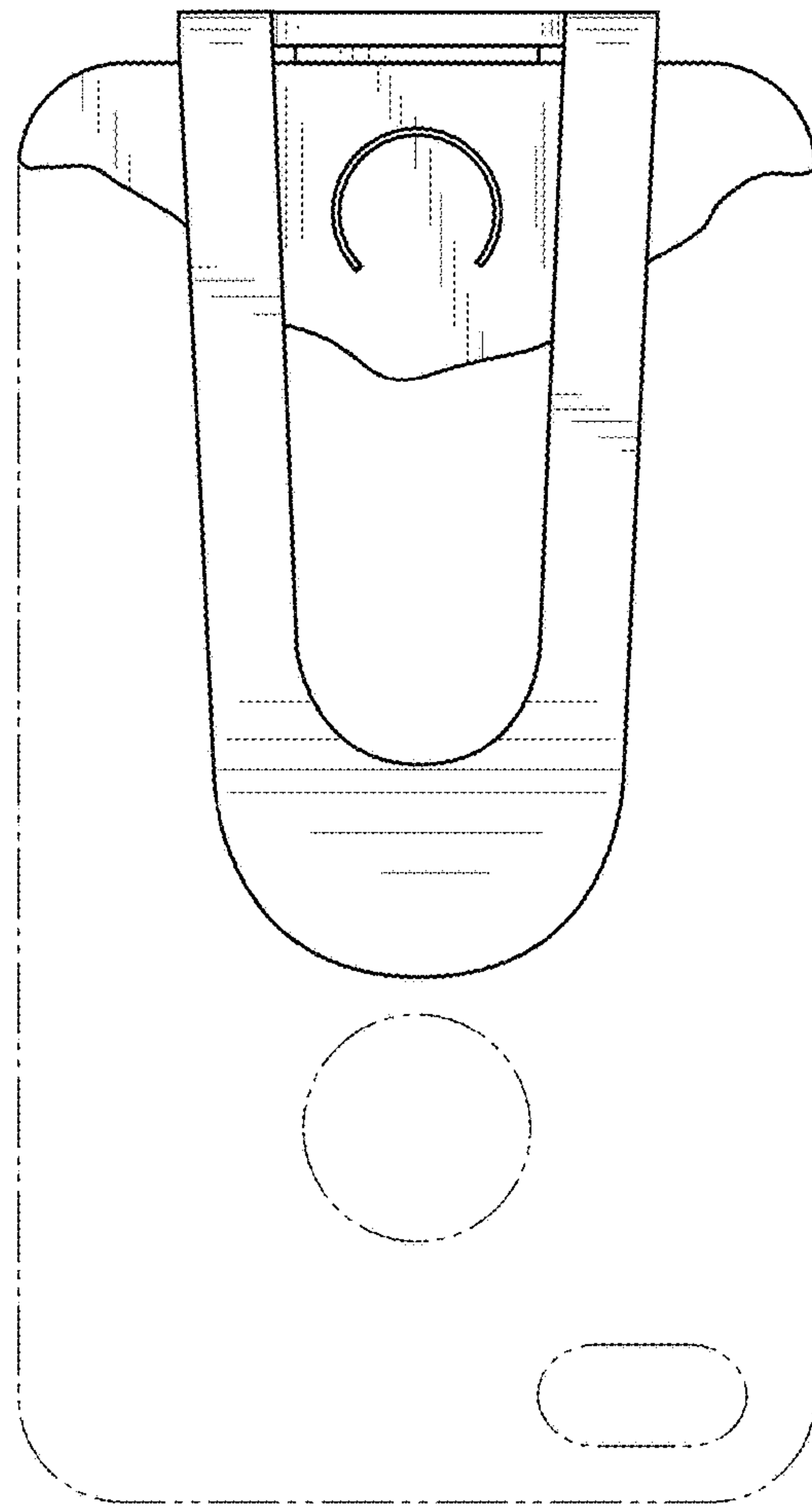


FIG. 3

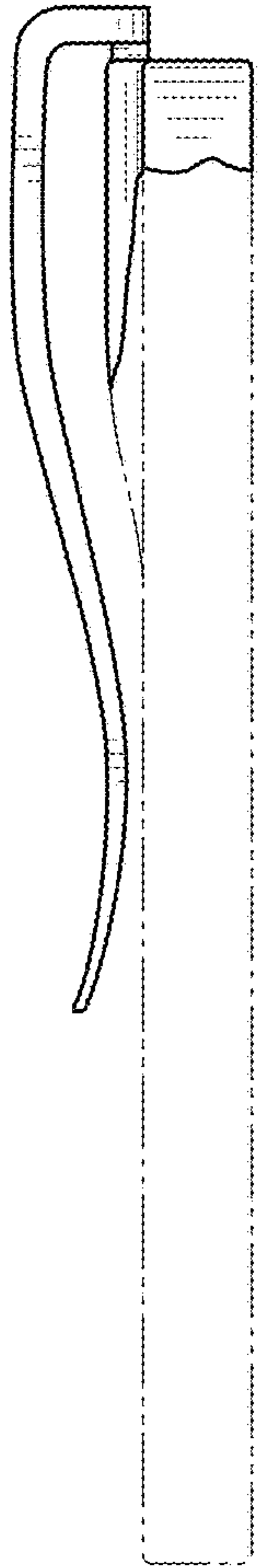


FIG. 4

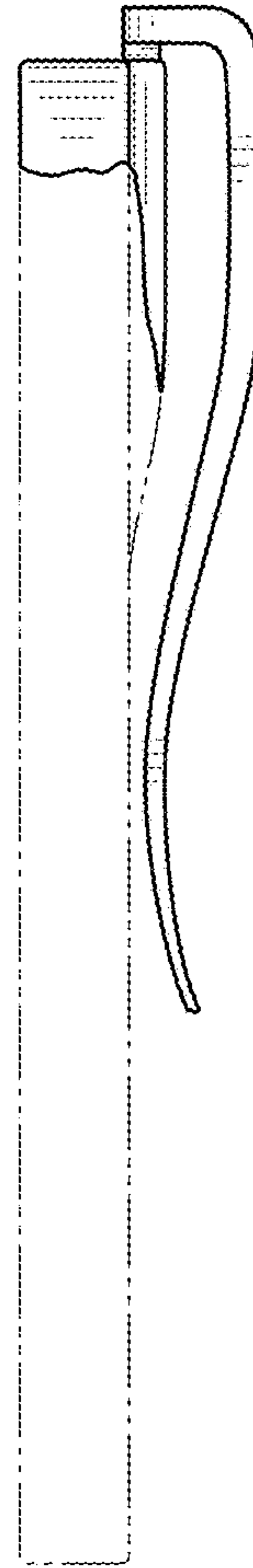


FIG. 5

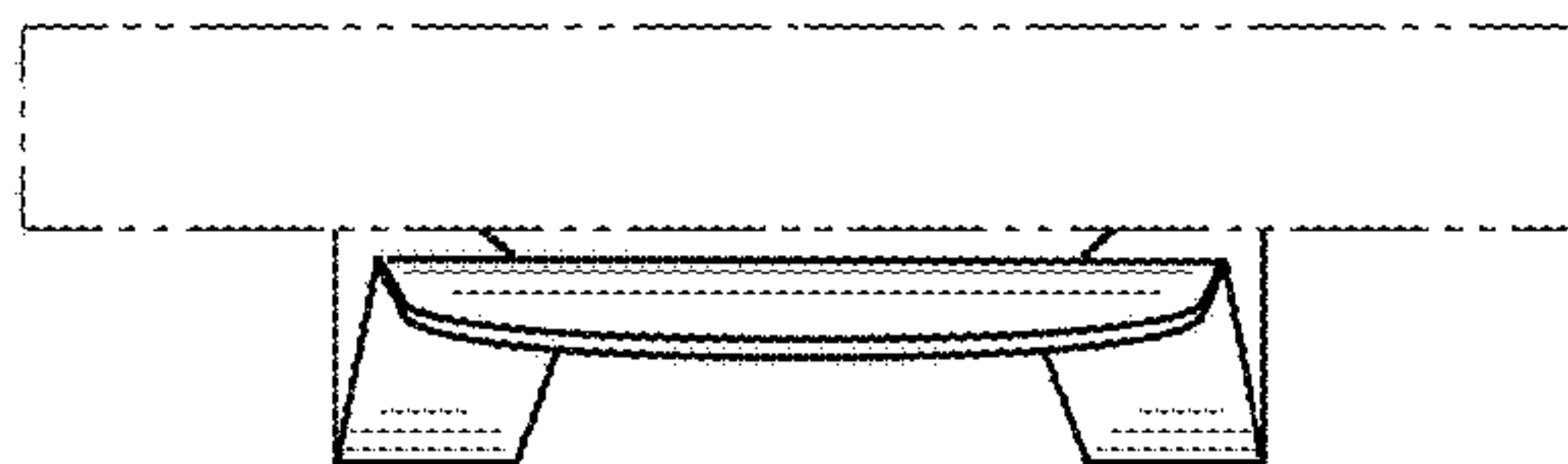


FIG. 6

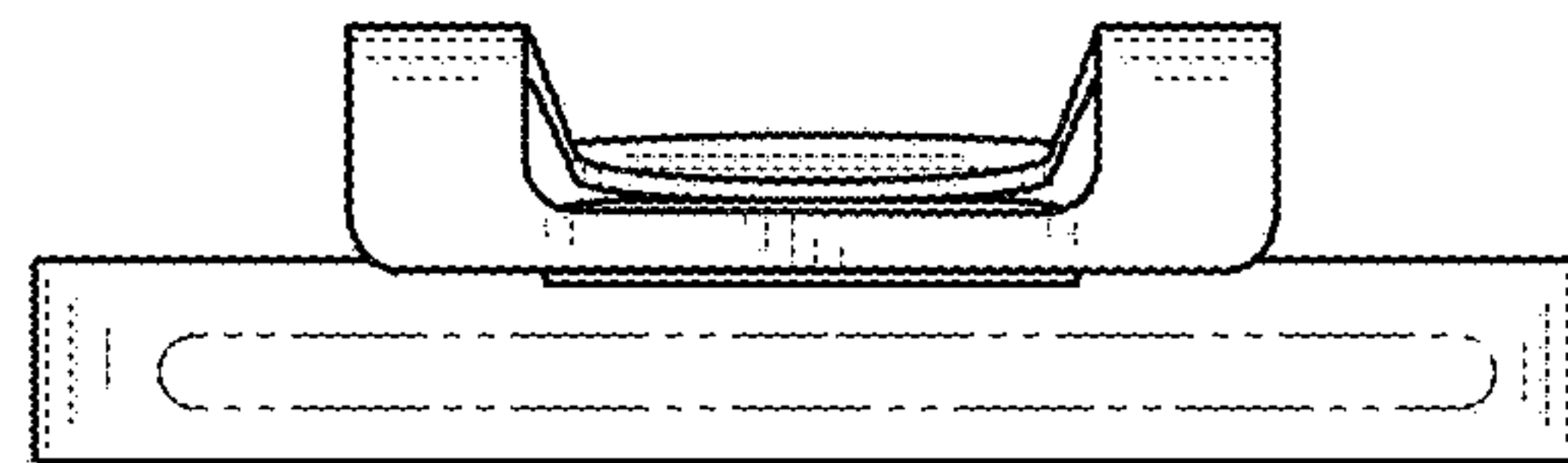


FIG. 7

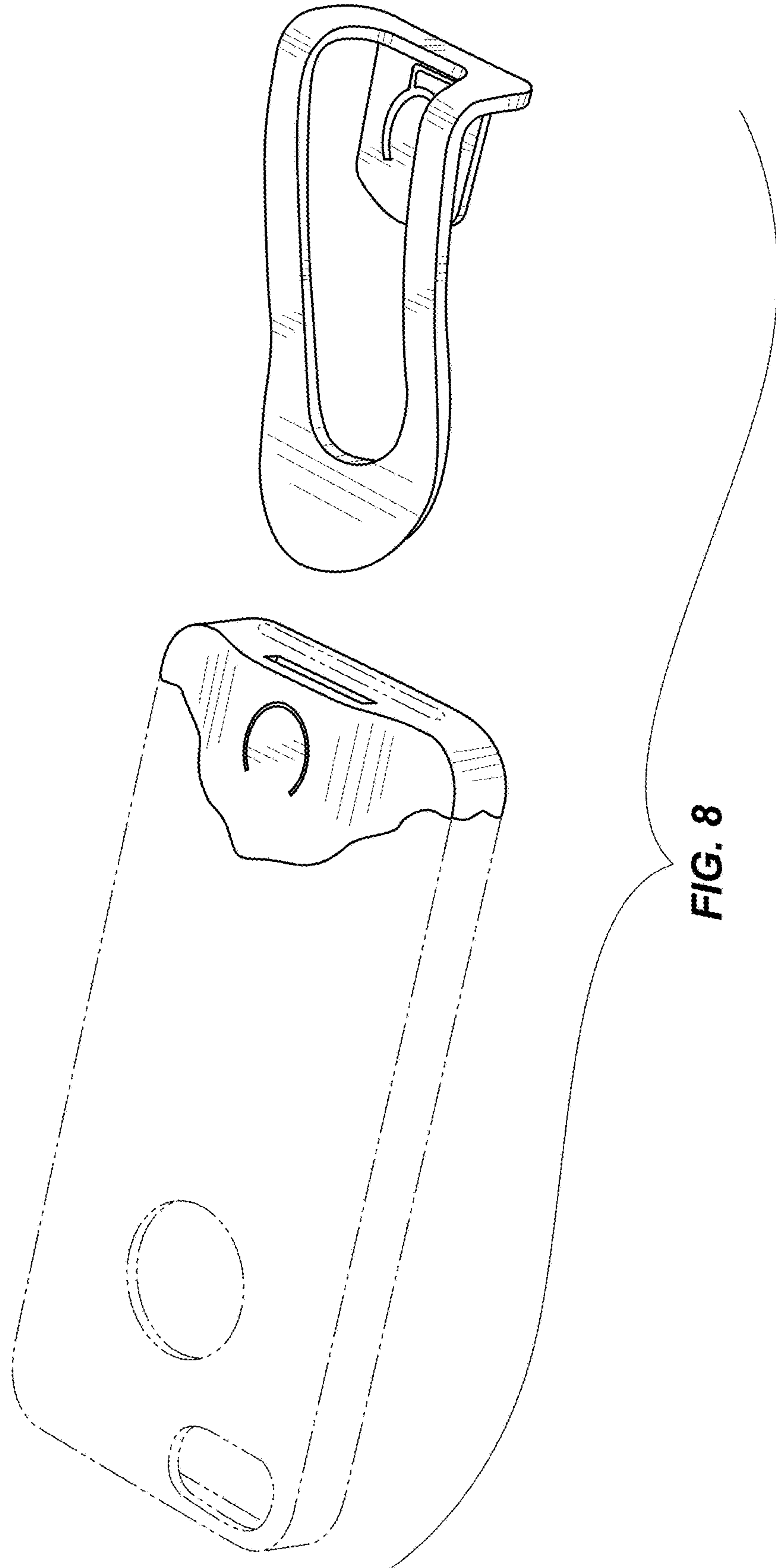


FIG. 8