



US00D780737S

(12) **United States Design Patent**
Yoshida et al.

(10) **Patent No.:** **US D780,737 S**

(45) **Date of Patent:** **** Mar. 7, 2017**

(54) **TELEPHONE HANDSET**

(71) Applicant: **Panasonic Intellectual Property Management Co., Ltd.**, Osaka (JP)

(72) Inventors: **Tomoya Yoshida**, Tochigi (JP); **Takayuki Okawa**, Osaka (JP); **Mark Prommel**, New York, NY (US); **Pilho Chung**, Palisades Park, NJ (US); **Lisa Yanz Lehman**, New York, NY (US)

(73) Assignee: **Panasonic Intellectual Property Management Co., Ltd.**, Osaka (JP)

(**) Term: **15 Years**

(21) Appl. No.: **29/539,370**

(22) Filed: **Sep. 14, 2015**

(51) **LOC (10) Cl.** **14-03**

(52) **U.S. Cl.**
USPC **D14/248; D16/208**

(58) **Field of Classification Search**
USPC D14/140, 140.1, 140.3, 142, 144, 147, D14/148, 149, 188, 217, 240, 243, 247, D14/248, 251, 252, 253, 299, 329, 138 G, D14/138 AA; D21/517, 333; D16/202, D16/219, 130, 134, 136, 208; 379/21, 379/325, 328, 330, 369, 370, 426, 449, 379/450, 455, 210.02; 710/303, 304; D13/162, 168
CPC H04M 1/00; H04M 1/003; H04M 1/02; H04M 1/03; H04M 1/04; H04M 1/0202; H04M 1/026; H04M 1/0264; H04M 1/0297

See application file for complete search history.

(56) **References Cited**

U.S. PATENT DOCUMENTS

D255,667 S * 7/1980 Perjo D10/108
D408,821 S * 4/1999 Takahashi D14/218

D423,491 S * 4/2000 Harris D14/130
D454,869 S * 3/2002 Becker D14/248
D467,958 S * 12/2002 Senda D16/218
D482,027 S * 11/2003 Sinclair D14/248
D496,355 S * 9/2004 Harshbarger D14/248
D496,927 S * 10/2004 Johansson D14/248

(Continued)

Primary Examiner — Susan Bennett Hattan

Assistant Examiner — Marie Fast Horse

(74) *Attorney, Agent, or Firm* — Panasonic IP Management; Kerry S. Culpepper

(57) **CLAIM**

We claim the ornamental design for a telephone handset, as shown and described.

DESCRIPTION

FIG. 1 is a rear-left-top perspective view of a telephone handset of the present invention;
FIG. 2 is a rear-right-top perspective view thereof;
FIG. 3 is a front view thereof;
FIG. 4 is a rear view thereof;
FIG. 5 is a left side view thereof;
FIG. 6 is a right side view thereof;
FIG. 7 is a top view thereof;
FIG. 8 is a bottom view thereof;
FIG. 9 is an end view of the section part taken along the line 9-9 in FIG. 4 with the internal parts being omitted; and,
FIG. 10 is an end view of the section part taken along the line 10-10 in FIG. 4 with the internal parts being omitted.
The broken lines shown represent portions of the telephone handset that form no part of the claimed design.
The dot-dash lines in the drawings define the bounds of the claimed design only and form no part of the claimed design.

1 Claim, 10 Drawing Sheets



(56)

References Cited

U.S. PATENT DOCUMENTS

D535,276 S * 1/2007 Franck D14/147
 D537,432 S * 2/2007 Kim D14/138 AA
 7,450,172 B2 * 11/2008 Lee H04M 1/0208
 348/333.06
 D585,411 S * 1/2009 Eaton D14/138 G
 D589,503 S * 3/2009 McPhail D14/248
 D589,952 S * 4/2009 Hang D14/248
 D593,034 S * 5/2009 Mori D13/146
 D594,836 S * 6/2009 Harju D14/138 AD
 D602,463 S * 10/2009 Eguchi D14/138 G
 D605,623 S * 12/2009 Aarras D14/138 AD
 D606,038 S * 12/2009 Aarras D14/138 G
 D627,813 S * 11/2010 Chen D16/202
 D648,712 S * 11/2011 Brickstad D10/65
 D664,146 S * 7/2012 Hoehn D14/433
 D666,658 S * 9/2012 Furlan D16/202
 D666,659 S * 9/2012 Furlan D16/202
 D680,985 S * 4/2013 Kangasmaa D14/138 G
 D686,605 S * 7/2013 Palmeri D14/250
 D689,837 S * 9/2013 Kangasmaa D14/138 C
 D692,473 S * 10/2013 Kawaguchi D16/202

D697,874 S * 1/2014 Stusynski D13/168
 D707,742 S * 6/2014 Imamizu D16/202
 D710,845 S * 8/2014 Aumiller D14/344
 D716,279 S * 10/2014 Ou D14/248
 D717,761 S * 11/2014 Takahata D14/142
 D720,732 S * 1/2015 Chou D14/248
 D729,796 S * 5/2015 Song D14/344
 D735,703 S * 8/2015 Reivo D14/248
 D741,305 S * 10/2015 Lee D14/248
 D744,451 S * 12/2015 Takahata D14/142
 D744,467 S * 12/2015 Lee D14/248
 D752,011 S * 3/2016 Takahata D14/142
 D752,012 S * 3/2016 Takahata D14/142
 D757,696 S * 5/2016 Eski D14/240
 D759,621 S * 6/2016 Maxwell D14/130
 D763,254 S * 8/2016 Aumiller D14/344
 D763,838 S * 8/2016 Lee D14/138 C
 D766,236 S * 9/2016 Solomon D14/344
 2007/0202914 A1 * 8/2007 Maaloe G06F 1/1616
 455/550.1
 2008/0300015 A1 * 12/2008 Silverbrook B41J 2/01
 455/556.1
 2013/0242187 A1 * 9/2013 Noda G09G 3/3611
 348/441

* cited by examiner

FIG. 1

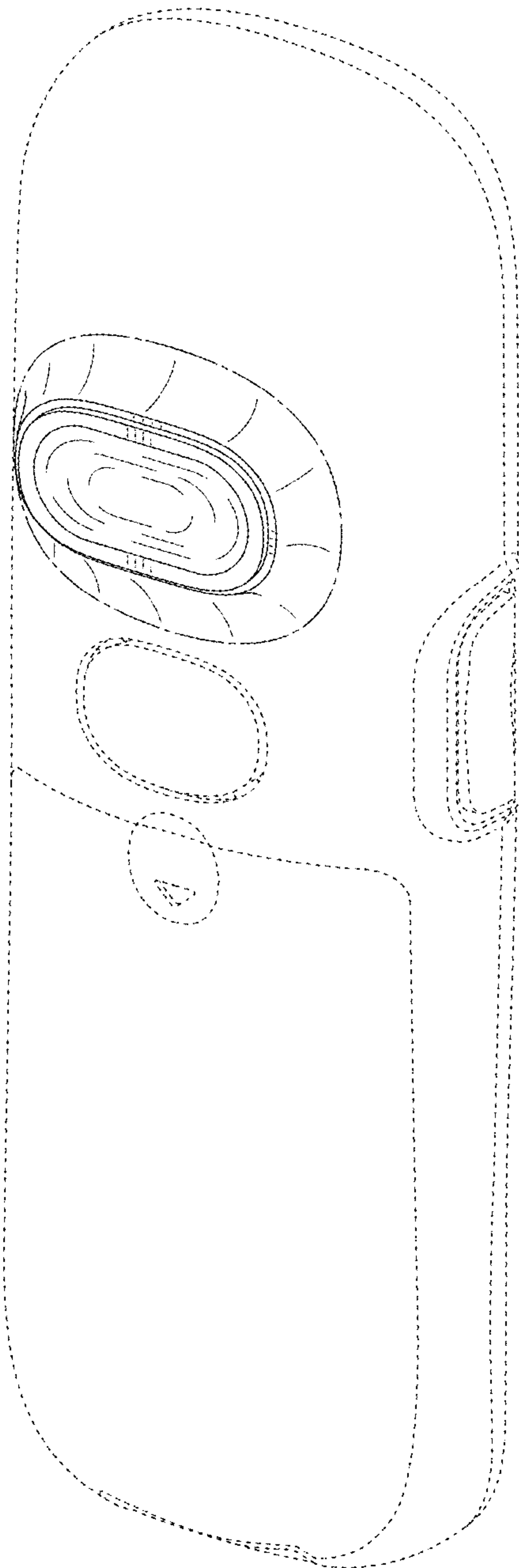


FIG. 2

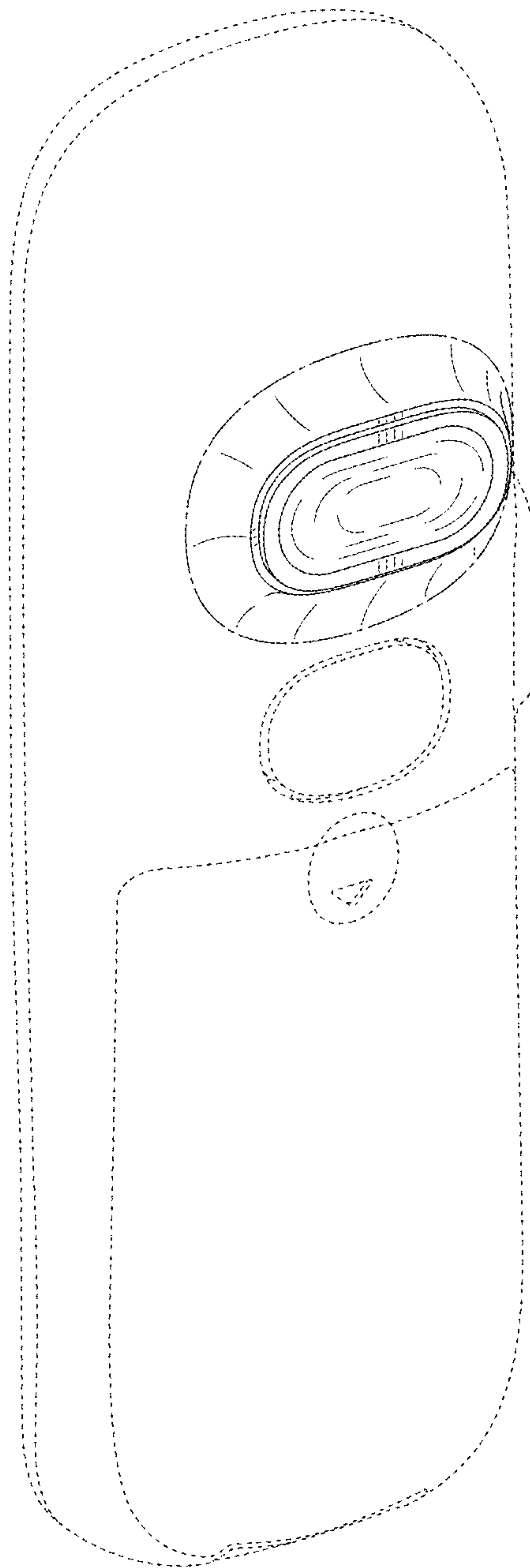


FIG. 3

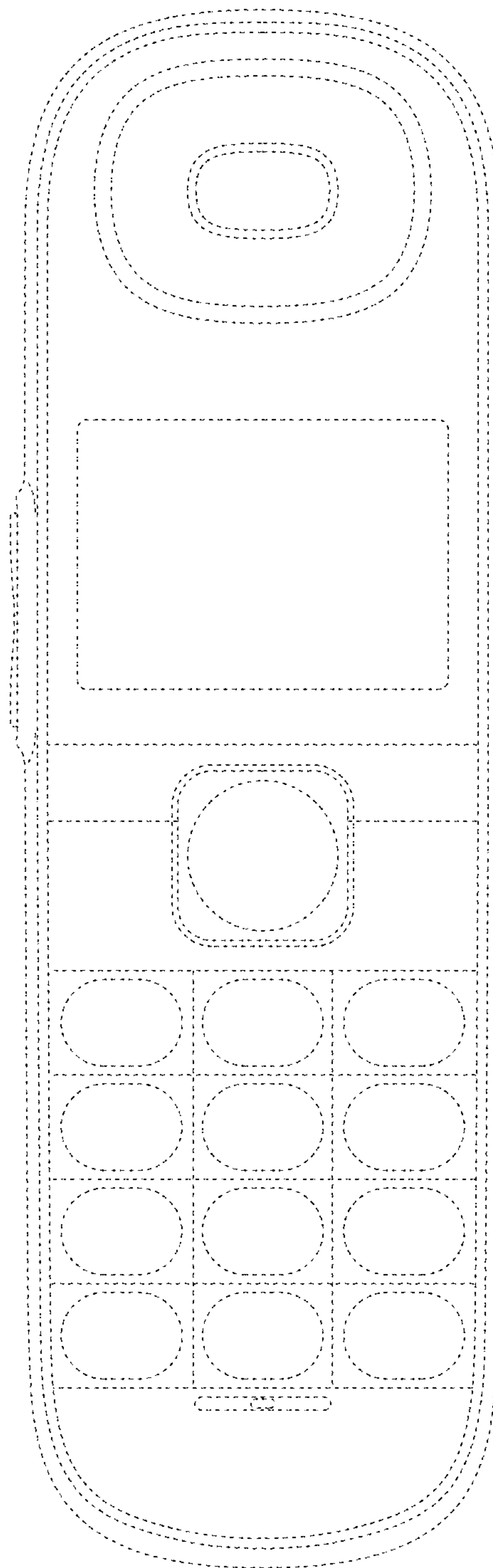


FIG. 4

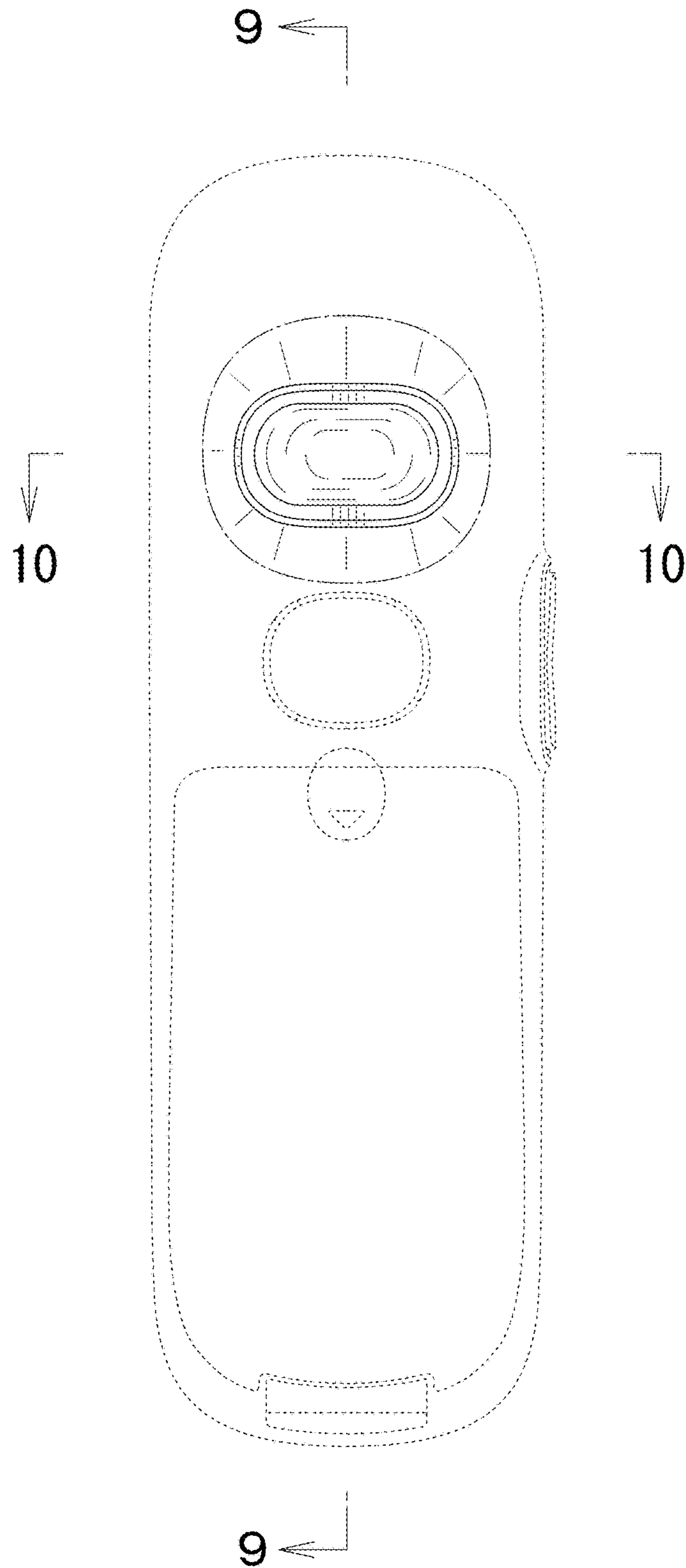


FIG. 5

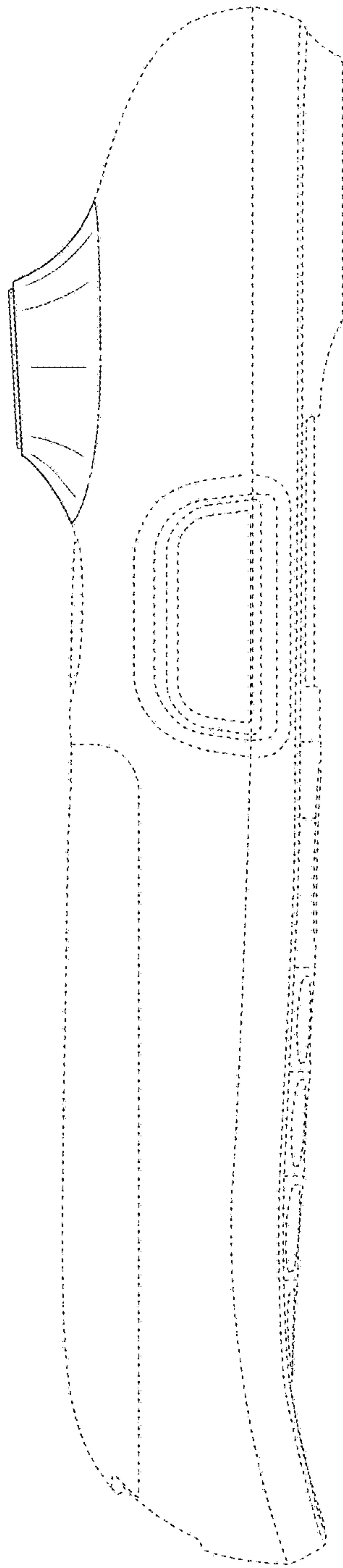


FIG. 6

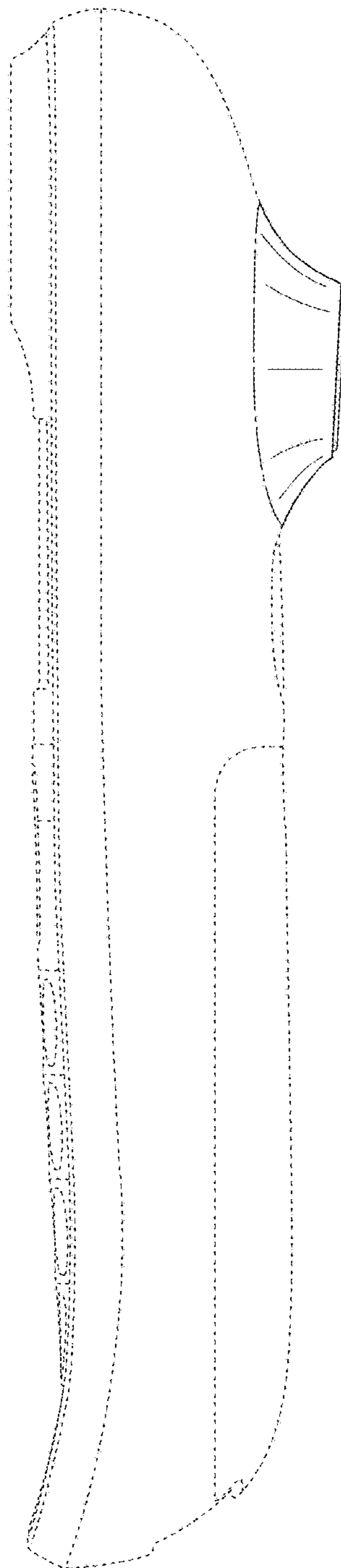


FIG. 7

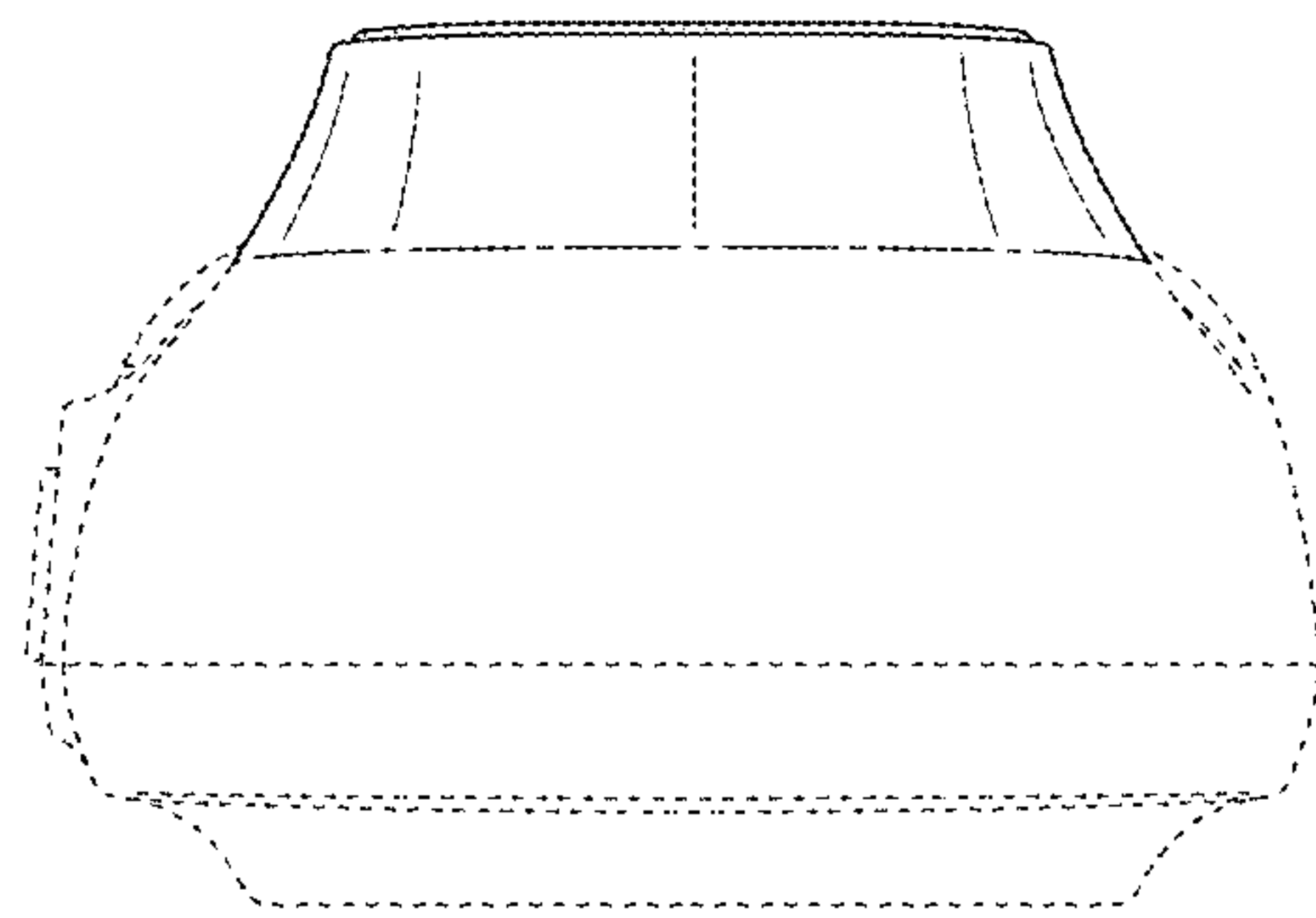


FIG. 8

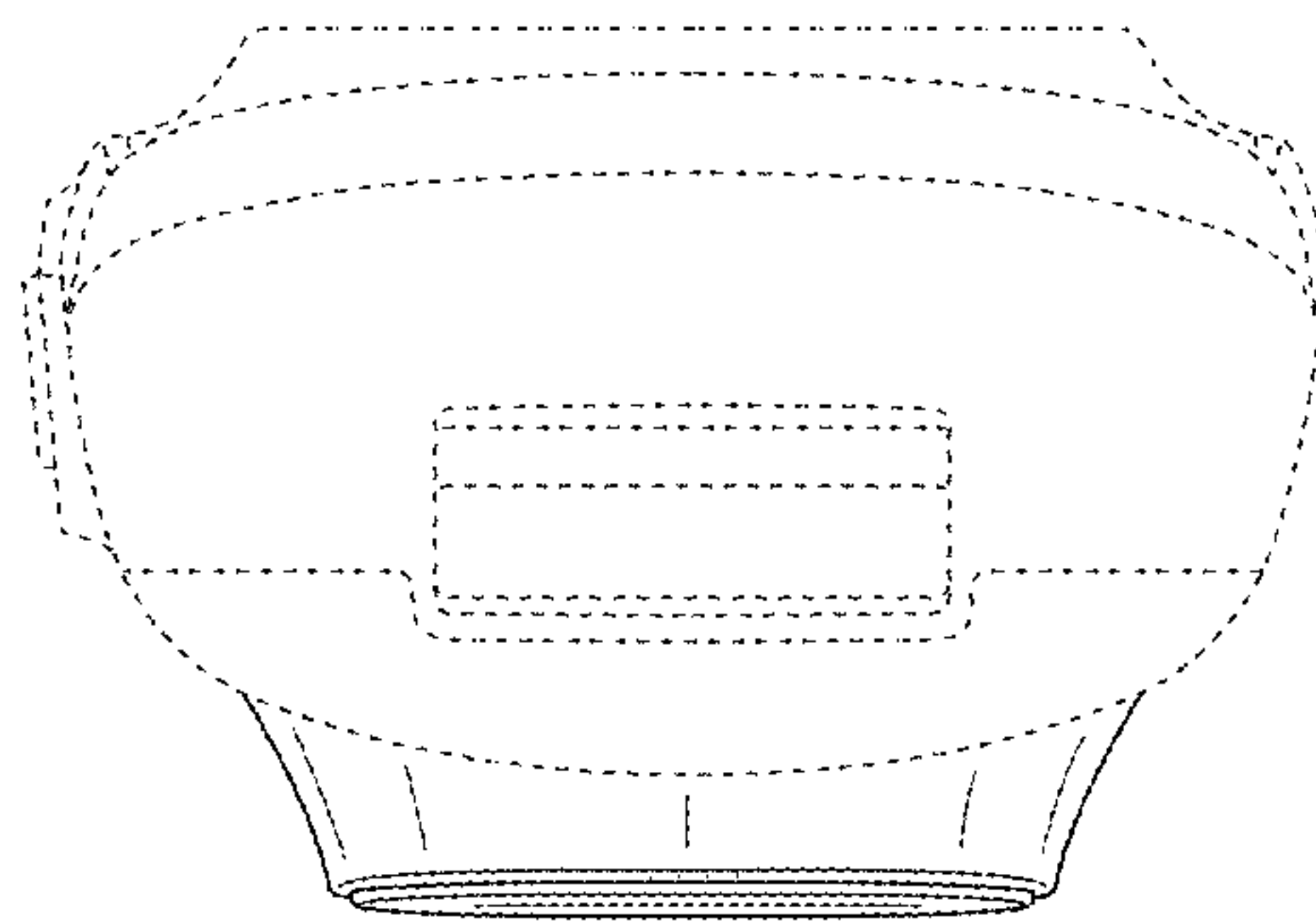


FIG. 9

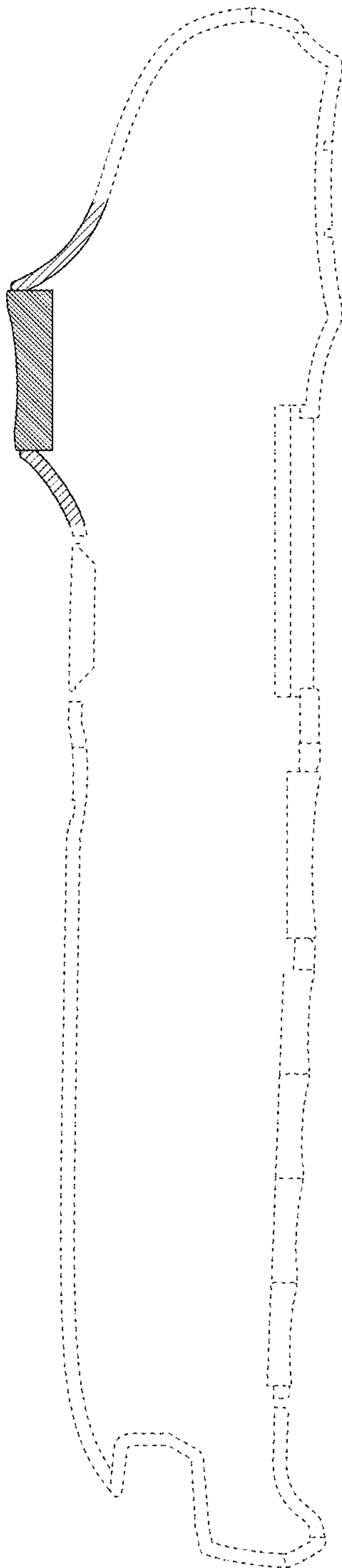


FIG. 10

