



US00D780730S

(12) **United States Design Patent**
Shin et al.

(10) **Patent No.:** **US D780,730 S**

(45) **Date of Patent:** **** Mar. 7, 2017**

(54) **GATEWAY TERMINAL**

(71) Applicant: **LG ELECTRONICS INC.**, Seoul
(KR)

(72) Inventors: **Daekee Shin**, Seoul (KR); **Hophil Lee**,
Seoul (KR); **Younghwan Lee**, Seoul
(KR)

(73) Assignee: **LG ELECTRONICS INC.**, Seoul
(KR)

(**) Term: **15 Years**

(21) Appl. No.: **29/540,342**

(22) Filed: **Sep. 23, 2015**

(30) **Foreign Application Priority Data**

Mar. 27, 2015 (KR) 30-2015-0015849

(51) **LOC (10) Cl.** **14-03**

(52) **U.S. Cl.**
USPC **D14/242**

(58) **Field of Classification Search**
USPC D14/242, 240, 357, 358, 125, 140-140.9,
D14/155, 137, 139, 243, 239, 433, 496,
D14/188, 348, 351, 356
CPC H04L 12/00; H03K 17/00; H04W 88/00;
H04W 88/005; H04W 88/02; H04W
88/08; H04W 88/085; H04W 88/10;
H04W 88/12; H04W 88/14; H04B 1/38
See application file for complete search history.

(56) **References Cited**

U.S. PATENT DOCUMENTS

D96,018 S * 6/1935 Cannon D14/251
D218,119 S * 7/1970 Ogasawara D10/51
D326,651 S * 6/1992 Ogasawara D10/2
D417,870 S * 12/1999 Kokkinis D14/171

D468,296 S * 1/2003 Graceffa D13/164
D491,913 S * 6/2004 Chan D14/168
D541,254 S * 4/2007 Dayan D14/155
D626,952 S * 11/2010 Ding D14/242
D644,204 S * 8/2011 Poandl D14/215
D669,432 S * 10/2012 Park D13/108
D673,931 S * 1/2013 Bolton D14/204
D697,898 S * 1/2014 Park D14/209.1
D720,752 S * 1/2015 Bleads D14/420

FOREIGN PATENT DOCUMENTS

CN 303579255 * 2/2016
CN 303755757 * 7/2016
KR 300820651.0000 * 10/2015
WO D087429-002 * 3/2016

* cited by examiner

Primary Examiner — Bridget L Eland

Assistant Examiner — Lauren McVey

(74) *Attorney, Agent, or Firm* — KED & Associates LLP

(57) **CLAIM**

We claim the ornamental design for a gateway terminal, as shown and described.

DESCRIPTION

FIG. 1 is a perspective view of a gateway terminal showing our new design:

FIG. 2 is a front elevation view thereof;

FIG. 3 is a rear elevation view thereof;

FIG. 4 is a left-side elevation view thereof;

FIG. 5 is a right-side elevation view thereof;

FIG. 6 is a top plan view thereof; and,

FIG. 7 is a bottom plan view thereof.

The broken lines immediately adjacent the claim represent the bounds of the claimed design while all other broken lines are directed to environment and are for illustrative purposes only; the broken lines form no part of the claimed design.

1 Claim, 4 Drawing Sheets

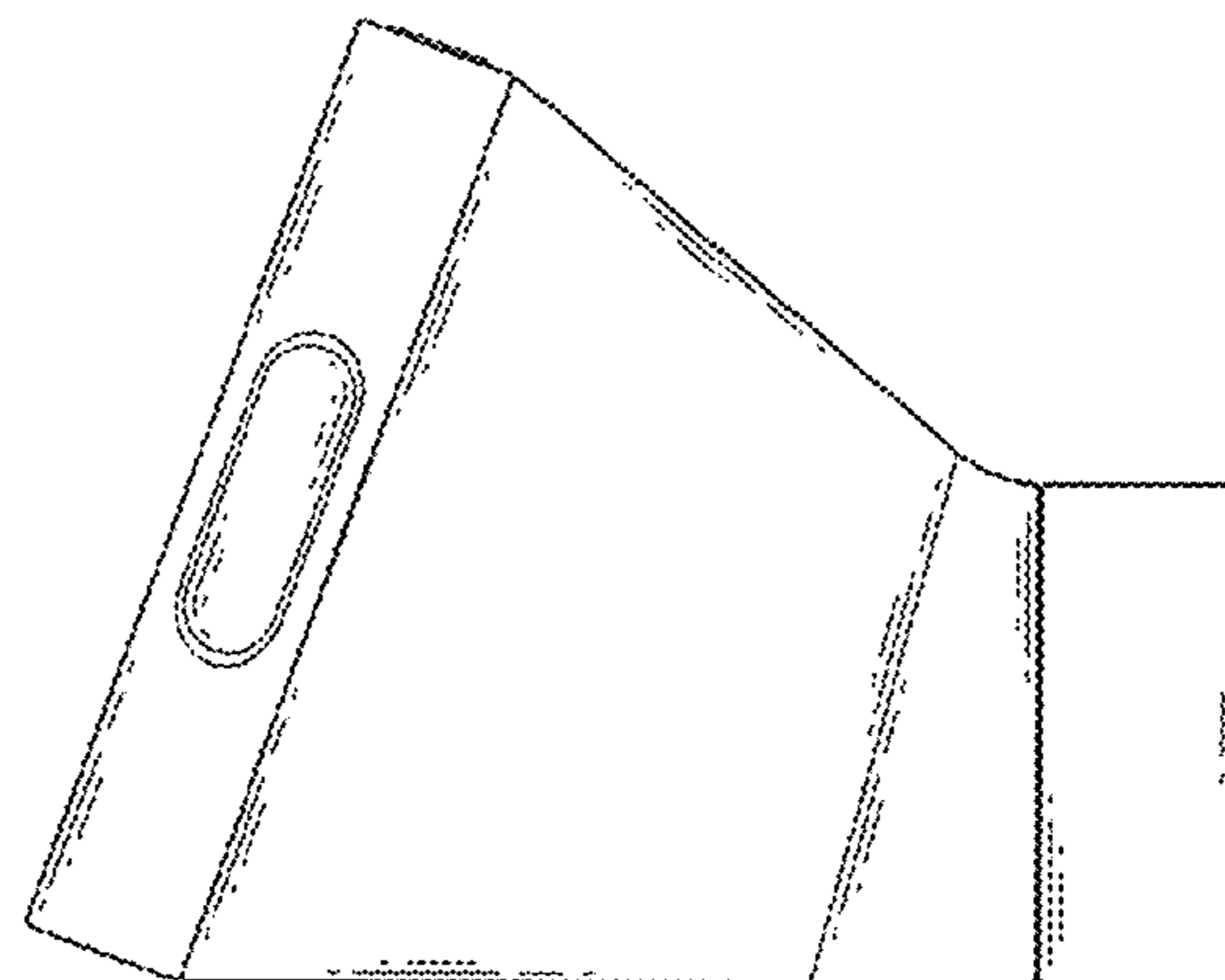
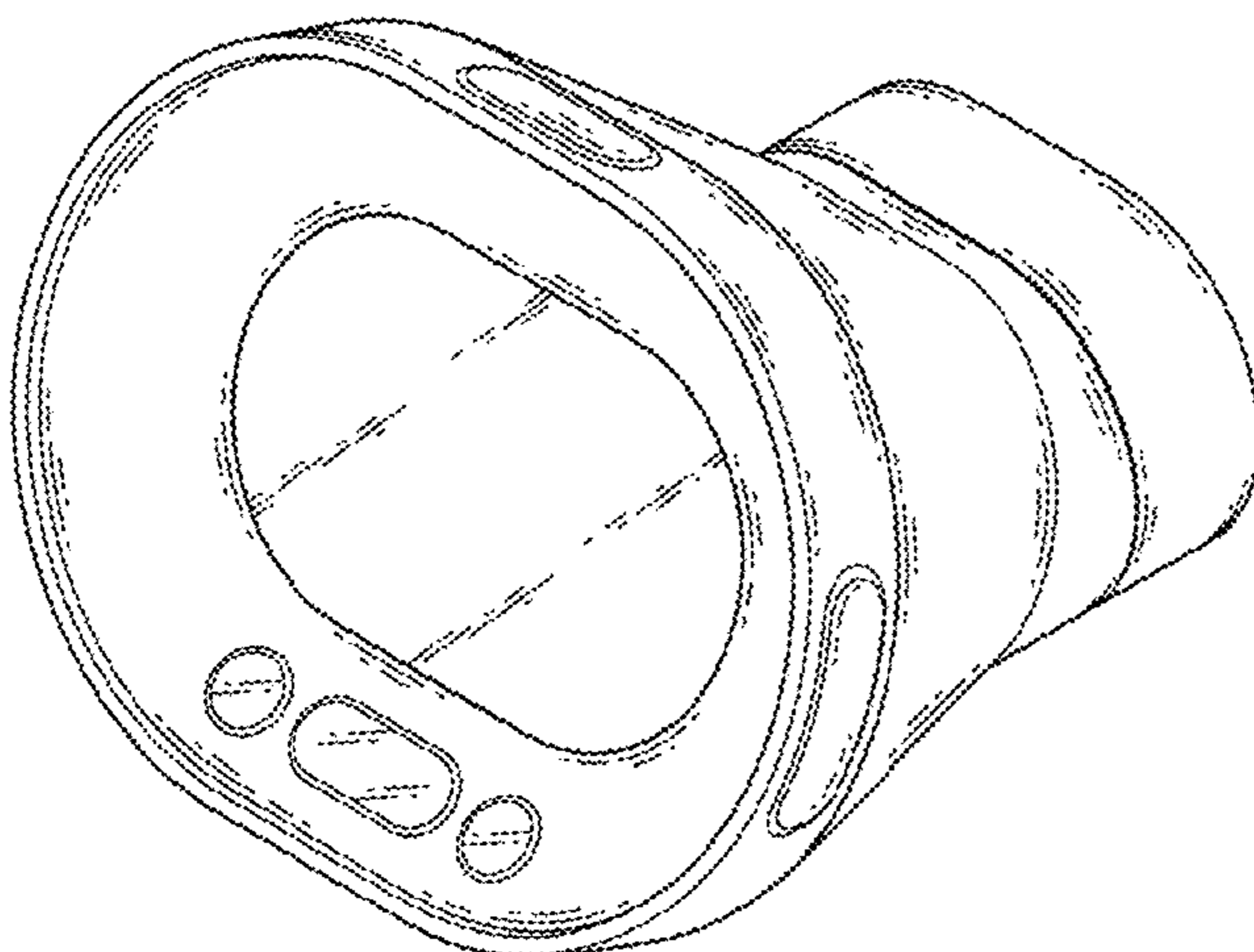


FIG. 1

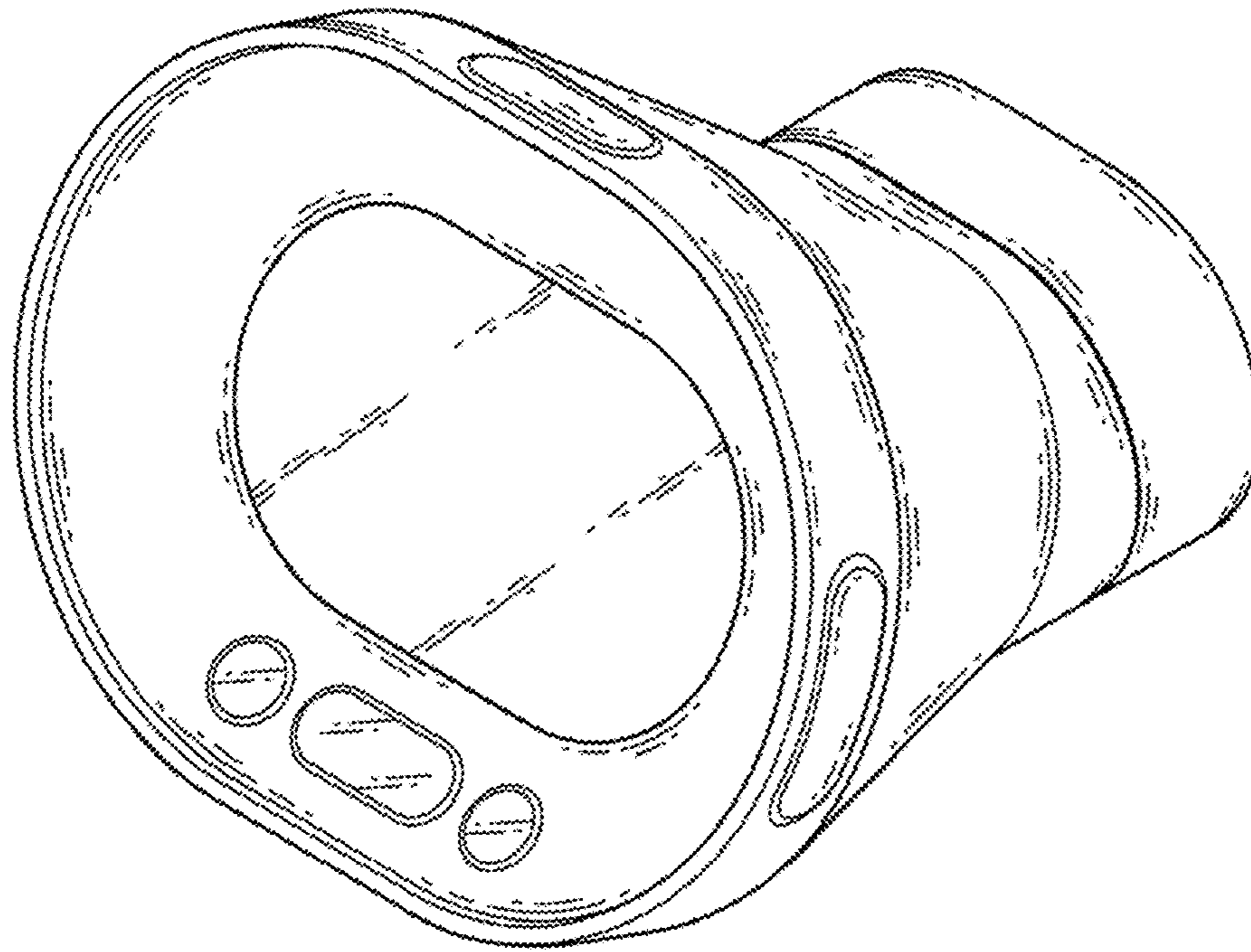


FIG. 2

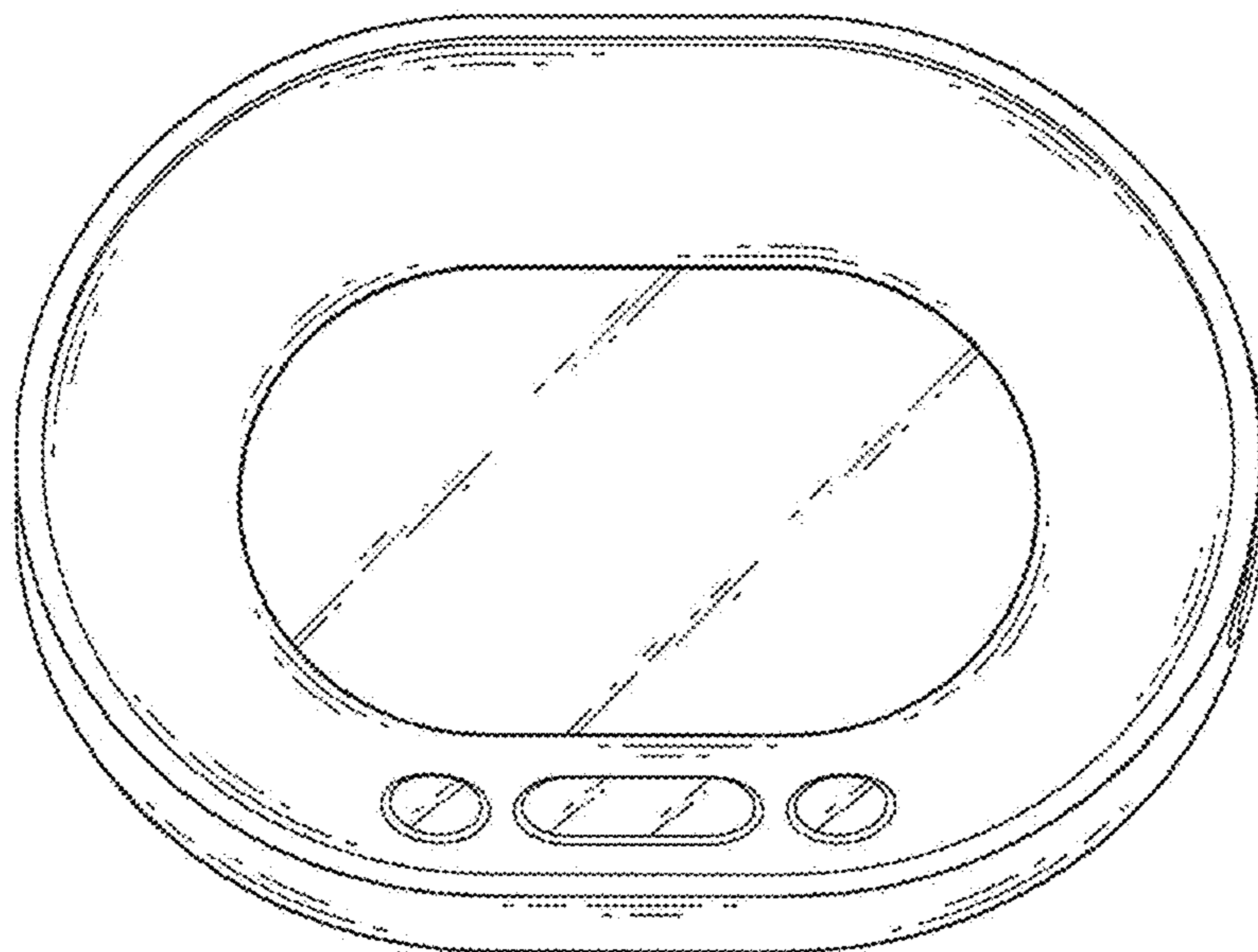


FIG. 3

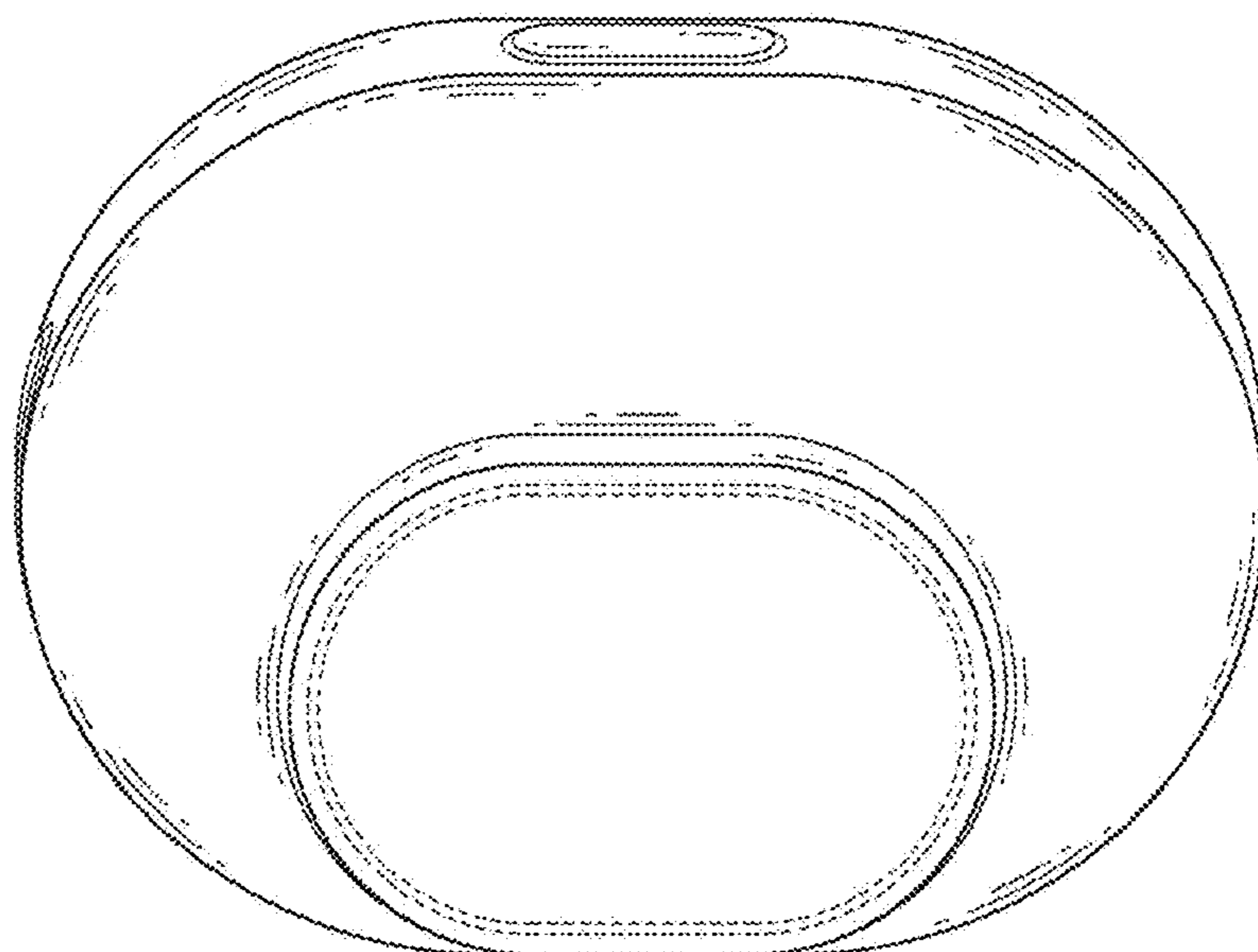


FIG. 4

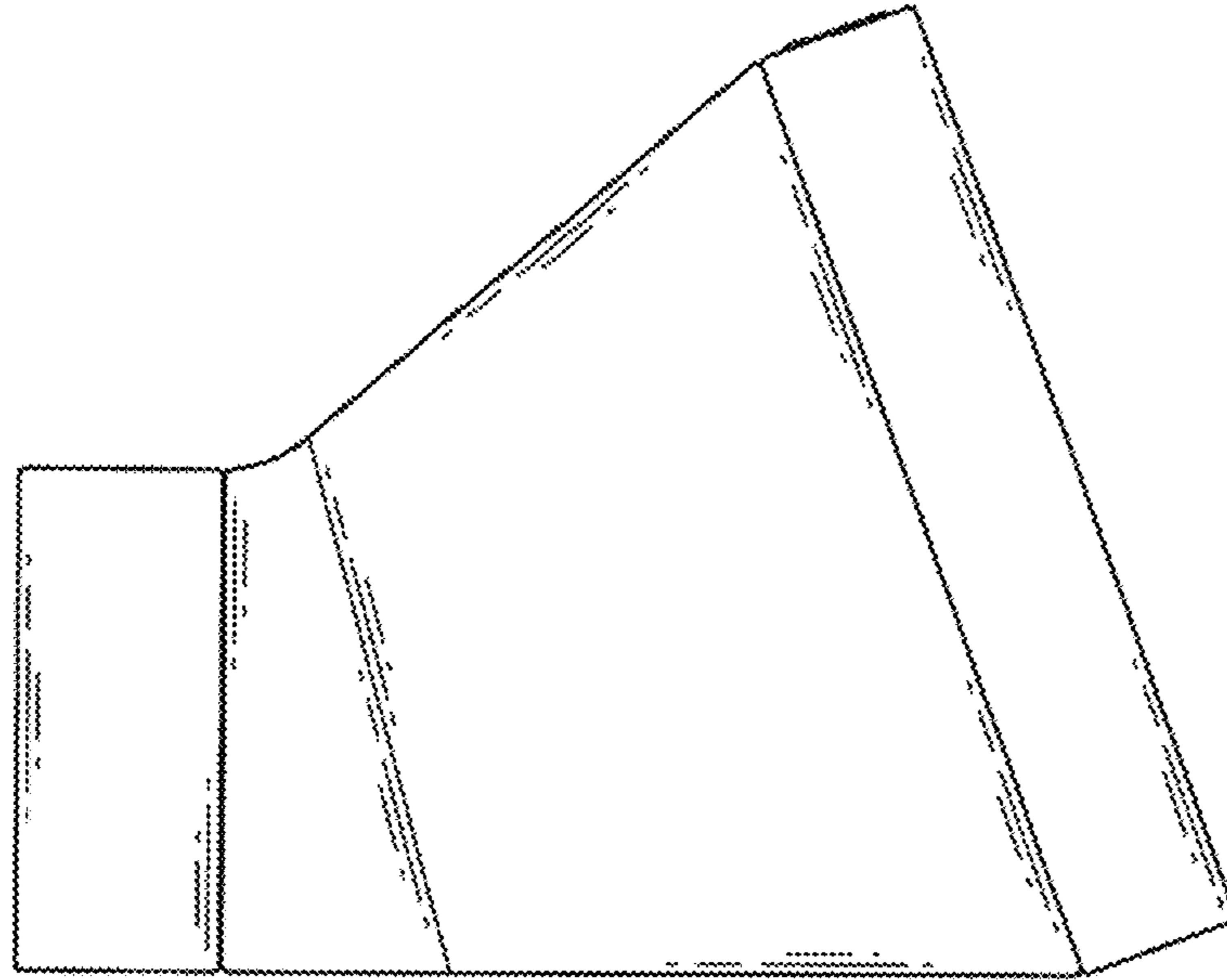


FIG. 5

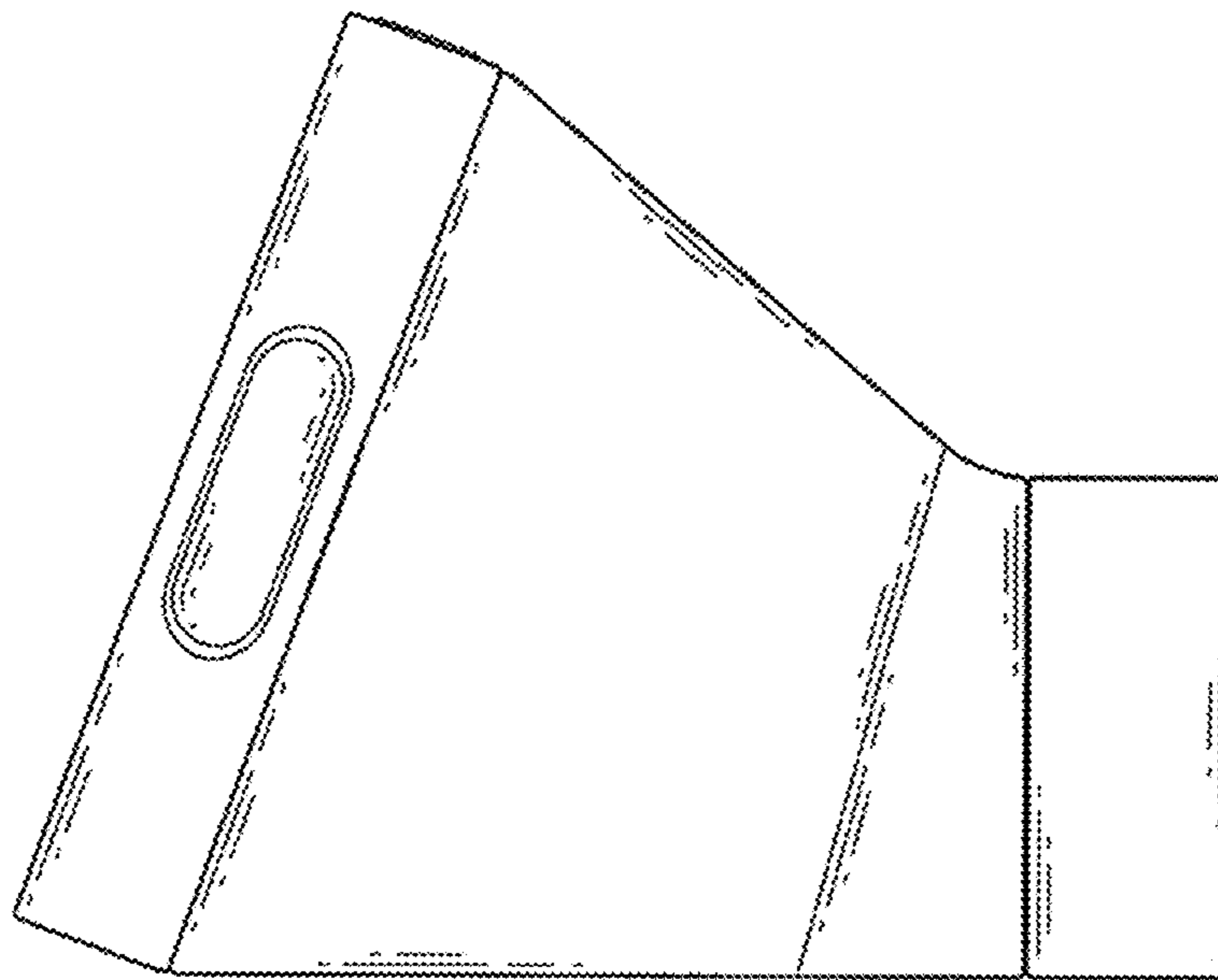


FIG.6

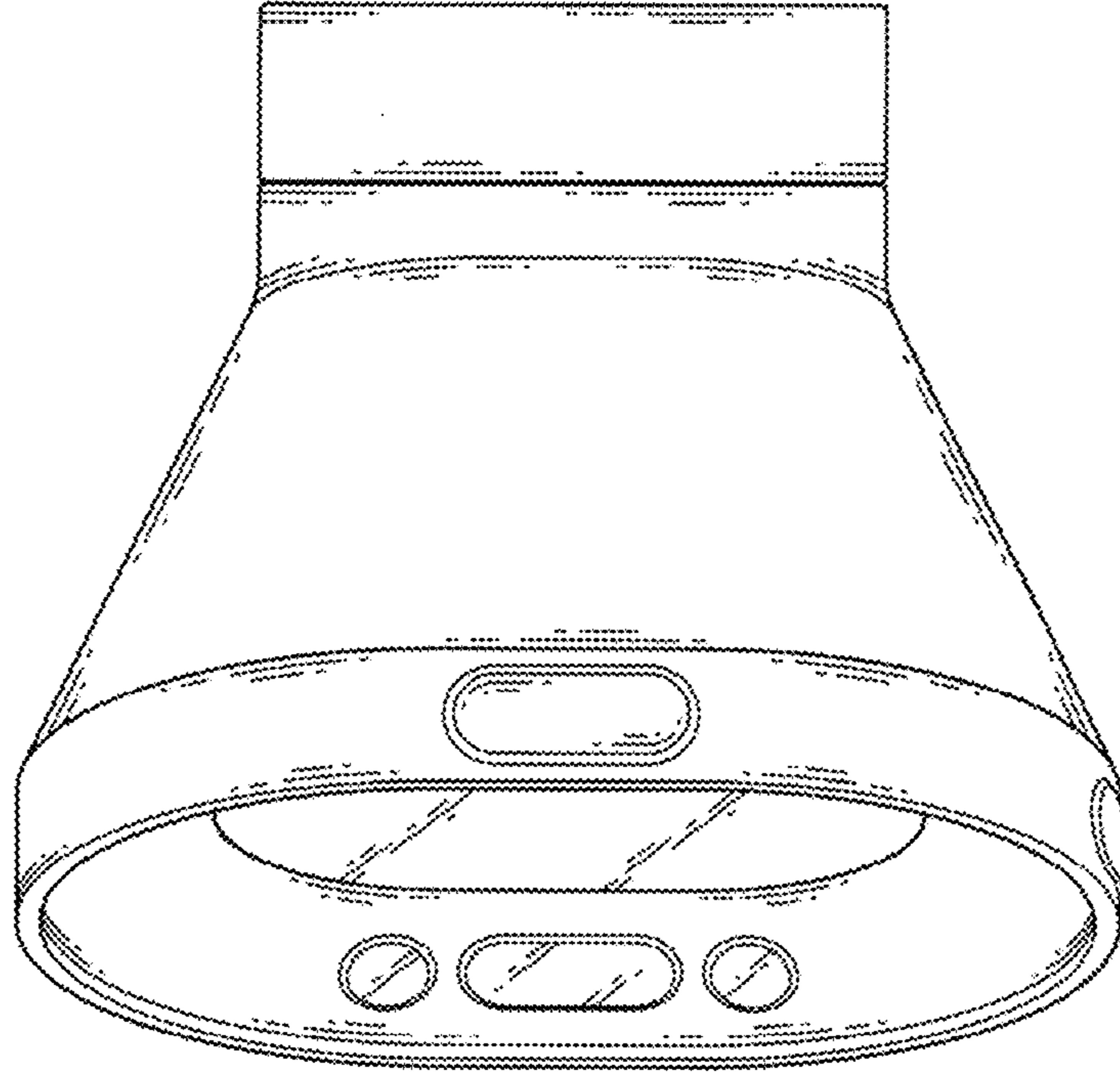


FIG.7

