



US00D780729S

(12) **United States Design Patent**  
**Shin et al.**

(10) **Patent No.:** **US D780,729 S**

(45) **Date of Patent:** **\*\* Mar. 7, 2017**

(54) **GATEWAY TERMINAL**

(71) Applicant: **LG ELECTRONICS INC.**, Seoul  
(KR)

(72) Inventors: **Daekee Shin**, Seoul (KR); **Hophil Lee**,  
Seoul (KR); **Younghwan Lee**, Seoul  
(KR)

(73) Assignee: **LG ELECTRONICS INC.**, Seoul  
(KR)

(\*\*) Term: **15 Years**

(21) Appl. No.: **29/540,312**

(22) Filed: **Sep. 23, 2015**

(30) **Foreign Application Priority Data**

Mar. 27, 2015 (KR) ..... 30-2015-0015842

(51) **LOC (10) Cl.** ..... **14-03**

(52) **U.S. Cl.**  
USPC ..... **D14/242**

(58) **Field of Classification Search**  
USPC .... D14/240, 242, 357, 358, 125, 140-140.9,  
D14/155, 137, 139, 243, 239, 433, 496,  
D14/188, 348, 351, 356  
CPC ..... H04L 12/00; H03K 17/00; H04W 88/00;  
H04W 88/005; H04W 88/02; H04W  
88/08; H04W 88/085; H04W 88/10;  
H04W 88/12; H04W 88/14; H04B 1/38  
See application file for complete search history.

(56) **References Cited**

**U.S. PATENT DOCUMENTS**

D96,018 S \* 6/1935 Cannon ..... D14/251  
D218,119 S \* 7/1970 Thursfield ..... D10/51  
D484,492 S \* 12/2003 Welker ..... D14/216

D540,291 S \* 4/2007 Heath ..... D14/137  
D592,650 S \* 5/2009 Tsang ..... D14/242  
D600,569 S \* 9/2009 Sadler ..... D10/15  
D620,884 S \* 8/2010 Lee ..... D13/108

(Continued)

**FOREIGN PATENT DOCUMENTS**

CN 303579250 \* 2/2016  
CN 303755757 \* 7/2016

(Continued)

**OTHER PUBLICATIONS**

Engadget. <URL: <https://www.engadget.com/2016/01/06/lg-smart-security/>>. Jan. 6, 2016. LG home automation hub.\*

*Primary Examiner* — Bridget L Eland

(74) *Attorney, Agent, or Firm* — Ked & Associates LLP

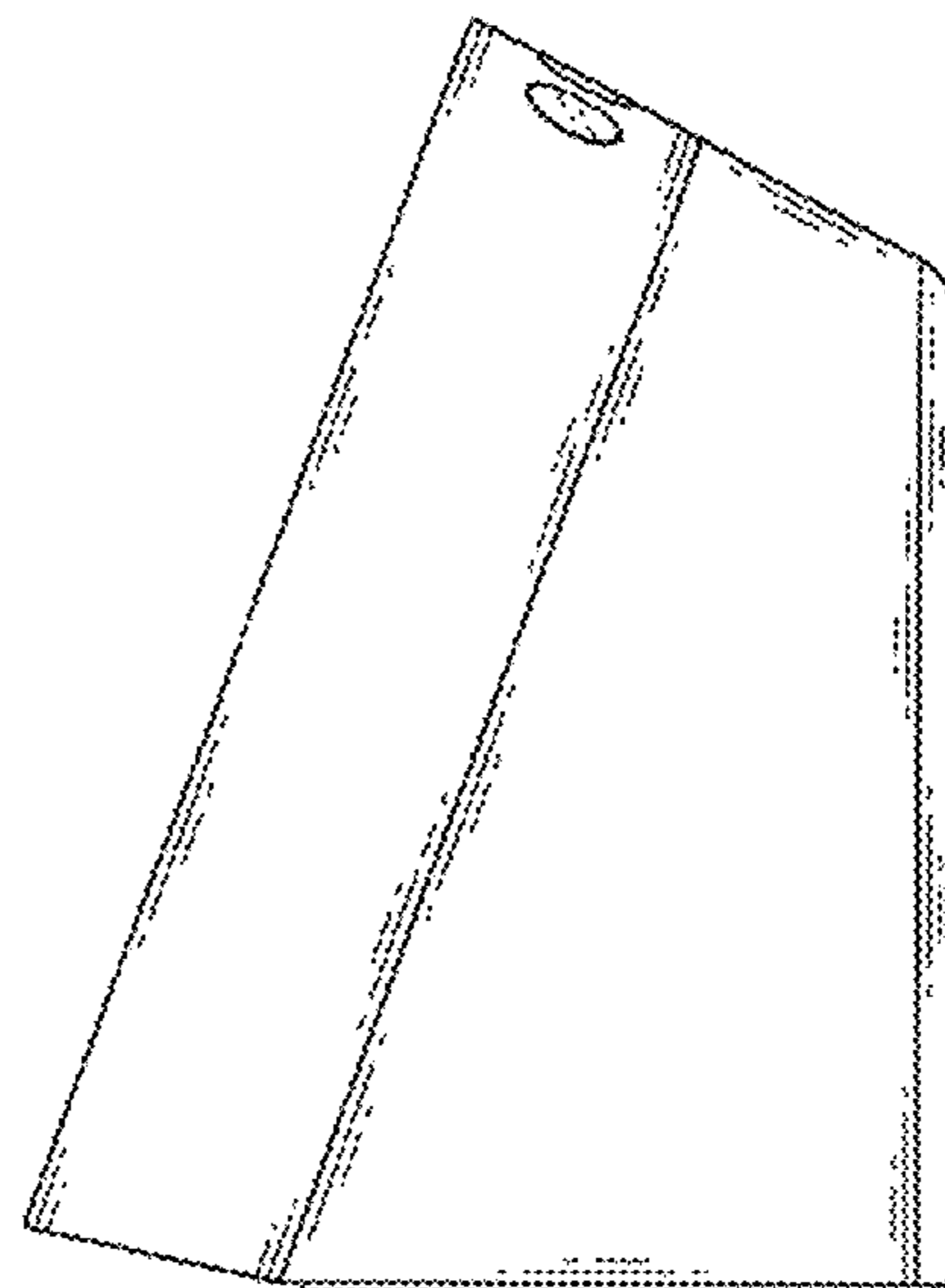
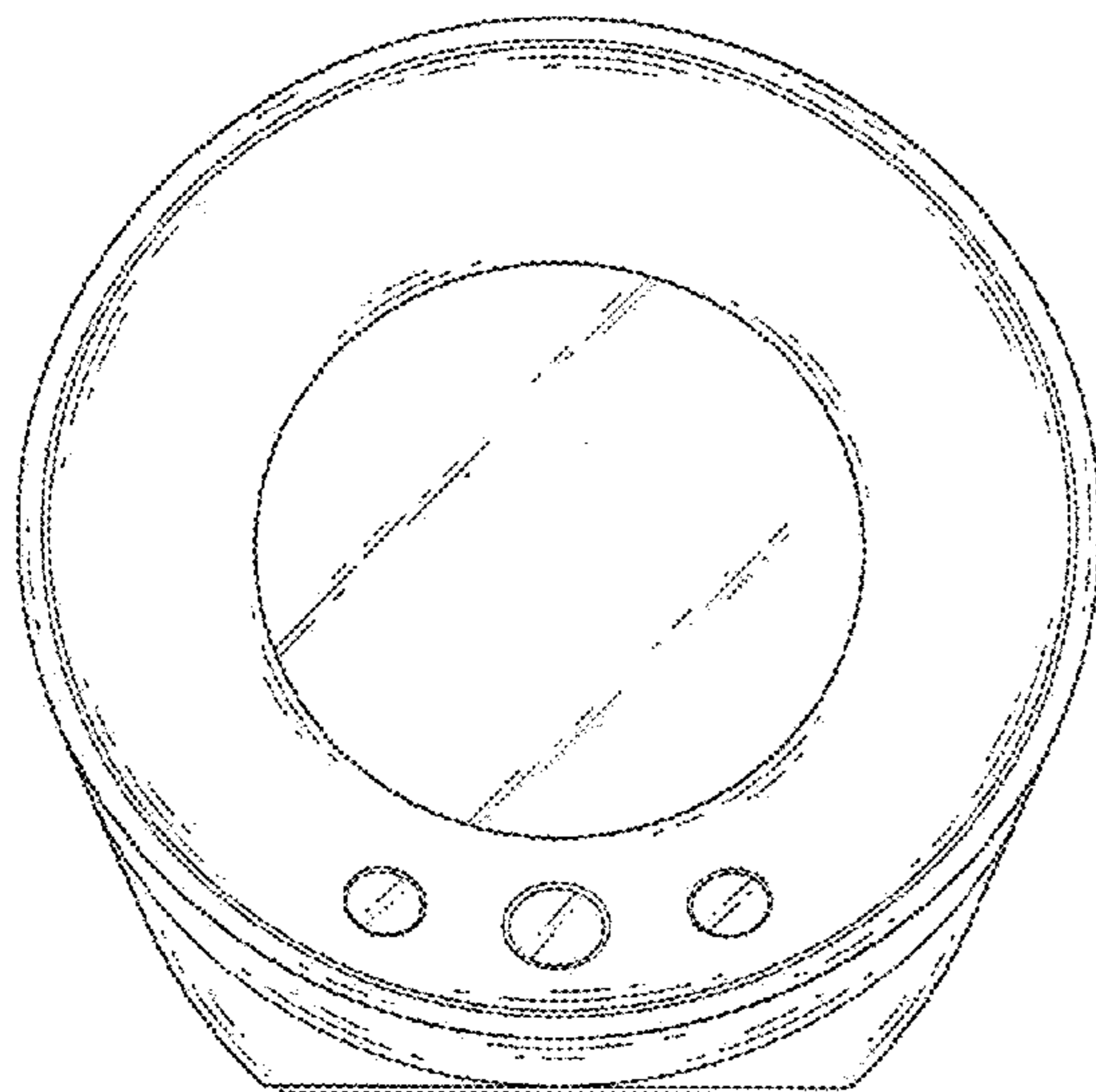
(57) **CLAIM**

We claim the ornamental design for a gateway terminal, as shown and described.

**DESCRIPTION**

FIG. 1 is a perspective view of a gateway terminal showing our new design;  
FIG. 2 is a front elevation view thereof;  
FIG. 3 is a rear elevation view thereof;  
FIG. 4 is a left-side elevation view thereof;  
FIG. 5 is a right-side elevation view thereof;  
FIG. 6 is a top plan view thereof;  
FIG. 7 is a bottom plan view thereof; and,  
FIG. 8 is another perspective view in an alternate position. The bottom-most broken line immediately adjacent the claim, in FIGS. 2, 3, 4, 5, and 7 represents the bounds of the claimed design while the broken line in the FIG. 3 view is directed to environment and is for illustrative purposes only; the broken lines form no part of the claimed design.

**1 Claim, 5 Drawing Sheets**



(56)

**References Cited**

U.S. PATENT DOCUMENTS

D651,561 S	*	1/2012	Petrie .....	D13/107
D666,575 S	*	9/2012	Marsh .....	D14/159
D697,027 S	*	1/2014	Ho .....	D13/108
D720,752 S	*	1/2015	Bleads .....	D14/420
D722,032 S	*	2/2015	Chou .....	D14/125
D722,594 S	*	2/2015	Won .....	D14/216

FOREIGN PATENT DOCUMENTS

KR	300820650.0000	*	10/2015
WO	D087429-001	*	3/2016

\* cited by examiner

FIG. 1

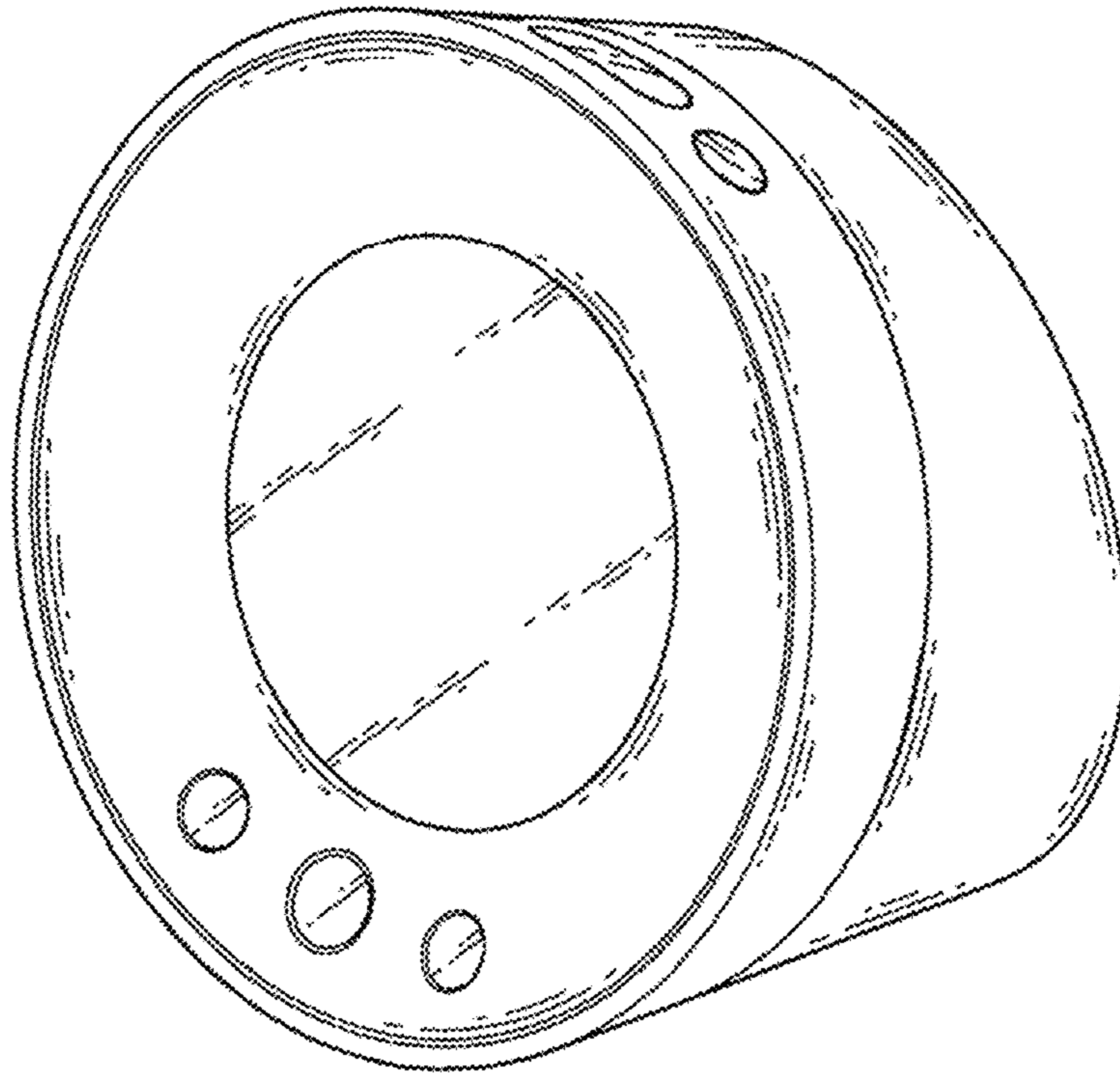


FIG.2

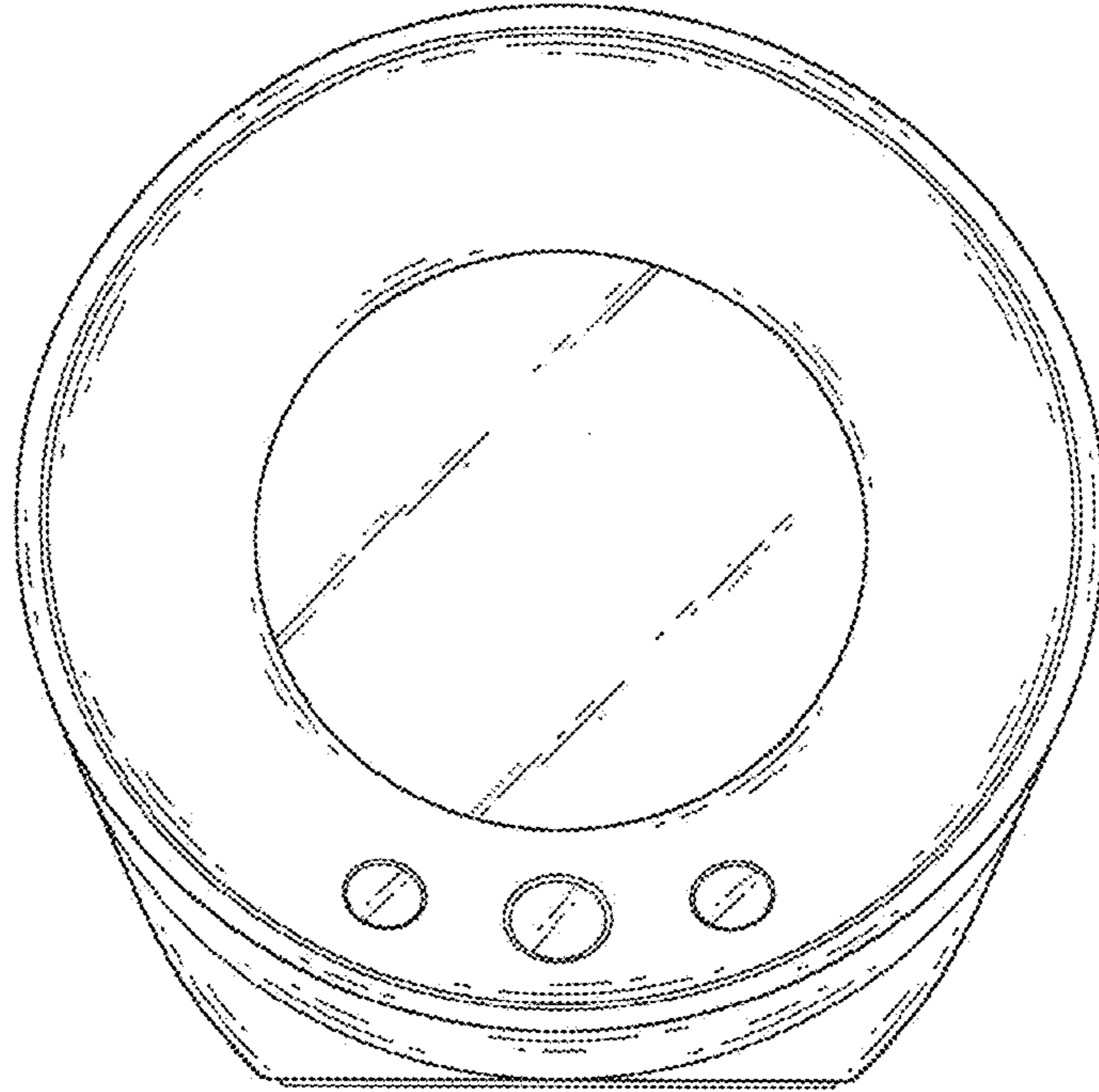


FIG.3

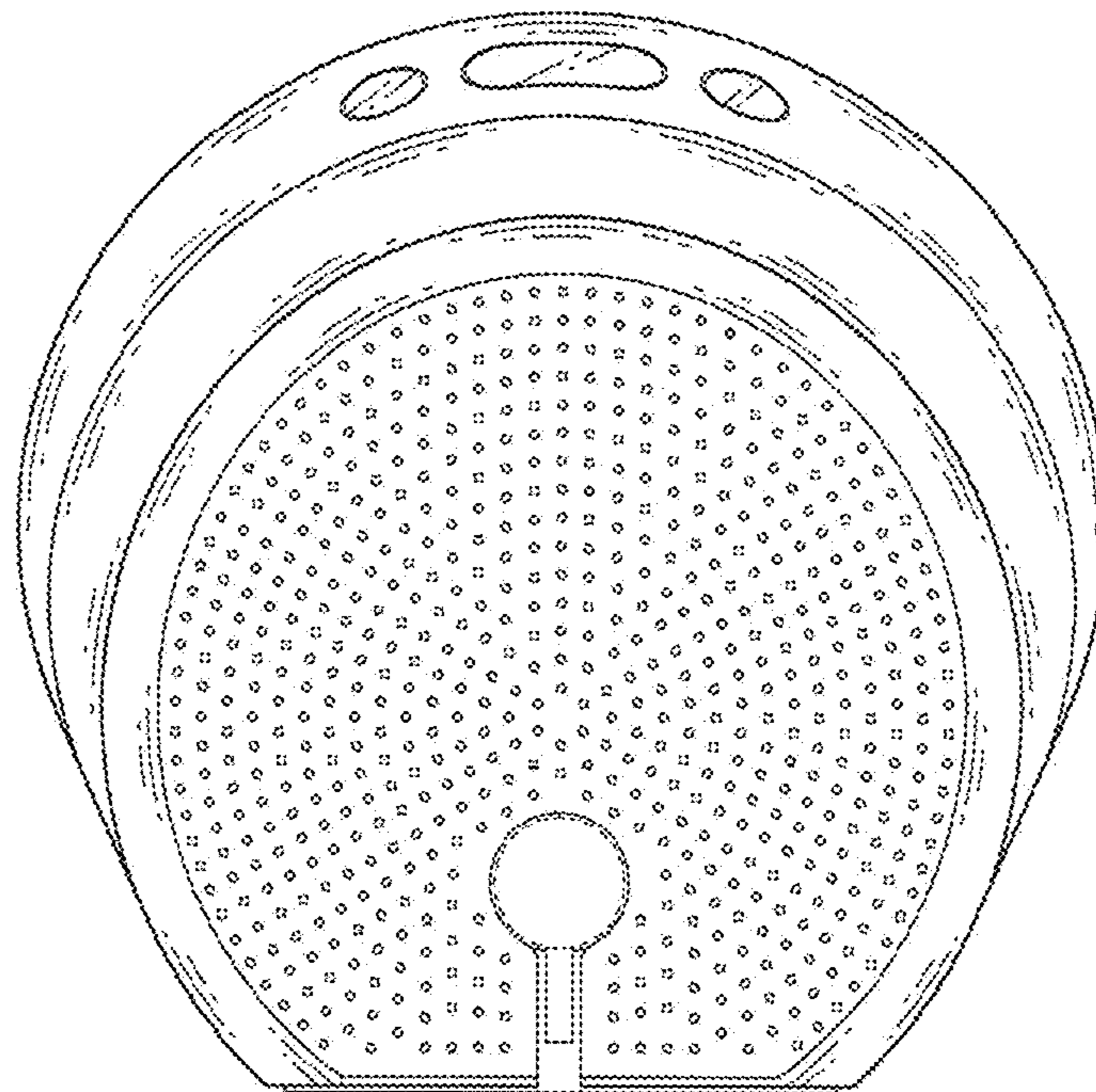


FIG. 4

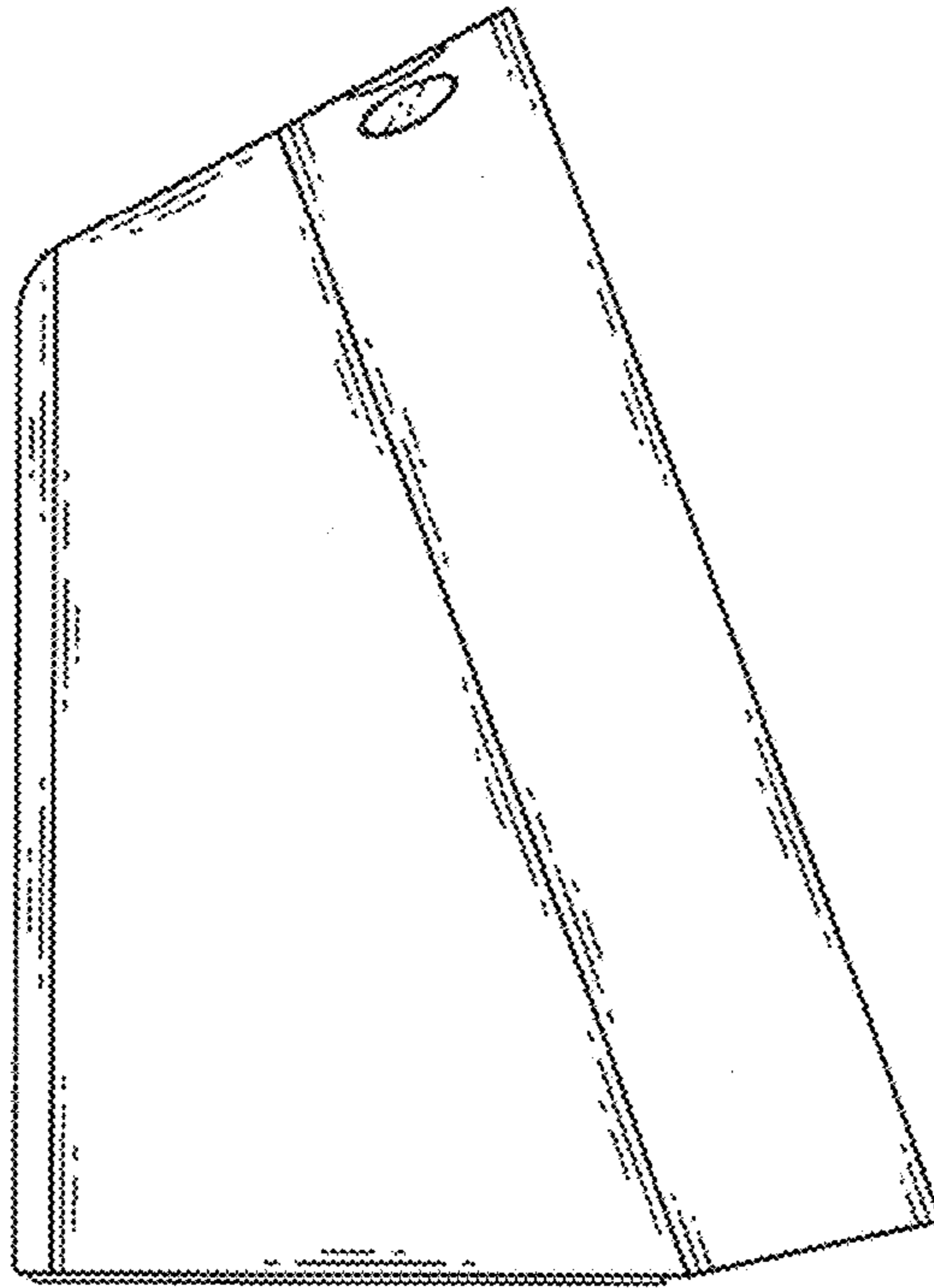


FIG. 5

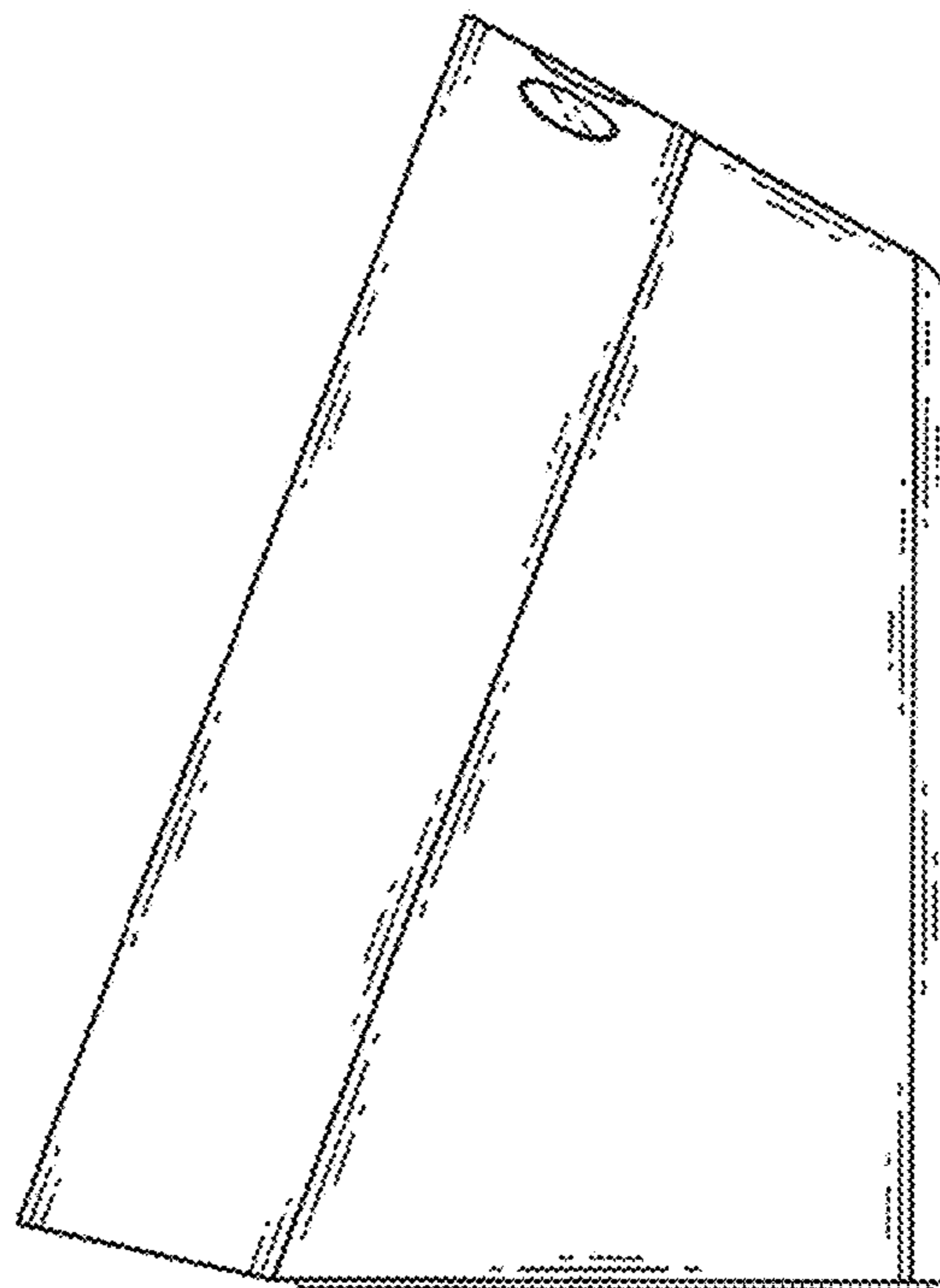


FIG. 6

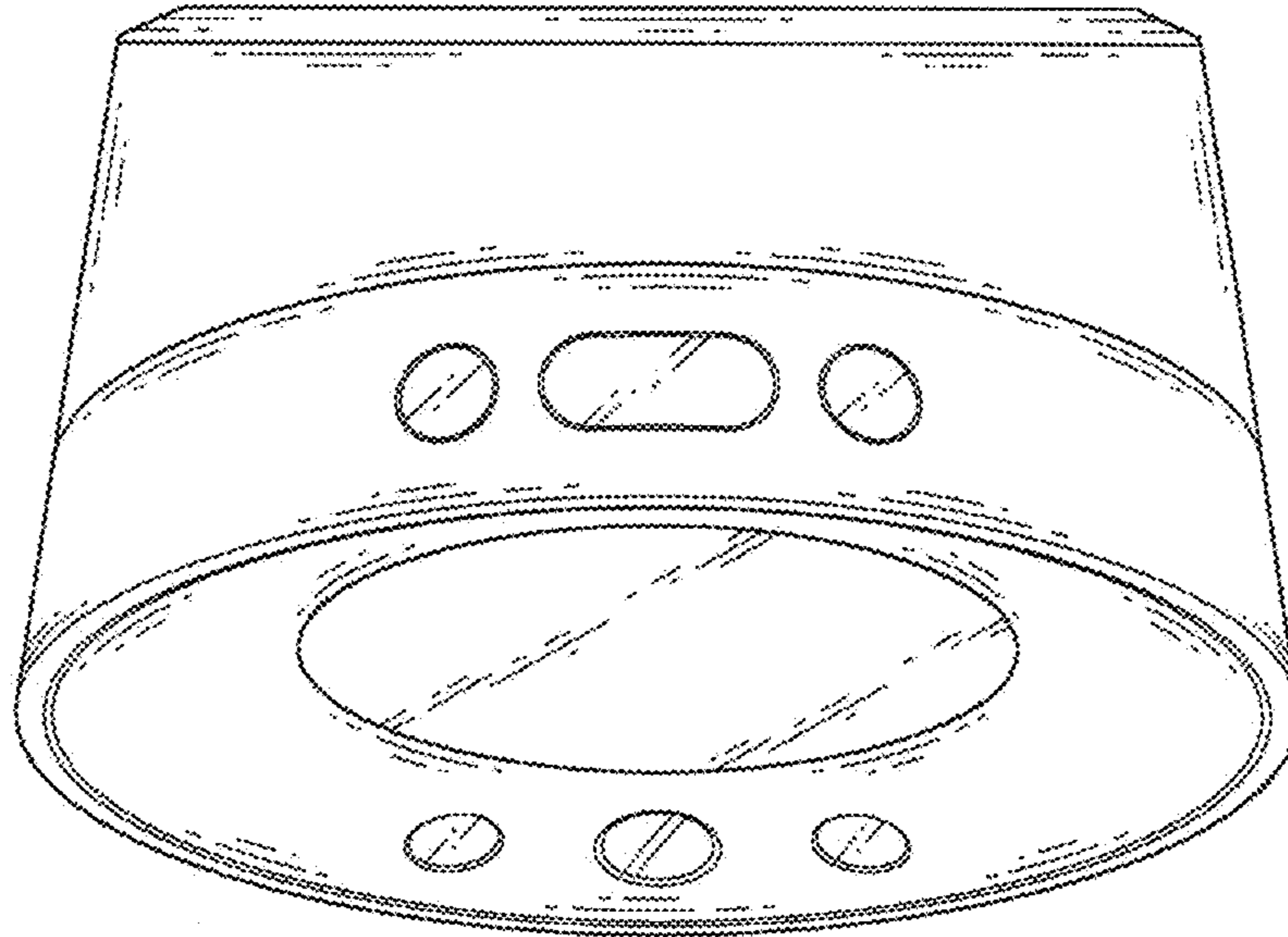


FIG. 7

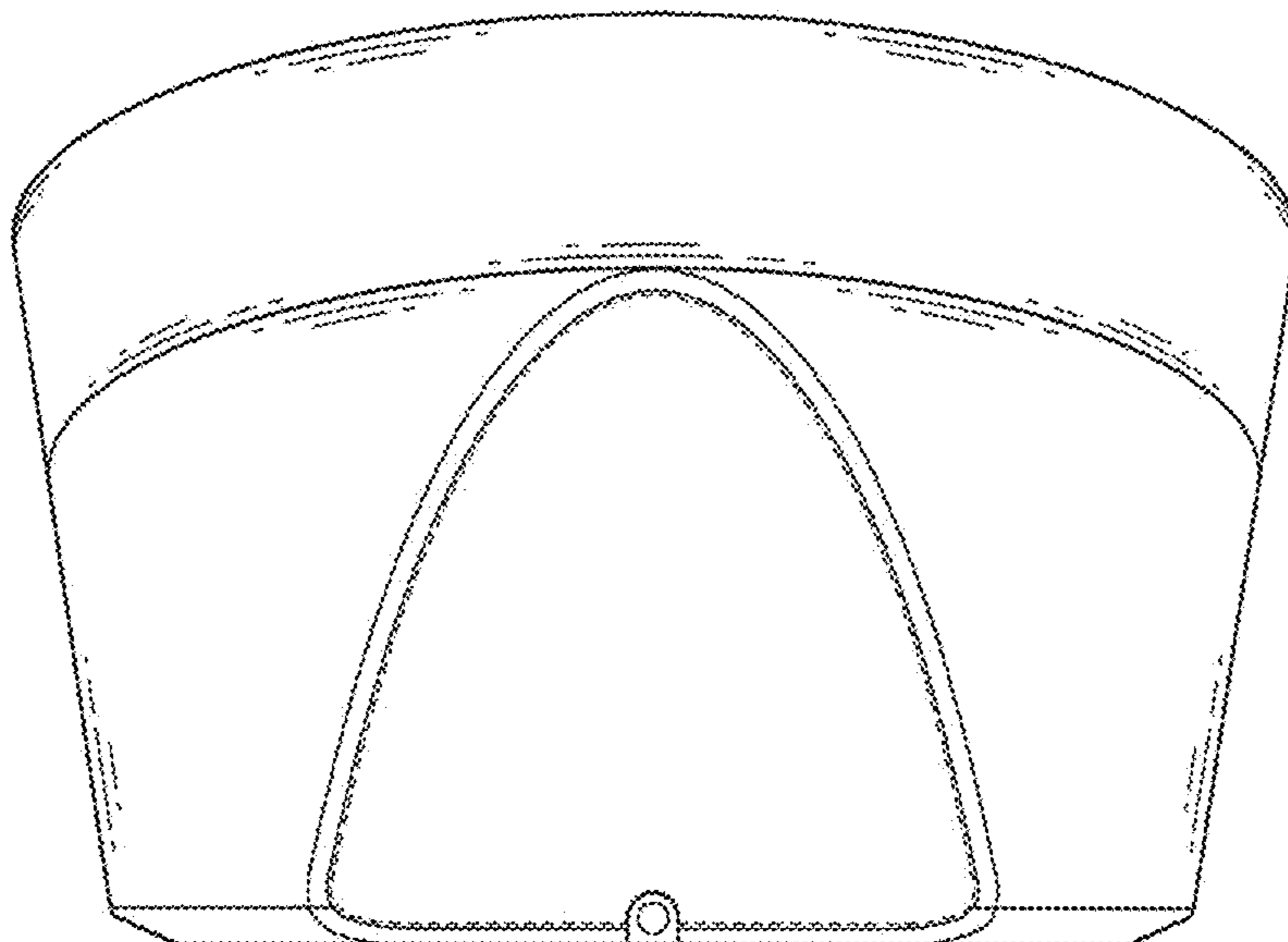


FIG.8

