



US00D780727S

(12) **United States Design Patent**
Wang

(10) **Patent No.:** **US D780,727 S**

(45) **Date of Patent:** **** Mar. 7, 2017**

- (54) **WIRELESS ADAPTER**
- (71) Applicant: **Howard Wang**, Hacienda Heights, CA (US)
- (72) Inventor: **Howard Wang**, Hacienda Heights, CA (US)
- (**) Term: **15 Years**
- (21) Appl. No.: **29/547,577**
- (22) Filed: **Dec. 4, 2015**
- (51) **LOC (10) Cl.** **14-03**
- (52) **U.S. Cl.**
USPC **D14/240; D14/223**
- (58) **Field of Classification Search**
USPC ... D14/205, 206, 217, 223, 188, 240, 224.1, D14/149, 155, 432, 433, 341, 356, 358; D13/133; 379/430, 431, 420.01–420.04; 381/74, 374, 315; 455/569.1
CPC H04R 25/00; H04R 1/10; H04R 1/1058; H04R 1/1041; H04R 3/00; H04R 1/1033; H04R 1/1016; H04R 1/1008; H04M 1/02; H04M 1/03
See application file for complete search history.

(56) **References Cited**

U.S. PATENT DOCUMENTS

- 2,754,365 A * 7/1956 Walters H04R 1/225 181/132
- 4,691,116 A * 9/1987 Kiyono B60R 16/0239 200/5 A
- D295,173 S * 4/1988 Oren D14/168
- D314,964 S * 2/1991 Chung D14/188
- D316,550 S * 4/1991 Sogabe D14/168
- 5,019,767 A * 5/1991 Shirai H01M 2/105 224/902
- D375,483 S * 11/1996 Tashiro D13/110

- 5,652,587 A * 7/1997 Liu G07C 9/00944 341/176
- D391,943 S * 3/1998 Han D14/356
- 5,793,352 A * 8/1998 Greenberg G09G 5/006 345/699
- 5,832,098 A * 11/1998 Chen H04M 1/05 381/370
- 6,122,369 A * 9/2000 Hwang H04M 1/6058 379/420.03
- D433,672 S * 11/2000 Kobayashi D14/509
- D433,994 S * 11/2000 Jobs D13/110
- 6,233,167 B1 * 5/2001 Chen H01R 13/6675 363/146
- D451,493 S * 12/2001 Ng D14/189
- D460,443 S * 7/2002 Brunner D14/240
- D469,770 S * 2/2003 Carpenter D13/147
- D470,833 S * 2/2003 Rath D14/205
- D475,996 S * 6/2003 Skulley D14/223
- D484,467 S * 12/2003 de Leon D13/168
- D486,478 S * 2/2004 Swan D14/223
- D494,633 S * 8/2004 Nussberger D21/324
- D511,157 S * 11/2005 Johnson D14/223
- D568,304 S * 5/2008 Park D14/240
- D572,230 S * 7/2008 Neu D14/155

(Continued)

Primary Examiner — Paula Greene

(74) *Attorney, Agent, or Firm* — Clement Cheng

(57) **CLAIM**

The ornamental design for wireless adapter, as shown and described.

DESCRIPTION

FIG. 1 is a perspective view.

FIG. 2 is a side view.

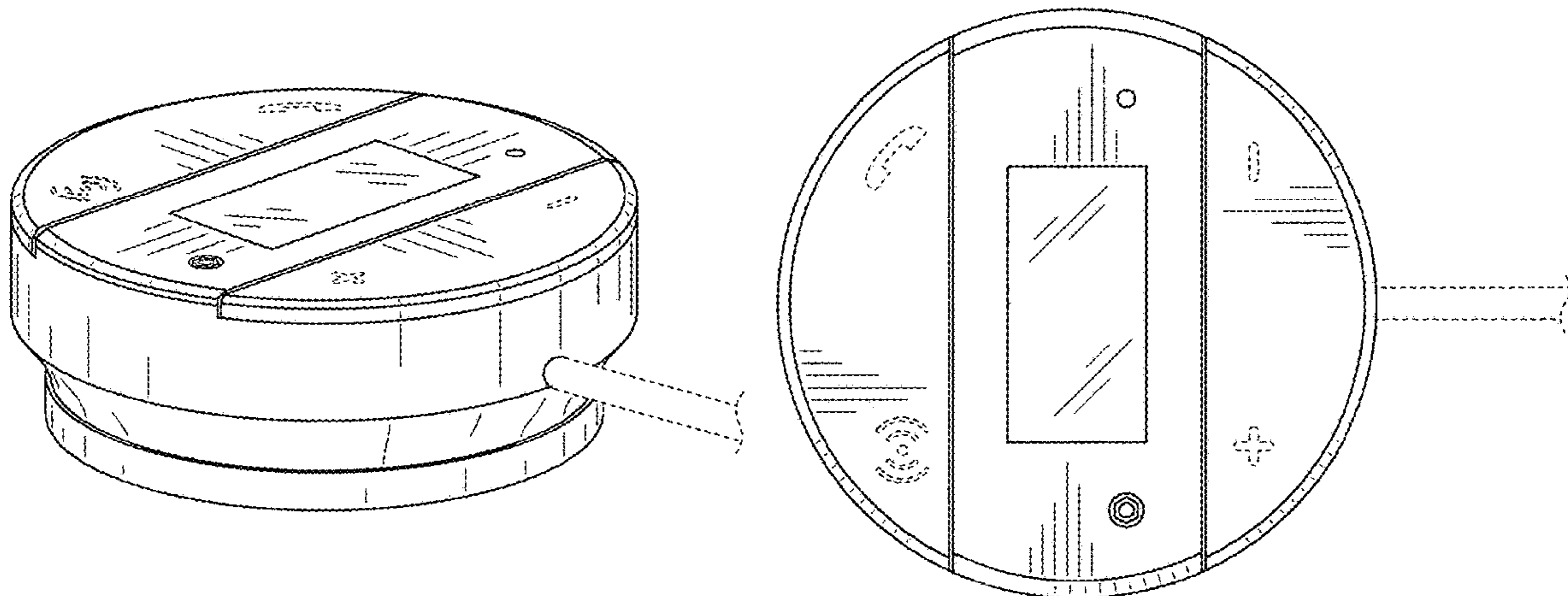
FIG. 3 is a front view.

FIG. 4 is a top view; and,

FIG. 5 is a bottom view.

The dotted line in the drawing forms no part of the claimed invention.

1 Claim, 2 Drawing Sheets



(56)

References Cited

U.S. PATENT DOCUMENTS

D579,871 S *	11/2008	Hsiau	D13/133
D586,793 S *	2/2009	Lee	D14/240
D600,237 S *	9/2009	Kwon	D14/137
8,073,181 B2 *	12/2011	Bakalos	H04R 3/04 381/103
D674,786 S *	1/2013	Park	D14/240
D753,091 S *	4/2016	Miyake	D14/205
2015/0023518 A1 *	1/2015	Mizrahi	H04B 1/034 381/74

* cited by examiner

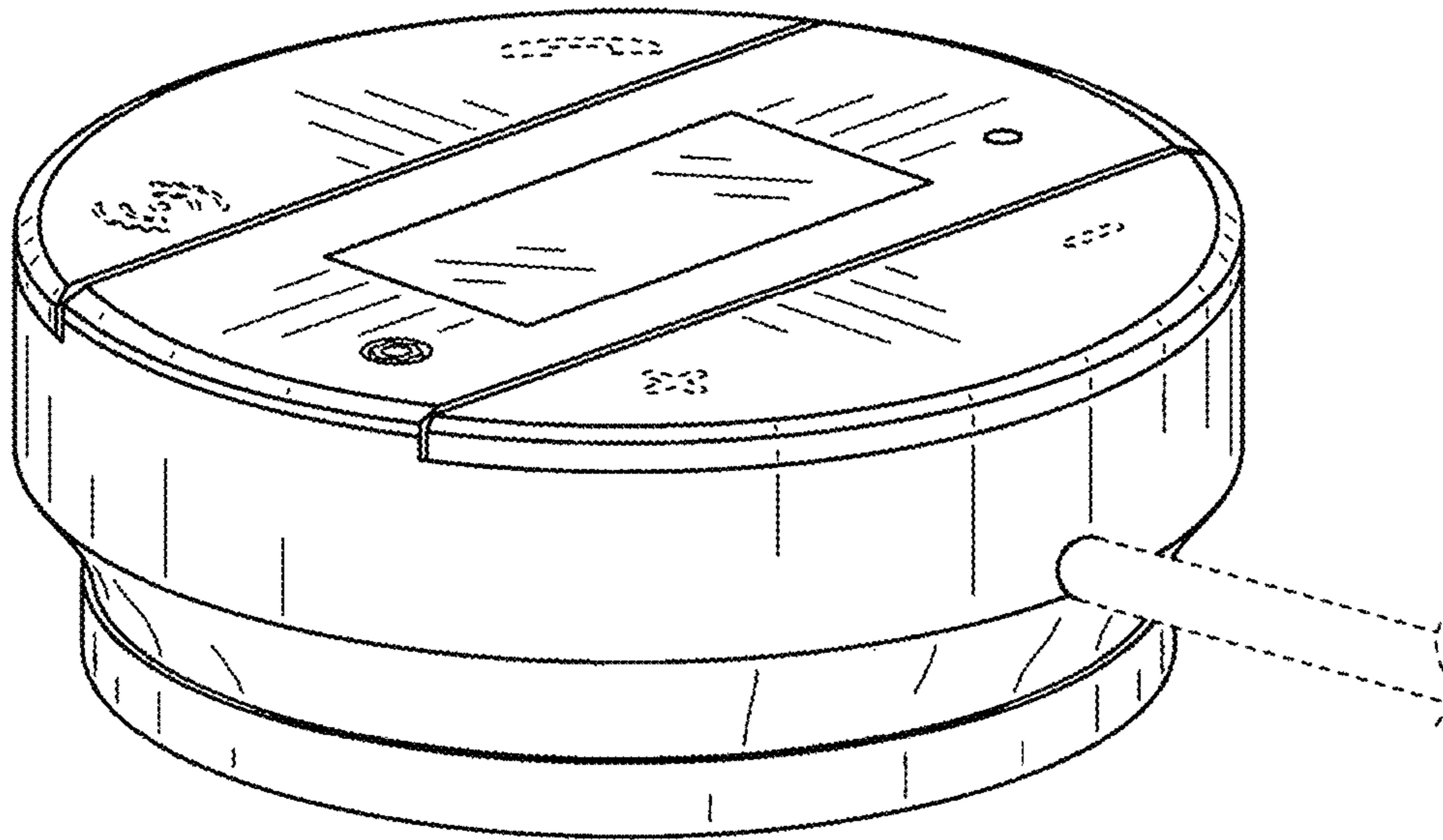


FIG. 1

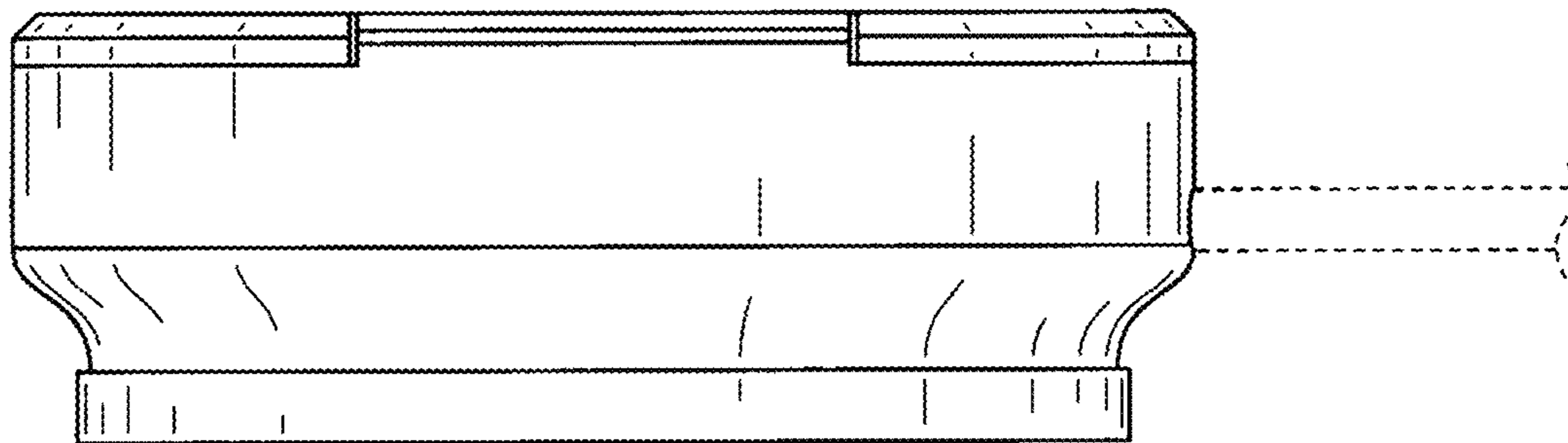


FIG. 2

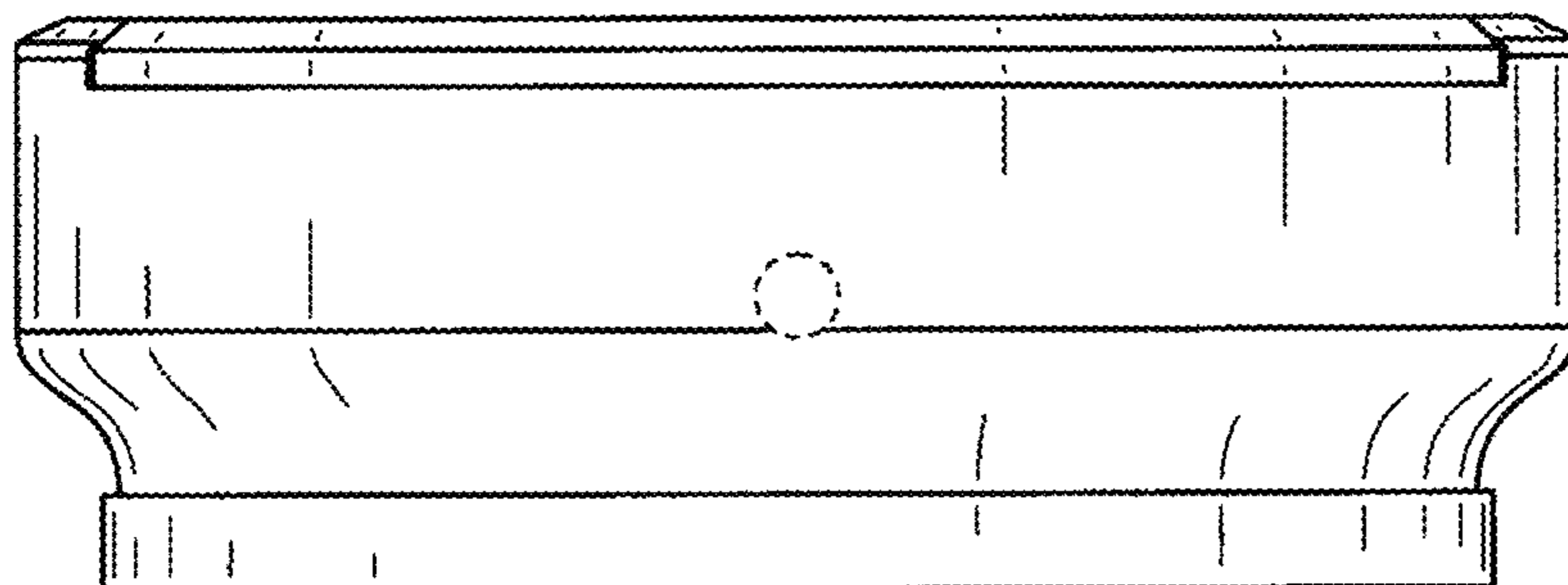


FIG. 3

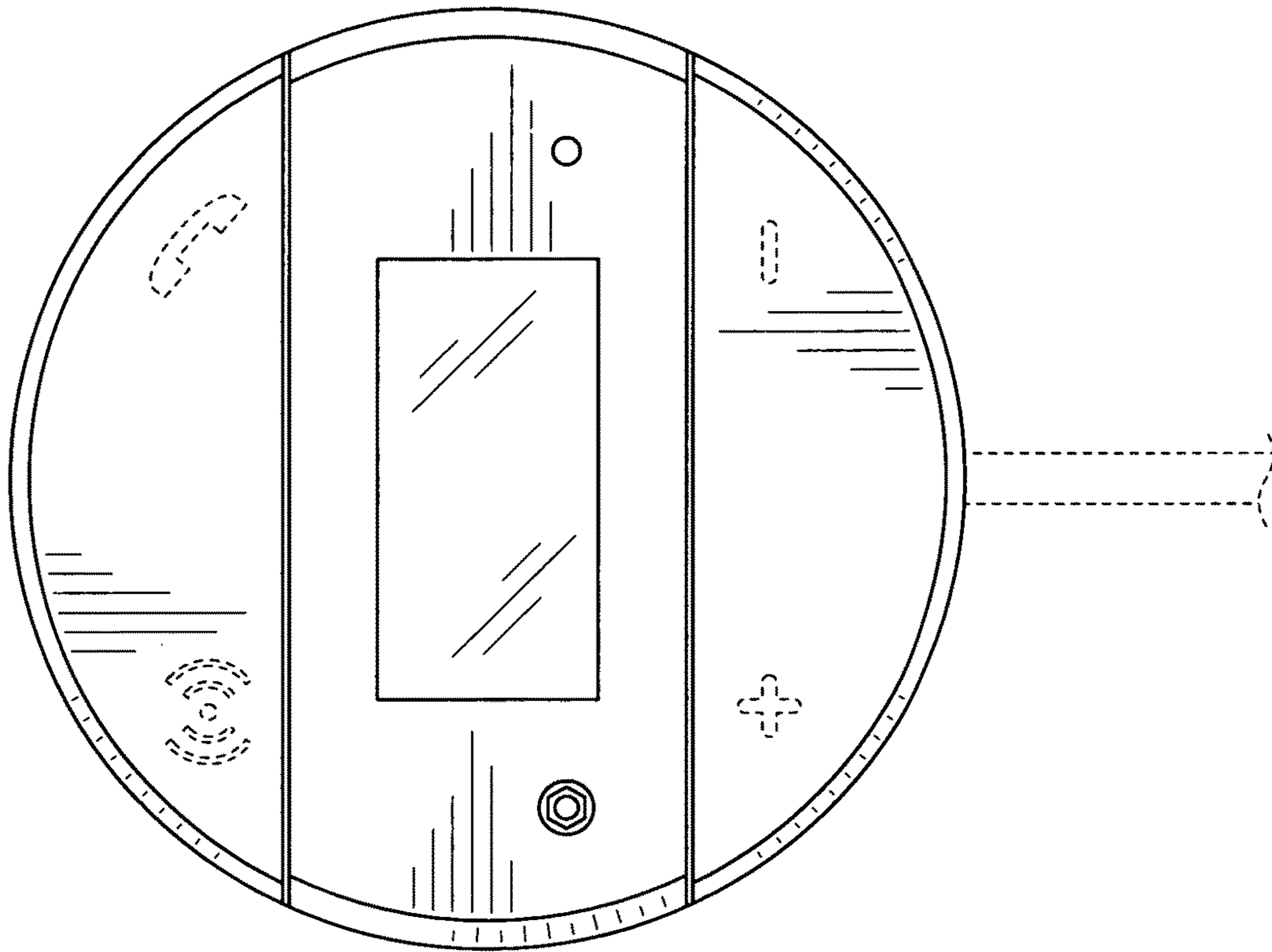


FIG. 4

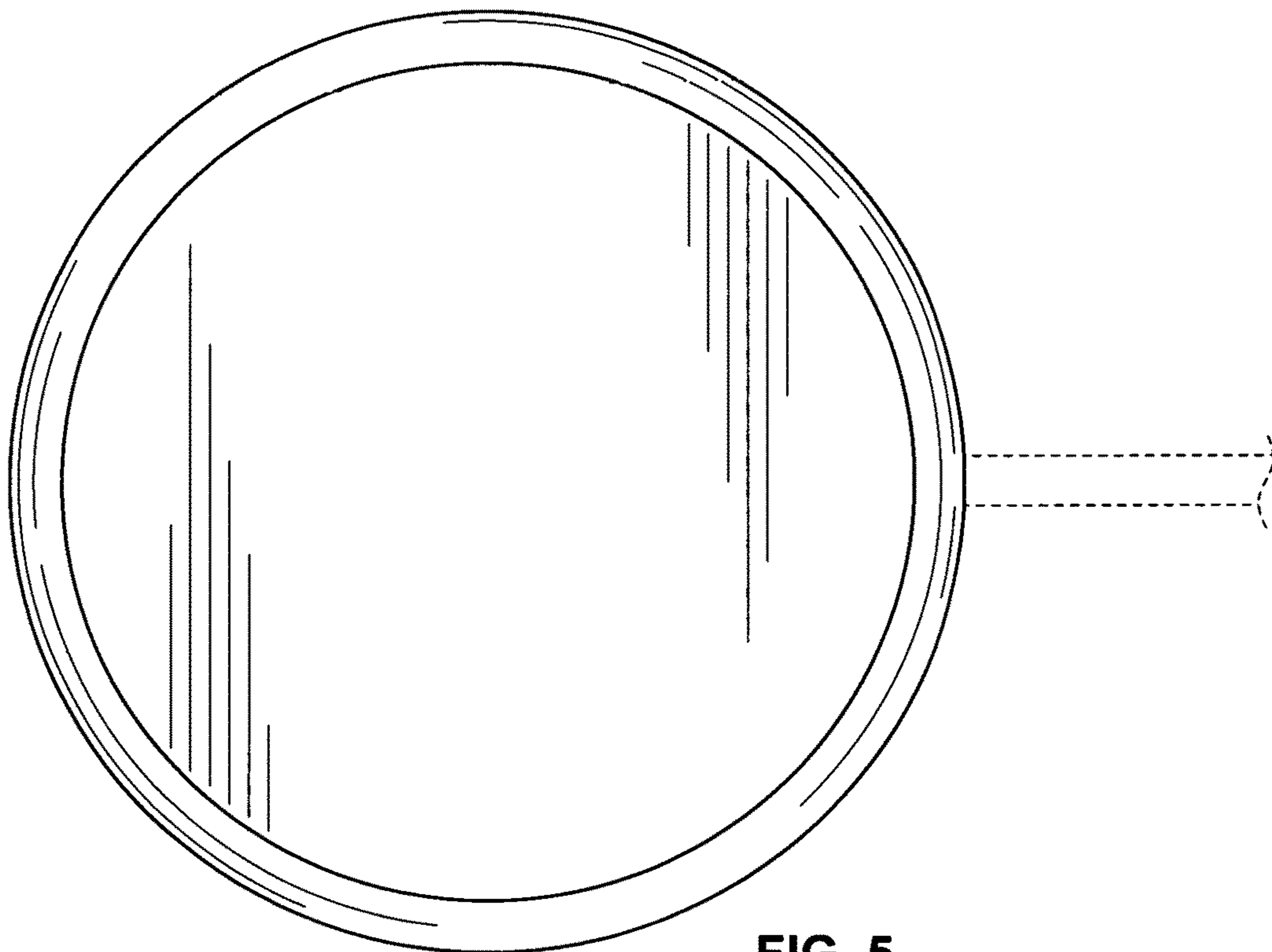


FIG. 5