



US00D780726S

(12) **United States Design Patent**  
**Wang**

(10) **Patent No.:** **US D780,726 S**

(45) **Date of Patent:** **\*\* Mar. 7, 2017**

- (54) **WIRELESS ADAPTER**
- (71) Applicant: **Howard Wang**, Hacienda Heights, CA (US)
- (72) Inventor: **Howard Wang**, Hacienda Heights, CA (US)
- (\*\*) Term: **15 Years**
- (21) Appl. No.: **29/547,565**
- (22) Filed: **Dec. 4, 2015**
- (51) **LOC (10) Cl.** ..... **14-03**
- (52) **U.S. Cl.**  
USPC ..... **D14/240**; D14/223
- (58) **Field of Classification Search**  
USPC ... D14/205, 217, 223, 240, 224.1, 149, 155, D14/432, 433, 341, 356, 358; D13/133; 379/430, 431, 420.04; 381/374, 74, 315; 455/569.1  
CPC ..... H04R 25/00; H04R 1/10; H04R 1/1058; H04R 1/1041; H04R 3/00; H04R 1/1033; H04R 1/1016; H04R 1/1008  
See application file for complete search history.

- 6,233,167 B1 \* 5/2001 Chen ..... H01R 13/6675 363/146
- D444,454 S \* 7/2001 Hanna ..... D14/138 R
- D446,511 S \* 8/2001 Kanno ..... D14/167
- 6,397,087 B1 \* 5/2002 Kim ..... H04B 1/3877 381/110
- 6,438,248 B1 \* 8/2002 Kamimura ..... H04M 1/05 381/374
- D473,217 S \* 4/2003 Rivera ..... D14/223
- D478,576 S \* 8/2003 Leong ..... D14/223
- D479,222 S \* 9/2003 Lu ..... D14/192
- 6,625,469 B1 \* 9/2003 Hwang ..... H04B 1/385 379/433.01
- D484,853 S \* 1/2004 Alviar ..... D13/110
- D486,478 S \* 2/2004 Swan ..... D14/223
- D486,819 S \* 2/2004 Wilson ..... D14/240
- D494,157 S \* 8/2004 Wikel ..... D14/240
- D496,031 S \* 9/2004 Ma ..... D10/104.1
- D496,653 S \* 9/2004 Townsend ..... D14/240
- 6,836,676 B2 \* 12/2004 Lloyd ..... H04M 1/6041 379/420.01
- D500,484 S \* 1/2005 Deguchi ..... D14/480.1

(Continued)

*Primary Examiner* — Paula Greene  
(74) *Attorney, Agent, or Firm* — Clement Cheng

(57) **CLAIM**

The ornamental design for wireless adapter, as shown and described.

(56) **References Cited**

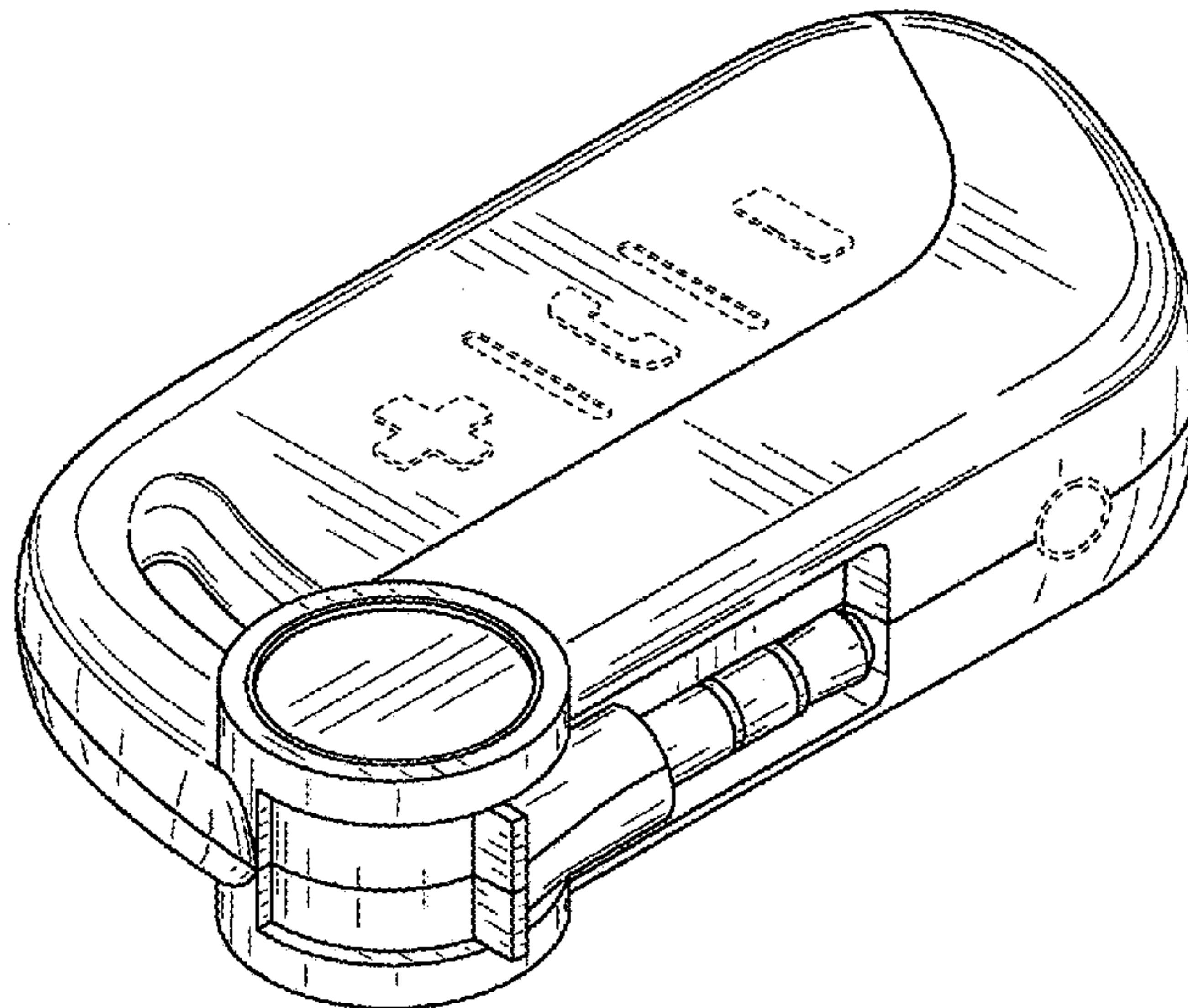
U.S. PATENT DOCUMENTS

- 5,180,317 A \* 1/1993 Franks, Jr. .... H01R 24/58 439/669
- D355,895 S \* 2/1995 Soren ..... D14/218
- D371,133 S \* 6/1996 Andrea ..... D14/206
- 5,613,222 A \* 3/1997 Guenther ..... B60R 11/0247 379/430
- 5,642,402 A \* 6/1997 Vilmi ..... H04B 1/3877 379/420.02
- D411,175 S \* 6/1999 Doren ..... D13/133
- 6,122,369 A \* 9/2000 Hwang ..... H04M 1/6058 379/420.03

**DESCRIPTION**

FIG. 1 is a perspective view.  
FIG. 2 is a top face view.  
FIG. 3 is a bottom face view.  
FIG. 4 is bottom view.  
FIG. 5 is a top view.  
FIG. 6 is a right side view; and,  
FIG. 7 is a left side view.  
The dotted line in the drawing forms no part of the claimed invention.

**1 Claim, 3 Drawing Sheets**



(56)

References Cited

U.S. PATENT DOCUMENTS

D511,157 S \* 11/2005 Johnson ..... D14/223  
 D512,711 S \* 12/2005 Skulley ..... D14/223  
 D515,545 S \* 2/2006 Griffin ..... D14/155  
 D520,991 S \* 5/2006 Ma ..... D14/240  
 D530,342 S \* 10/2006 Lee ..... D14/480.3  
 D531,991 S \* 11/2006 Chau ..... D14/217  
 7,139,590 B2 \* 11/2006 Liu ..... H04M 1/6058  
 455/556.1  
 D534,896 S \* 1/2007 Lin ..... D14/188  
 D558,735 S \* 1/2008 Carr ..... D14/206  
 D558,740 S \* 1/2008 Jaakkola ..... D14/223  
 D567,216 S \* 4/2008 Densho ..... D14/205  
 D569,841 S \* 5/2008 Chung ..... D14/205  
 D600,237 S \* 9/2009 Kwon ..... D14/137  
 7,720,234 B1 \* 5/2010 Winslow ..... H04M 1/6066  
 379/430  
 D619,127 S \* 7/2010 Tong ..... D13/133  
 D626,112 S \* 10/2010 Kao ..... D14/205  
 D638,409 S \* 5/2011 Walter ..... D14/223  
 D648,315 S \* 11/2011 Kao ..... D14/205  
 D655,277 S \* 3/2012 Wai ..... D14/223  
 D716,274 S \* 10/2014 Henning ..... D14/223  
 D725,627 S \* 3/2015 Kalhok ..... D14/205  
 D753,091 S \* 4/2016 Miyake ..... D14/205  
 D754,067 S \* 4/2016 Kovacs ..... D13/133  
 D770,455 S \* 11/2016 Lee ..... D14/155  
 2007/0243723 A1 \* 10/2007 Liao ..... H04B 1/034  
 439/1  
 2008/0032737 A1 \* 2/2008 Liu ..... H04M 1/72522  
 455/556.1  
 2016/0050482 A1 \* 2/2016 Chaabani ..... H04R 1/1041  
 381/74

\* cited by examiner

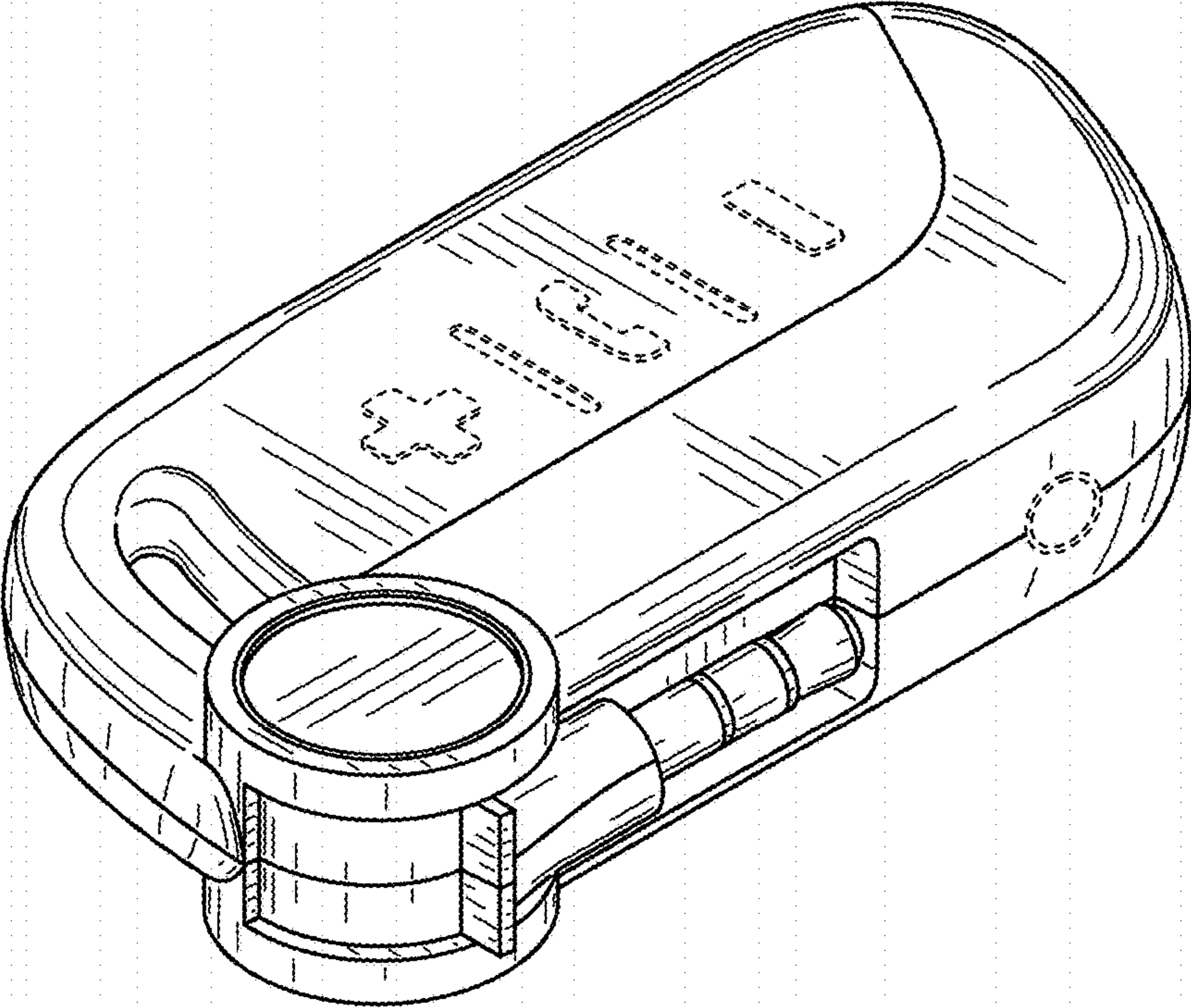


FIG. 1



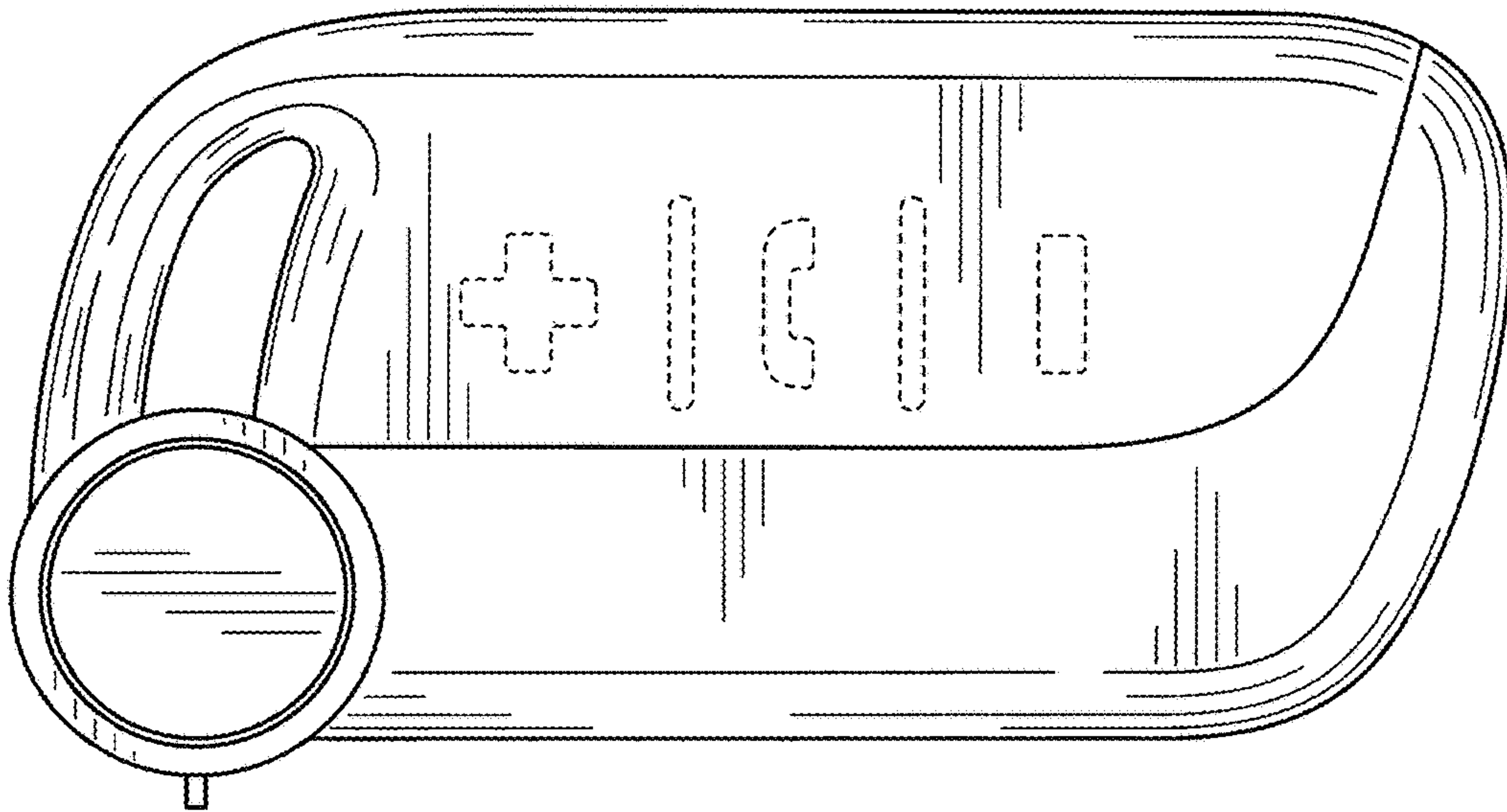


FIG. 2

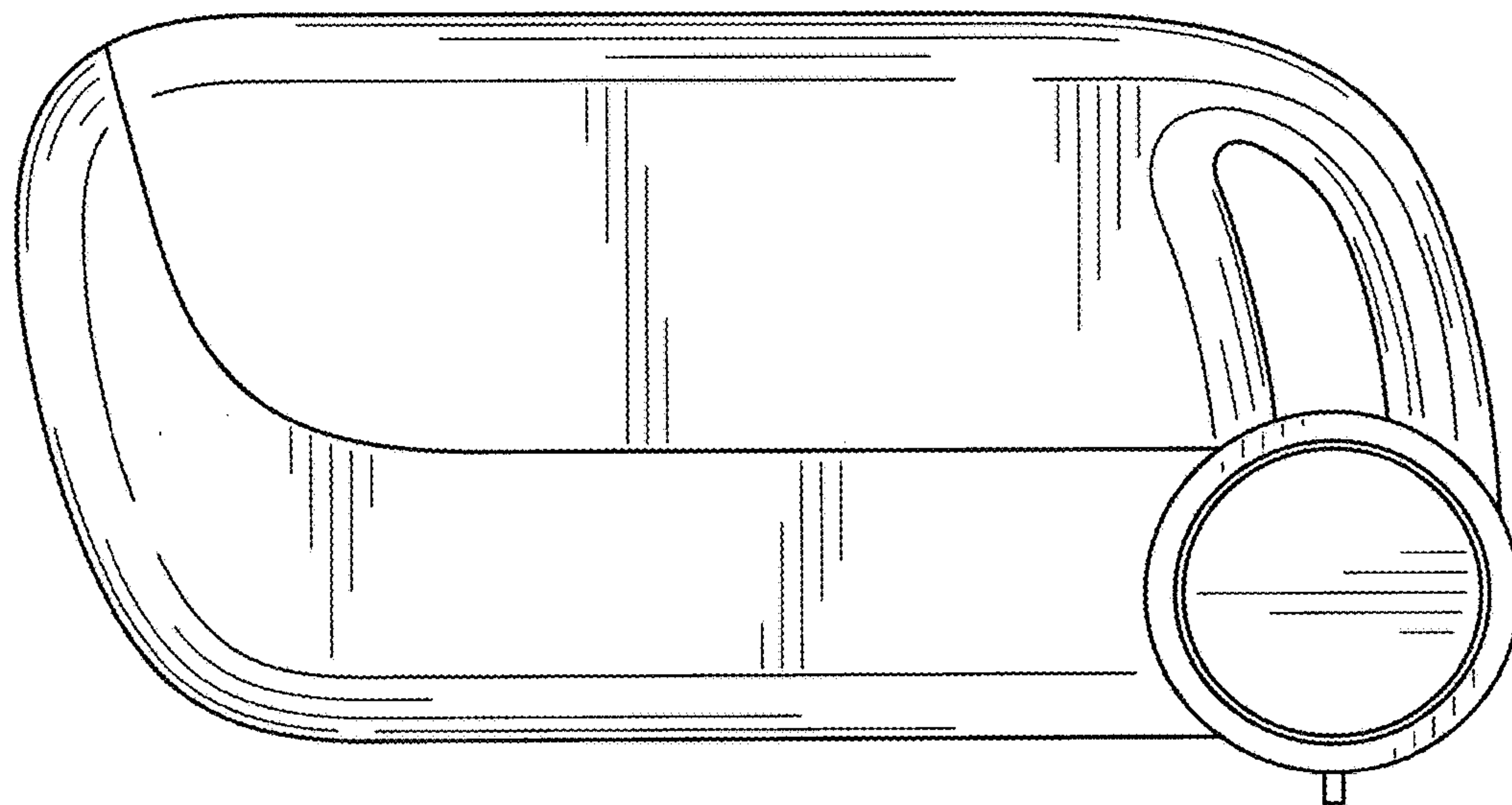


FIG. 3

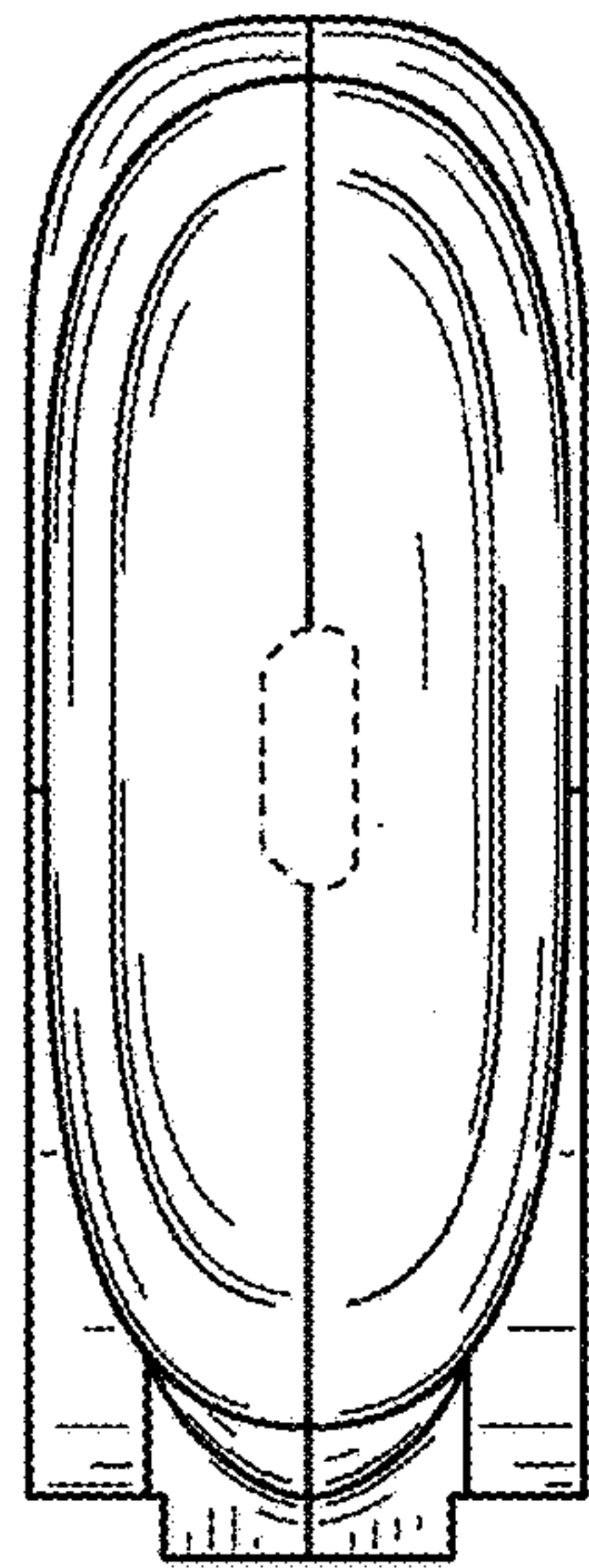


FIG. 4

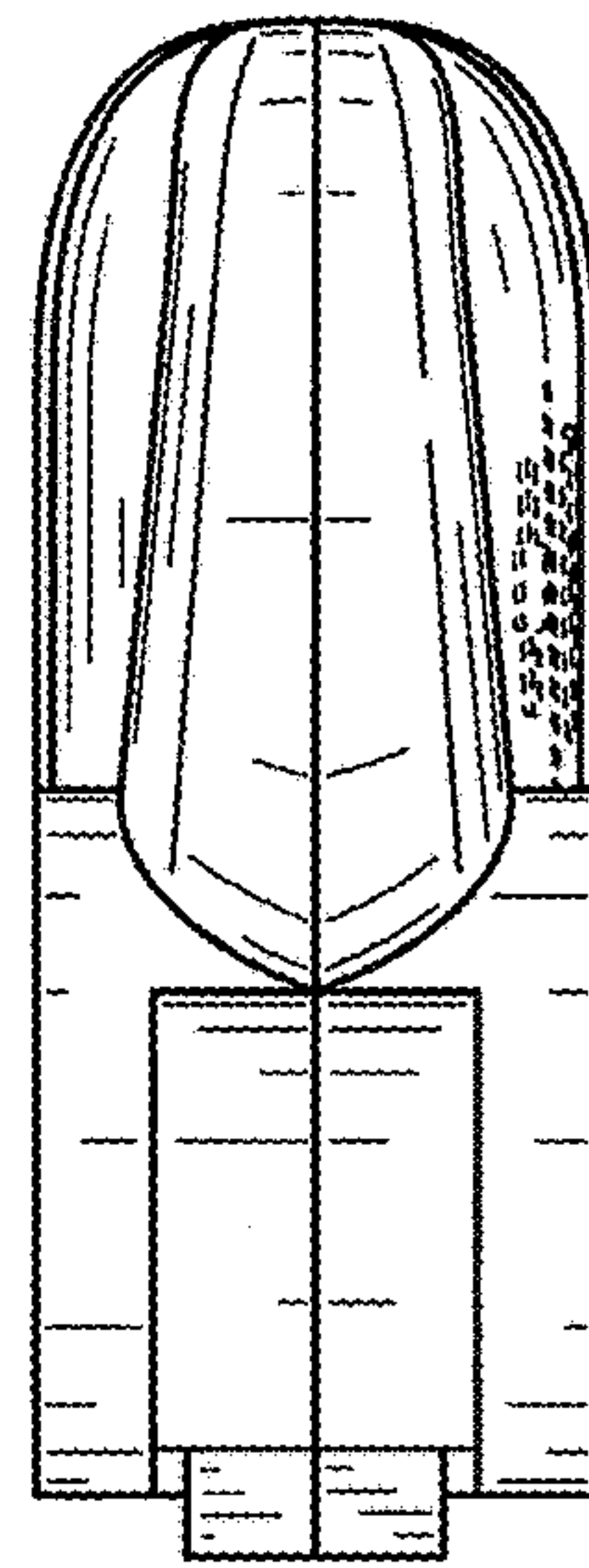


FIG. 5

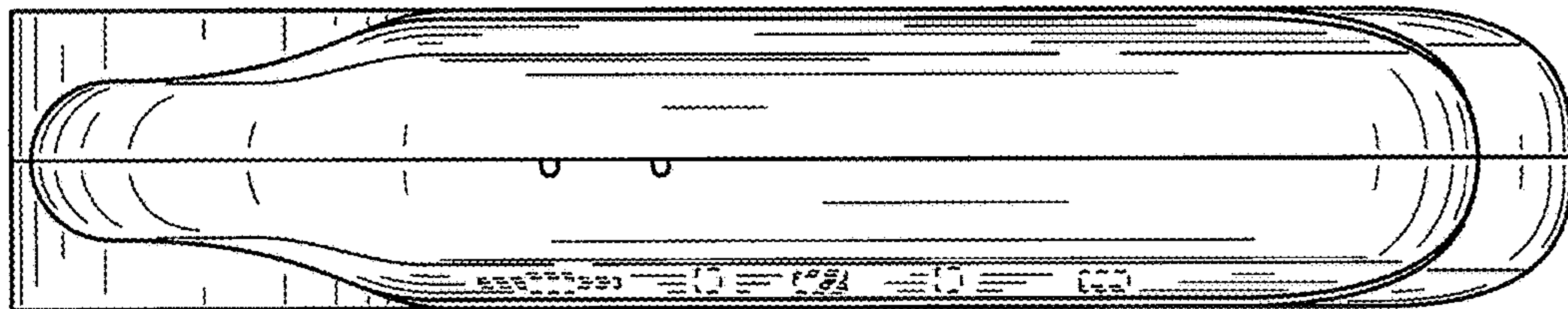


FIG. 6

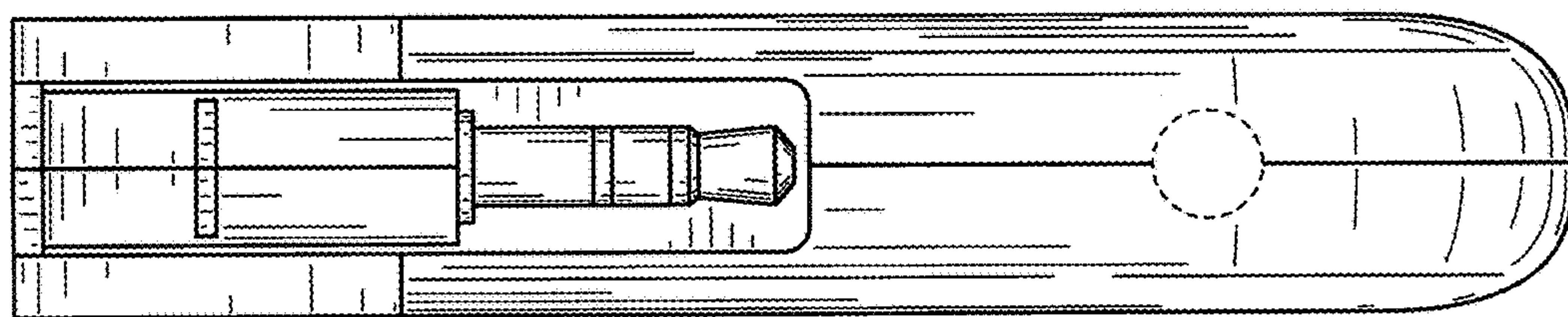


FIG. 7