



US00D780725S

(12) **United States Design Patent**
Kim et al.

(10) **Patent No.:** **US D780,725 S**
(45) **Date of Patent:** **** Mar. 7, 2017**

- (54) **ADAPTOR FOR MOBILE PHONE**
- (71) Applicant: **LG ELECTRONICS INC.**, Seoul (KR)
- (72) Inventors: **Sungwoo Kim**, Seoul (KR); **Jonghak Lee**, Seoul (KR); **Seunghyun Ji**, Seoul (KR)
- (73) Assignee: **LG ELECTRONICS INC.**, Seoul (KR)
- (**) Term: **15 Years**
- (21) Appl. No.: **29/535,169**
- (22) Filed: **Aug. 4, 2015**
- (30) **Foreign Application Priority Data**

Feb. 5, 2015 (KR) 30-2015-0006439

- (51) **LOC (10) Cl.** **14-03**
- (52) **U.S. Cl.**

USPC **D14/240**; D13/110; D14/435.1

- (58) **Field of Classification Search**

USPC D14/240, 242, 357, 358, 140-140.9, 155, D14/137, 139, 243, 433, 435.1, 480.5, D14/480.6, 480.7; D13/110, 147

CPC H04L 12/00; H03K 17/00; H04W 88/00; H04W 88/005; H04W 88/02; H04W 88/08; H04W 88/085; H04W 88/10; H04W 88/12; H04W 88/14; H04B 1/38

See application file for complete search history.

- (56) **References Cited**

U.S. PATENT DOCUMENTS

- D406,259 S * 3/1999 Lindahl D13/110
- D472,555 S * 4/2003 Tomino D13/133
- D484,853 S * 1/2004 Alviar D13/110
- D565,558 S * 4/2008 Liu D14/240
- D572,250 S * 7/2008 Yang D14/435.1

- D575,775 S * 8/2008 Sekine D13/137.3
- D582,418 S * 12/2008 Kim D14/435.1
- 7,787,238 B2 * 8/2010 Liao H01R 31/065
174/50
- D634,269 S * 3/2011 Griffin, Jr. D13/103
(Continued)

OTHER PUBLICATIONS

Amazon. <URL: <https://www.amazon.com/LENTION-Rotatable-Charger-Adapter-Foldable/dp/B00E19T60G>>. First customer review dated Mar. 3, 2015. USB Adapter.*

(Continued)

Primary Examiner — Bridget L Eland

Assistant Examiner — Lauren McVey

(74) *Attorney, Agent, or Firm* — Birch, Stewart, Kolasch & Birch, LLP

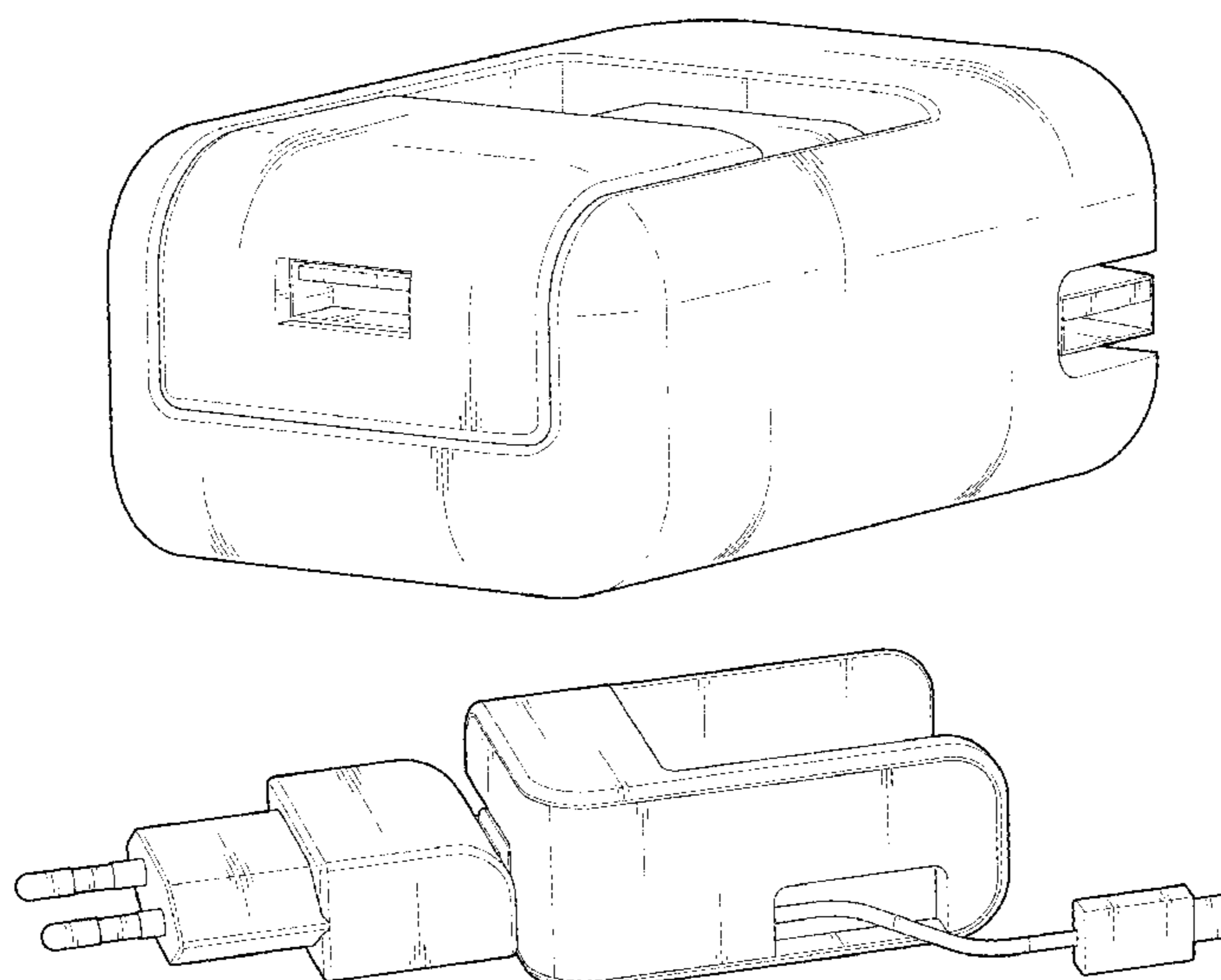
- (57) **CLAIM**

The ornamental design for an adaptor for mobile phone, as shown and described.

DESCRIPTION

FIG. 1 is a front perspective view of an adaptor for mobile phone showing our new design;
 FIG. 2 is a front view thereof;
 FIG. 3 is a rear view thereof;
 FIG. 4 is a left side view thereof;
 FIG. 5 is a right side view thereof;
 FIG. 6 is a top plan view thereof;
 FIG. 7 is a bottom plan view thereof;
 FIG. 8 is a rear perspective view thereof showing the USB port and the charging cable in an alternate state; and,
 FIG. 9 is another rear perspective view thereof showing the USB port and the charging cable in an alternate state and the top left side structure is shown removed and in an alternate state.

1 Claim, 5 Drawing Sheets



(56)

References Cited

U.S. PATENT DOCUMENTS

| | | | | | | |
|-----------|----|---|---------|------------|-------|-------------|
| D638,357 | S | * | 5/2011 | Sasada | | D13/110 |
| D639,238 | S | * | 6/2011 | Serrano | | D13/110 |
| D639,789 | S | * | 6/2011 | Kim | | D14/242 |
| D642,165 | S | * | 7/2011 | Kyriakides | | D14/240 |
| D654,923 | S | * | 2/2012 | Pan | | D14/480.6 |
| D697,029 | S | * | 1/2014 | Chiu | | D13/110 |
| D719,097 | S | * | 12/2014 | Lum | | D13/139.1 |
| D731,970 | S | * | 6/2015 | Kamath | | D13/110 |
| D733,106 | S | * | 6/2015 | Frei | | D14/240 |
| 9,153,985 | B1 | * | 10/2015 | Gjovik | | H02J 7/0042 |
| D762,172 | S | * | 7/2016 | Pignotti | | D13/108 |

OTHER PUBLICATIONS

World Standards <URL: <http://www.worldstandards.eu/electricity/plugs-and-sockets/n/>>. Visited Sep. 30, 2016. Power plug and outlet types.*

Stay Online. <URL:<http://www.stayonline.com/reference-international-plugs.aspx>>. Visited Sep. 30, 2016. International Standards Reference Chart for electrical plug shapes.*

* cited by examiner

FIG. 1

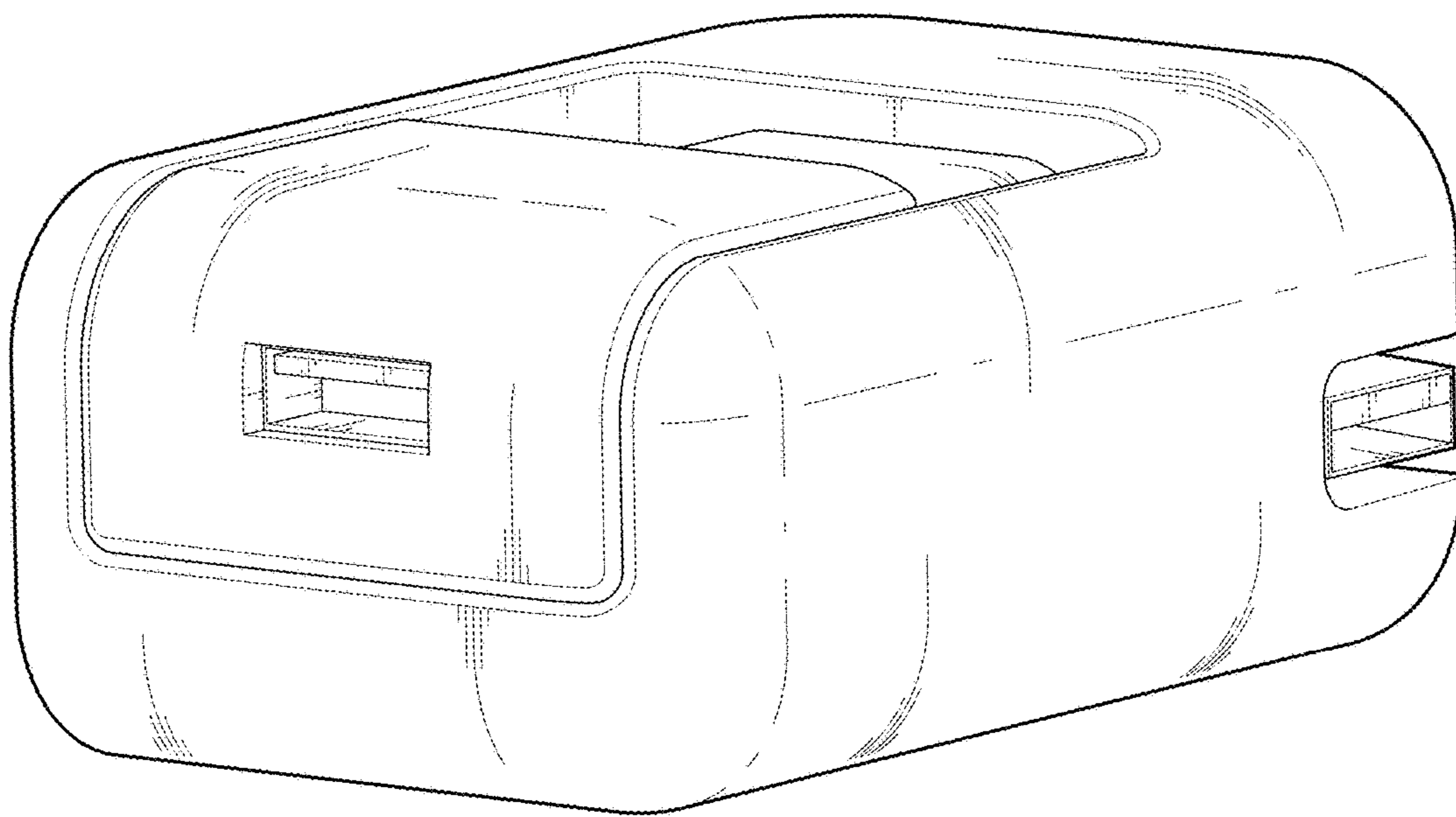


FIG. 2

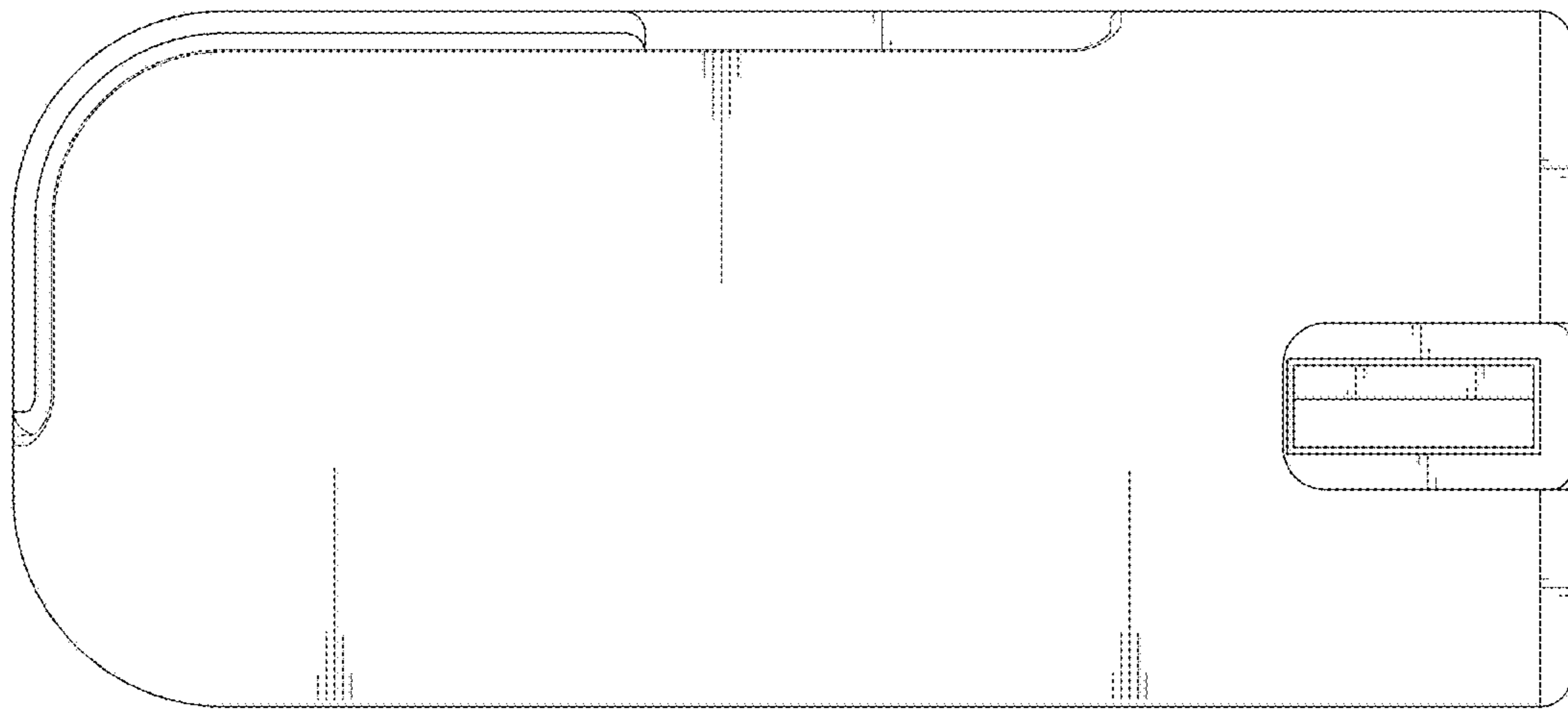


FIG. 3

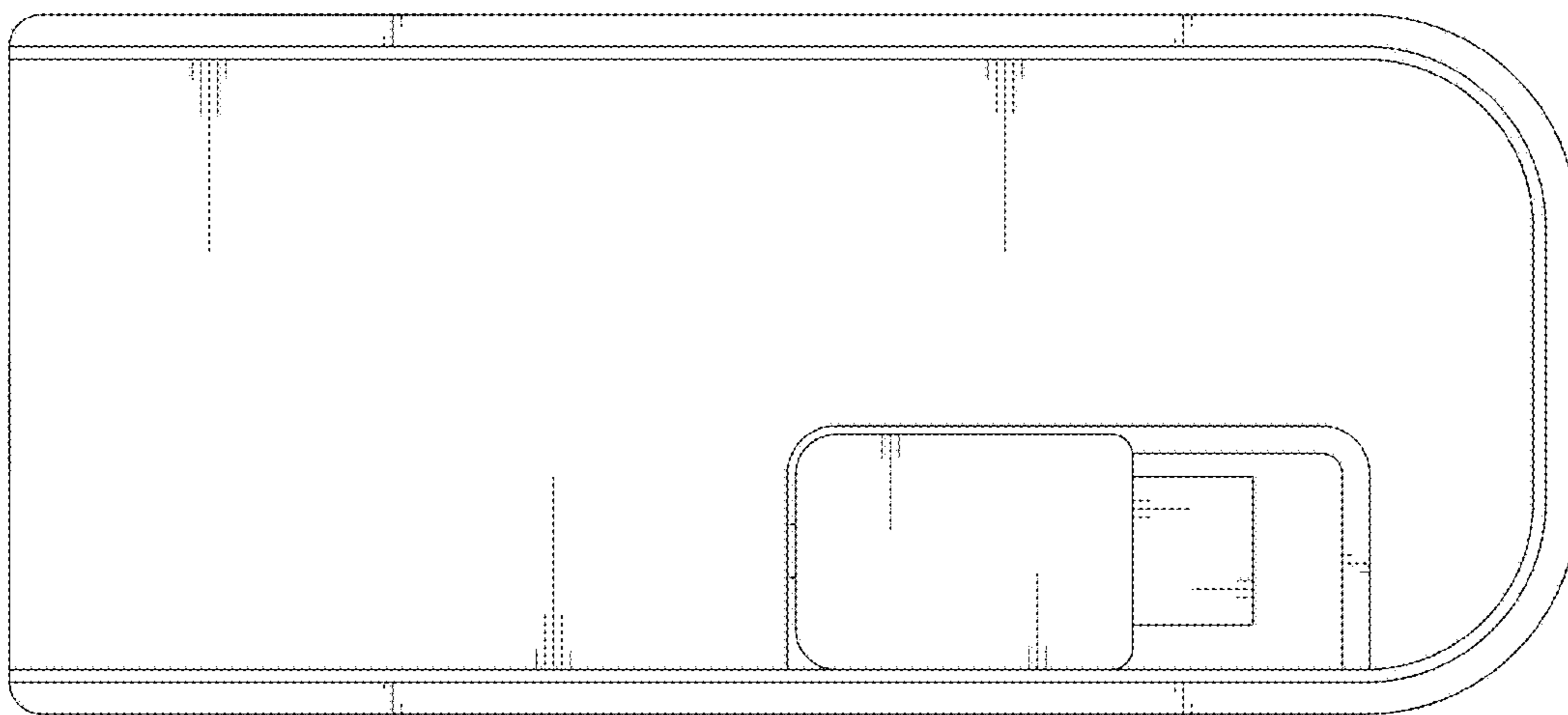


FIG. 4

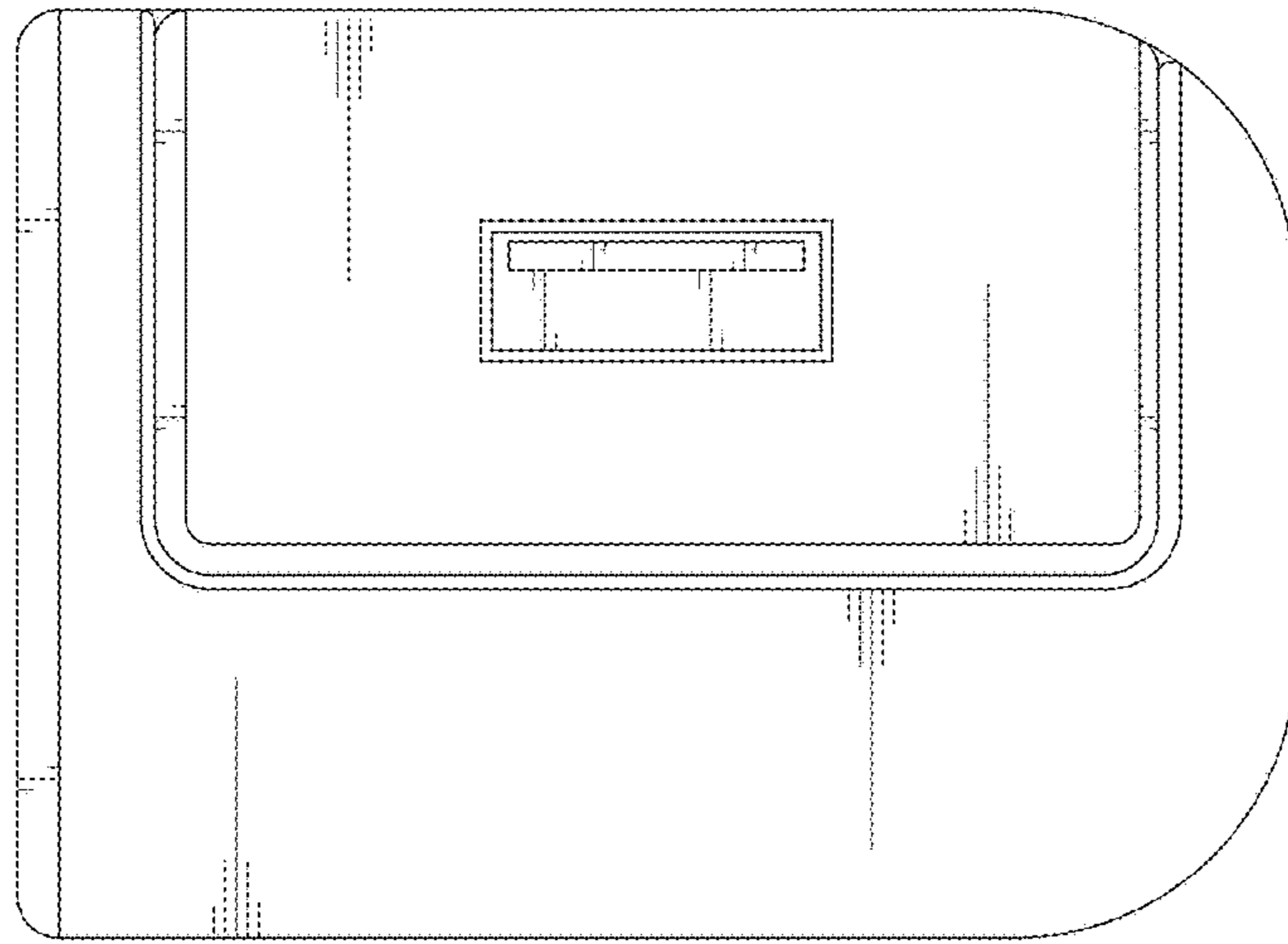


FIG. 5

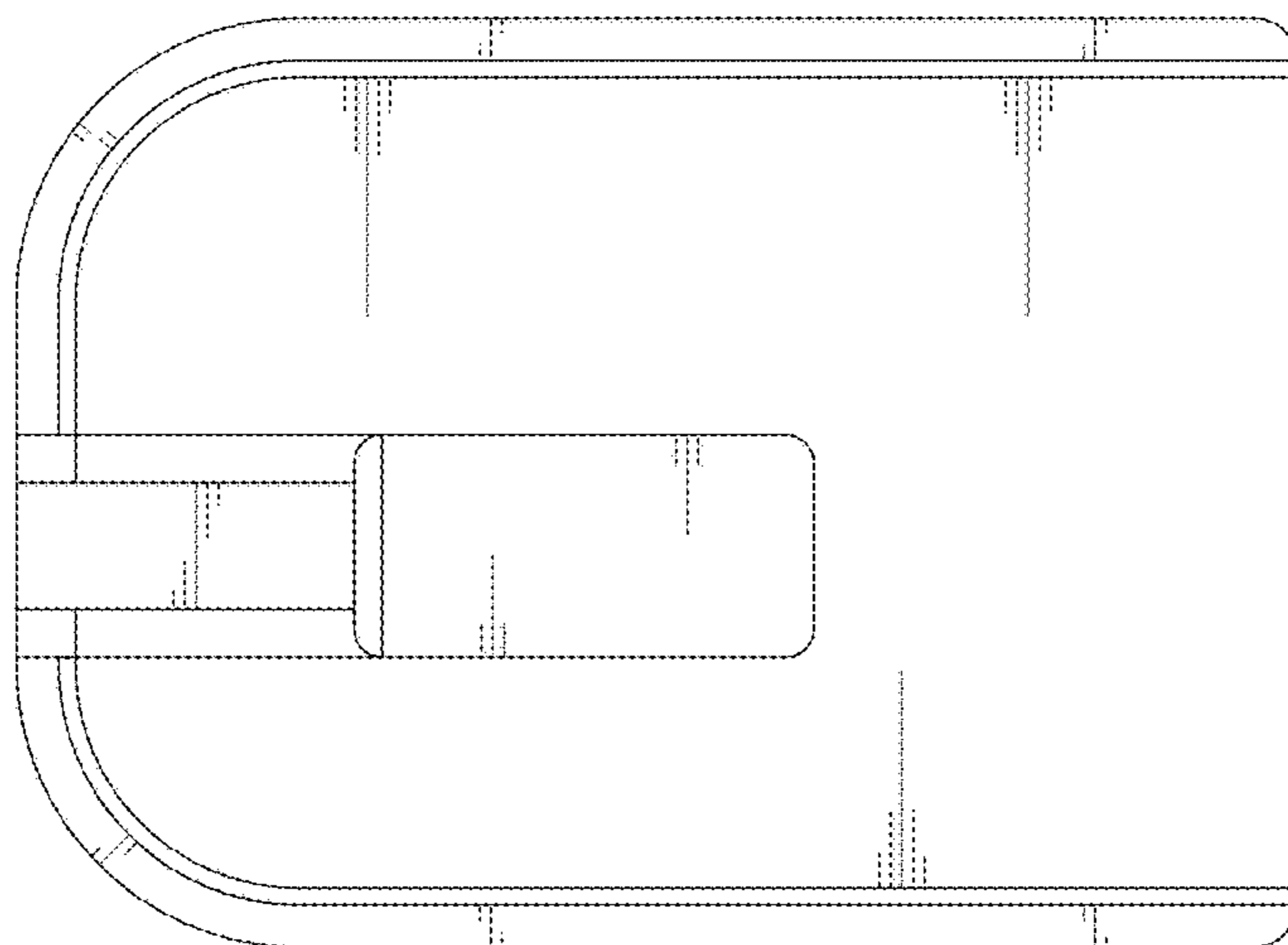


FIG. 6

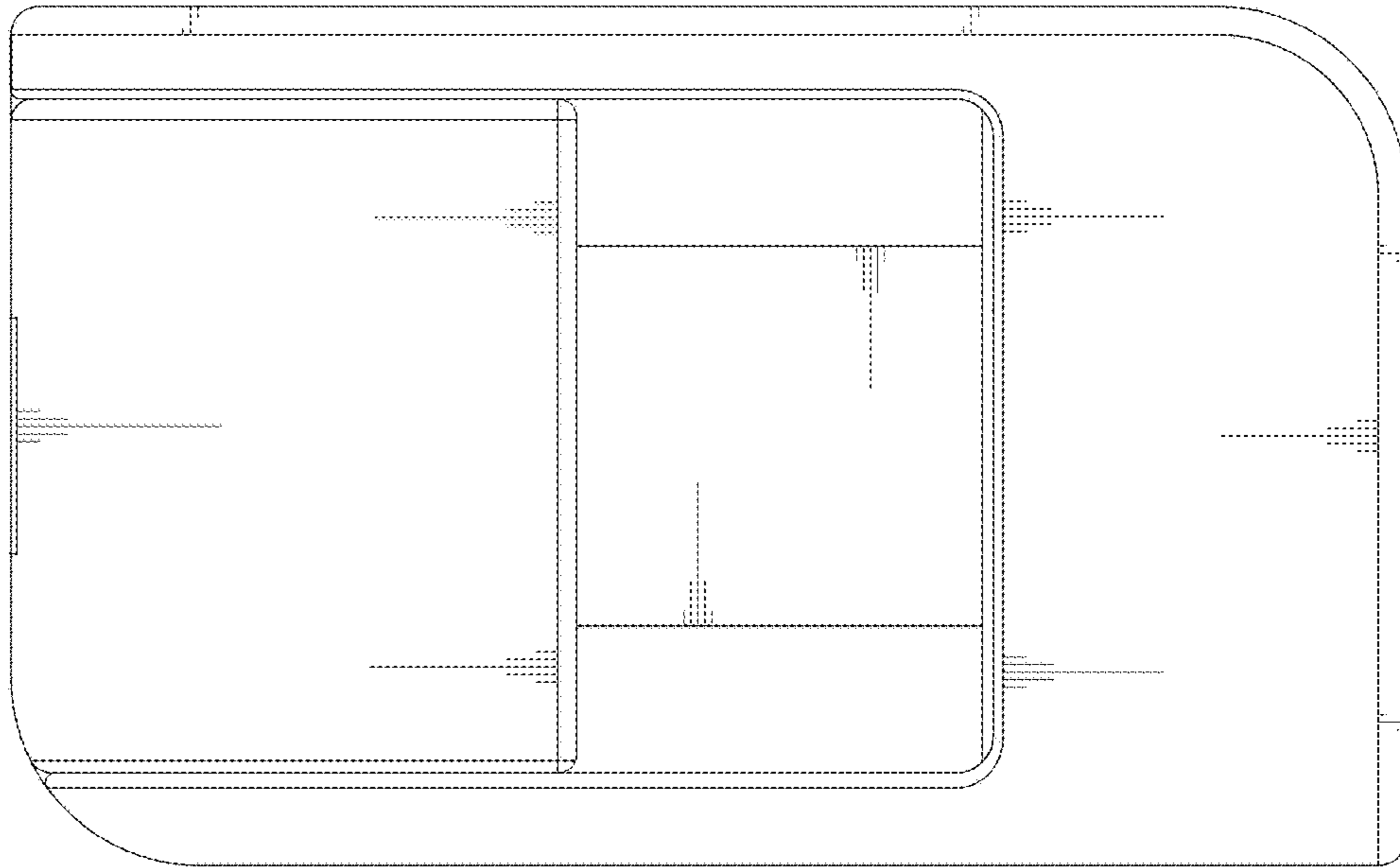


FIG. 7

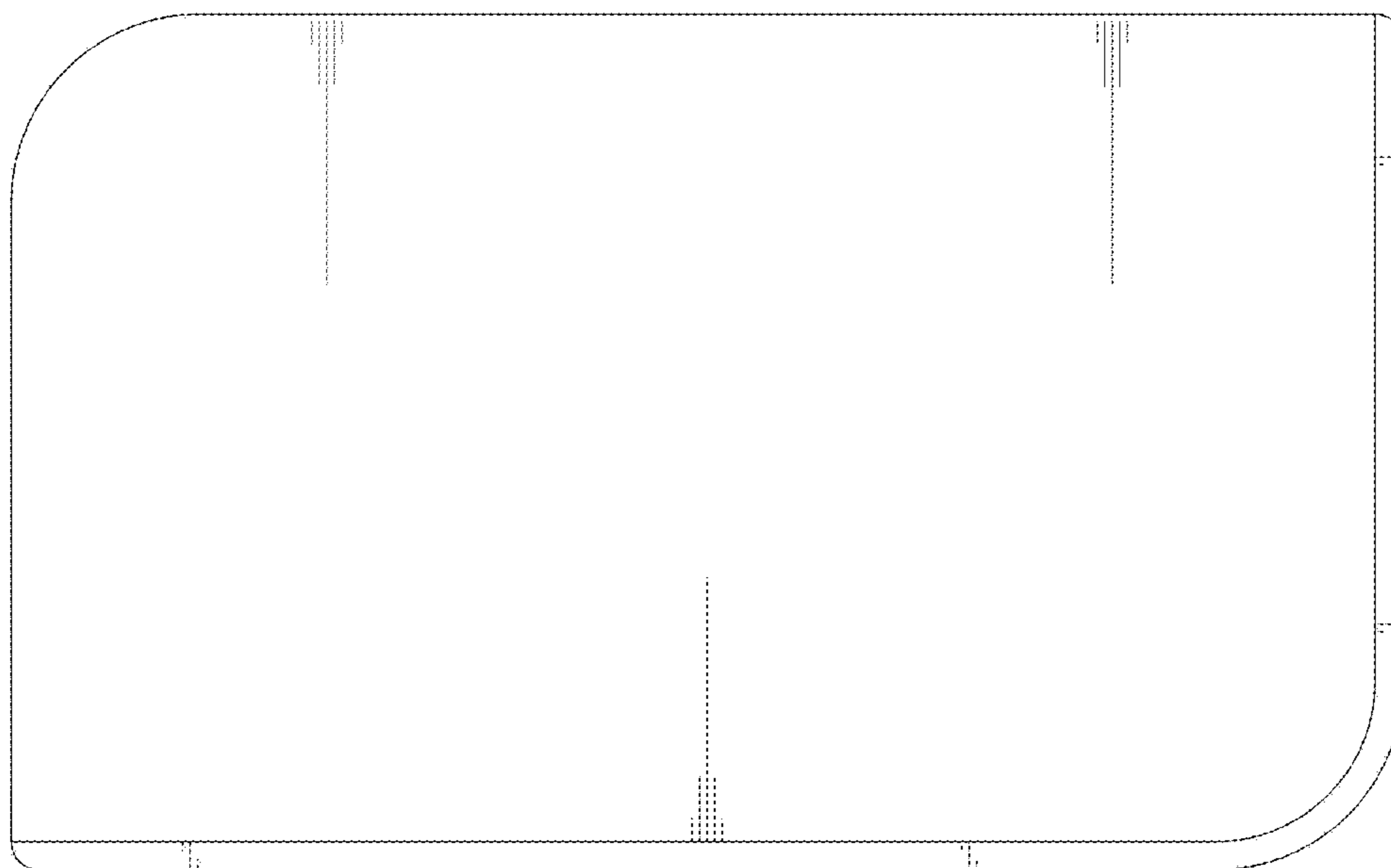


FIG. 8

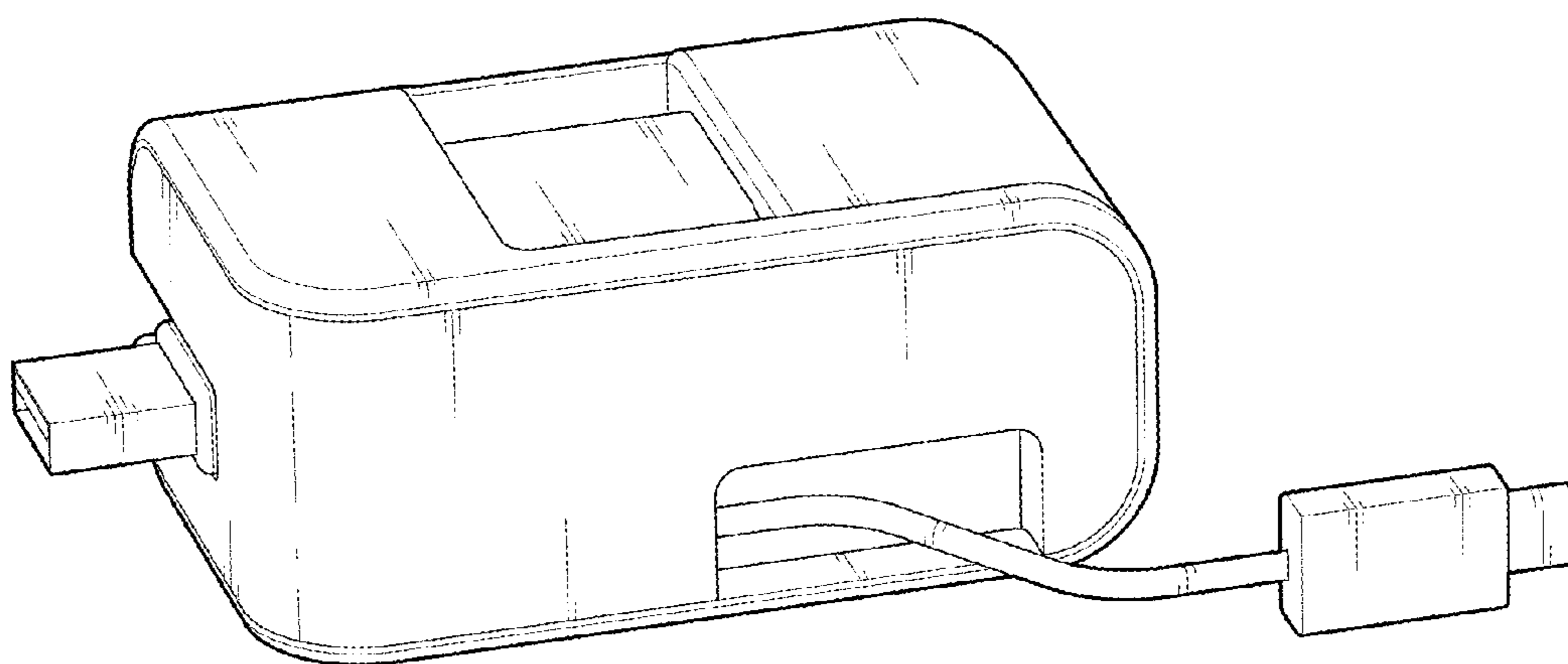


FIG. 9

