



US00D780721S

(12) **United States Design Patent**
Brunner et al.

(10) **Patent No.:** **US D780,721 S**

(45) **Date of Patent:** **** Mar. 7, 2017**

- (54) **EARPIECE**
- (71) Applicant: **Apple Inc.**, Cupertino, CA (US)
- (72) Inventors: **Robert Brunner**, San Francisco, CA (US); **Christopher Kuh**, San Francisco, CA (US); **Achille Biteau**, San Francisco, CA (US)
- (73) Assignee: **APPLE INC.**, Cupertino, CA (US)
- (**) Term: **15 Years**
- (21) Appl. No.: **29/533,509**
- (22) Filed: **Jul. 17, 2015**

- D421,755 S 3/2000 Pitel
- 6,101,260 A 8/2000 Jensen et al.
- D436,623 S * 1/2001 Schmidt D19/171
- D443,261 S 6/2001 Yuyama
- D460,749 S 7/2002 Liu
- 6,427,018 B1 7/2002 Keliiliki
- D471,889 S 3/2003 Rath et al.
- 6,771,790 B2 8/2004 Liu
- D501,196 S 1/2005 Dyer et al.
- 6,868,284 B2 3/2005 Bae
- D510,085 S 9/2005 Suzuki
- D510,575 S 10/2005 Leong
- D528,531 S 9/2006 Rose et al.

(Continued)

Primary Examiner — Paula Greene

(74) *Attorney, Agent, or Firm* — Sterne, Kessler, Goldstein & Fox P.L.L.C.

Related U.S. Application Data

- (63) Continuation of application No. 29/490,934, filed on May 15, 2014, now Pat. No. Des. 734,744, and a continuation of application No. 29/490,932, filed on May 15, 2014, now Pat. No. Des. 743,945, and a continuation of application No. 29/490,936, filed on May 15, 2014, now Pat. No. Des. 743,946.
- (51) **LOC (10) Cl.** **14-01**
- (52) **U.S. Cl.**
USPC **D14/223**
- (58) **Field of Classification Search**
USPC D14/223, 205; 181/129, 130, 135;
379/430, 431; 381/380, 381; 455/90.3,
455/575.1; D19/123
CPC H04R 1/10; H04R 25/00; H04R 1/1016;
H04R 1/1066
See application file for complete search history.

(57) **CLAIM**

The ornamental design for an earpiece, as shown and described.

DESCRIPTION

FIG. 1 is a perspective view of an earpiece showing our new design;
 FIG. 2 is a front view thereof;
 FIG. 3 is a rear view thereof;
 FIG. 4 is a right side view thereof;
 FIG. 5 is a left side view thereof;
 FIG. 6 is a top view thereof; and,
 FIG. 7 is a bottom view thereof.

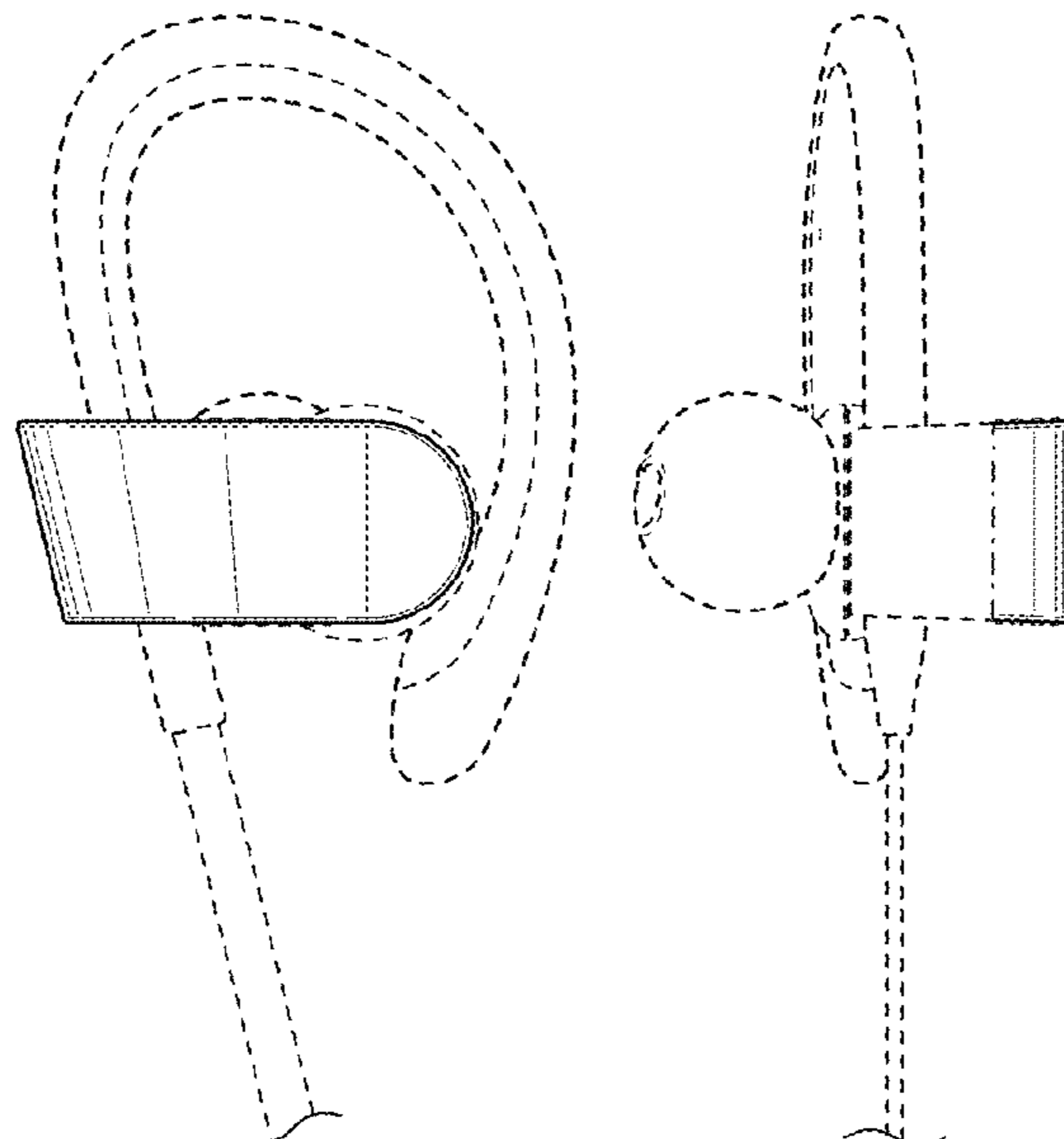
The dashed broken lines in the figures show portions of the earpiece that form no part of the claimed design.
 The dot-dash broken lines in the figures show boundaries that form no part of the claimed design.
 The shade lines in the figures show contour and not surface ornamentation.

(56) **References Cited**

U.S. PATENT DOCUMENTS

- D304,191 S * 10/1989 Sekine D14/192
- 5,210,792 A 5/1993 Kajihara

1 Claim, 2 Drawing Sheets



(56)

References Cited

U.S. PATENT DOCUMENTS

D538,269 S * 3/2007 Tragatschnig D14/223
 D538,270 S * 3/2007 Kim D14/223
 D538,271 S * 3/2007 Kim D14/223
 D538,792 S * 3/2007 Kim D14/223
 D539,787 S * 4/2007 Kim D14/223
 D542,267 S * 5/2007 Cha D14/206
 D543,968 S 6/2007 Wong
 7,231,056 B2 6/2007 Chen
 D556,735 S 12/2007 Yeo et al.
 D575,772 S 8/2008 Schultz et al.
 D584,294 S * 1/2009 Nam D14/223
 D593,075 S 5/2009 Williams et al.
 D597,084 S 7/2009 Gondo
 D601,126 S 9/2009 Christopher et al.
 D603,847 S 11/2009 Chung
 D606,048 S 12/2009 Soetejo et al.
 7,648,005 B2 * 1/2010 Leong A61F 11/08
 128/867
 7,708,110 B2 5/2010 Leong et al.
 D617,780 S 6/2010 Jaakkola et al.
 D618,669 S 6/2010 Johnson et al.

D624,529 S 9/2010 Huang
 7,841,446 B2 11/2010 Leong et al.
 D631,470 S 1/2011 Yoneyama et al.
 D635,960 S 4/2011 Gondo et al.
 D638,409 S * 5/2011 Walter D14/223
 8,090,135 B2 1/2012 Lin
 8,265,328 B2 9/2012 Milde et al.
 D668,631 S * 10/2012 Katsumata D14/205
 D686,196 S 7/2013 Lee et al.
 D695,275 S 12/2013 Chee
 D696,275 S 12/2013 Tagliabue et al.
 D699,213 S 2/2014 Burgett et al.
 D710,333 S 8/2014 Davies et al.
 D712,382 S * 9/2014 Brunner D14/223
 D713,385 S 9/2014 Burgett et al.
 D713,822 S 9/2014 Paradise et al.
 D725,637 S * 3/2015 Nakajima D14/223
 D734,744 S * 7/2015 Brunner D14/223
 D740,260 S * 10/2015 Brunner D14/223
 D741,299 S * 10/2015 Brunner D14/223
 D743,945 S * 11/2015 Brunner D14/223
 D743,946 S * 11/2015 Brunner D14/223
 2013/0216087 A1 8/2013 MacDonald

* cited by examiner

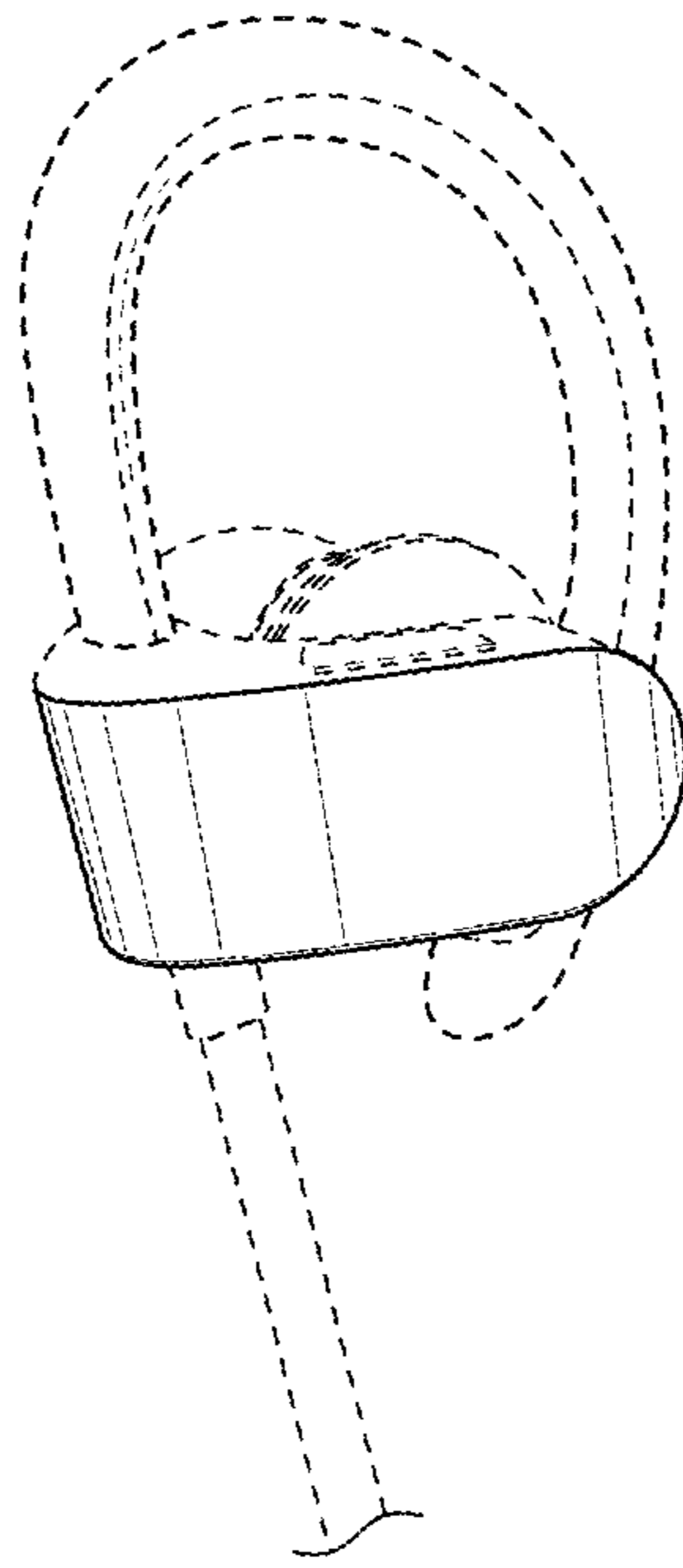


FIG. 1

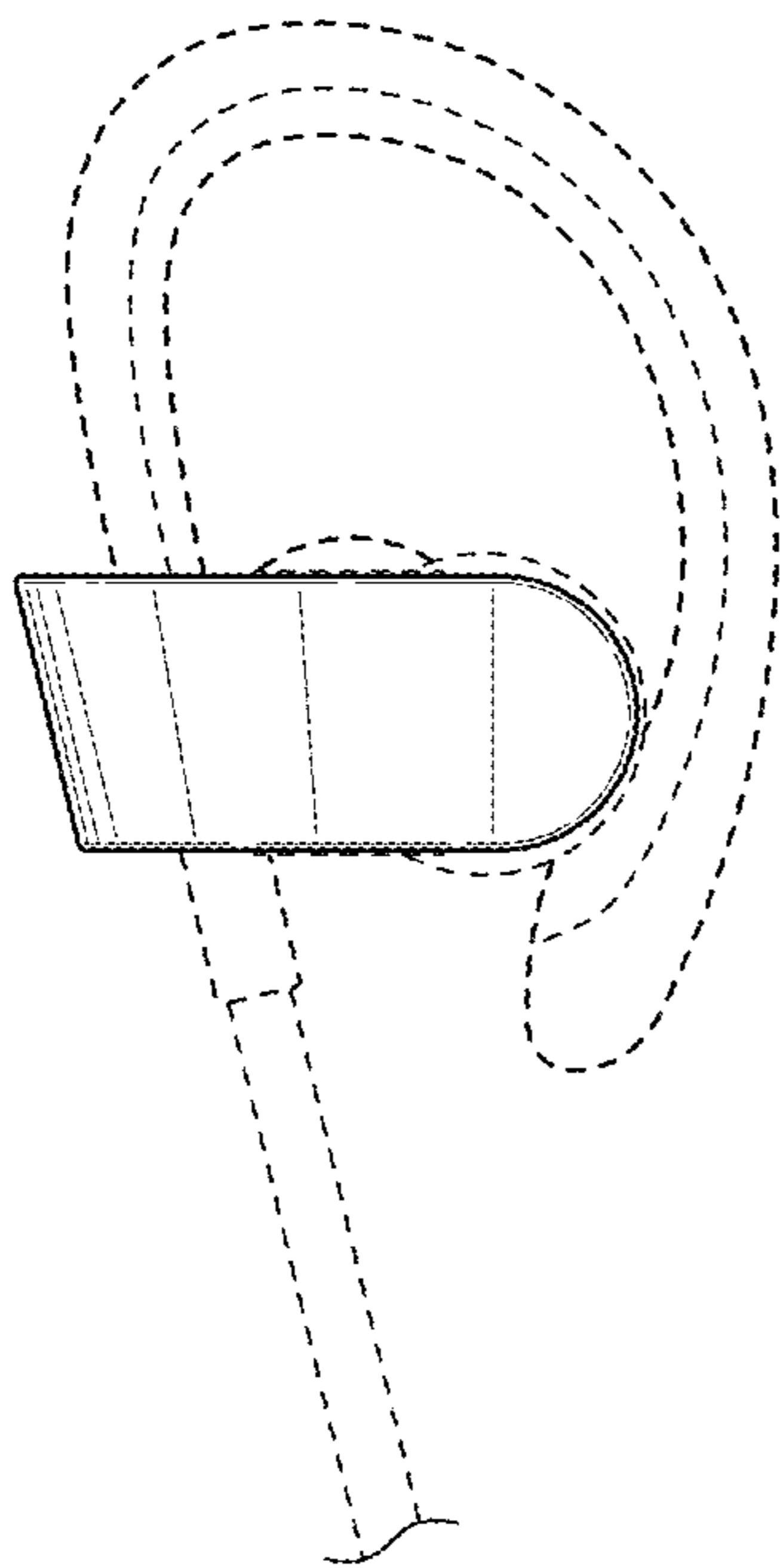


FIG. 2

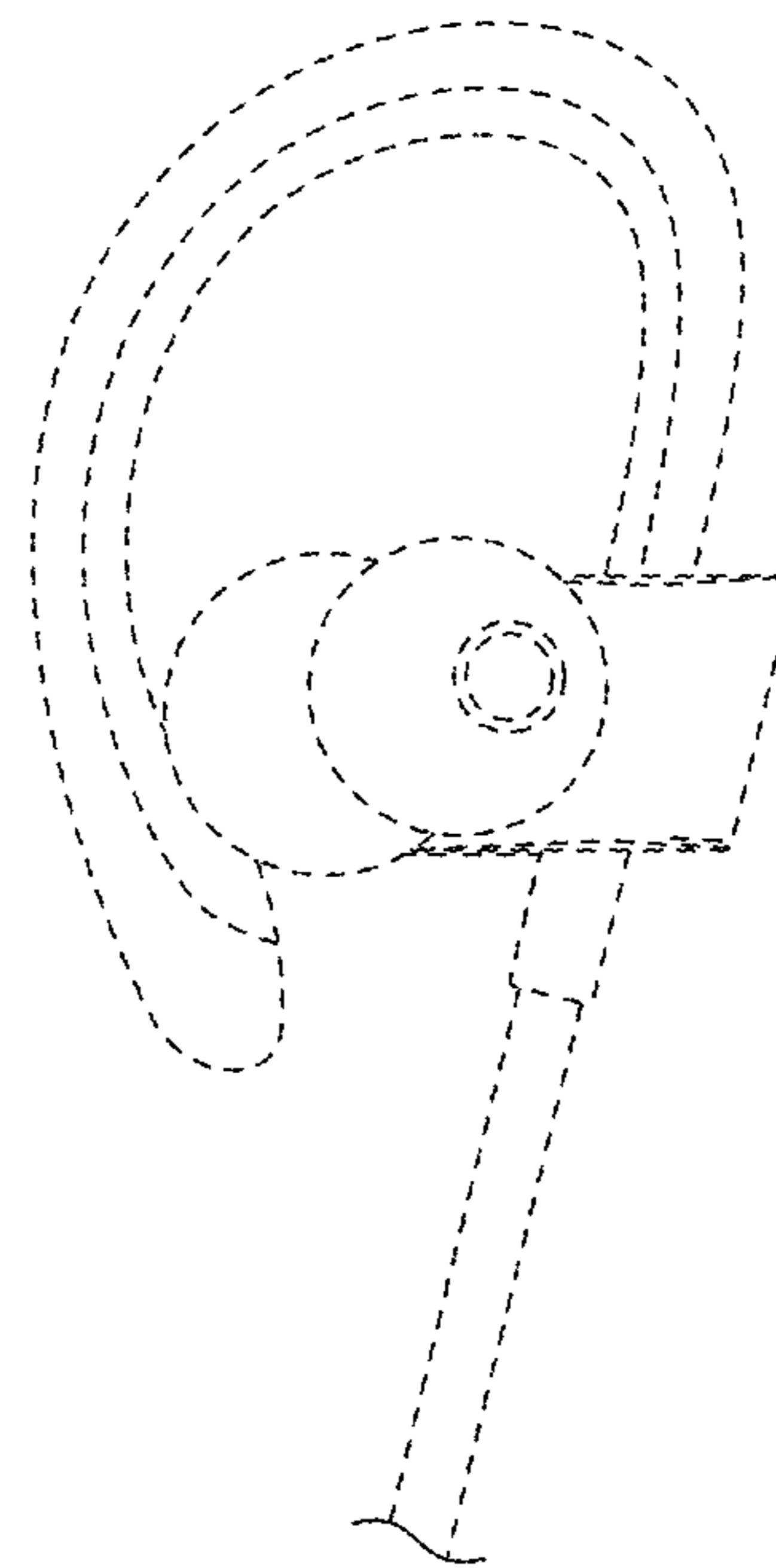


FIG. 3

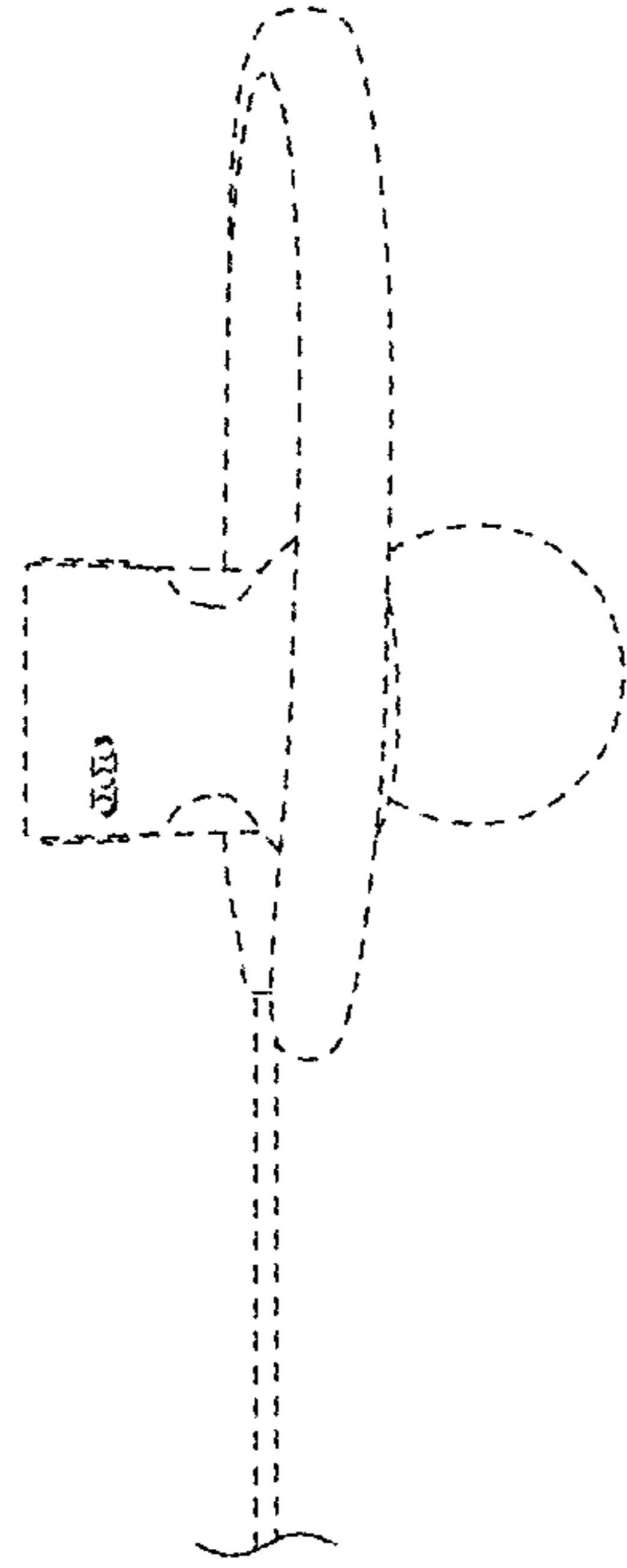


FIG. 4

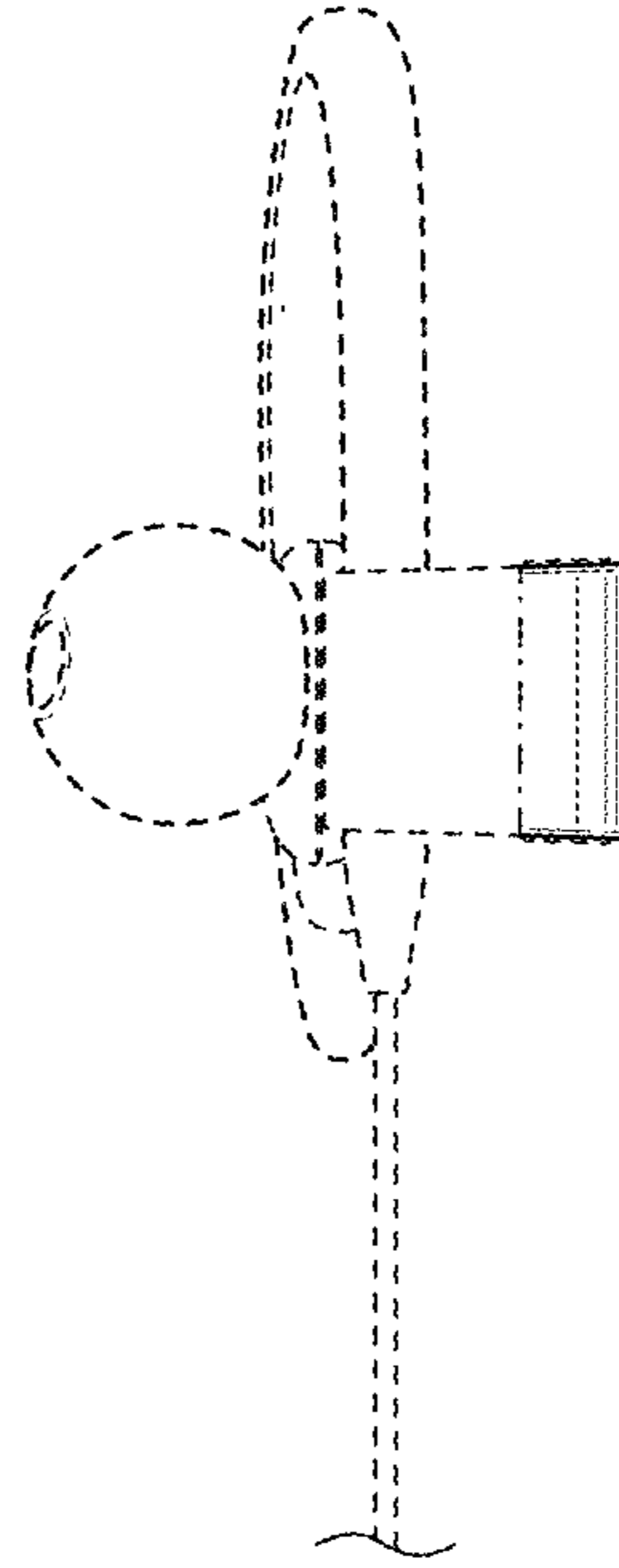


FIG. 5

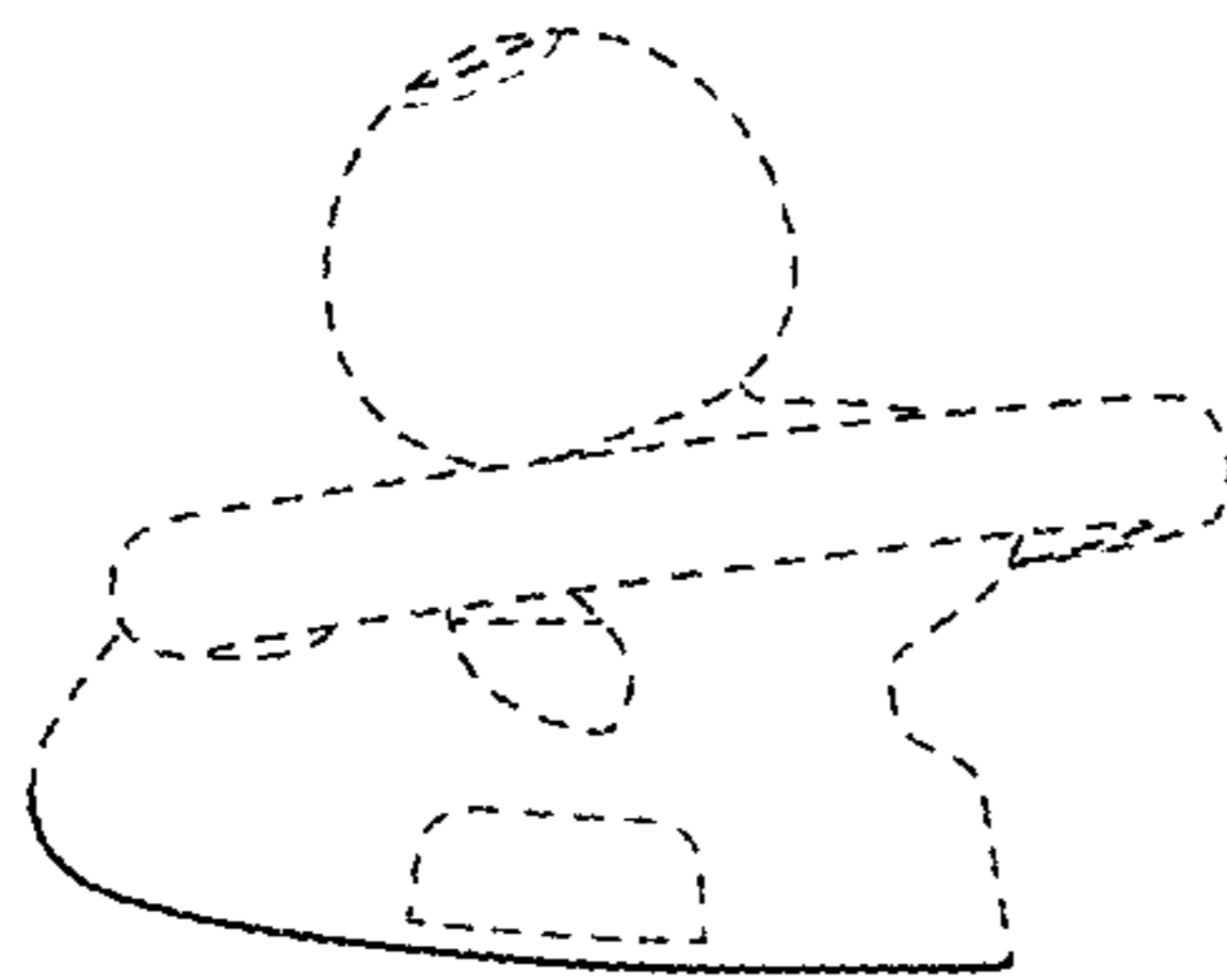


FIG. 6

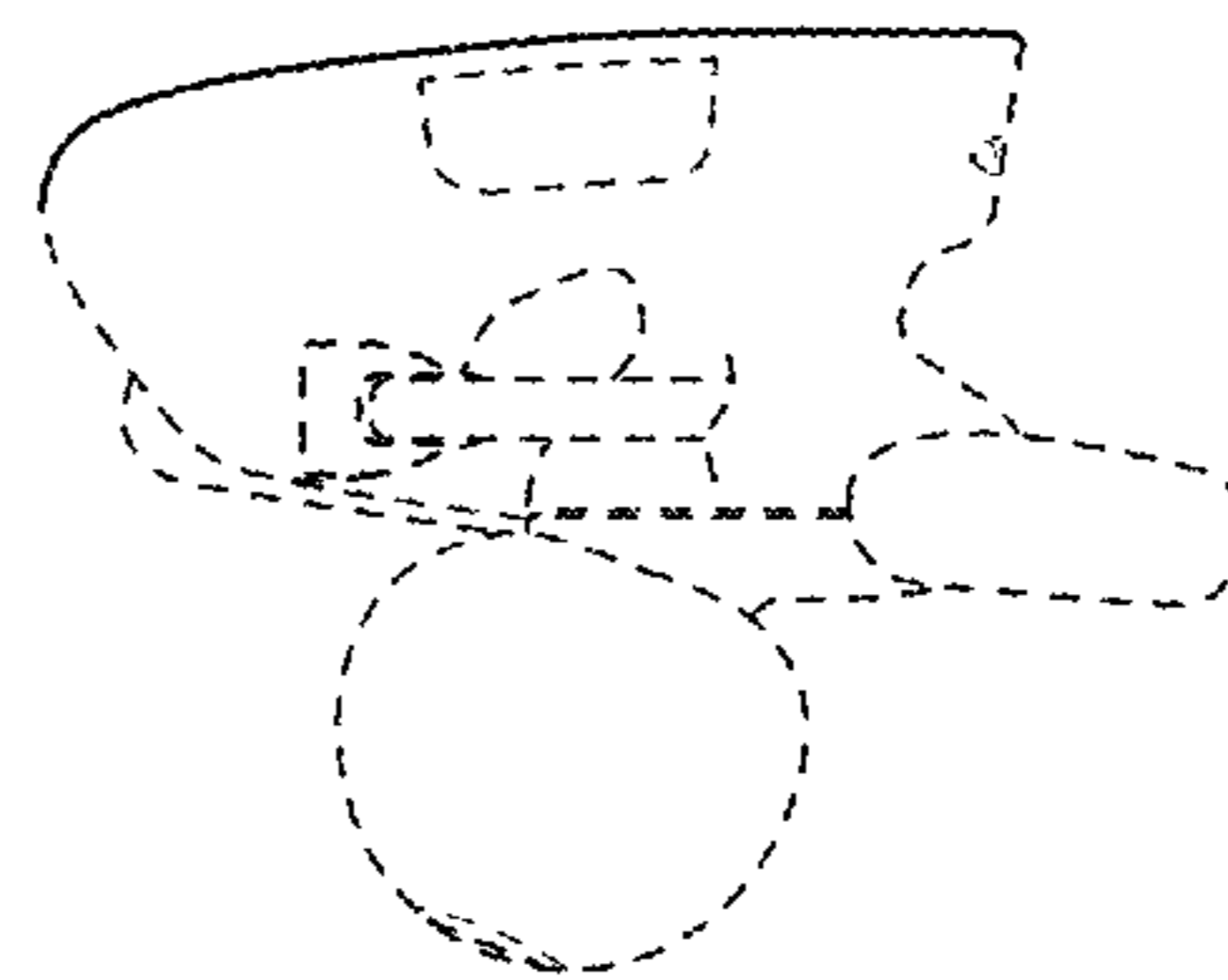


FIG. 7